



US00D530799S

(12) **United States Design Patent**
Soulier

(10) **Patent No.:** **US D530,799 S**

(45) **Date of Patent:** **** Oct. 24, 2006**

(54) **LAVATORY**

(75) Inventor: **Jean-Hugues Soulier**, Vaucresson (FR)

(73) Assignee: **Kohler France SAS**, Paris (FR)

(**) Term: **14 Years**

(21) Appl. No.: **29/220,853**

(22) Filed: **Jan. 7, 2005**

(51) **LOC (8) Cl.** **23-02**

(52) **U.S. Cl.** **D23/293.1**

(58) **Field of Classification Search** D23/272-274,
D23/284-285, 288-289, 291, 293.1, 303,
D23/308; 4/515-516, 519, 619, 650, 661
See application file for complete search history.

(56) **References Cited**

U.S. PATENT DOCUMENTS

2,599,529 A * 6/1952 Harvey 4/621
D295,671 S * 5/1988 Kohler, Jr. D23/293.1

OTHER PUBLICATIONS

DURAVIT, "Vanity Basins", web page from www.duravit.us, dated Jan. 7, 2005.

Villeroy & Boch, "Oblic Handwash", webpage from www.homeportfolio.com, dated Jan. 7, 2005.

* cited by examiner

Primary Examiner—Robert A. Delehanty

(74) *Attorney, Agent, or Firm*—Quarles & Brady LLP

(57) **CLAIM**

The ornamental design for a lavatory, as shown and described.

DESCRIPTION

In a preferred embodiment, the nature of this product is a lavatory for washing human body parts.

FIG. 1 is a top, left, front perspective view of a lavatory embodying my new design;

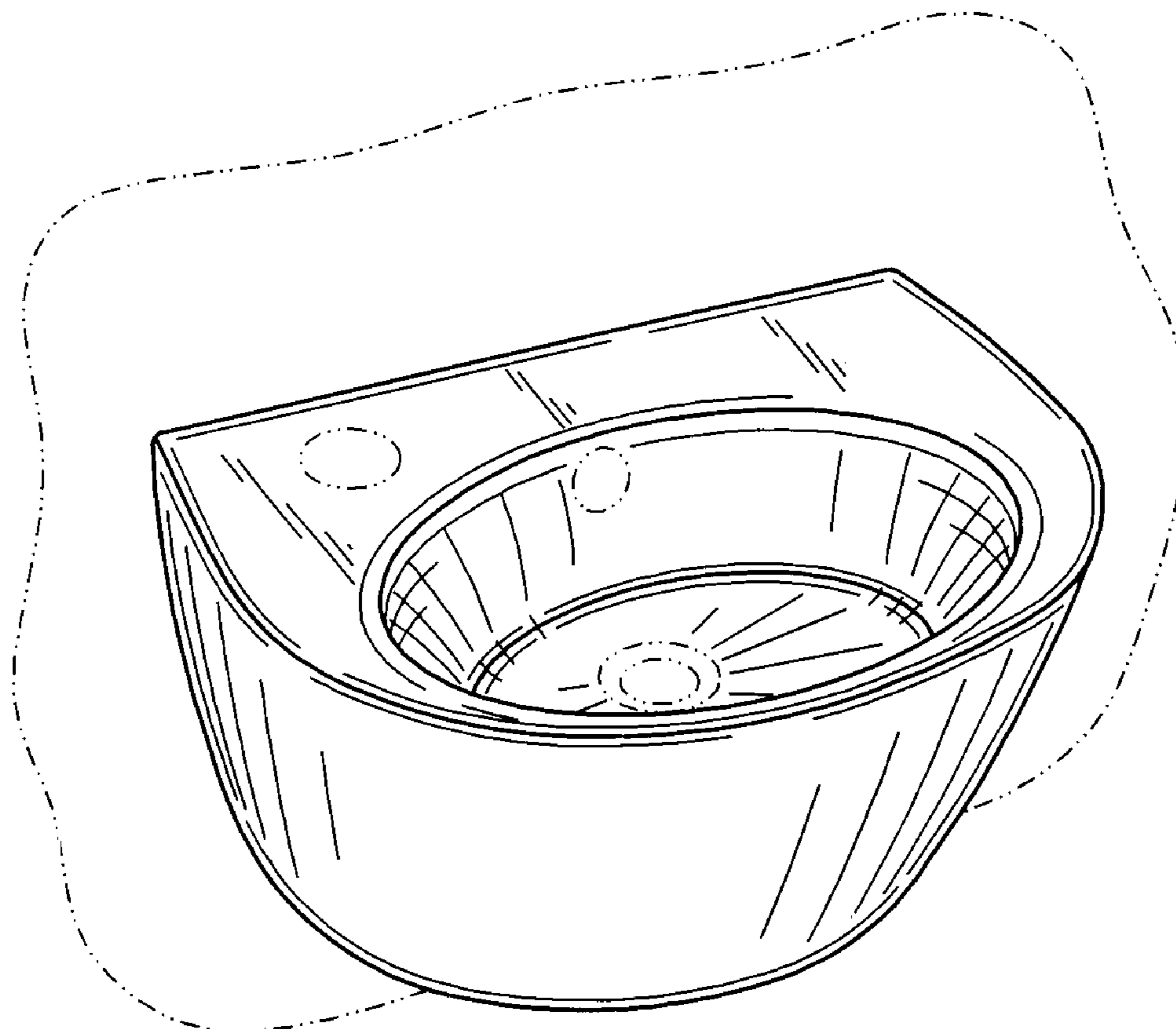
FIG. 2 is a top plan view thereof;

FIG. 3 is a front elevational view thereof; and,

FIG. 4 is a left side elevational view thereof, the right side elevational view thereof being a mirror image of the left side shown.

The broken line representations of holes and a drain in FIGS. 1 and 2 and wall environment in FIG. 1 are for the purpose of illustration only, and form no part of the claimed design.

1 Claim, 1 Drawing Sheet



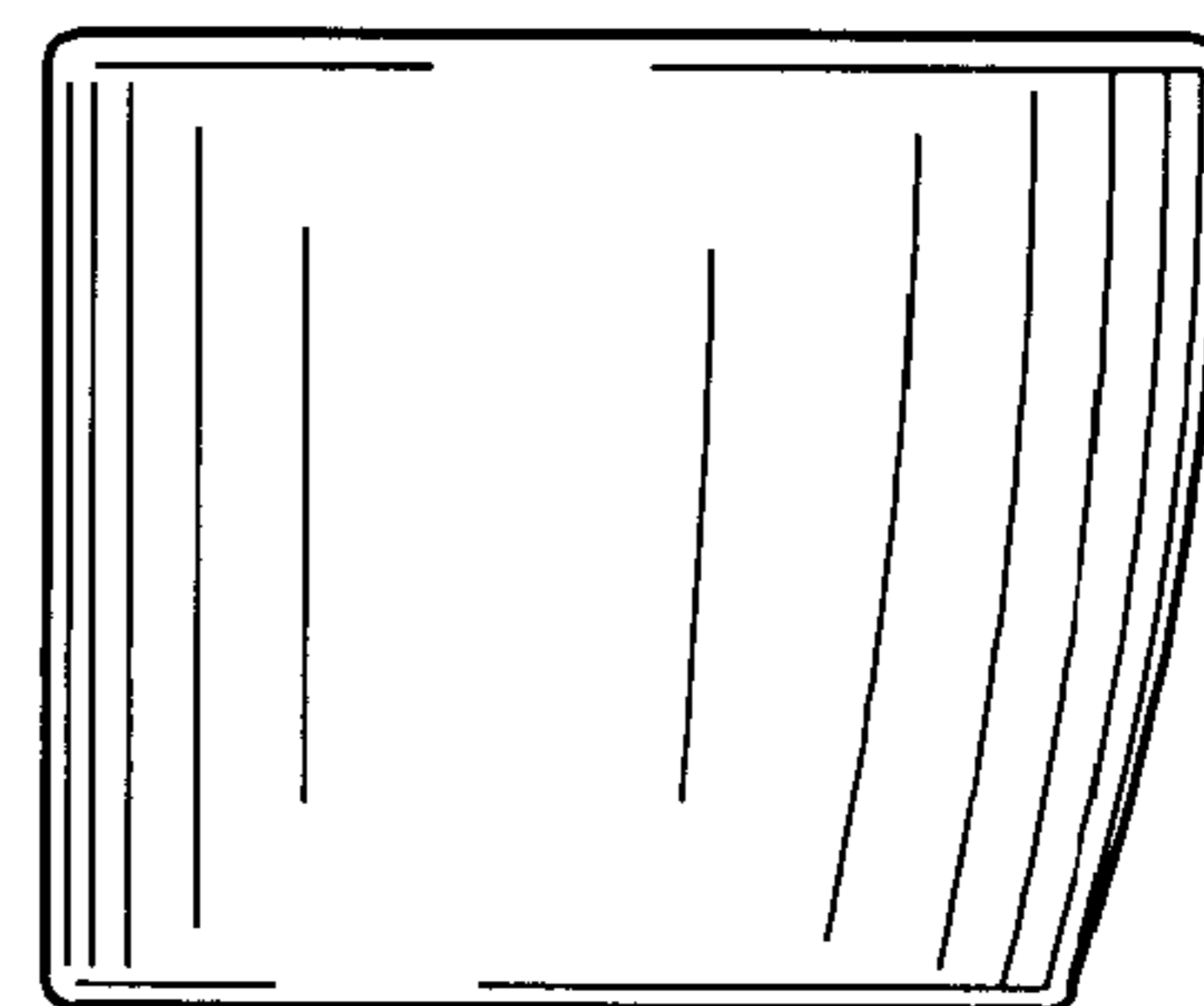
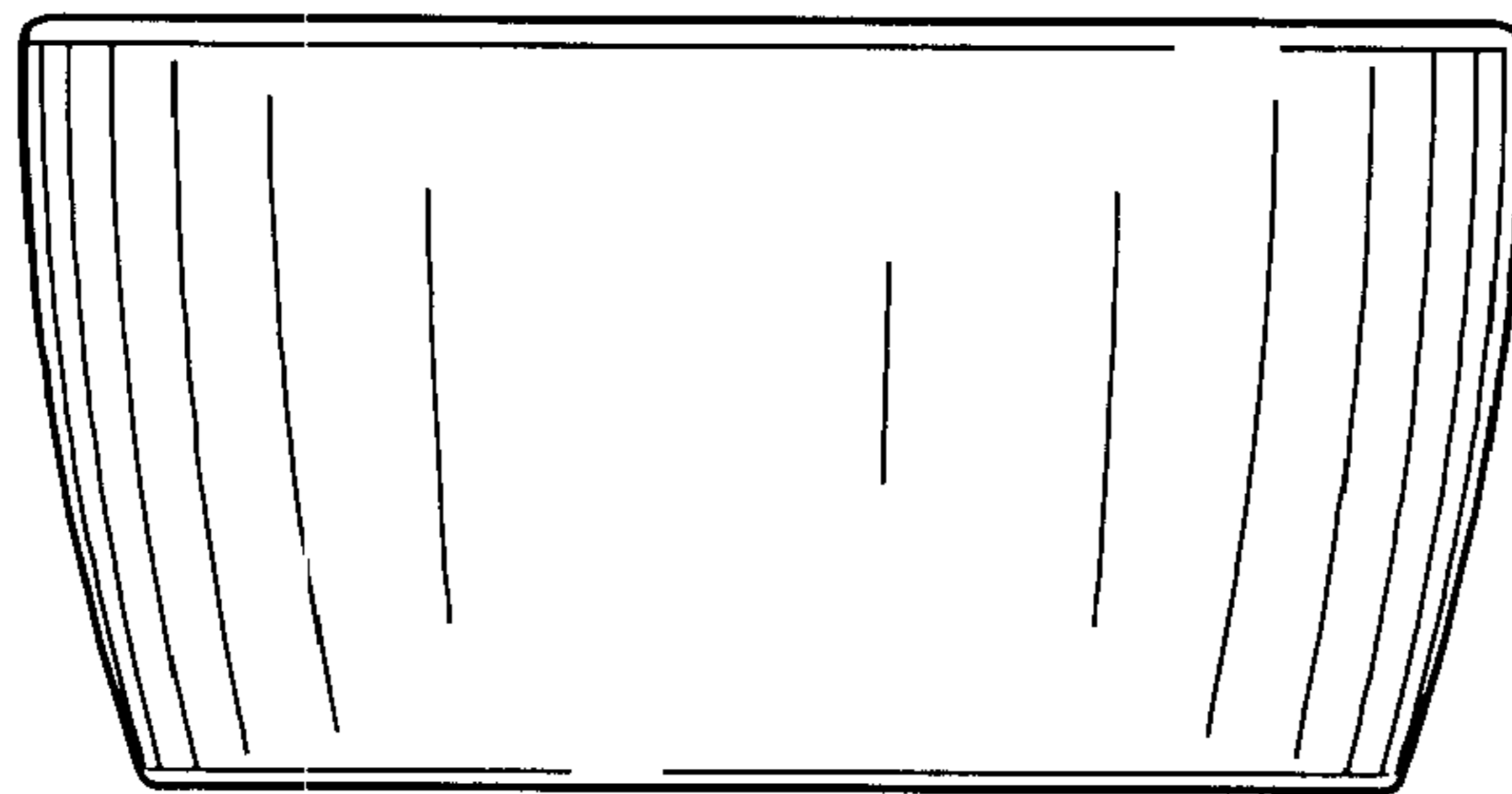
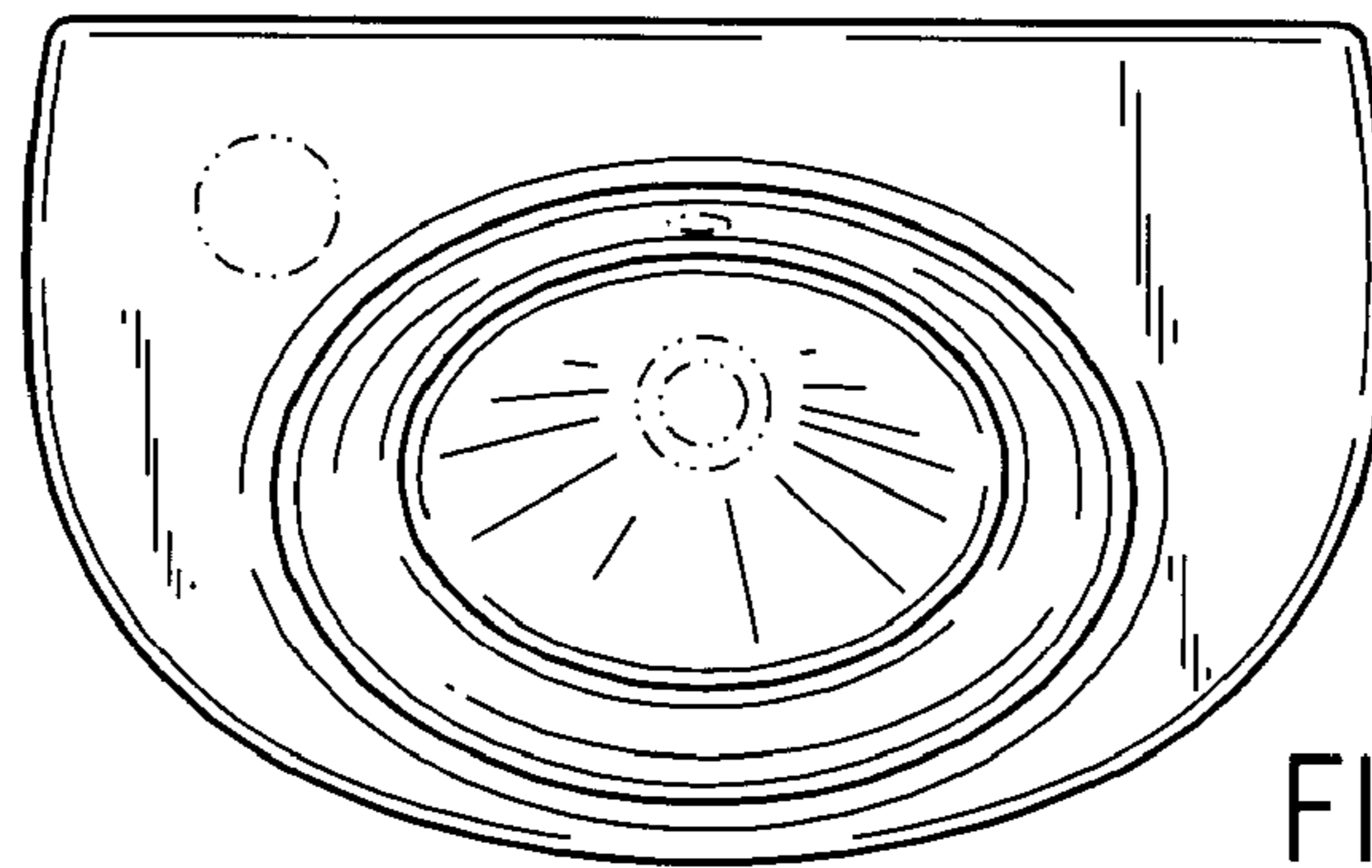
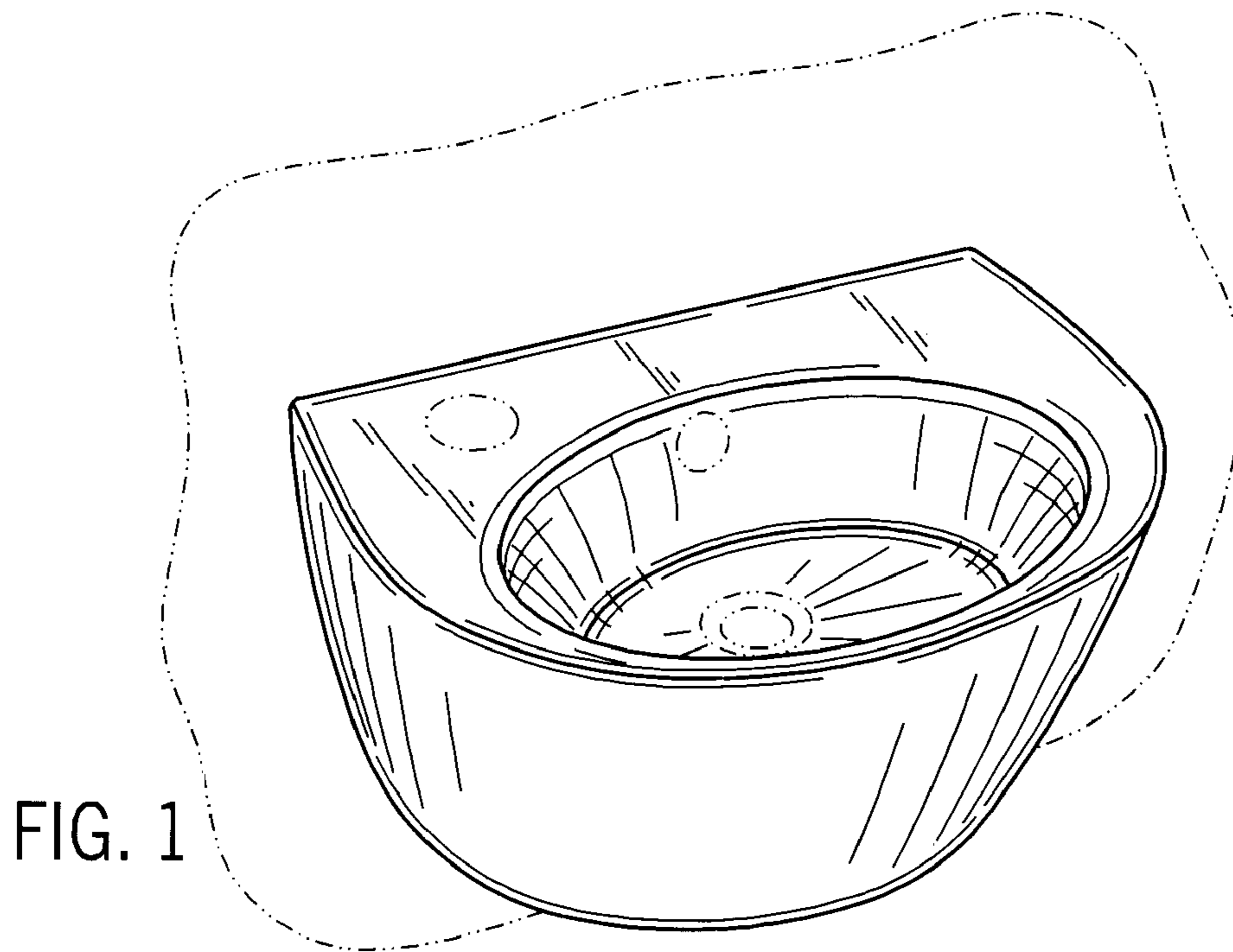


FIG. 3

FIG. 4