



US00D530798S

(12) **United States Design Patent**
Adams

(10) **Patent No.:** **US D530,798 S**
(45) **Date of Patent:** **** Oct. 24, 2006**

(54) **SINK BASIN**

(75) Inventor: **Russell W. Adams**, Atlanta, GA (US)

(73) Assignee: **MTI Whirlpools, Inc.**, Sugar Hill, GA (US)

(**) Term: **14 Years**

(21) Appl. No.: **29/219,624**

(22) Filed: **Dec. 21, 2004**

(51) **LOC (8) Cl.** **23-02**

(52) **U.S. Cl.** **D23/293.1**

(58) **Field of Classification Search** D23/272-274,
D23/284-285, 288-289, 291, 293.1, 303,
D23/308; 4/515-516, 519, 619, 650, 661
See application file for complete search history.

(56) **References Cited**

U.S. PATENT DOCUMENTS

D387,173 S * 12/1997 Jeans D23/284
D464,411 S * 10/2002 Bayer et al. D23/293.1
D468,816 S 1/2003 Adams

* cited by examiner

Primary Examiner—Robert A. Delehanty

(57) **CLAIM**

The ornamental design for sink basin, as shown and described.

DESCRIPTION

FIG. 1 is a perspective view of a first embodiment of a sink basin showing my new design;

FIG. 2 is a top view thereof;

FIG. 3 is a bottom view thereof;

FIG. 4 is a left elevational view thereof;

FIG. 5 is a right elevational view thereof;

FIG. 6 is a front elevational view thereof;

FIG. 7 is a rear elevational view thereof;

FIG. 8 is a perspective view of a second embodiment of a sink basin showing my new design;

FIG. 9 is a top view of the embodiment of FIG. 8;

FIG. 10 is a bottom view of the embodiment of FIG. 8;

FIG. 11 is a left elevational view thereof;

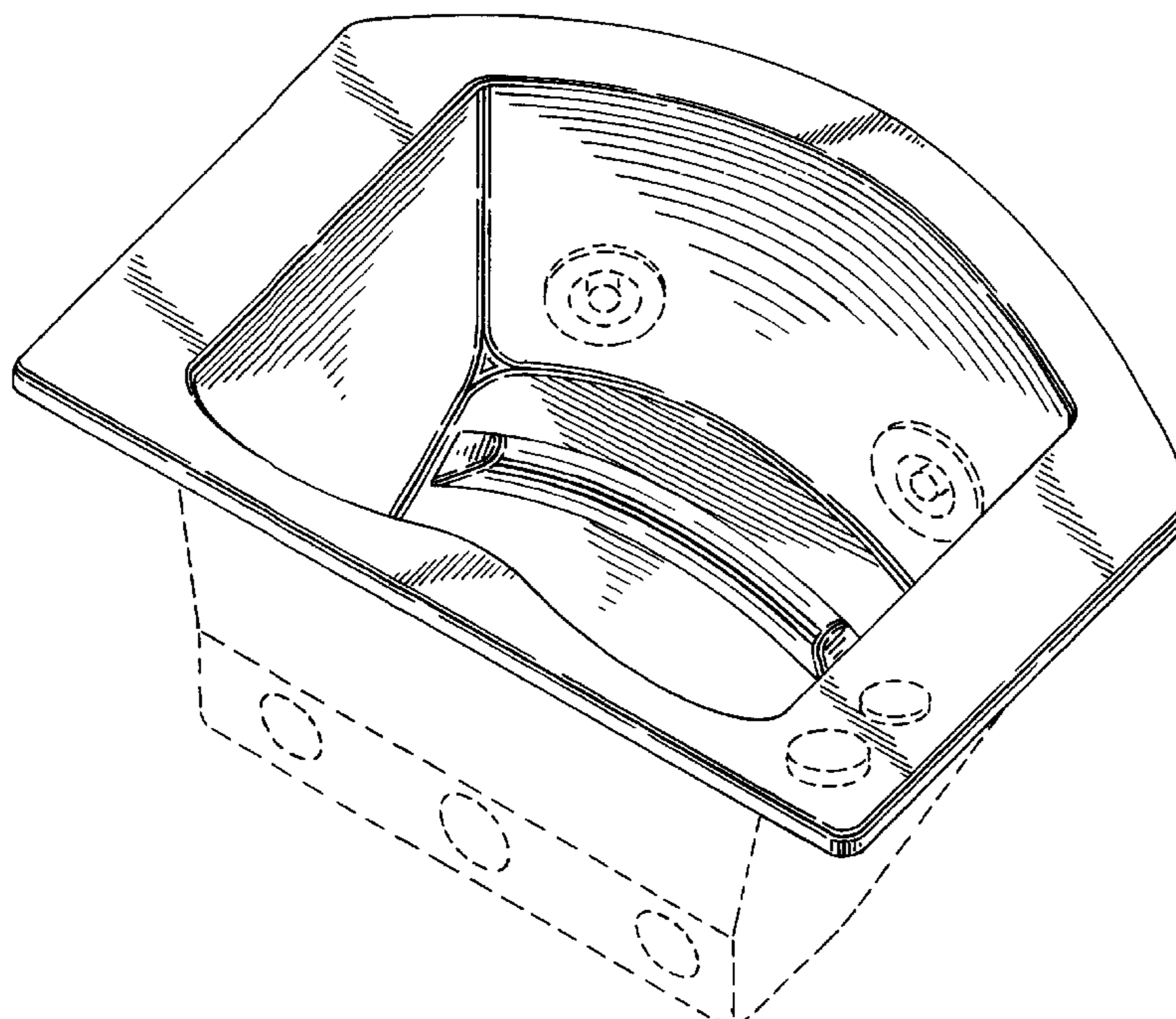
FIG. 12 is a right elevational view thereof;

FIG. 13 is a front elevational view thereof; and,

FIG. 14 is a rear elevational view thereof.

In the embodiment of FIGS. 1-7, the broken lines showing plumbing openings and the bottom side are for illustrative purposes only and form no part of the claimed design, and, in the embodiment of FIGS. 8-14, the broken lines showing a sill, plumbing openings, and the bottom side are for illustrative purposes only and form no part of the claimed design.

1 Claim, 10 Drawing Sheets



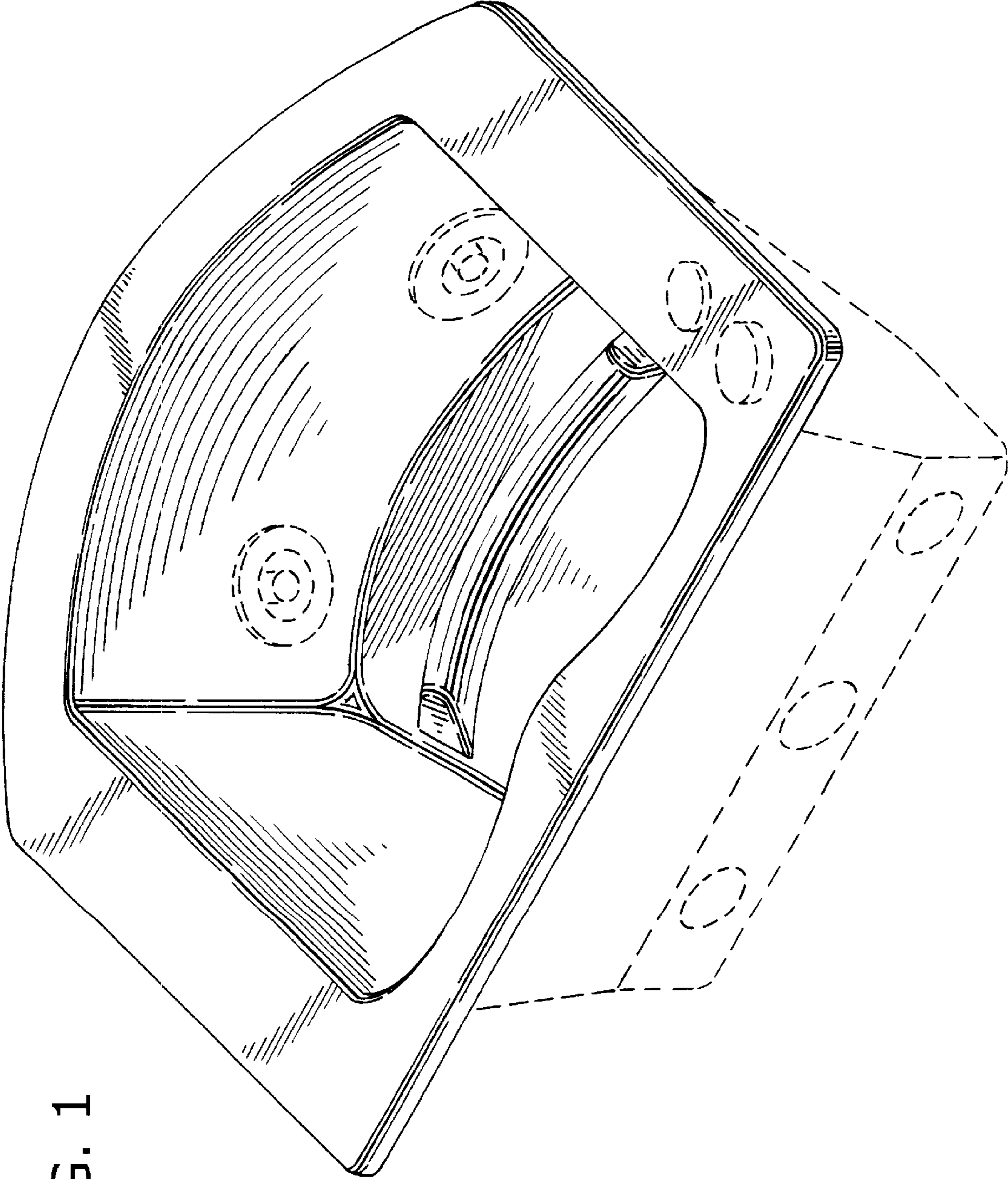


FIG. 1

FIG. 2

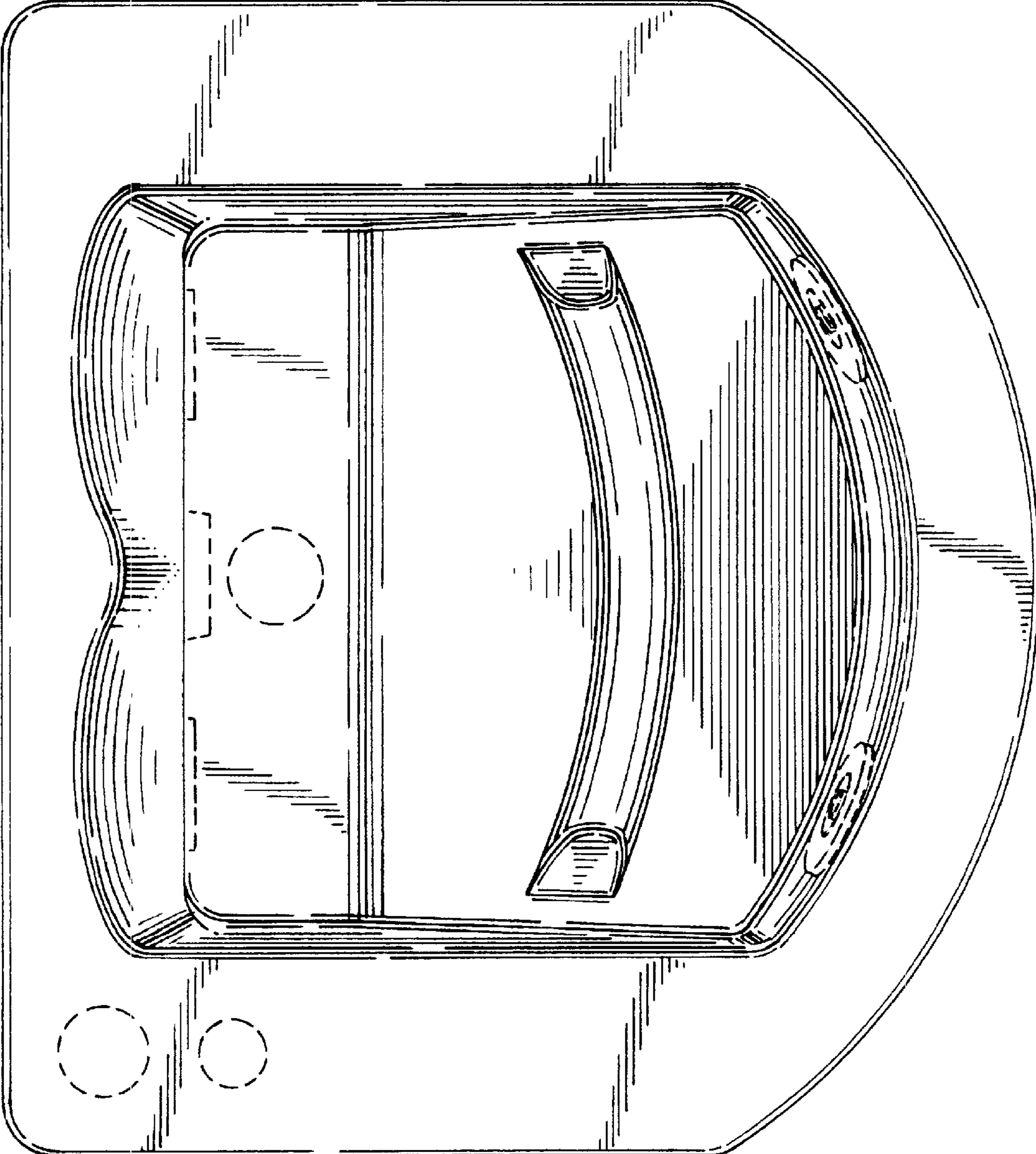


FIG. 3

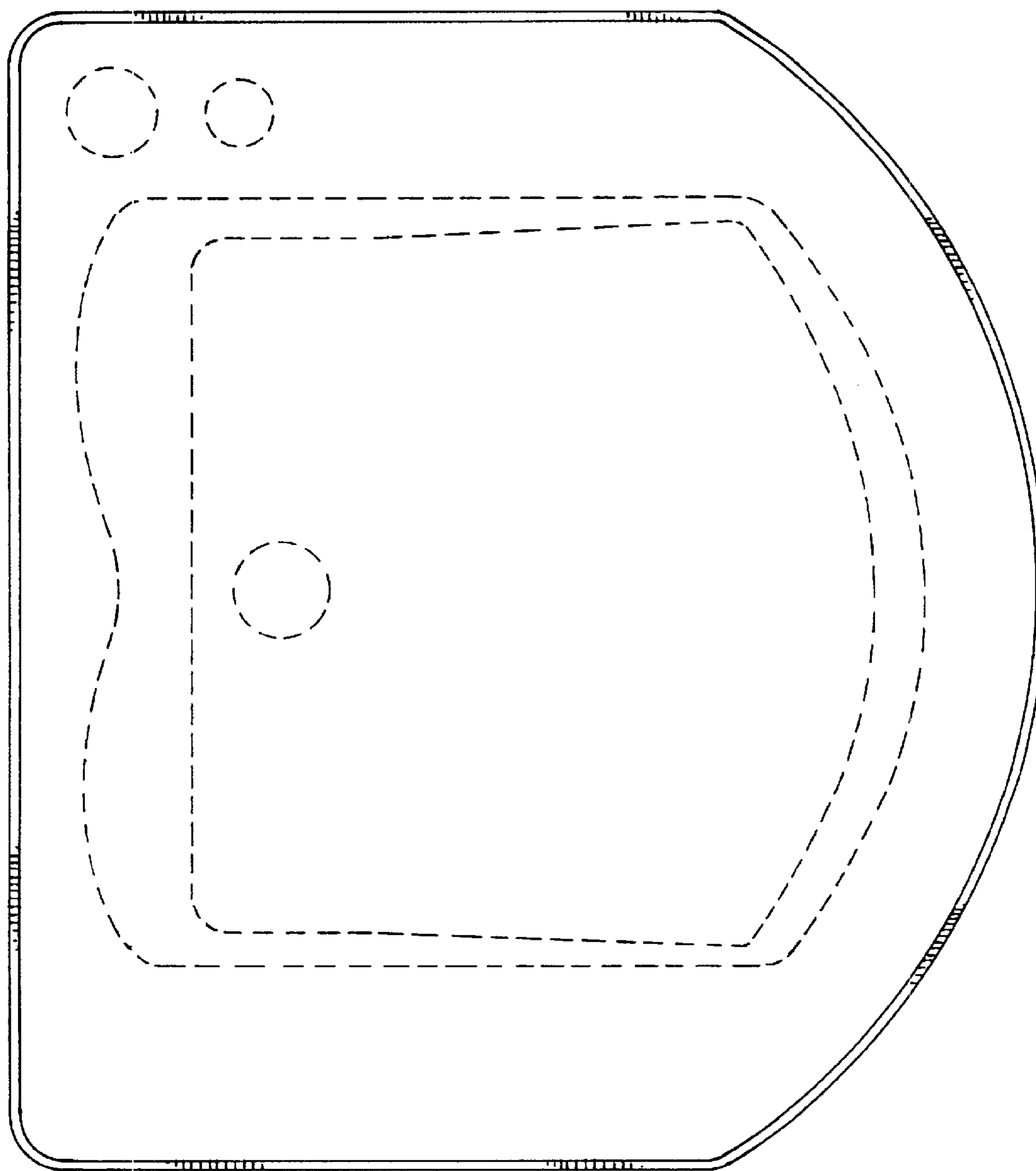


FIG. 4

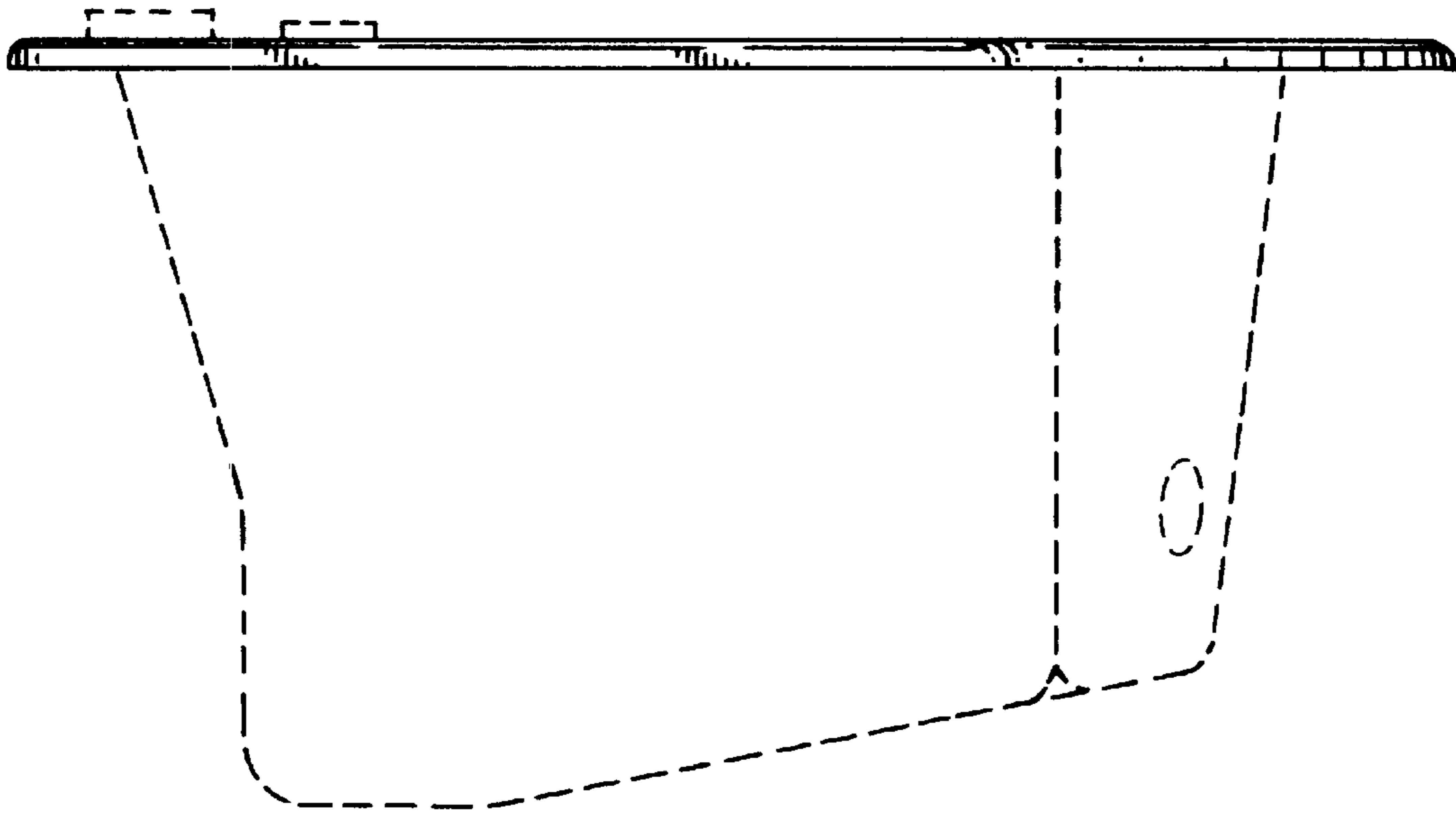


FIG. 5

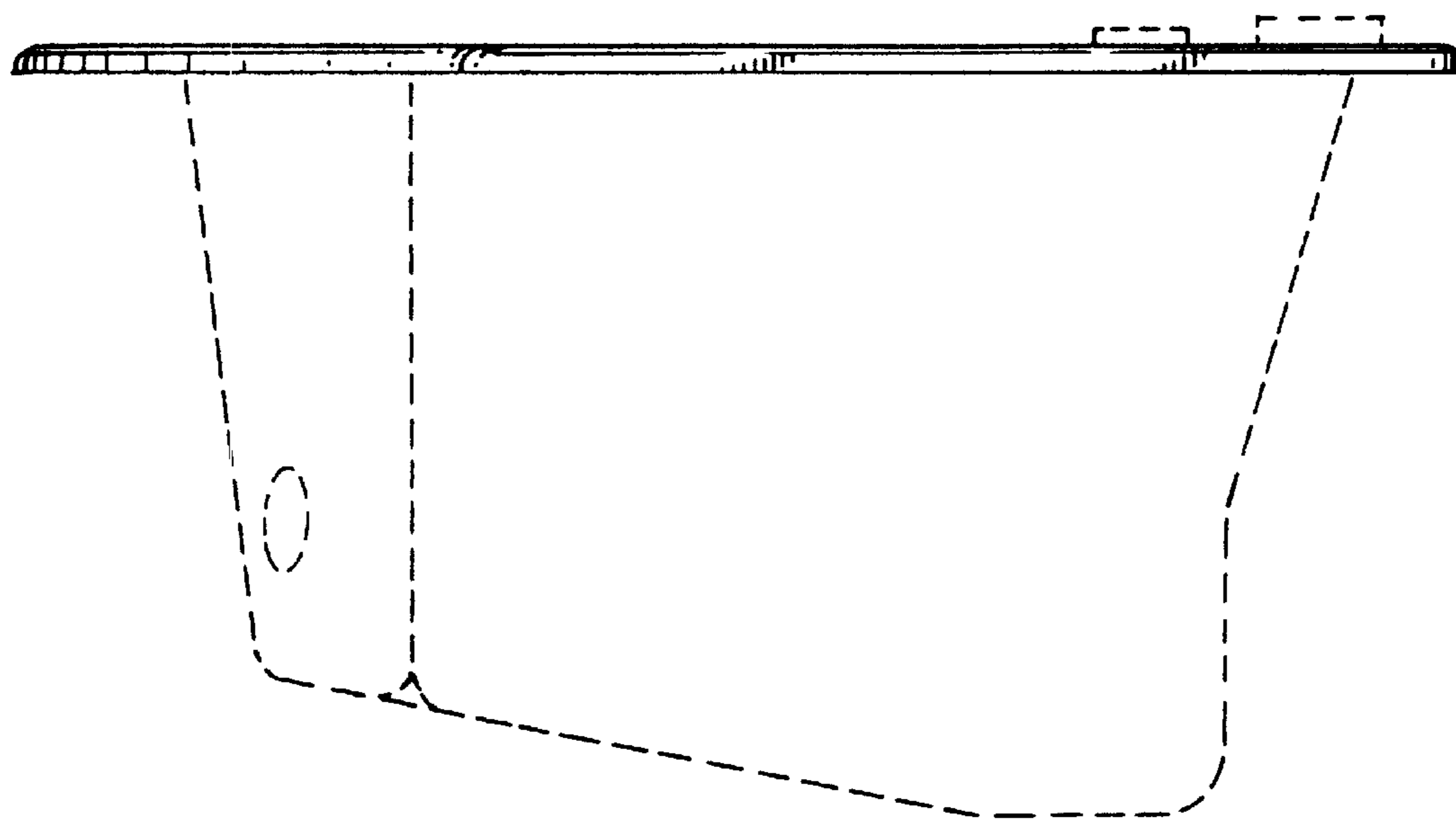


FIG. 6

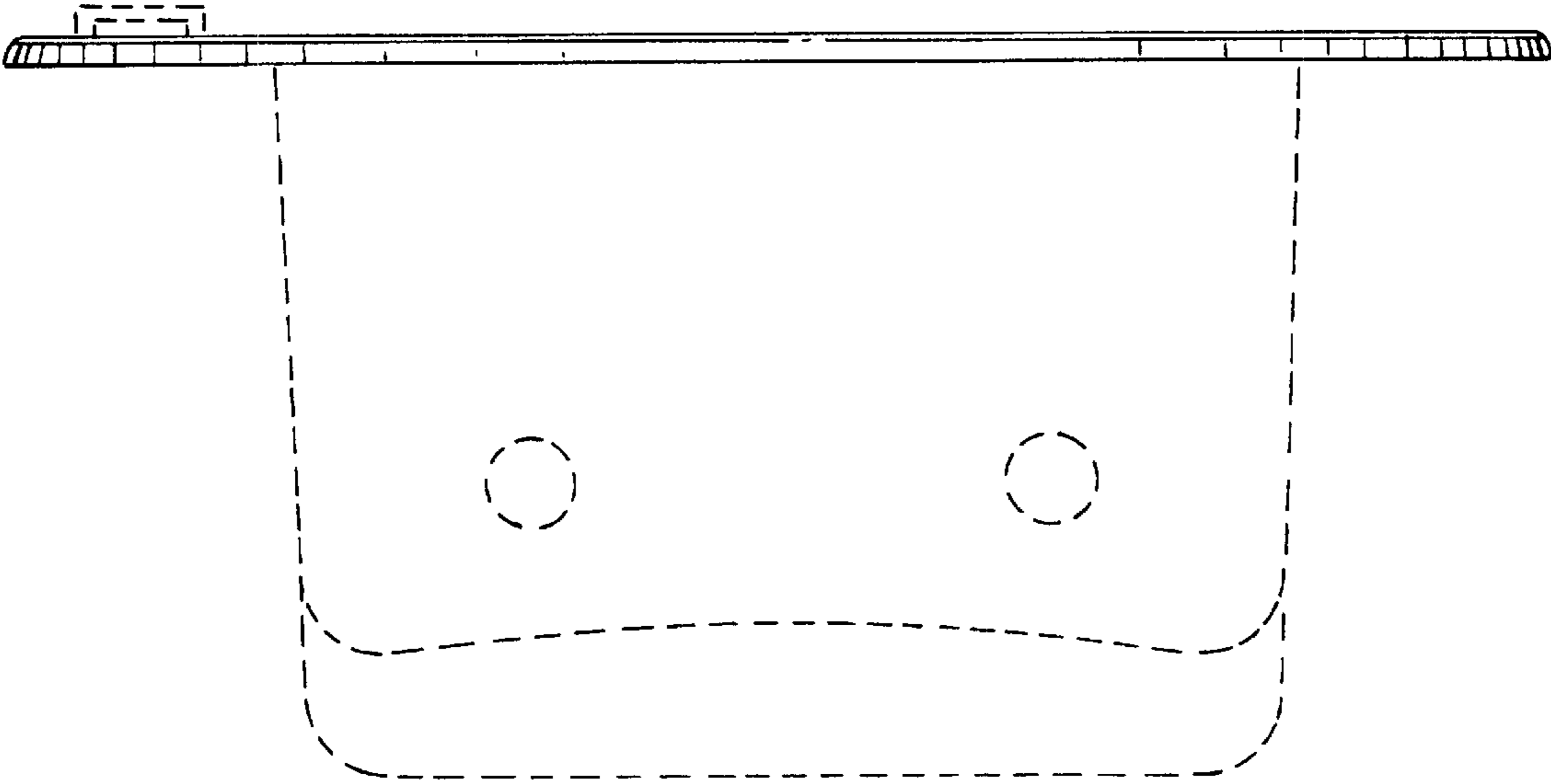
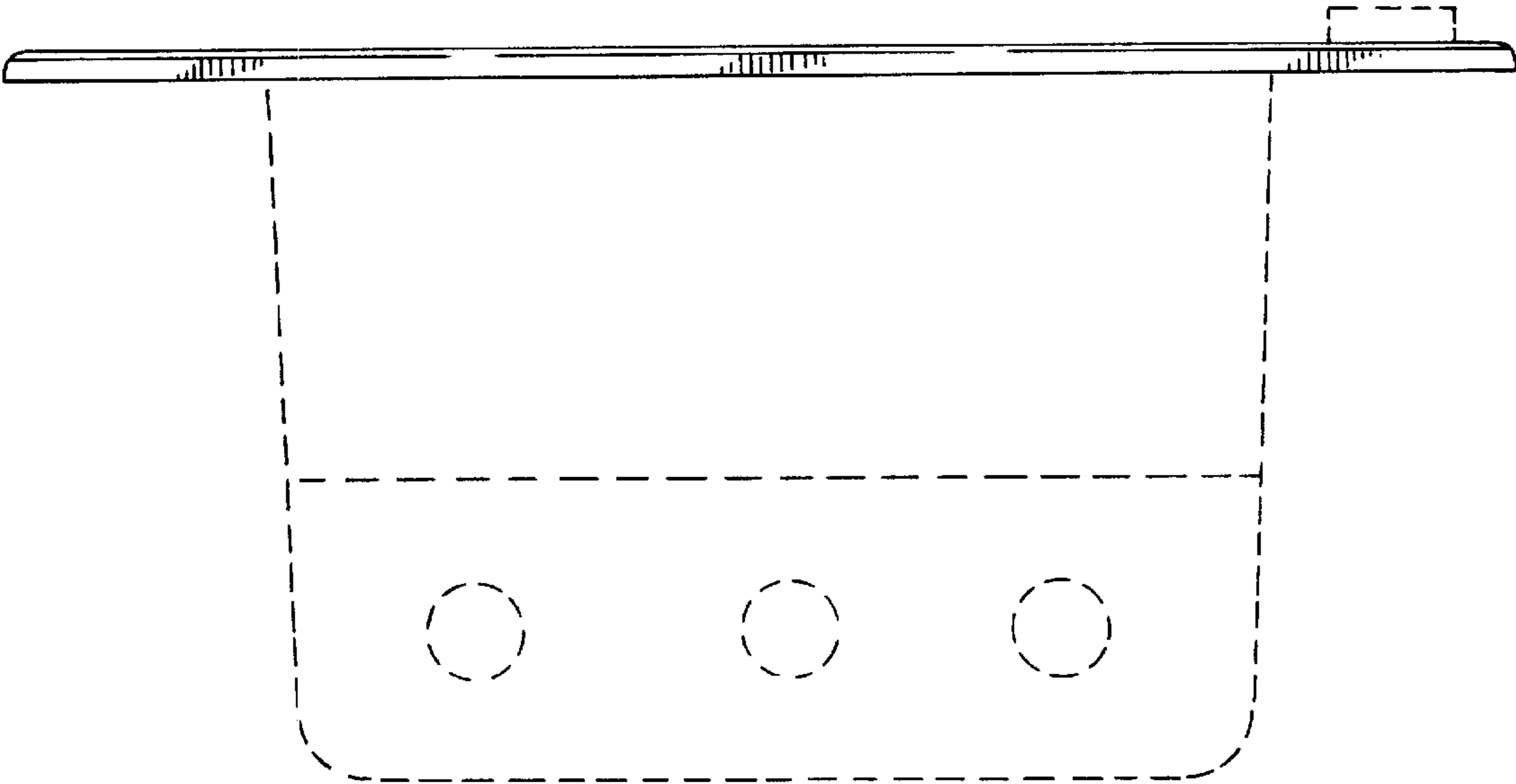


FIG. 7



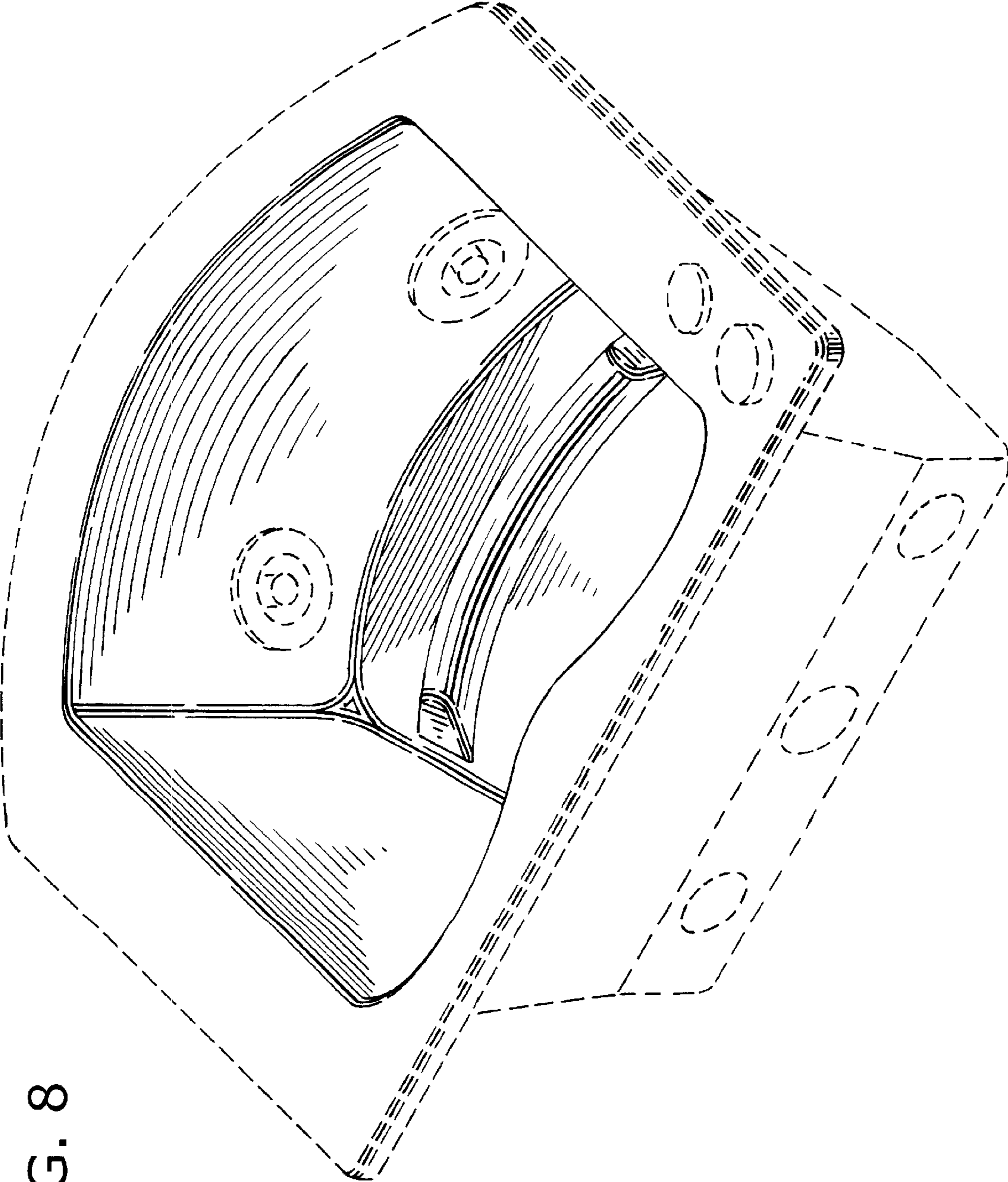


FIG. 8

FIG. 9

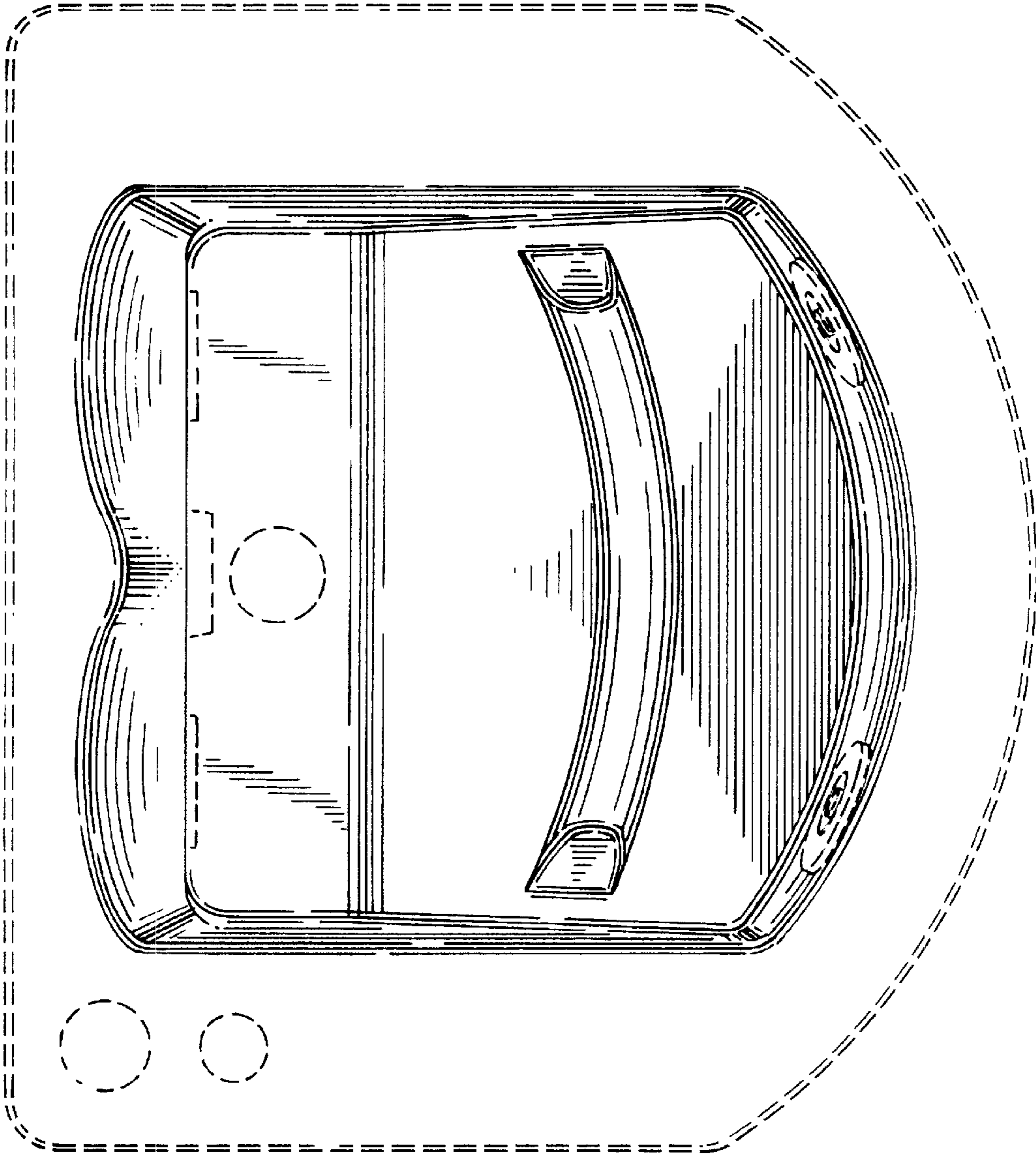


FIG. 10

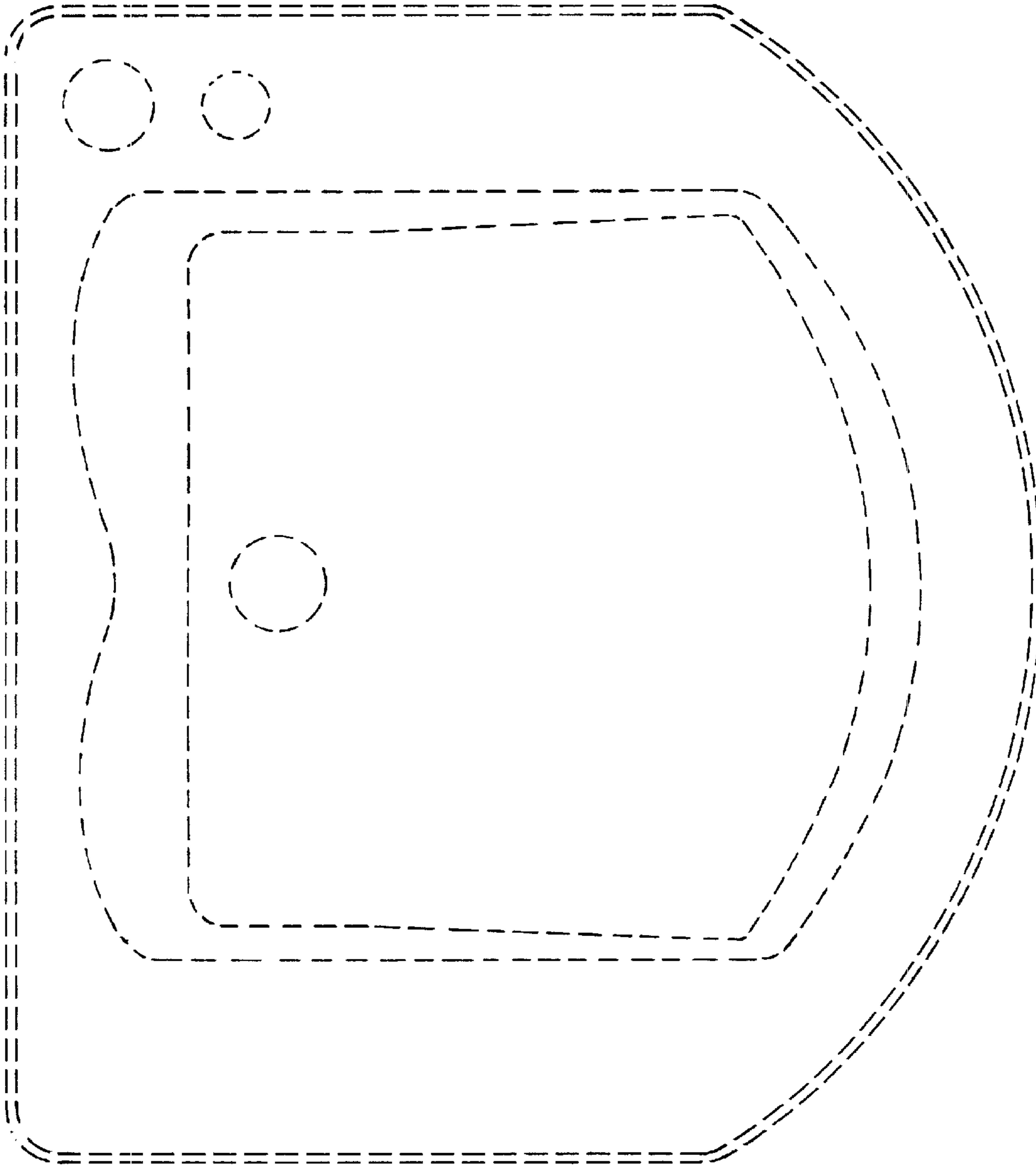


FIG. 11

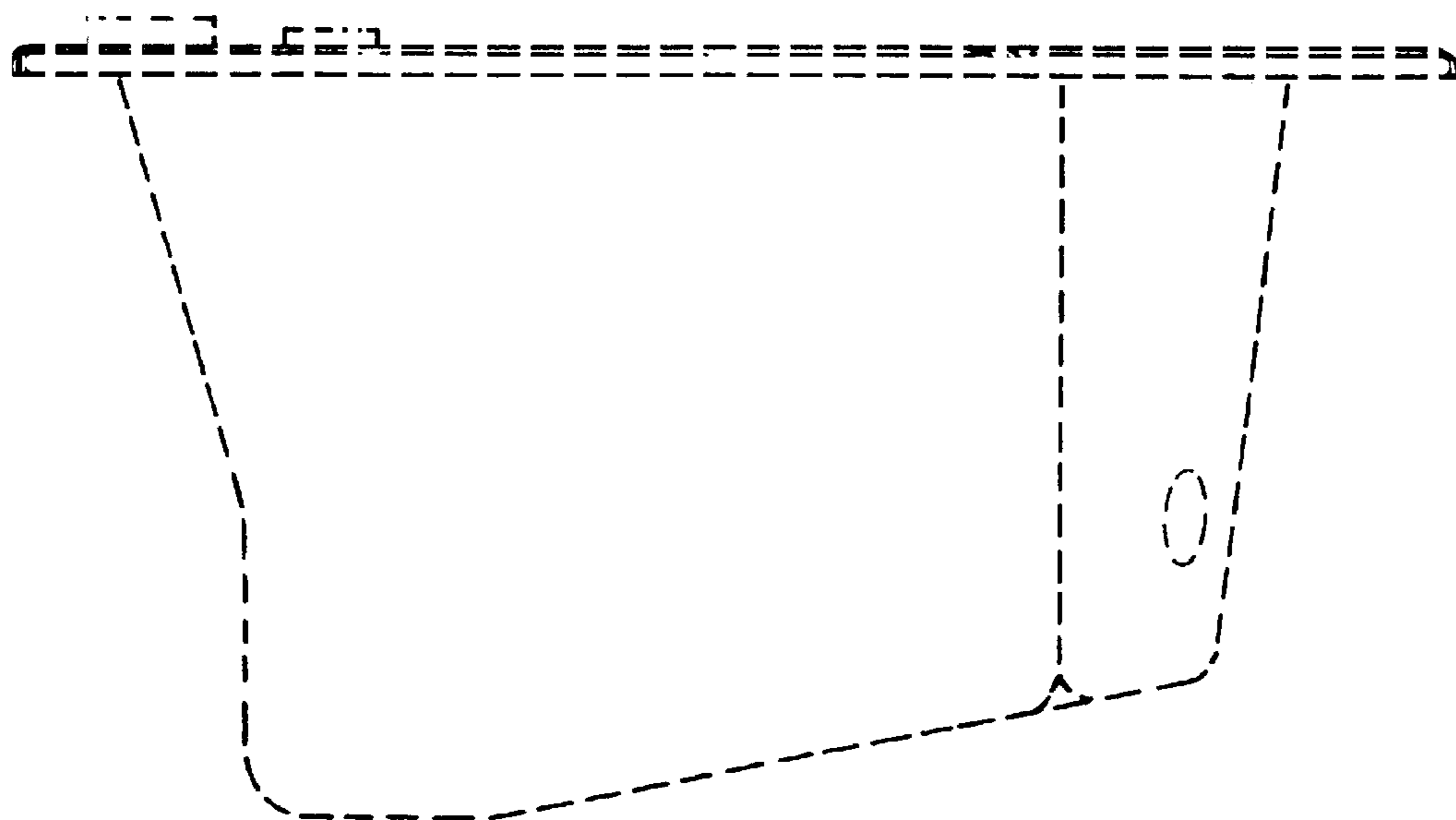


FIG. 12

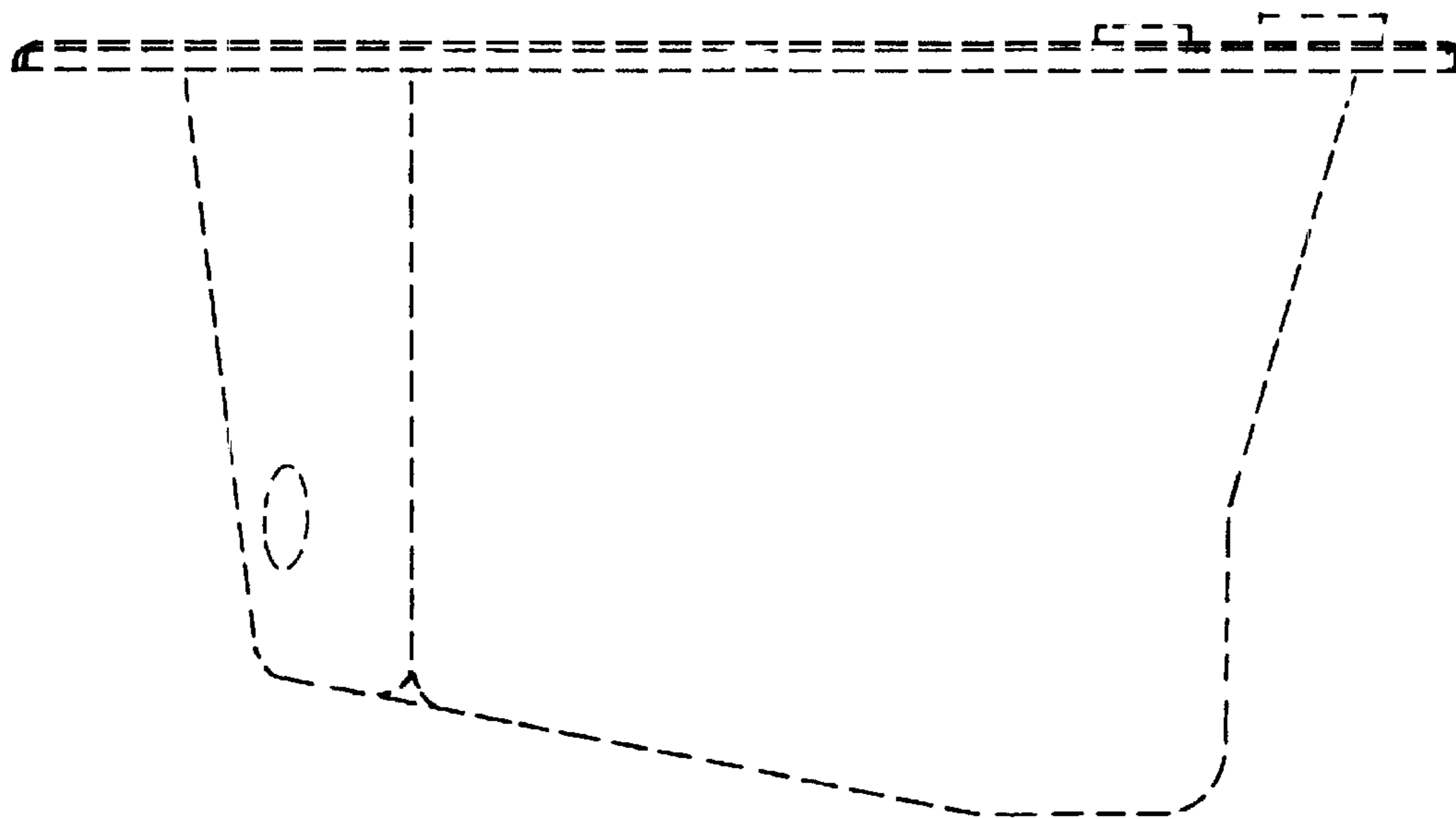


FIG. 13

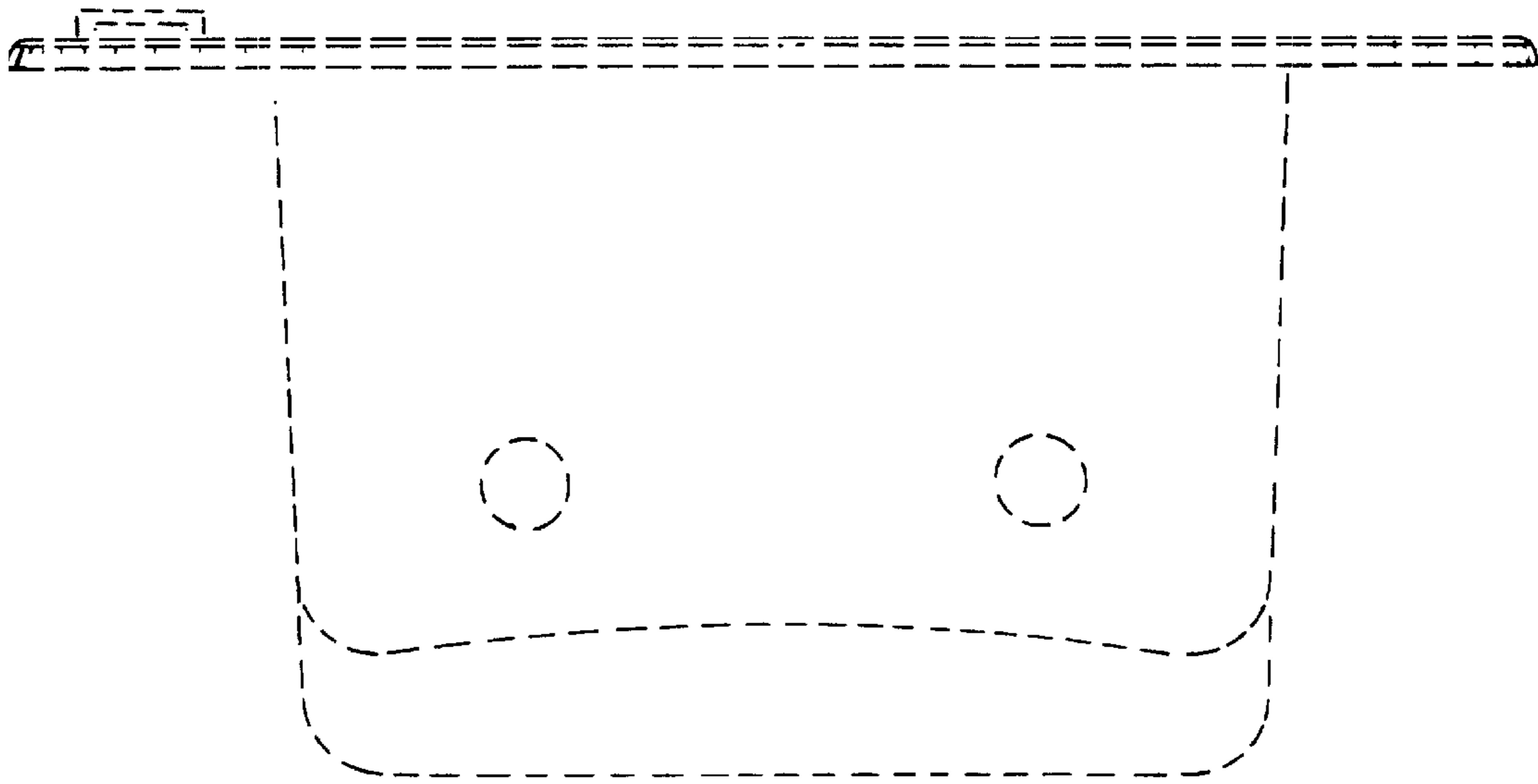


FIG. 14

