



US00D530796S

(12) **United States Design Patent**
Zielke et al.

(10) **Patent No.: US D530,796 S**
(45) **Date of Patent: ** Oct. 24, 2006**

(54) **COMPONENT OF A DEVICE FOR
TRANSPORT OF LIQUID**

(75) Inventors: **Peter Zielke**, Adorf (DE); **Jürgen
Sporer**, Schönwald (DE)

(73) Assignee: **Rehau AG & Co.**, Rehau (DE)

(**) Term: **14 Years**

(21) Appl. No.: **29/199,642**

(22) Filed: **Feb. 19, 2004**

(30) **Foreign Application Priority Data**

Aug. 19, 2003 (DE) 4 03 05 412

(51) **LOC (8) Cl.** **23-04**

(52) **U.S. Cl.** **D23/262**

(58) **Field of Classification Search** D23/259,
D23/262; 285/305, 275, 277; 251/150, 149.1
See application file for complete search history.

(56) **References Cited**

U.S. PATENT DOCUMENTS

2,225,610 A * 12/1940 Christian 285/277
2,643,140 A * 6/1953 Scheiwer 285/277
D282,962 S * 3/1986 Gerber D23/262

4,844,512 A * 7/1989 Gahwiler 285/39
5,152,555 A * 10/1992 Szabo 285/93
D333,178 S * 2/1993 Novy D23/262
D451,584 S * 12/2001 Patteson et al. D23/262
6,652,007 B1 * 11/2003 Hwang 285/305

* cited by examiner

Primary Examiner—Robin Webster

(74) *Attorney, Agent, or Firm*—Venable LLP; Robert
Kinberg; Manni Li

(57) **CLAIM**

The ornamental design for a component of a device for
transport of liquid, as shown and described.

DESCRIPTION

FIG. 1 is a perspective view from the front-top-right side of
the component of a device for transport of liquid showing
our new design;

FIG. 2 is a front view of the design shown in FIG. 1;

FIG. 3 is a rear view of the design shown in FIG. 1;

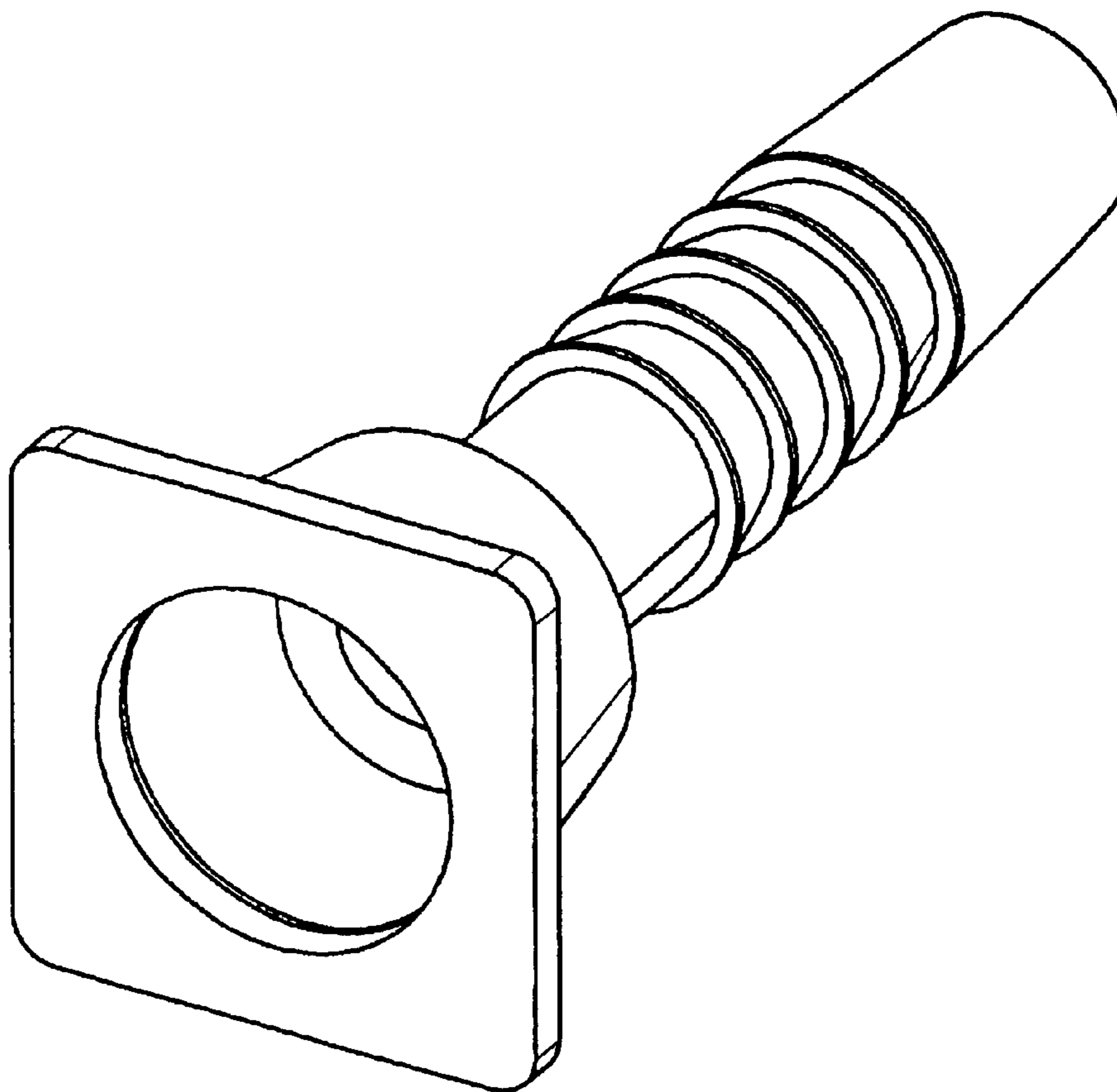
FIG. 4 is a left side view of the design shown in FIG. 1;

FIG. 5 is a right side view of the design shown in FIG. 1;

FIG. 6 is a top view of the design shown in FIG. 1; and,

FIG. 7 is a bottom view of the design shown in FIG. 1.

1 Claim, 7 Drawing Sheets



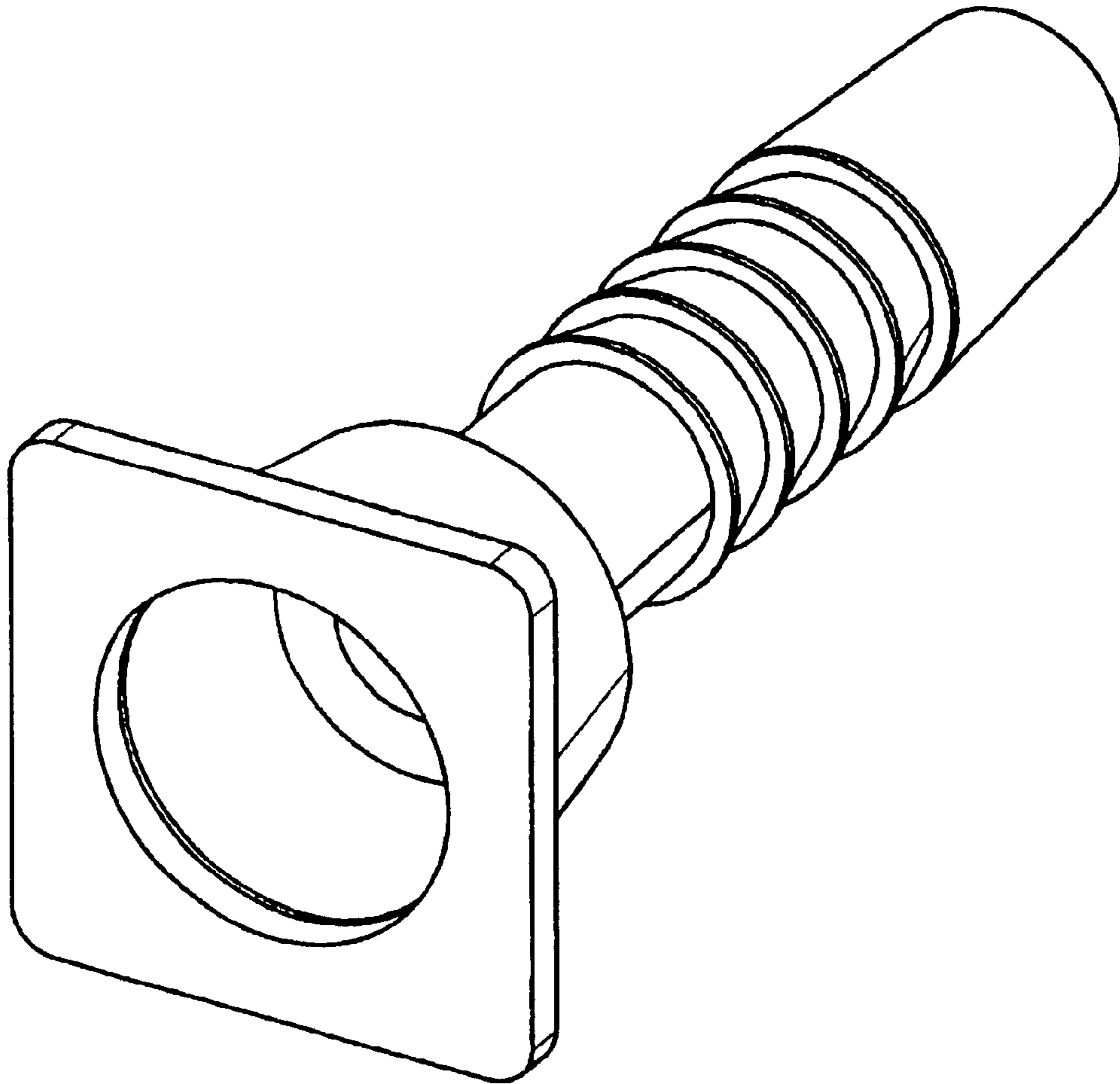


FIG. 1

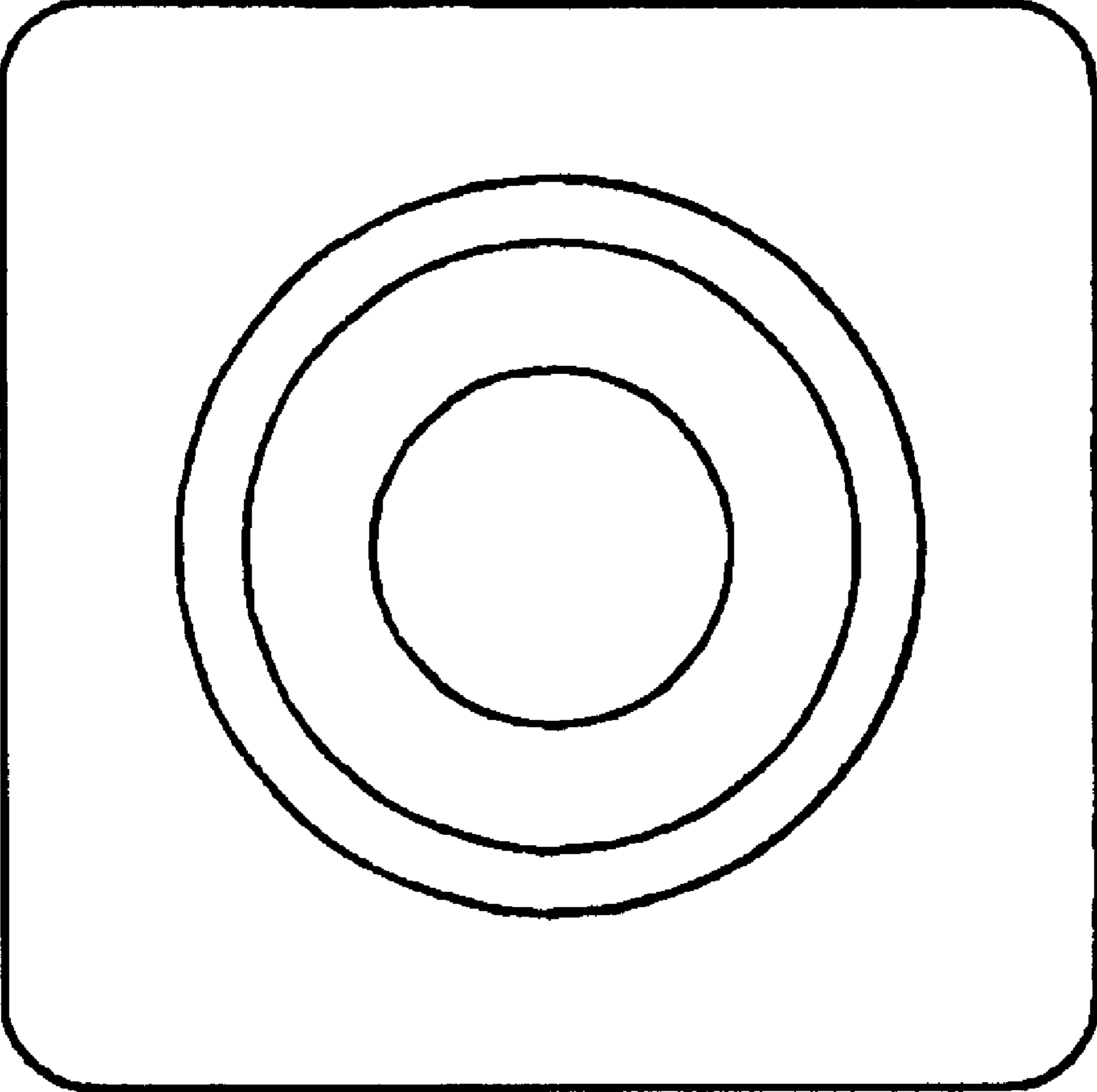


FIG. 2

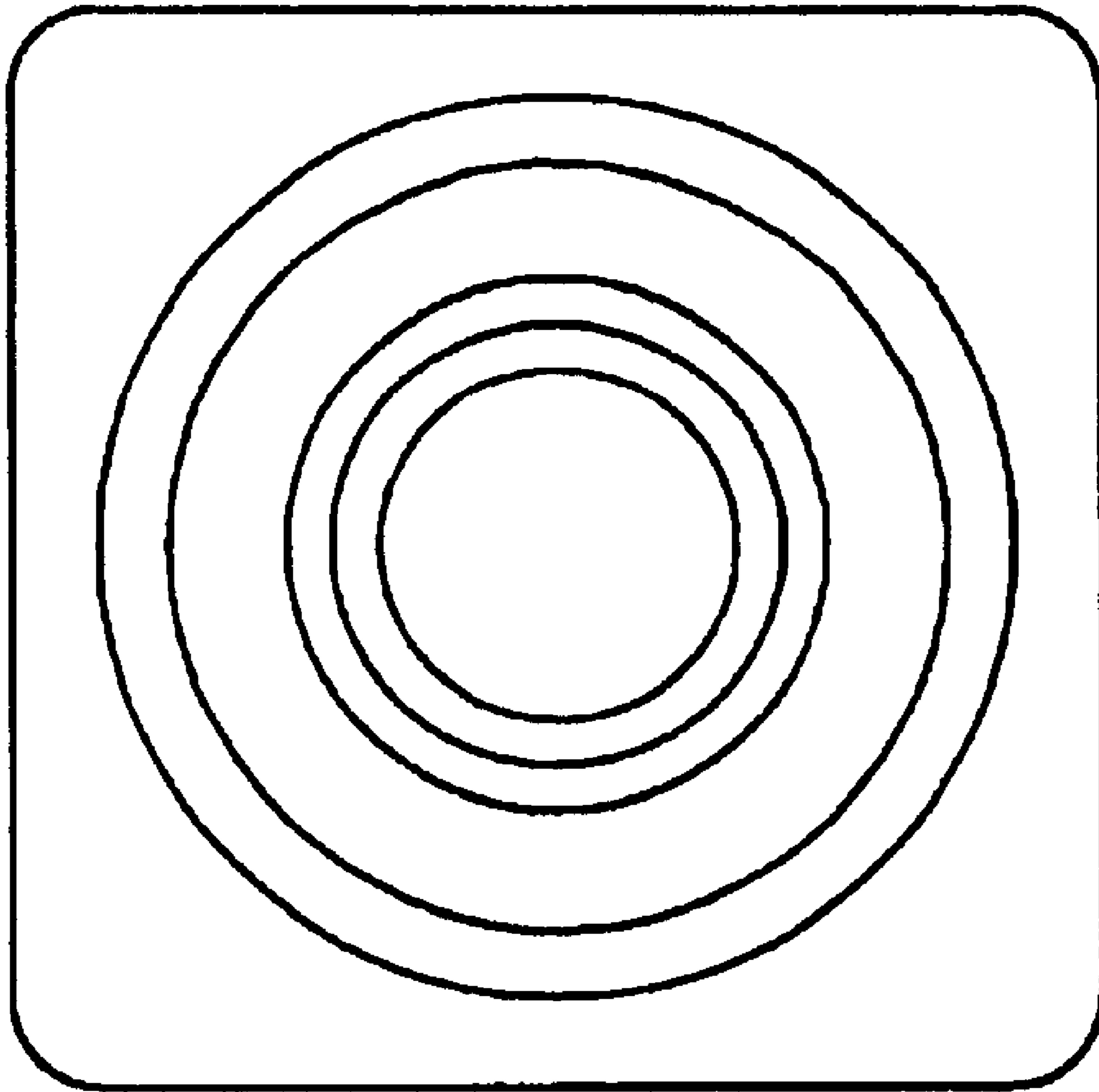


FIG. 3

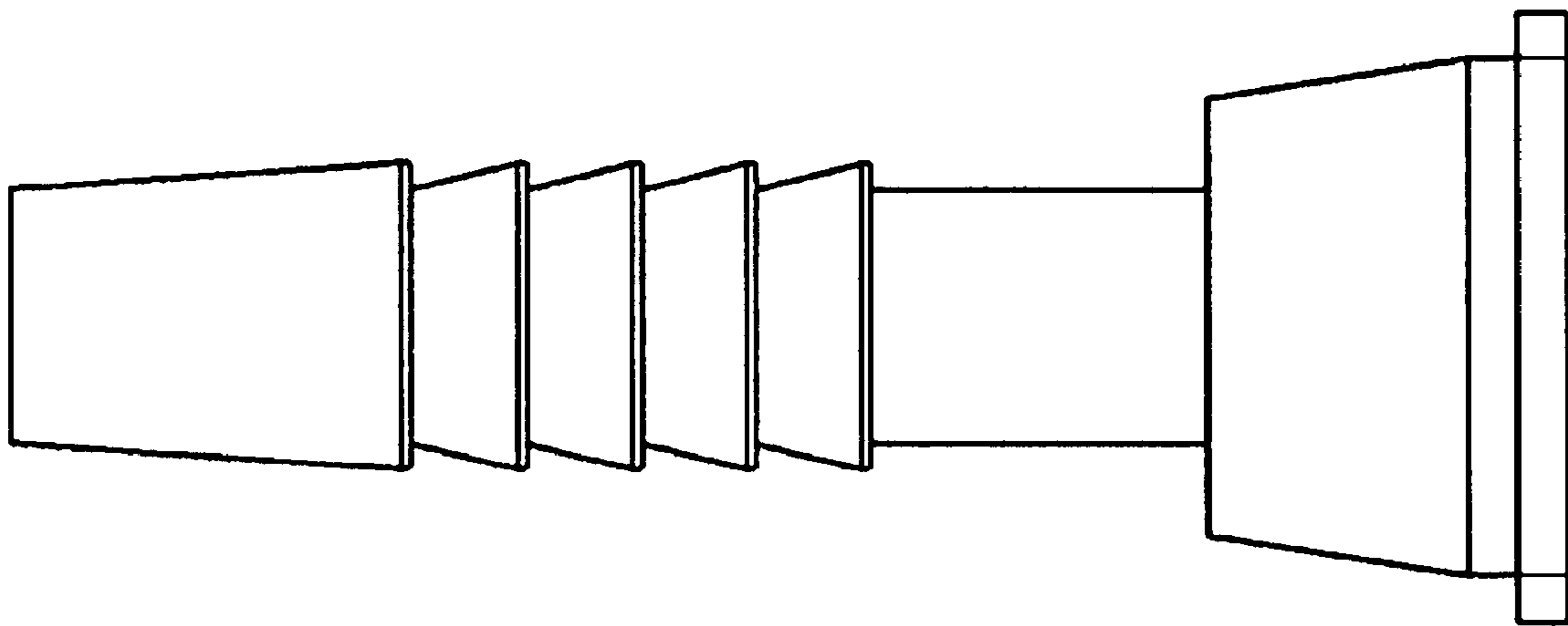


FIG. 4

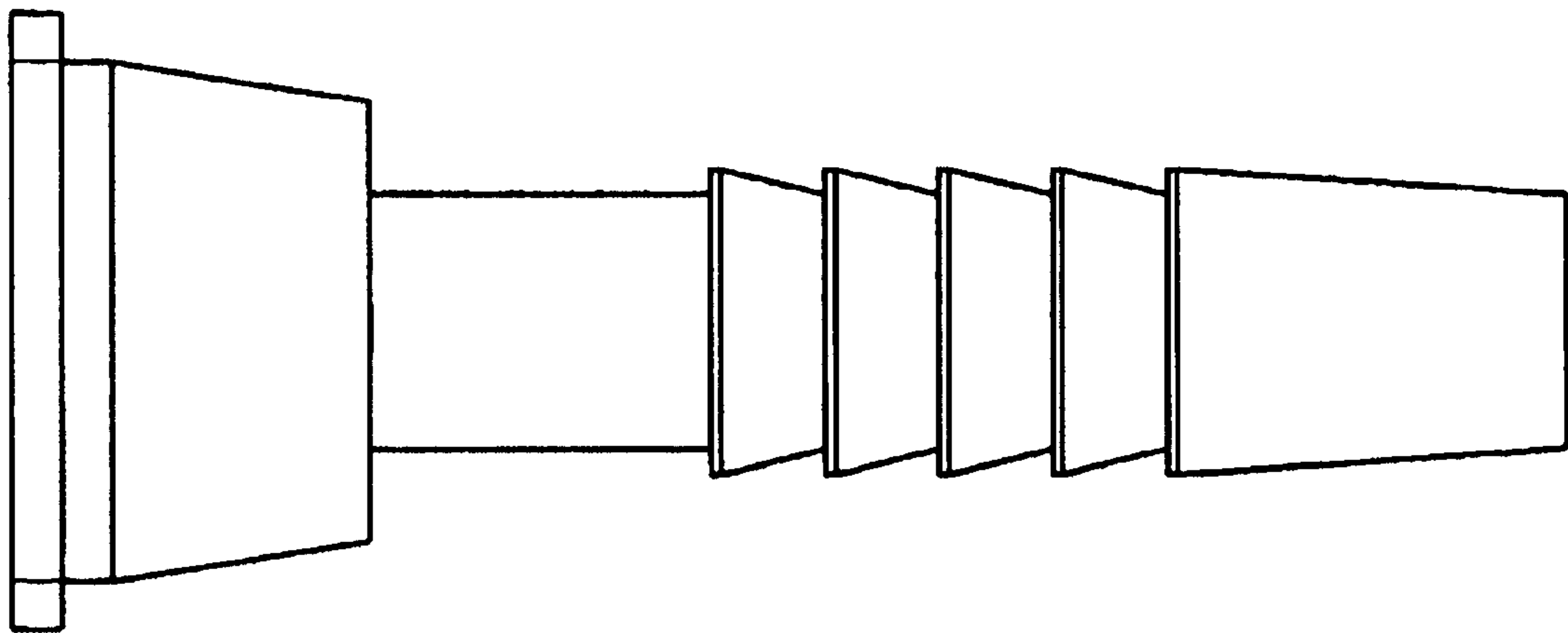


FIG. 5

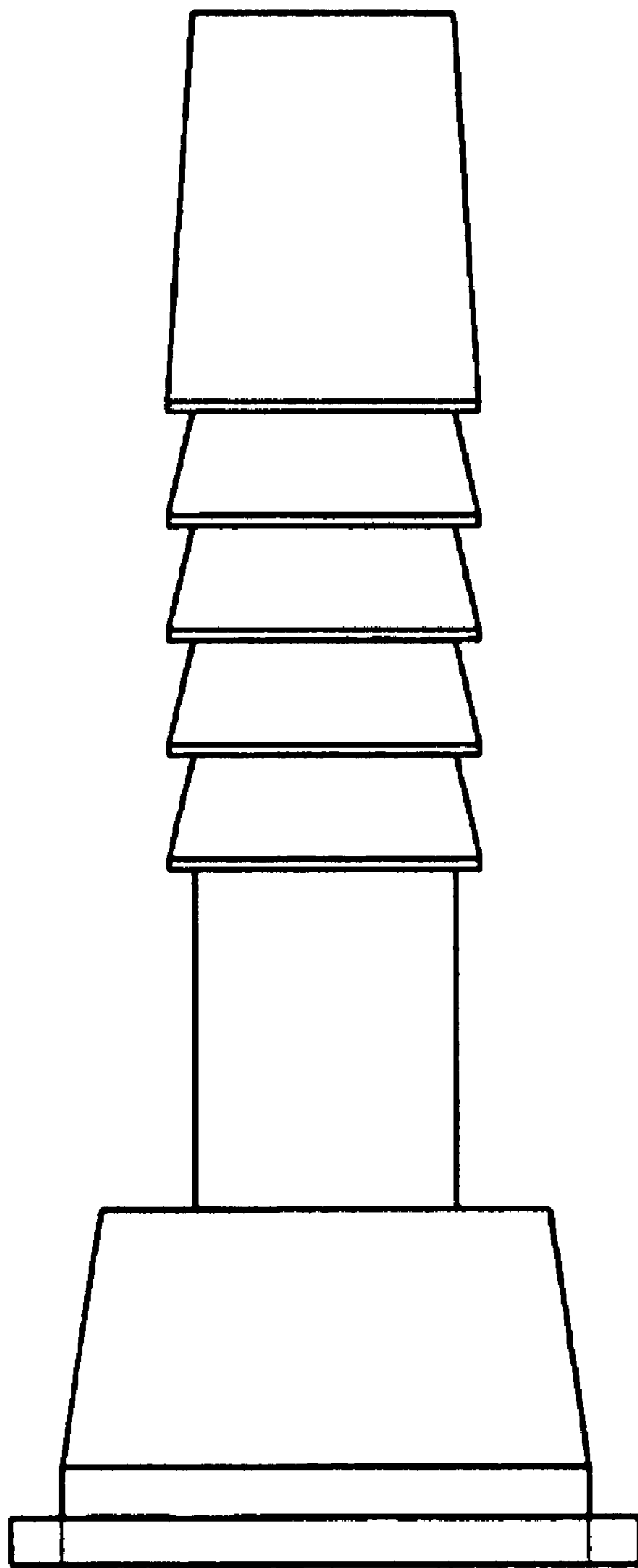


FIG. 6

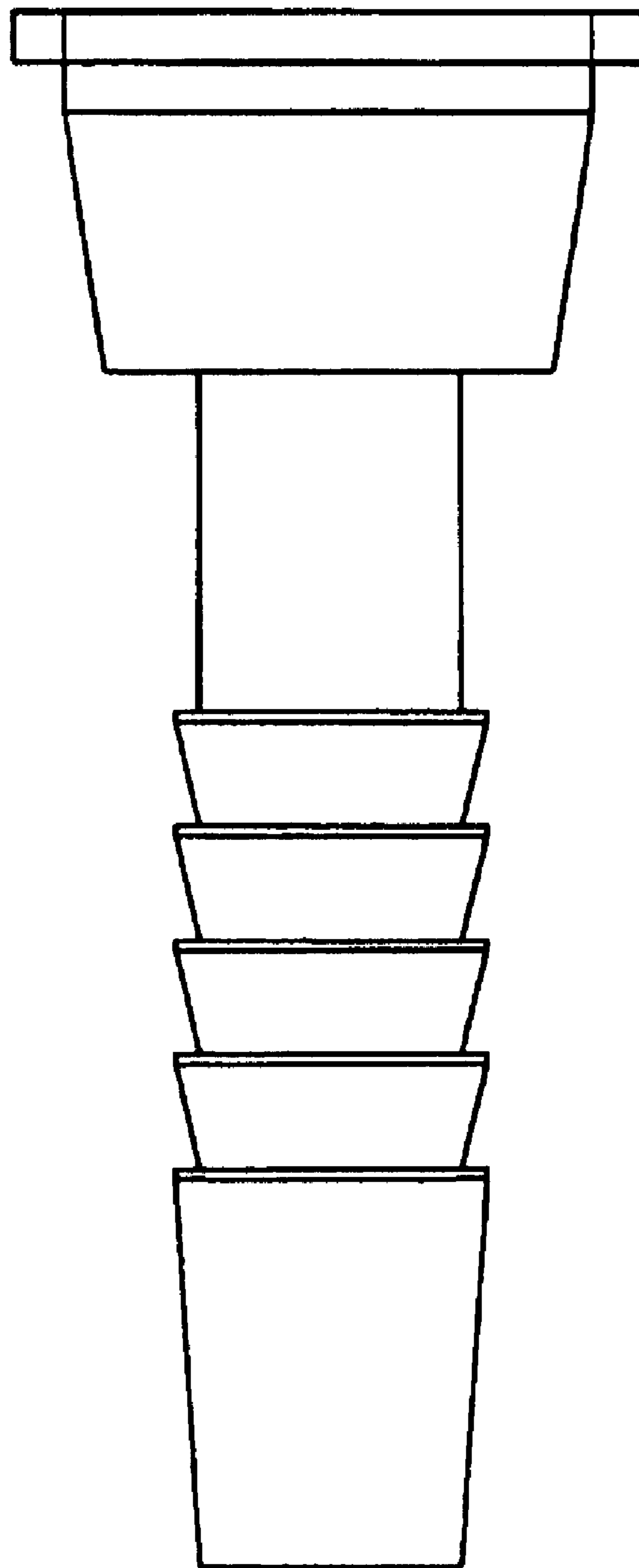


FIG. 7