



US00D530795S

(12) **United States Design Patent**  
**Sutopo**

(10) **Patent No.:** **US D530,795 S**

(45) **Date of Patent:** **\*\* Oct. 24, 2006**

(54) **SPOUT**

(75) Inventor: **Elise A. Sutopo**, Sheboygan, WI (US)

(73) Assignee: **Kohler Co.**, Kohler, WI (US)

(\*\*) Term: **14 Years**

(21) Appl. No.: **29/211,225**

(22) Filed: **Aug. 12, 2004**

(51) **LOC (8) Cl.** ..... **23-01**

(52) **U.S. Cl.** ..... **D23/255**

(58) **Field of Classification Search** ..... D23/238-257;  
4/675-678; 137/801

See application file for complete search history.

(56) **References Cited**

U.S. PATENT DOCUMENTS

D318,906 S	8/1991	Spangler	
D348,509 S	7/1994	Bollenbacher	
D350,390 S	* 9/1994	Bollenbacher	..... D23/255
D377,517 S	1/1997	Doughty et al.	
D396,268 S	* 7/1998	Snyder	..... D23/255
D407,466 S	3/1999	Hundley et al.	
D408,897 S	4/1999	Warshawsky	
D429,800 S	* 8/2000	Spangler	..... D23/255
D487,924 S	3/2004	Lin	

\* cited by examiner

*Primary Examiner*—Louis S. Zarfes

*Assistant Examiner*—Gregory Andoll

(74) *Attorney, Agent, or Firm*—Quarles & Brady LLP

(57) **CLAIM**

The ornamental design for a spout, as shown and described.

**DESCRIPTION**

In a preferred embodiment, the nature of this product is as a plumbing fixture in the form of a spout primary useful for washing various items and/or body parts.

FIG. 1 is a left, top, front perspective view of a spout embodying my new design;

FIG. 2 is a left side elevational view thereof, the right side elevational view thereof being a mirror image of the left side shown;

FIG. 3 is a front elevational view thereof;

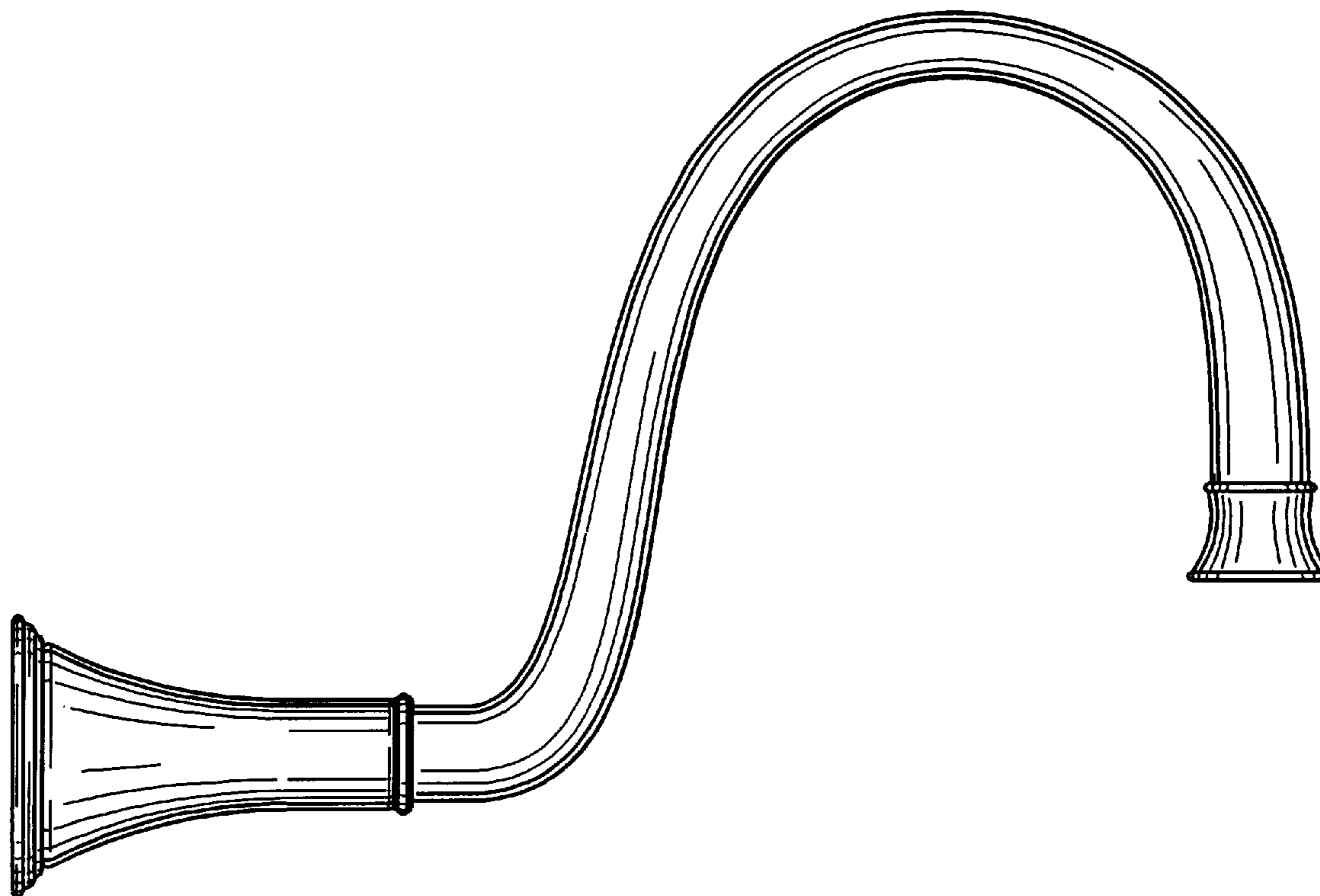
FIG. 4 is a top plan view thereof;

FIG. 5 is a bottom plan view thereof; and,

FIG. 6 is a rear elevational view thereof.

The broken line representations of internal mounting structure in FIG. 6 are for the purpose of illustration only, and form no part of the claimed design.

**1 Claim, 2 Drawing Sheets**



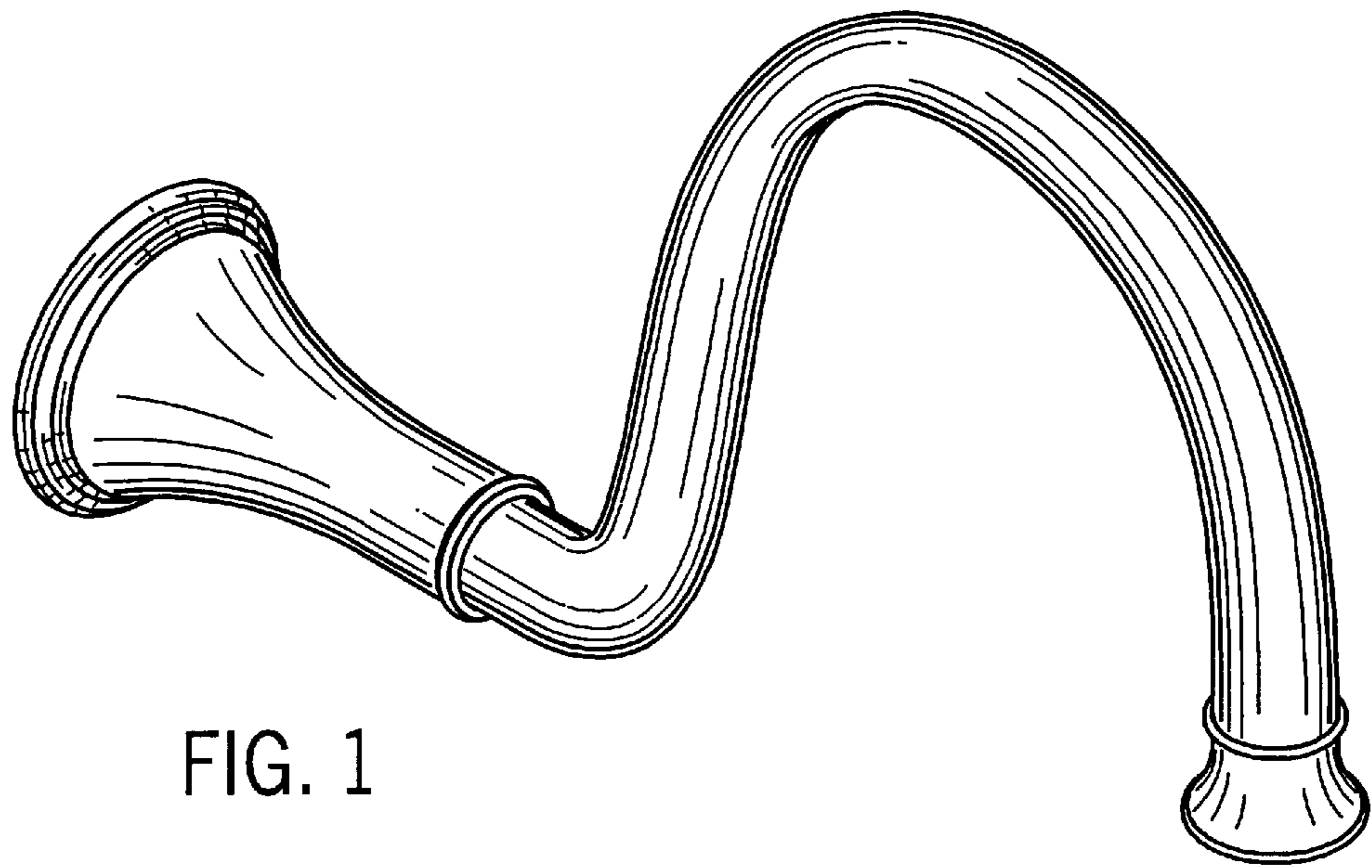


FIG. 1

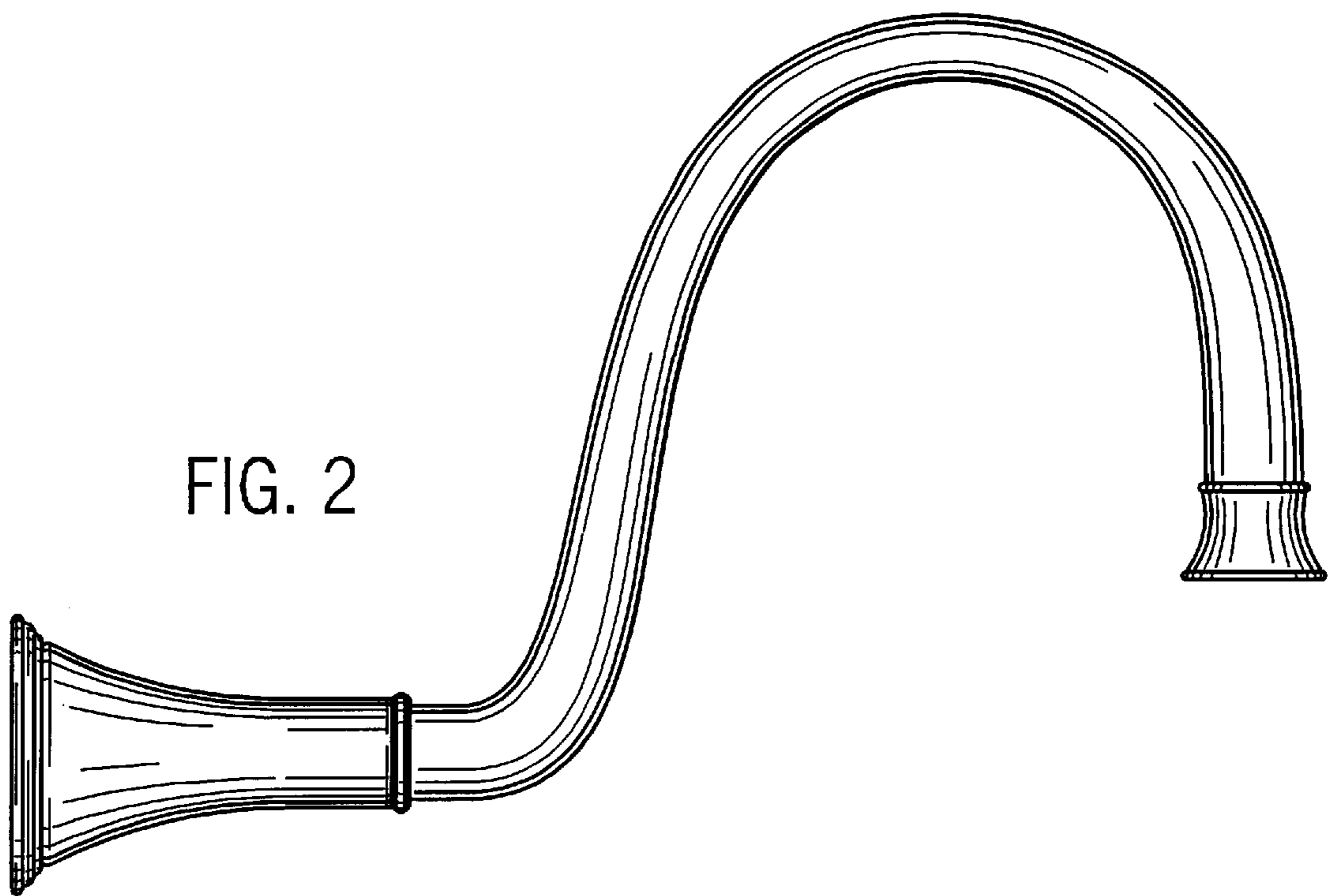


FIG. 2

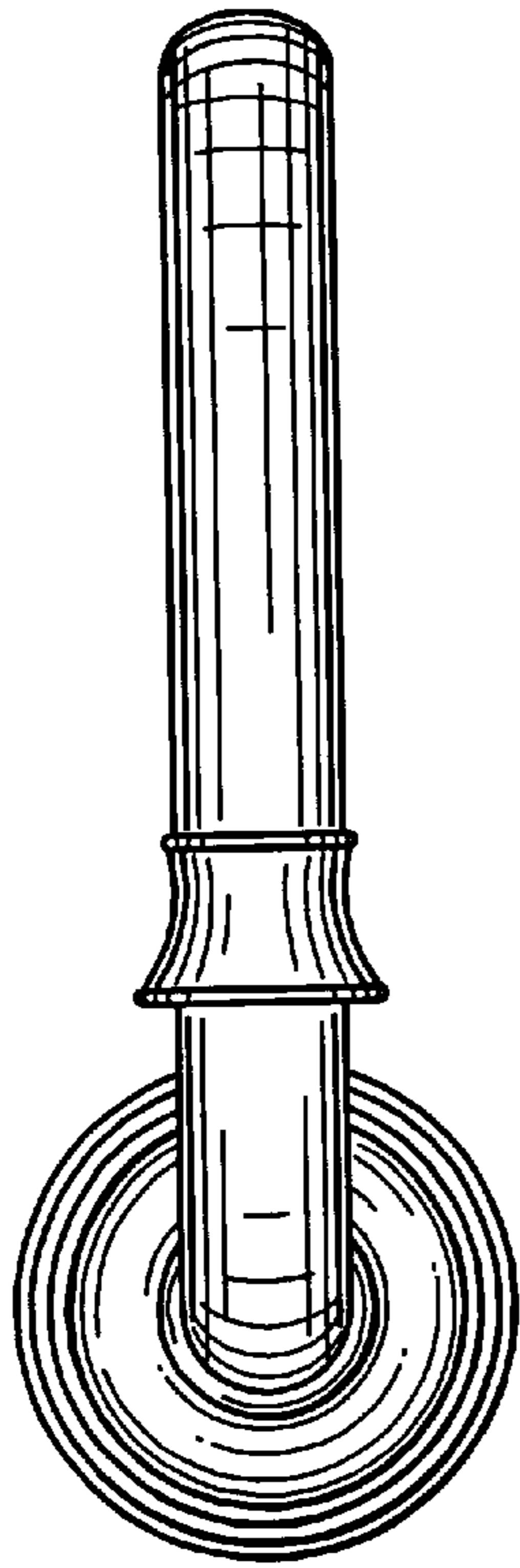


FIG. 3

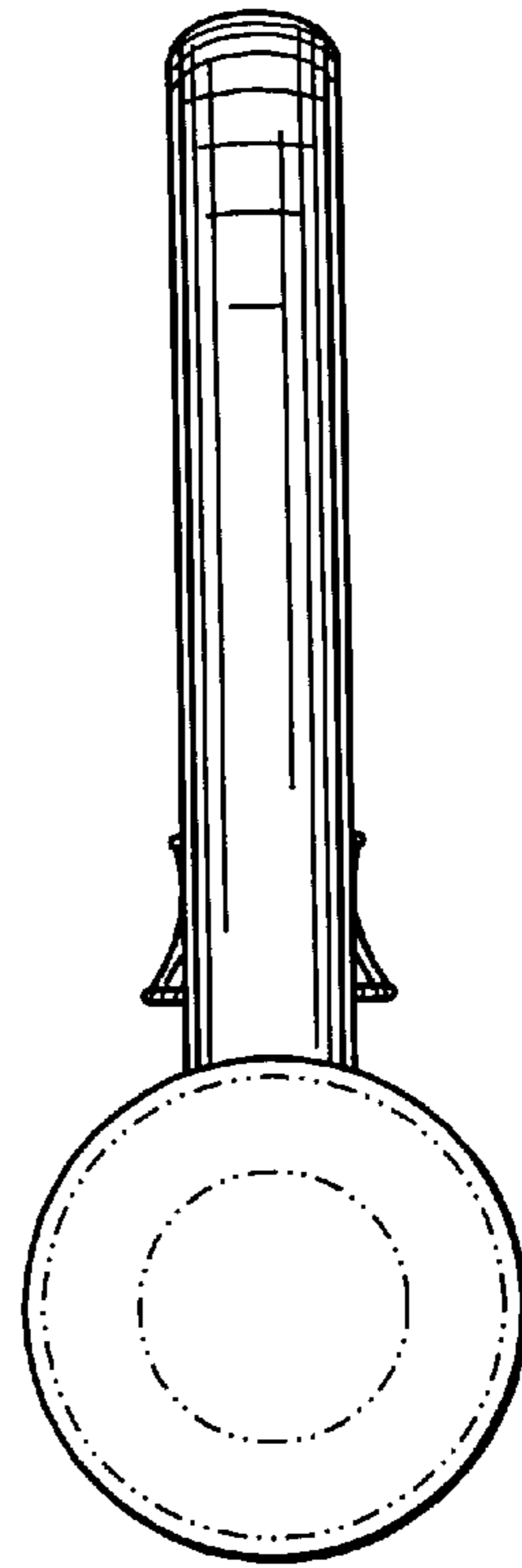


FIG. 6

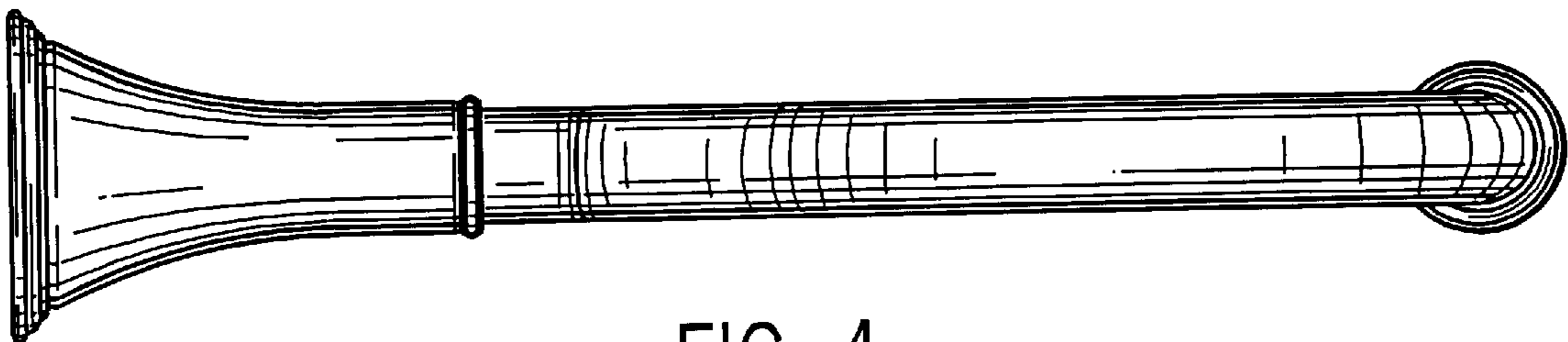


FIG. 4

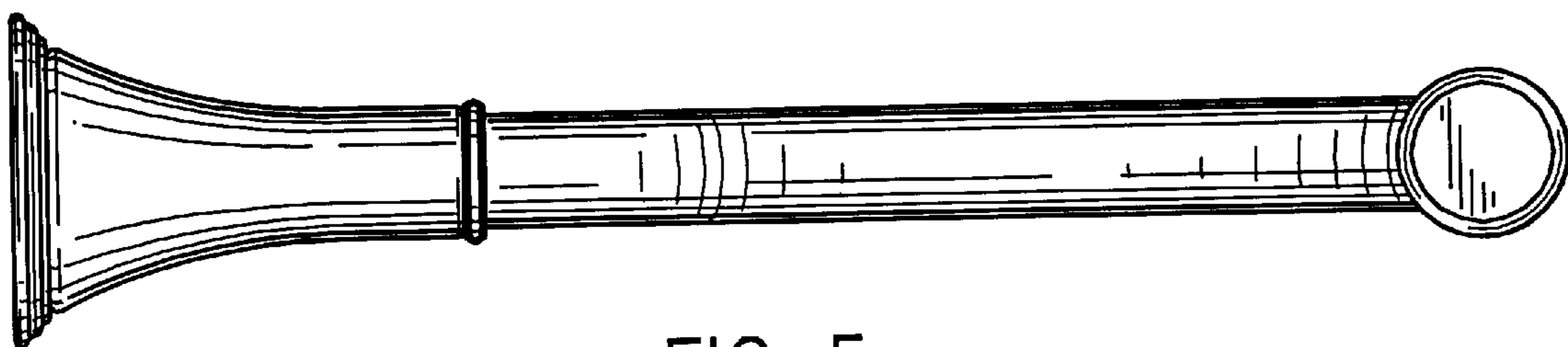


FIG. 5