

US00D530793S

(12) **United States Design Patent**
Sutopo

(10) **Patent No.:** **US D530,793 S**

(45) **Date of Patent:** **** Oct. 24, 2006**

(54) **SPOUT**

(75) Inventor: **Elise A. Sutopo**, Sheboygan, WI (US)

(73) Assignee: **Kohler Co.**, Kohler, WI (US)

(**) Term: **14 Years**

(21) Appl. No.: **29/211,218**

(22) Filed: **Aug. 12, 2004**

(51) **LOC (8) Cl.** **23-01**

(52) **U.S. Cl.** **D23/255**

(58) **Field of Classification Search** D23/238-257;
4/675-678; 137/801

See application file for complete search history.

(56) **References Cited**

U.S. PATENT DOCUMENTS

D76,996 S	11/1928	Fraser	
D77,373 S	1/1929	Smith	
D85,397 S	* 10/1931	Sakier D23/255
D101,443 S	* 10/1936	Dreyfuss D23/255
D231,227 S	* 4/1974	Hill D23/257
D417,262 S	11/1999	Caplow	
D462,418 S	9/2002	Smith	
D464,407 S	10/2002	Singtoroj	
D488,539 S	4/2004	McKeone	
D492,013 S	6/2004	Citterio	

D505,994 S * 6/2005 Blomstrom D23/252

* cited by examiner

Primary Examiner—Louis S. Zarfes

Assistant Examiner—Gregory Andoll

(74) *Attorney, Agent, or Firm*—Quarles & Brady LLP

(57) **CLAIM**

The ornamental design for a spout, as shown and described.

DESCRIPTION

In a preferred embodiment, the nature of this product is as a plumbing fixture in the form of a spout primary useful for washing various items and/or body parts.

FIG. 1 is a left, top, front perspective view of a spout embodying my new design;

FIG. 2 is a left side elevational view thereof, the right side elevational view thereof being a mirror image of the left side shown;

FIG. 3 is a top plan view thereof;

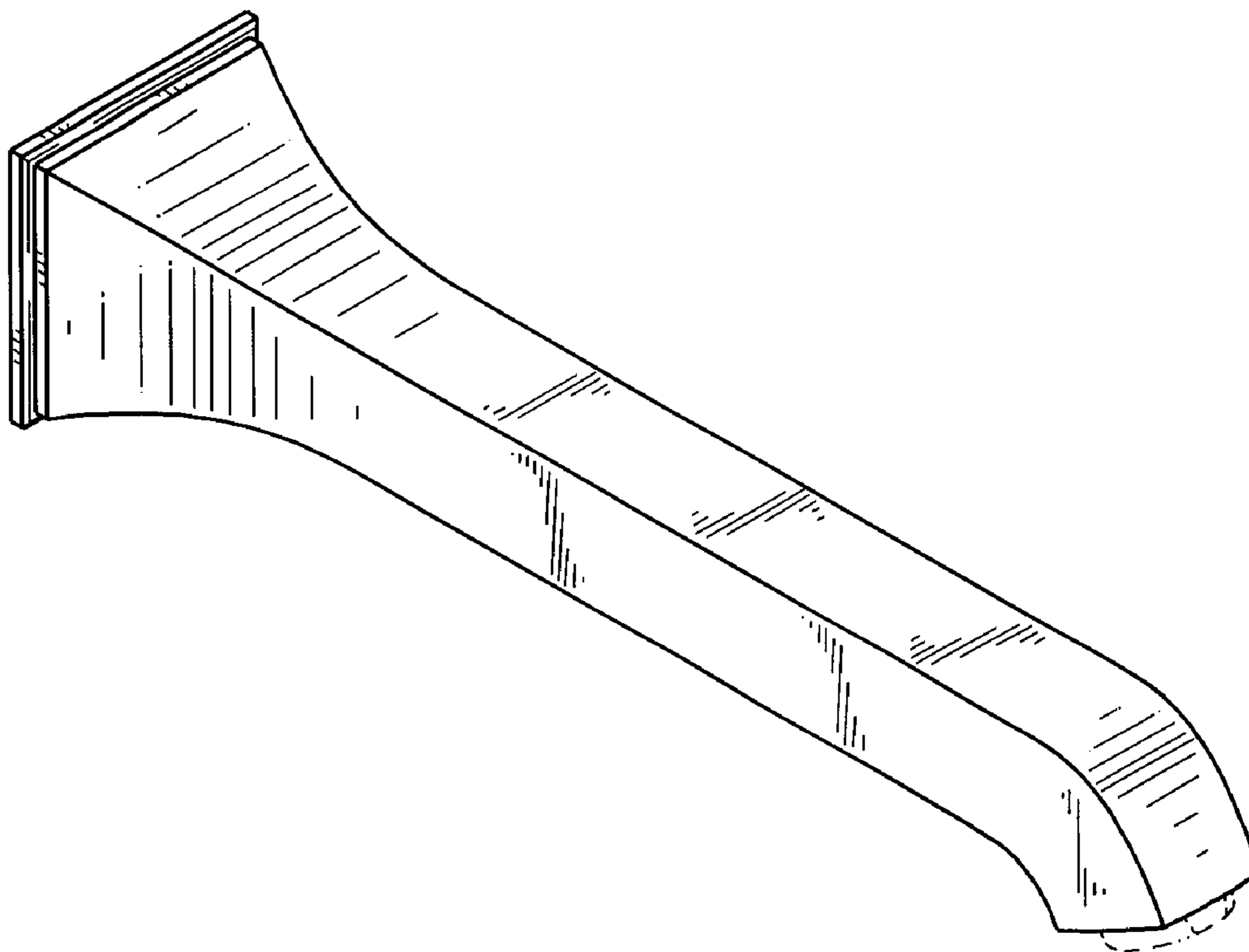
FIG. 4 is a front elevational view thereof;

FIG. 5 is a bottom plan view thereof; and,

FIG. 6 is a rear elevational view thereof.

The broken line representations of outlet structure in FIGS. 1, 2, 4 and 5 and of internal mounting structure in FIG. 6 are for the purpose of illustration only, and form no part of the claimed design.

1 Claim, 2 Drawing Sheets



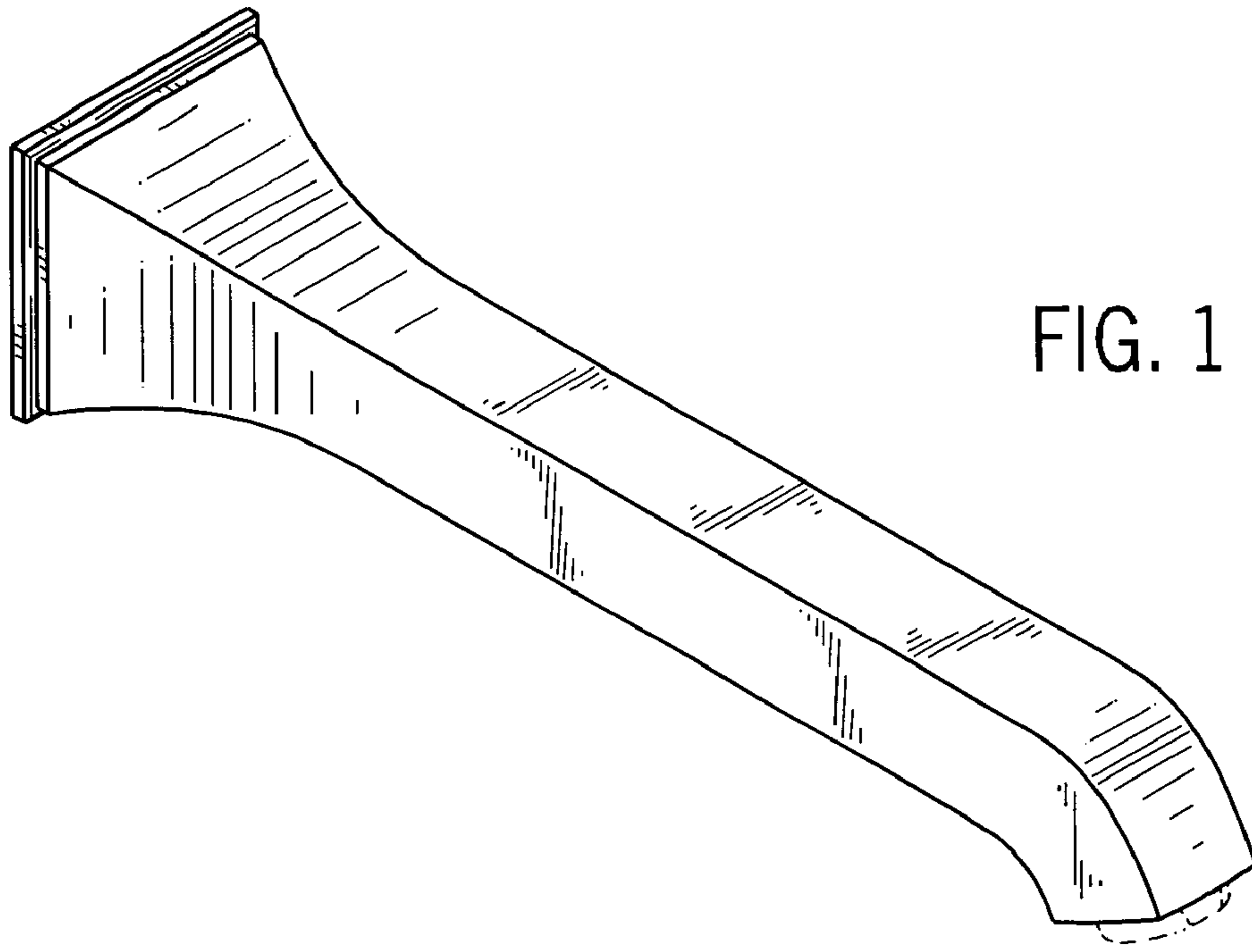


FIG. 1

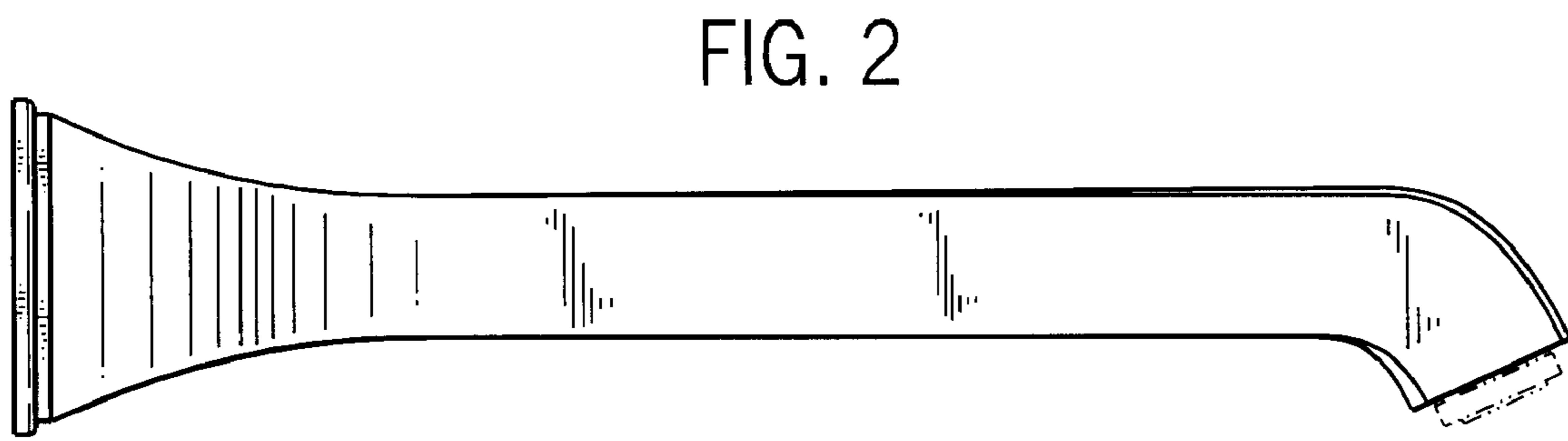


FIG. 2

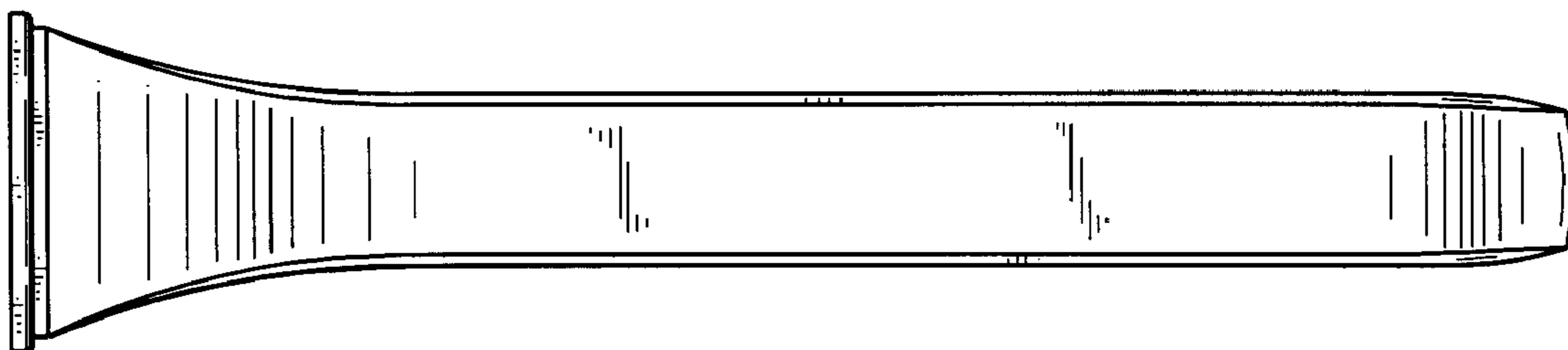


FIG. 3

FIG. 4

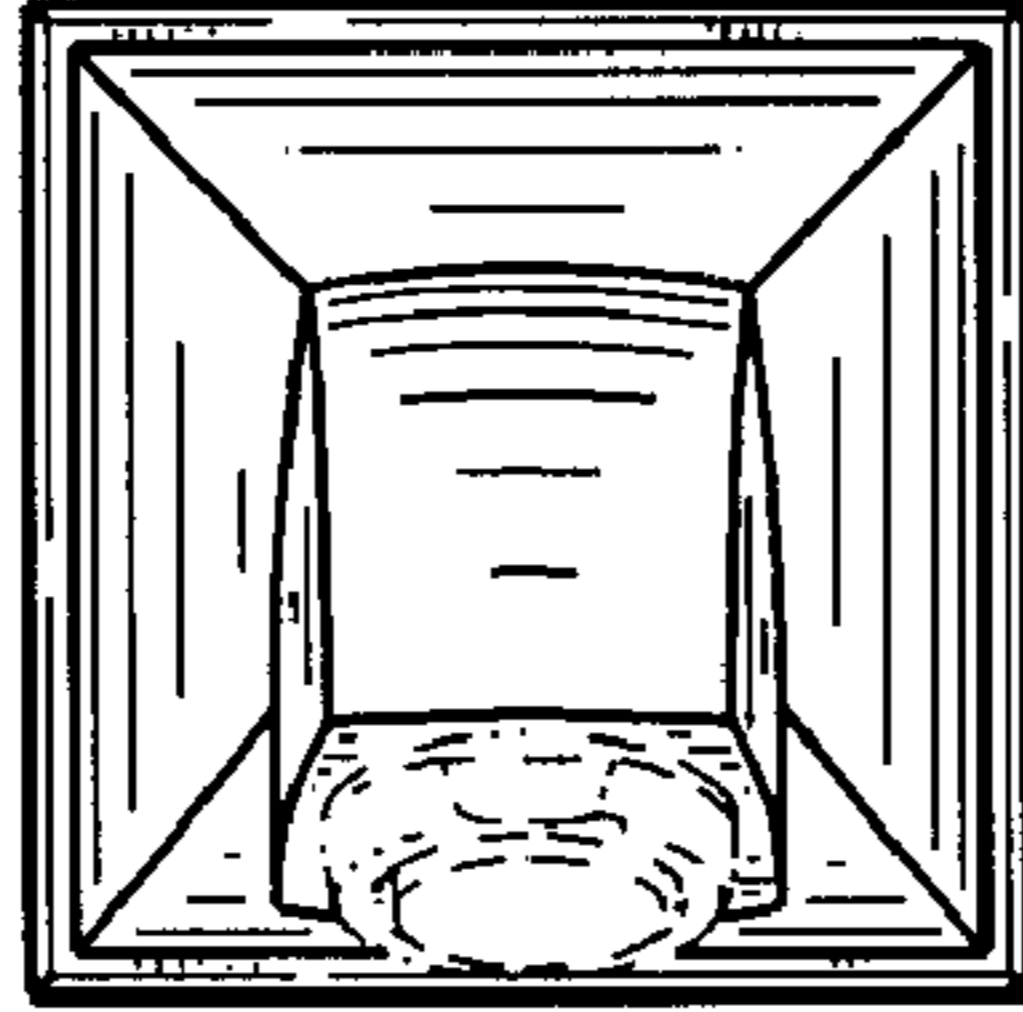


FIG. 5

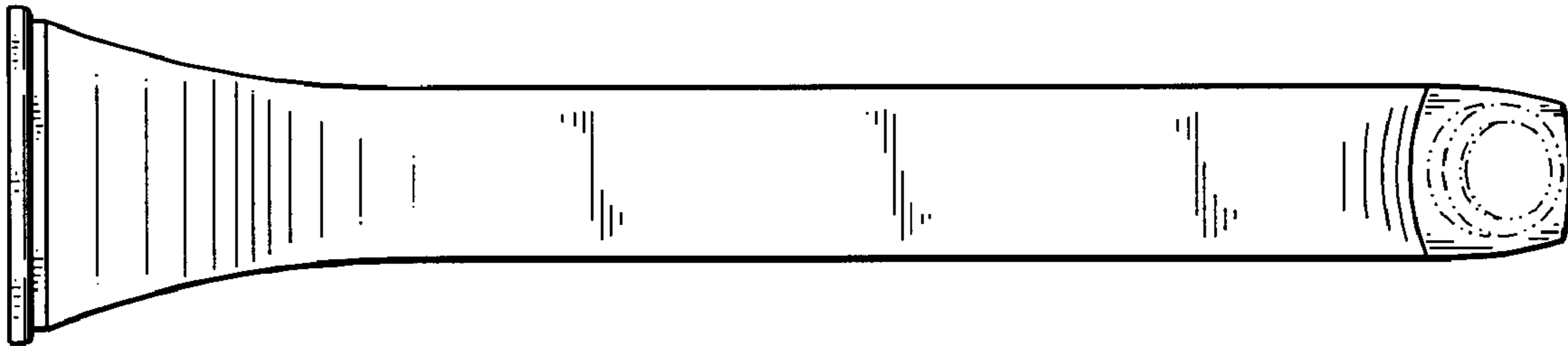


FIG. 6

