



US00D530792S

(12) **United States Design Patent**  
**Kohler, Jr. et al.**

(10) **Patent No.:** **US D530,792 S**  
(45) **Date of Patent:** **\*\* Oct. 24, 2006**

(54) **SPOUT**

D486,563 S 2/2004 Hsieh

(75) Inventors: **Herbert V. Kohler, Jr.**, Kohler, WI (US); **Howard M. Montgomery**, Sheboygan, WI (US); **Michael S. Smith**, Santa Monica, CA (US)

\* cited by examiner

*Primary Examiner*—Louis S. Zarfes  
*Assistant Examiner*—Gregory Andoll  
(74) *Attorney, Agent, or Firm*—Quarles Brady LLP

(73) Assignee: **Kohler Co.**, Kohler, WI (US)

(57) **CLAIM**

(\*\*) Term: **14 Years**

The ornamental design for a spout, as shown and described.

(21) Appl. No.: **29/209,411**

**DESCRIPTION**

(22) Filed: **Jul. 15, 2004**

In a preferred embodiment, the nature of this product is as a plumbing fixture primarily useful for washing various objects.

(51) **LOC (8) Cl.** ..... **23-01**

(52) **U.S. Cl.** ..... **D23/255; D23/238; D23/257**

(58) **Field of Classification Search** ..... D23/238–257;  
4/675–678; 137/801

FIG. 1 is a left, top, front perspective view of a spout according to our new design;

FIG. 2 is a left side elevational view thereof, the right side elevational view thereof being mirror image of the left side shown;

See application file for complete search history.

FIG. 3 is a top plan view thereof;

FIG. 4 is a front elevational view thereof;

FIG. 5 is a rear elevational view thereof;

FIG. 6 is a bottom plan view thereof; and,

FIG. 7 is a partial sectional view thereof taken along line 7–7 of FIG. 3.

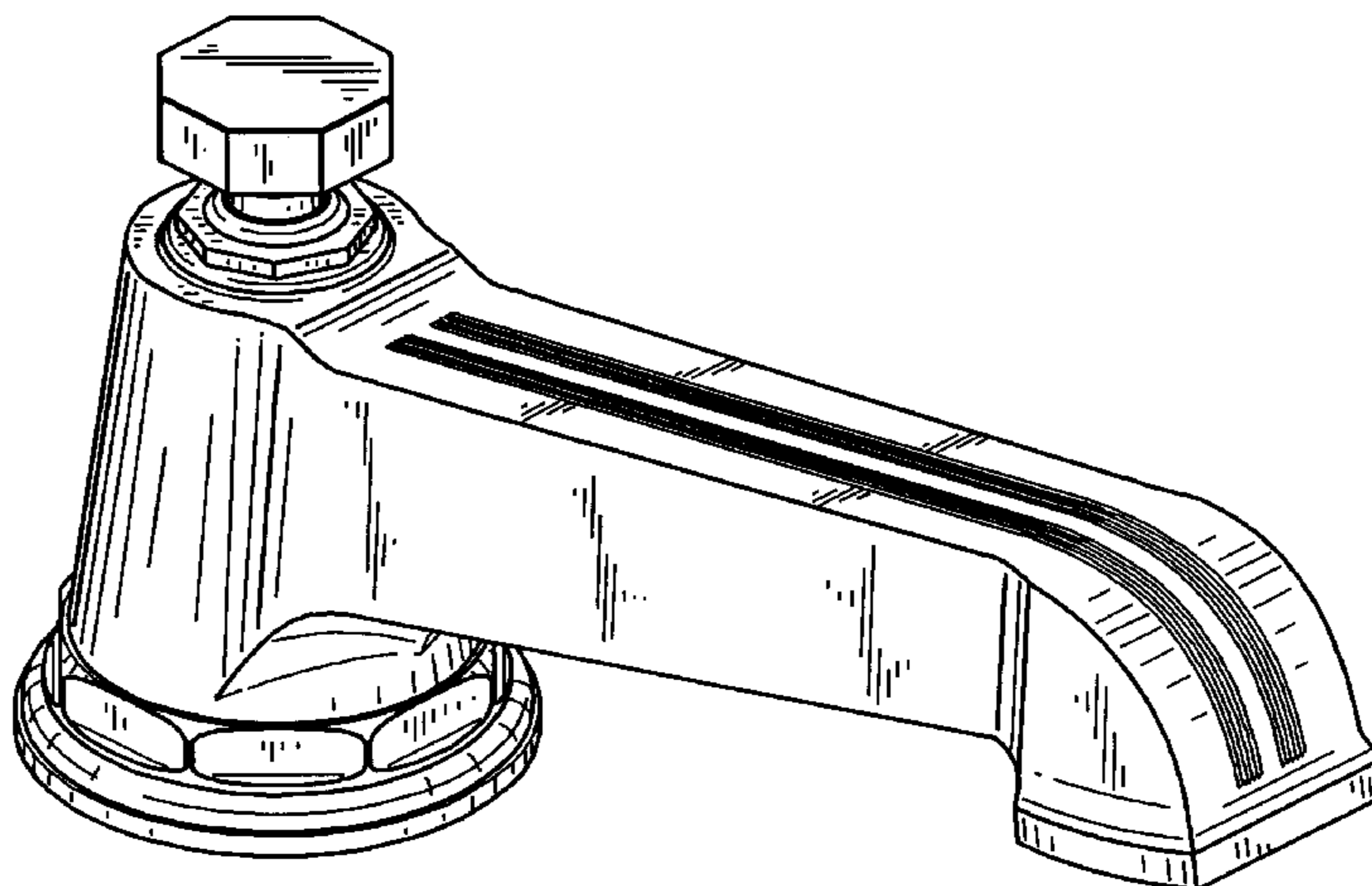
The broken line representations of an aerator in FIGS. 2 and 4 and of a mounting structure in FIG. 6 are for the purpose of illustration only, and form no part of the claimed design.

(56) **References Cited**

U.S. PATENT DOCUMENTS

D83,923 S	*	4/1931	Sakier	.....	D23/238
D87,829 S	*	9/1932	Ferguson	.....	D23/257
D117,171 S	*	10/1939	Fraser	.....	D23/257
D417,262 S		11/1999	Caplow		
D429,316 S		8/2000	McKeone		
D462,418 S	*	9/2002	Smith	.....	D23/238
D468,810 S	*	1/2003	Smith	.....	D23/257
D478,151 S		8/2003	Ouyoung		

**1 Claim, 3 Drawing Sheets**



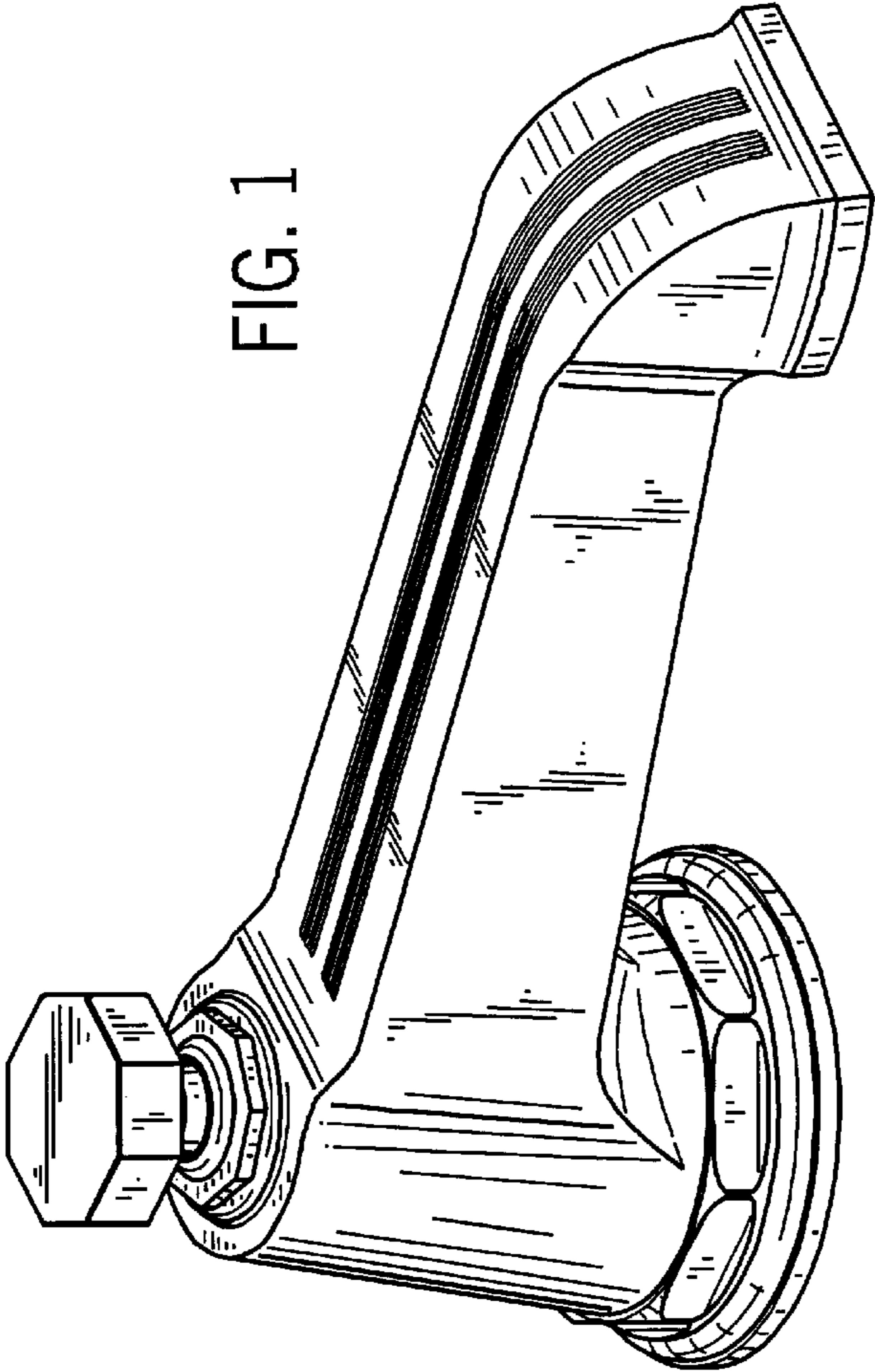


FIG. 1



FIG. 7

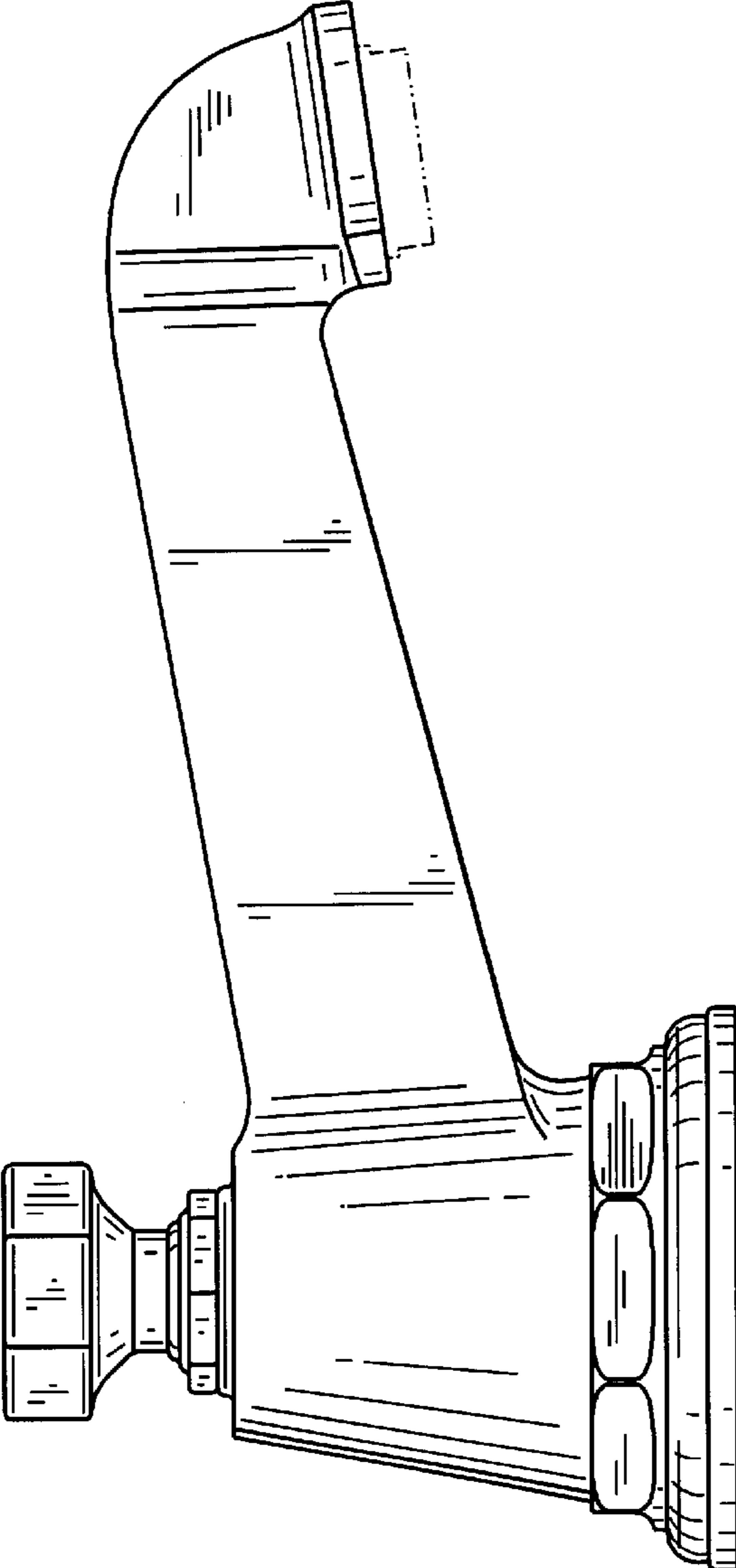


FIG. 2

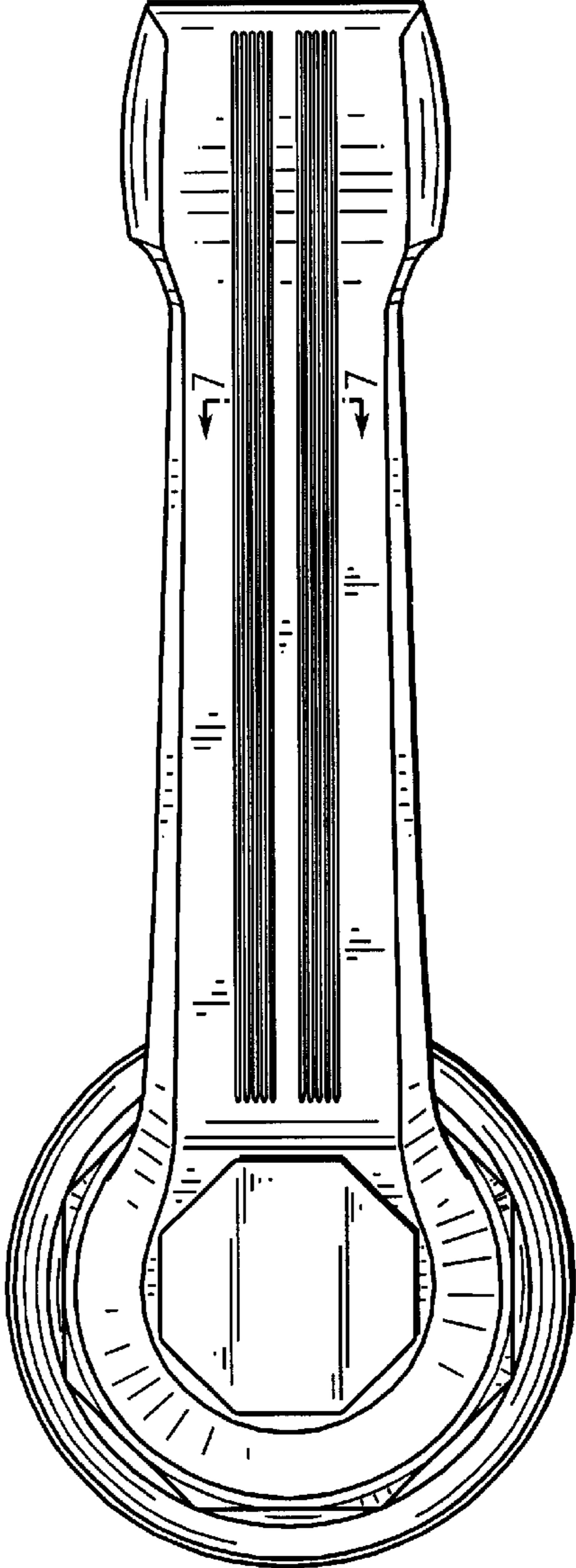


FIG. 3

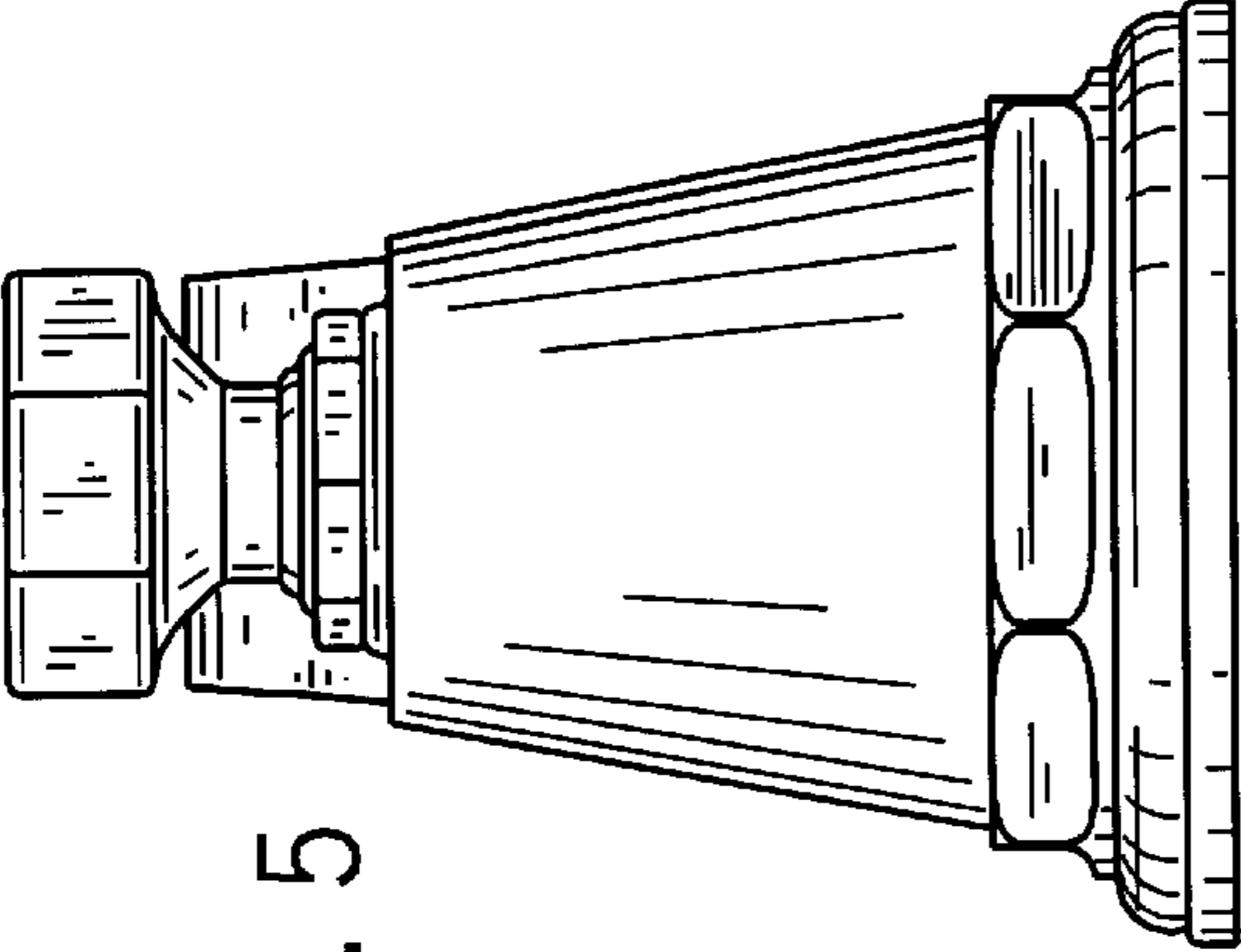


FIG. 5

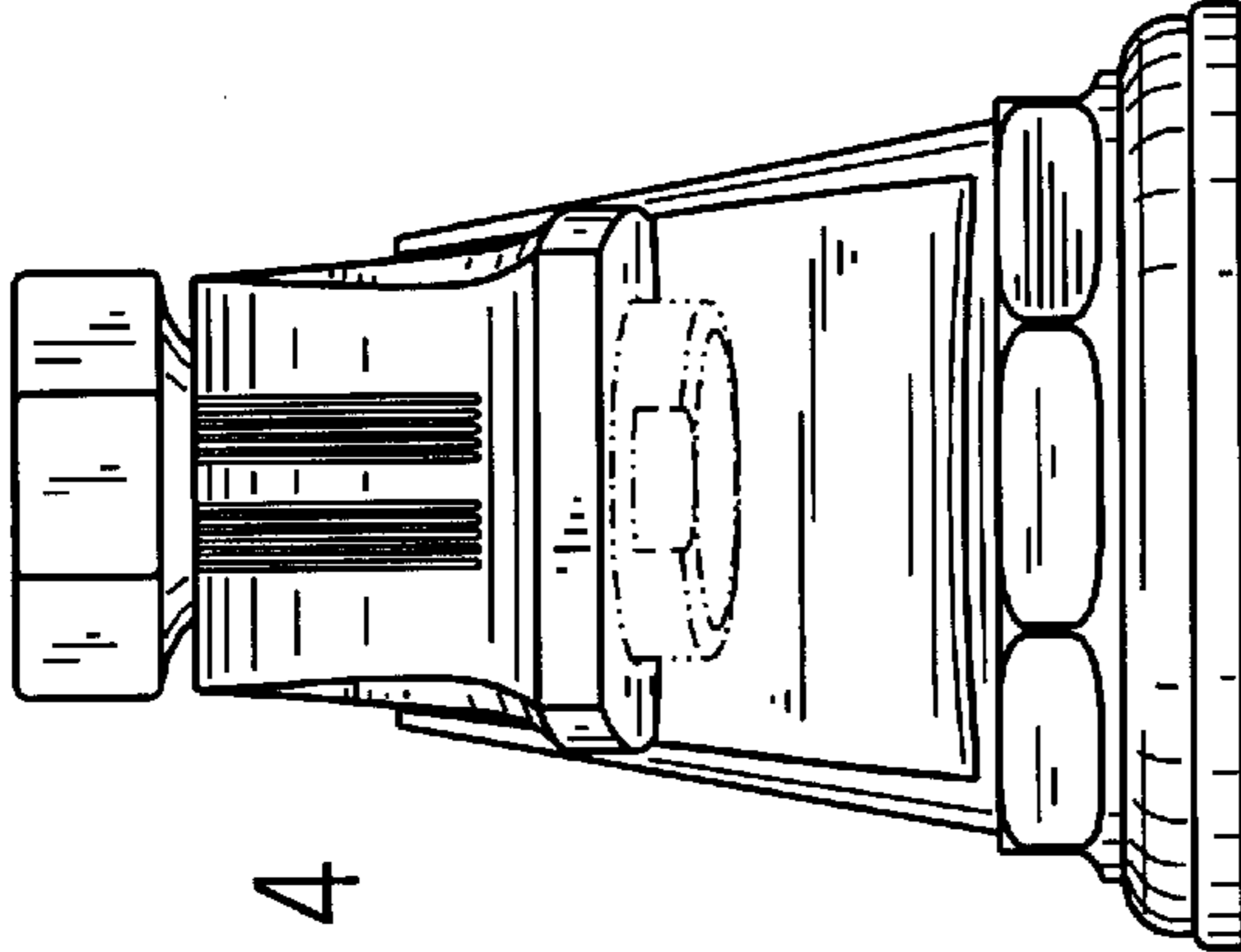


FIG. 4

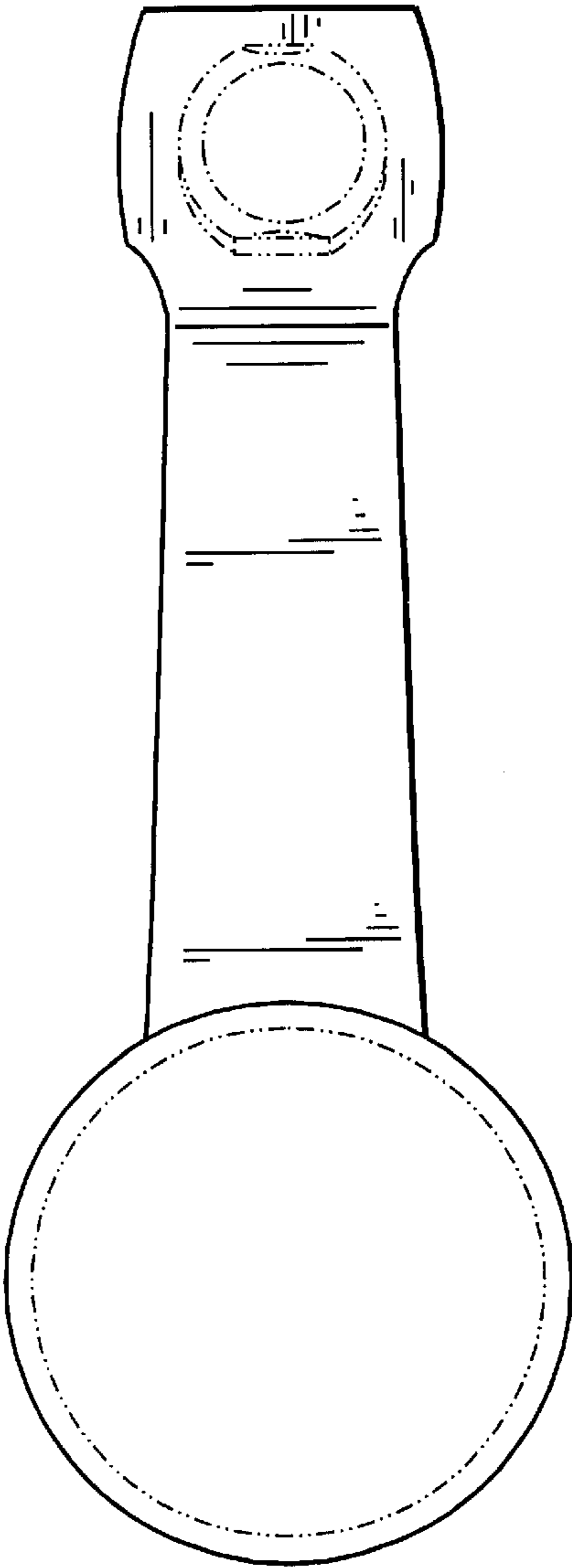


FIG. 6