



US00D530791S

(12) **United States Design Patent** (10) **Patent No.:** **US D530,791 S**
Kohler, Jr. et al. (45) **Date of Patent:** **** Oct. 24, 2006**

(54) **PLUMBING CONTROL**

(75) Inventors: **Herbert V. Kohler, Jr.**, Kohler, WI (US); **Howard M. Montgomery**, Sheboygan, WI (US); **Michael S. Smith**, Santa Monica, CA (US)

(73) Assignee: **Kohler Co.**, Kohler, WI (US)

(**) Term: **14 Years**

(21) Appl. No.: **29/209,412**

(22) Filed: **Jul. 15, 2004**

(51) **LOC (8) Cl.** **23-01**

(52) **U.S. Cl.** **D23/254**

(58) **Field of Classification Search** D23/238–257;
D8/300–322, 350–353, DIG. 3; 16/110.1;
4/675–678; 137/801

See application file for complete search history.

(56) **References Cited**

U.S. PATENT DOCUMENTS

| | | | | | |
|------------|---|---------|-------------|-------|---------|
| D76,995 S | * | 11/1928 | Fraser | | D23/254 |
| D324,726 S | * | 3/1992 | Bonnell | | D23/254 |
| D425,604 S | | 5/2000 | Fleischmann | | |
| D494,253 S | * | 8/2004 | Citterio | | D23/245 |

* cited by examiner

Primary Examiner—Louis S. Zarfes

Assistant Examiner—Gregory Andoll

(74) *Attorney, Agent, or Firm*—Quarles & Brady LLP

(57) **CLAIM**

The ornamental design for a plumbing control, as shown and described.

DESCRIPTION

In a preferred embodiment, the nature of this product is as a plumbing fitting in the form of a shower and bath control. FIG. 1 is a left, top, front perspective view of a plumbing control according to another embodiment of our new design, the top and bottom plan views thereof being identical to FIG. 3;

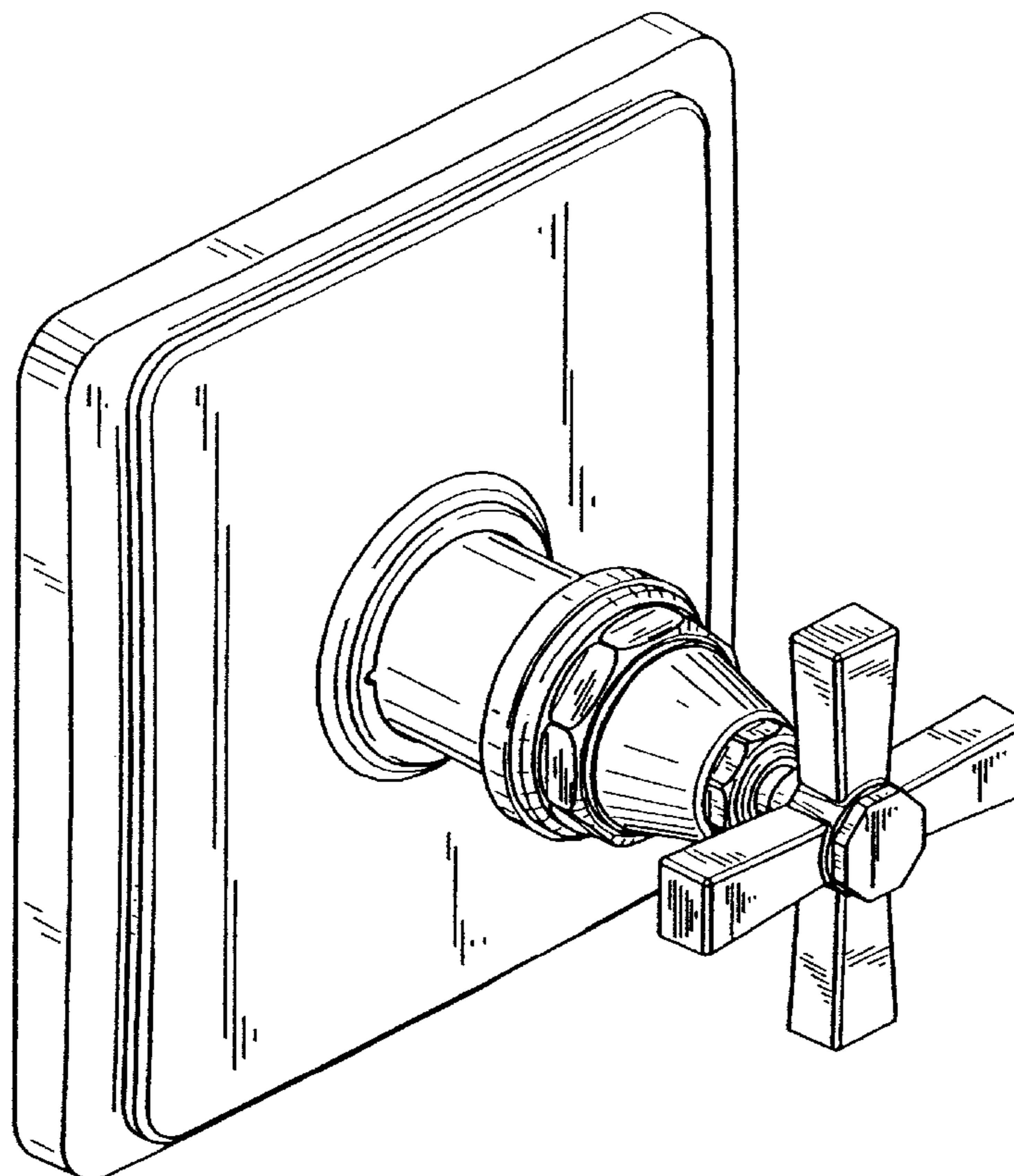
FIG. 2 is a front elevational view thereof;

FIG. 3 is a top plan view thereof the bottom view thereof being a mirror image of the top view shown;

FIG. 4 is a left side elevational view thereof, the right side elevational view thereof being a mirror image of the left side shown; and,

FIG. 5 is a left, top, front perspective view of a plumbing control according to another embodiment of our new design, the top and bottom plan views thereof being identical to FIG. 3, the front elevational view thereof being identical to FIG. 2, and the left side elevational view thereof being identical to FIG. 4, the right side elevational view being a mirror image of the left side shown in FIG. 4.

1 Claim, 4 Drawing Sheets



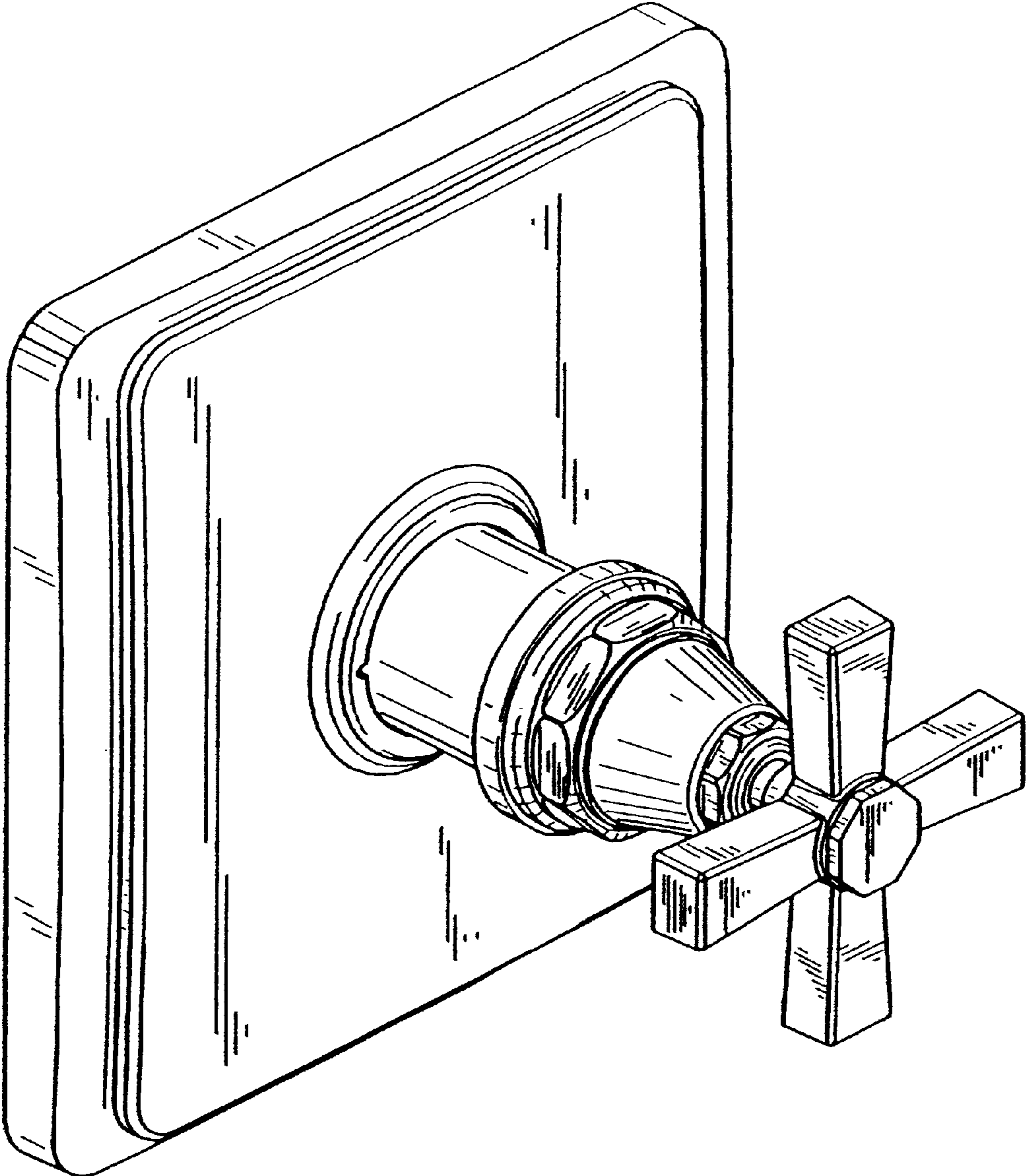


FIG. 1

FIG. 2

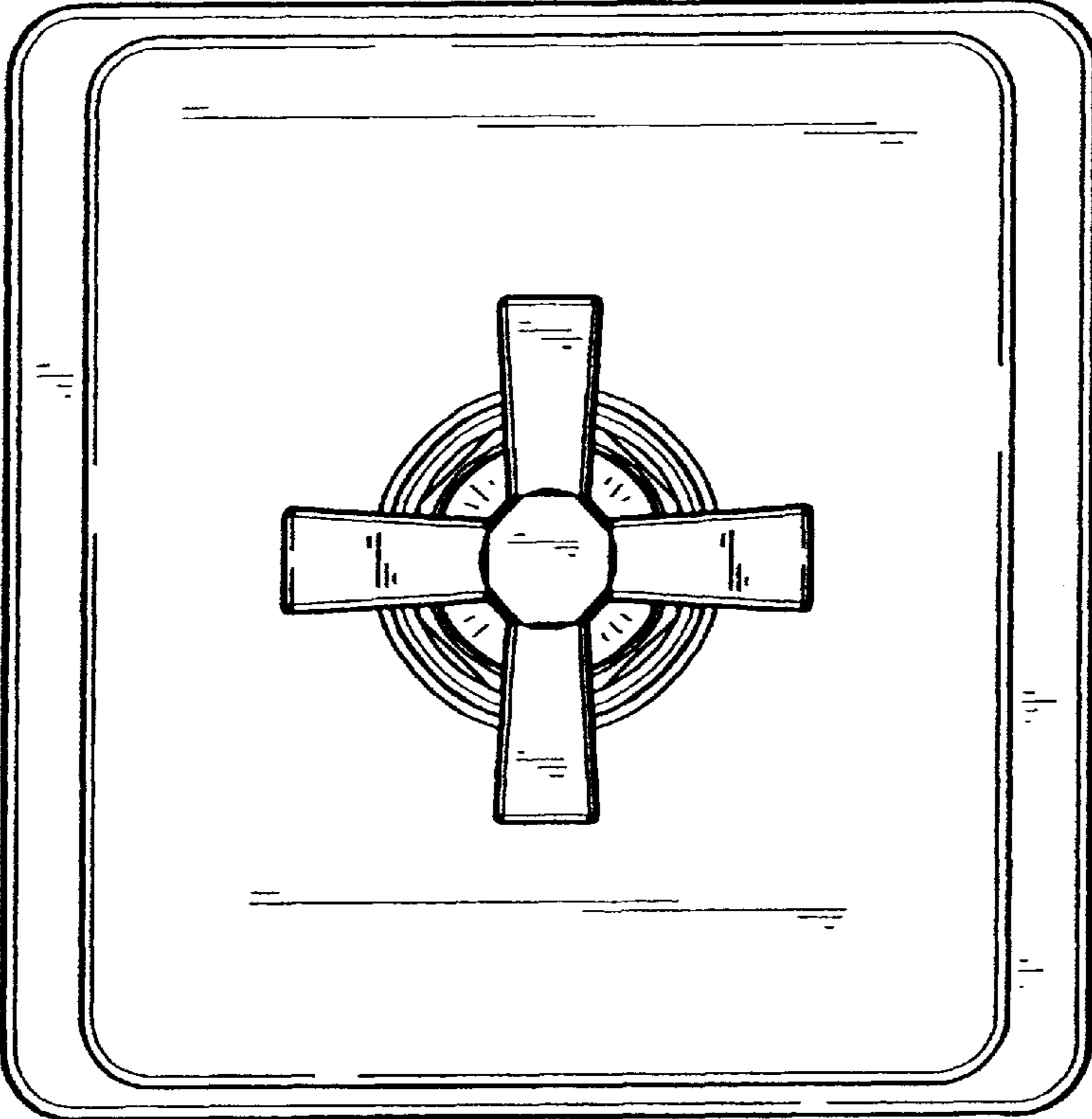
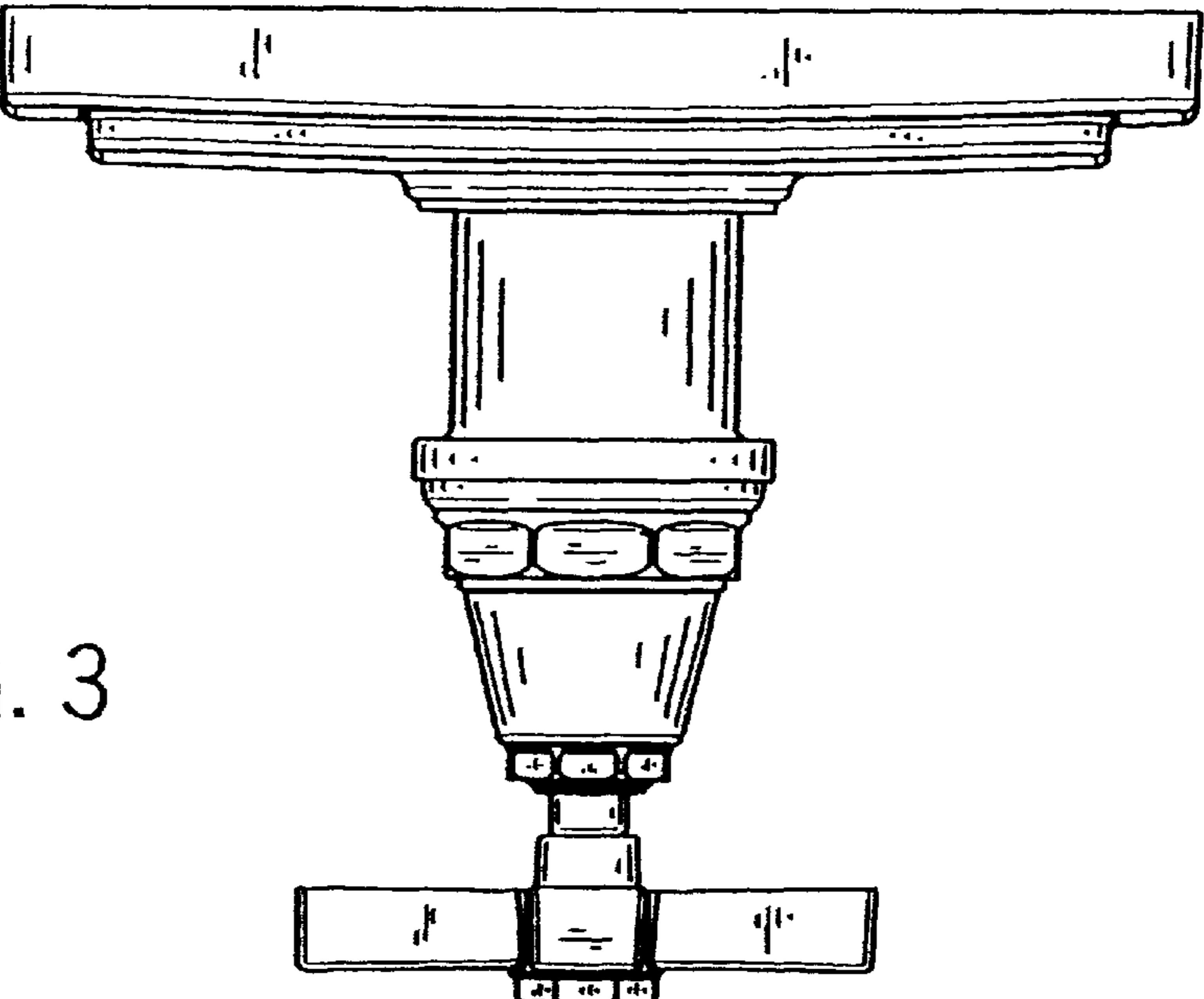


FIG. 3



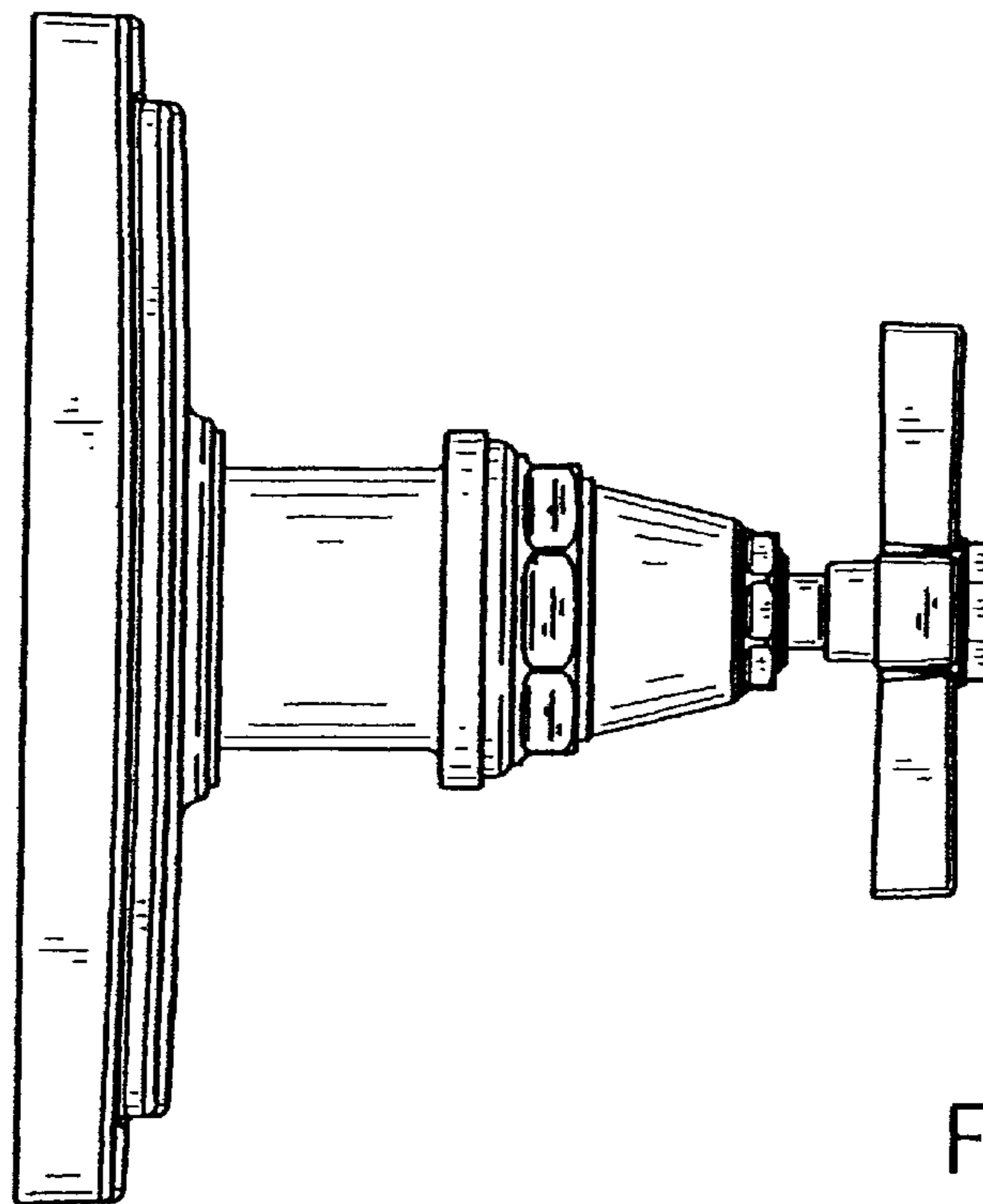


FIG. 4

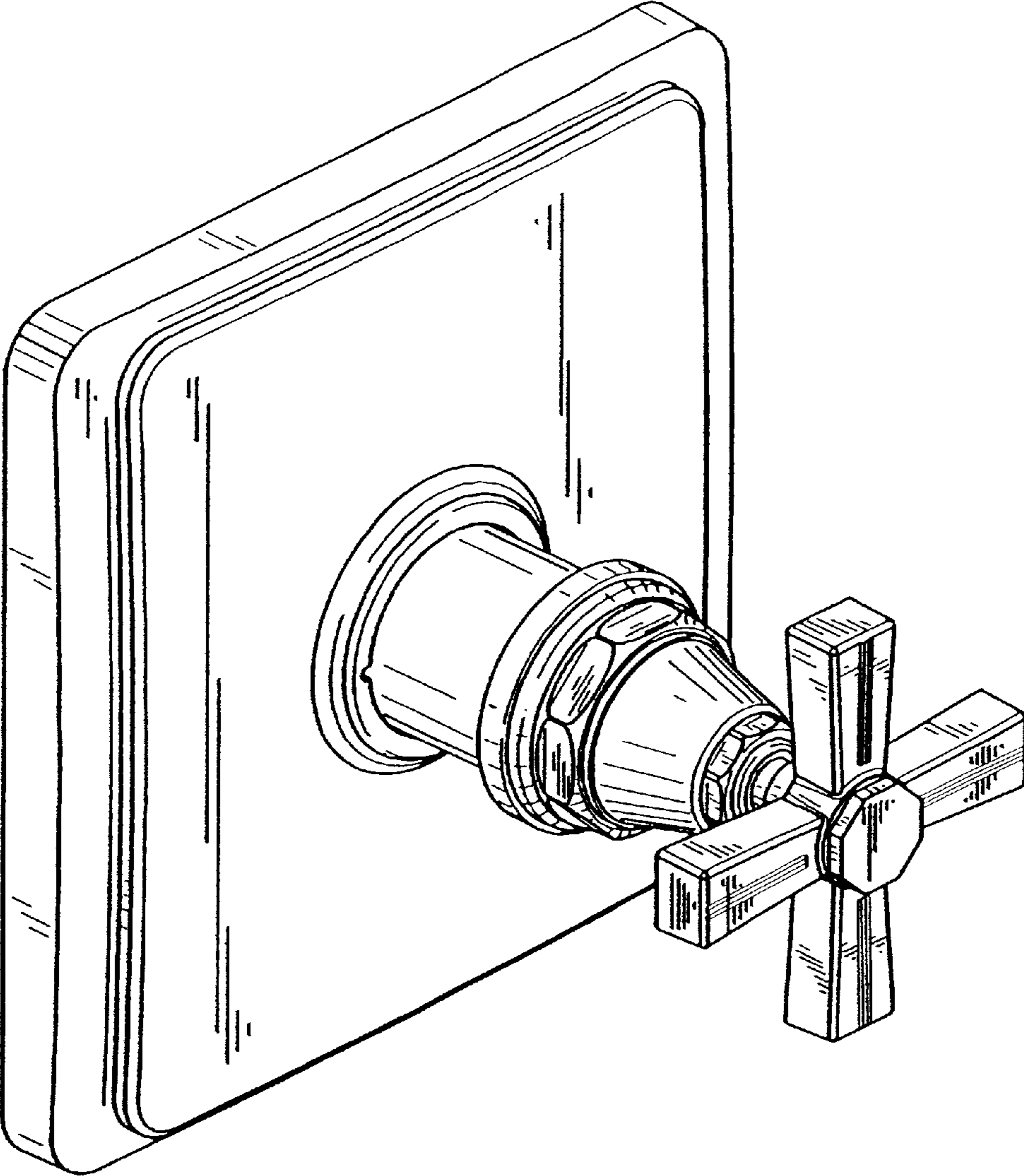


FIG. 5

UNITED STATES PATENT AND TRADEMARK OFFICE
CERTIFICATE OF CORRECTION

PATENT NO. : Des. 530,791 S
APPLICATION NO. : 29/209412
DATED : October 24, 2006
INVENTOR(S) : Kohler, Jr. et al.

Page 1 of 1

It is certified that error appears in the above-identified patent and that said Letters Patent is hereby corrected as shown below:

Title Page,


In the Description, please replace the description for Figs. 1 and 5 to read:

--Fig. 1 is a left, top, front perspective view of a plumbing control according to our new design;

Fig. 5 is left, top, front perspective view of a plumbing control according to another embodiment of our new design, the top and bottom plan views thereof being identical to Fig. 3, and the left side elevational view thereof being identical to Fig. 4.--

Signed and Sealed this

Twenty-first Day of August, 2007

A handwritten signature in black ink on a light gray dotted background. The signature reads "Jon W. Dudas" in a cursive style.

JON W. DUDAS

Director of the United States Patent and Trademark Office