



US00D530790S

(12) **United States Design Patent** (10) **Patent No.:** **US D530,790 S**  
**Kohler, Jr. et al.** (45) **Date of Patent:** **\*\* Oct. 24, 2006**

(54) **HANDLE**

(75) Inventors: **Herbert V. Kohler, Jr.**, Kohler, WI (US); **Howard M. Montgomery**, Sheboygan, WI (US); **Michael S. Smith**, Santa Monica, CA (US)

(73) Assignee: **Kohler Co.**, Kohler, WI (US)

(\*\*) Term: **14 Years**

(21) Appl. No.: **29/209,410**

(22) Filed: **Jul. 15, 2004**

(51) **LOC (8) Cl.** ..... **23-01**

(52) **U.S. Cl.** ..... **D23/252**

(58) **Field of Classification Search** ..... D23/238–257;  
D8/300–322, 350–353, DIG. 3; 16/110.1;  
4/675–678; 137/801

See application file for complete search history.

(56) **References Cited**

**U.S. PATENT DOCUMENTS**

D76,995 S	*	11/1928	Fraser	.....	D23/254
D78,614 S	*	5/1929	Brown	.....	D23/250
D86,627 S	*	4/1932	Ferguson	.....	D23/250
D466,987 S	*	12/2002	Smith	.....	D23/250

\* cited by examiner

*Primary Examiner*—Louis S. Zarfes

*Assistant Examiner*—Gregory Andoll

(74) *Attorney, Agent, or Firm*—Quarles & Brady LLP

(57) **CLAIM**

The ornamental design for a handle, as shown and described.

**DESCRIPTION**

In a preferred embodiment, the nature of this product is as a handle for a plumbing fitting such as a valve handle.

FIG. 1 is a right, top, front perspective view of a handle according to our new design;

FIG. 2 is a front elevational view thereof, the rear, right side and left side elevational views thereof being identical to the front elevational view shown;

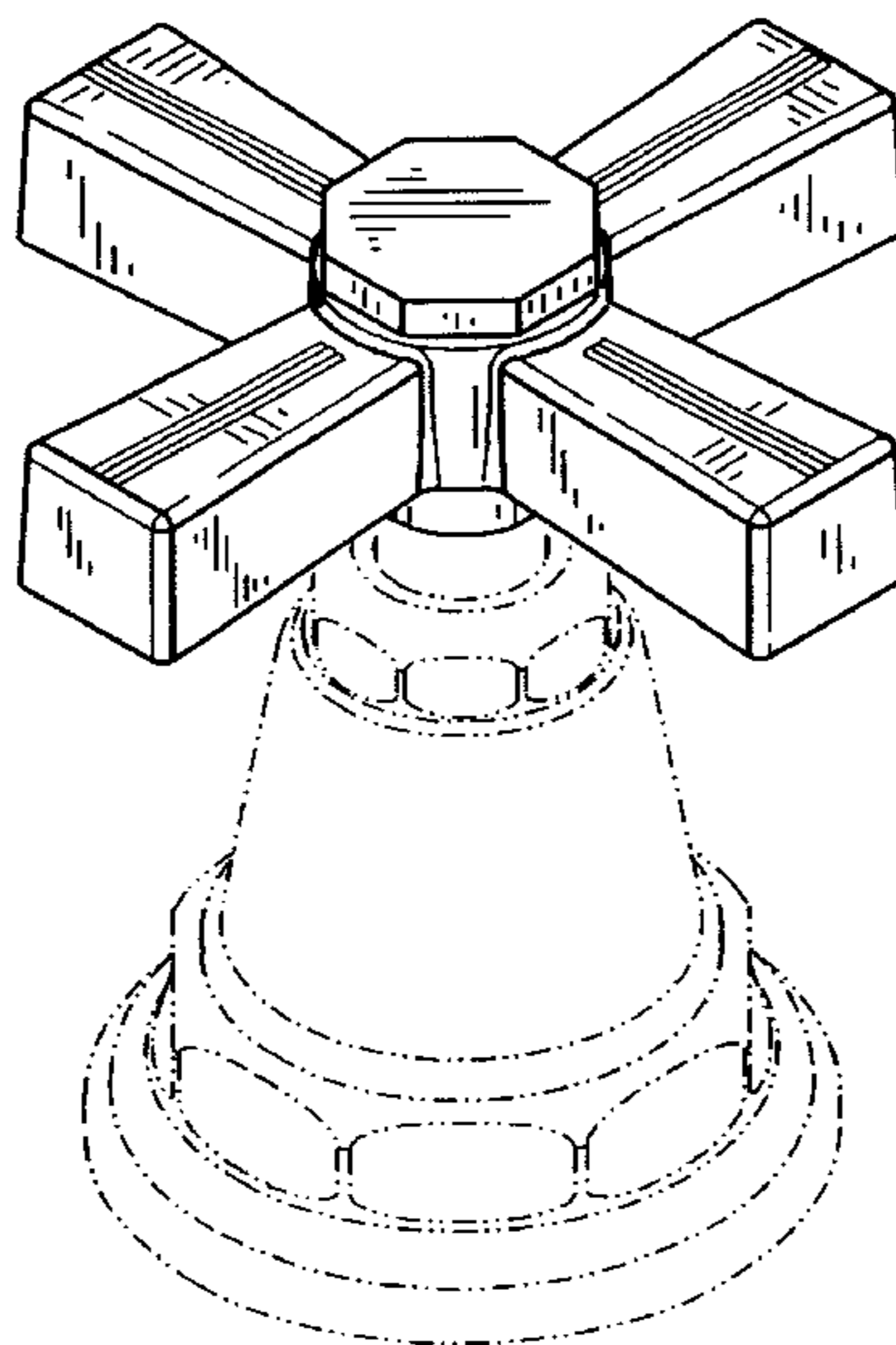
FIG. 3 is a top plan view thereof;

FIG. 4 is a bottom plan view thereof; and,

FIG. 5 is a partial sectional view thereof taken along line 5—5 of FIG. 3.

The broken line representations of a mounting structure in FIG. 4 and an escutcheon in FIGS. 1–3 are for the purpose of illustration only, and form no part of the claimed design.

**1 Claim, 2 Drawing Sheets**



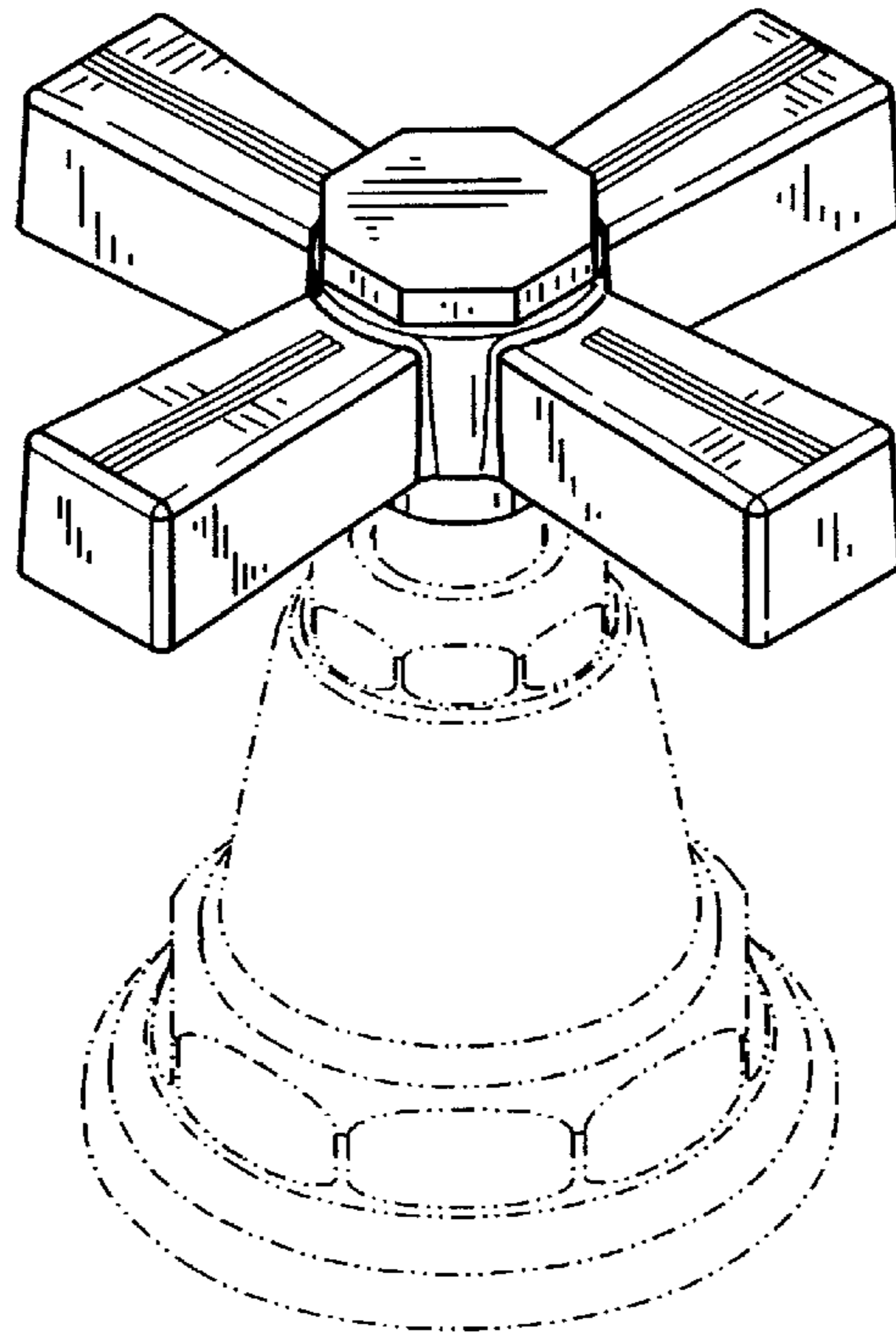


FIG. 1

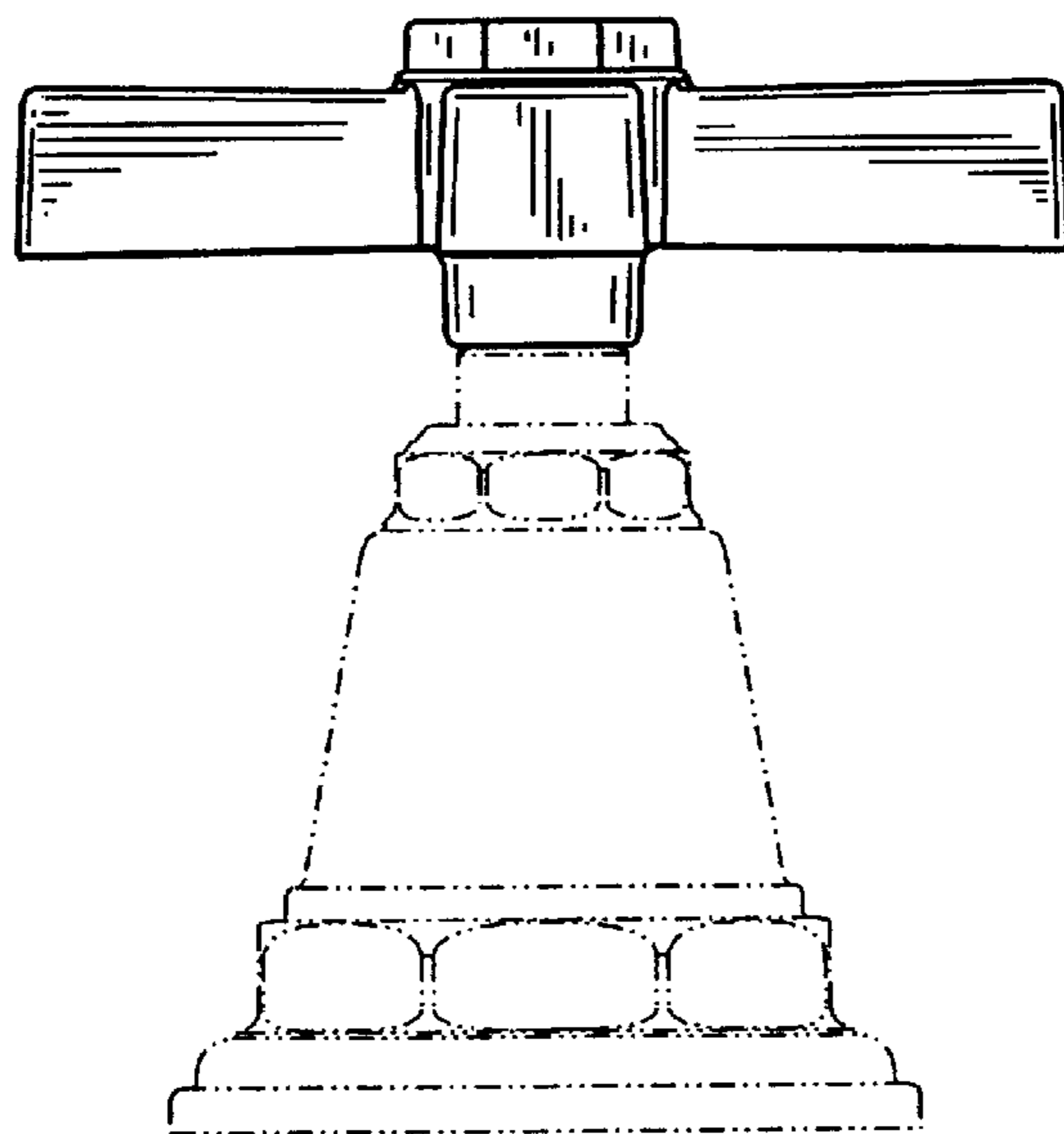


FIG. 2

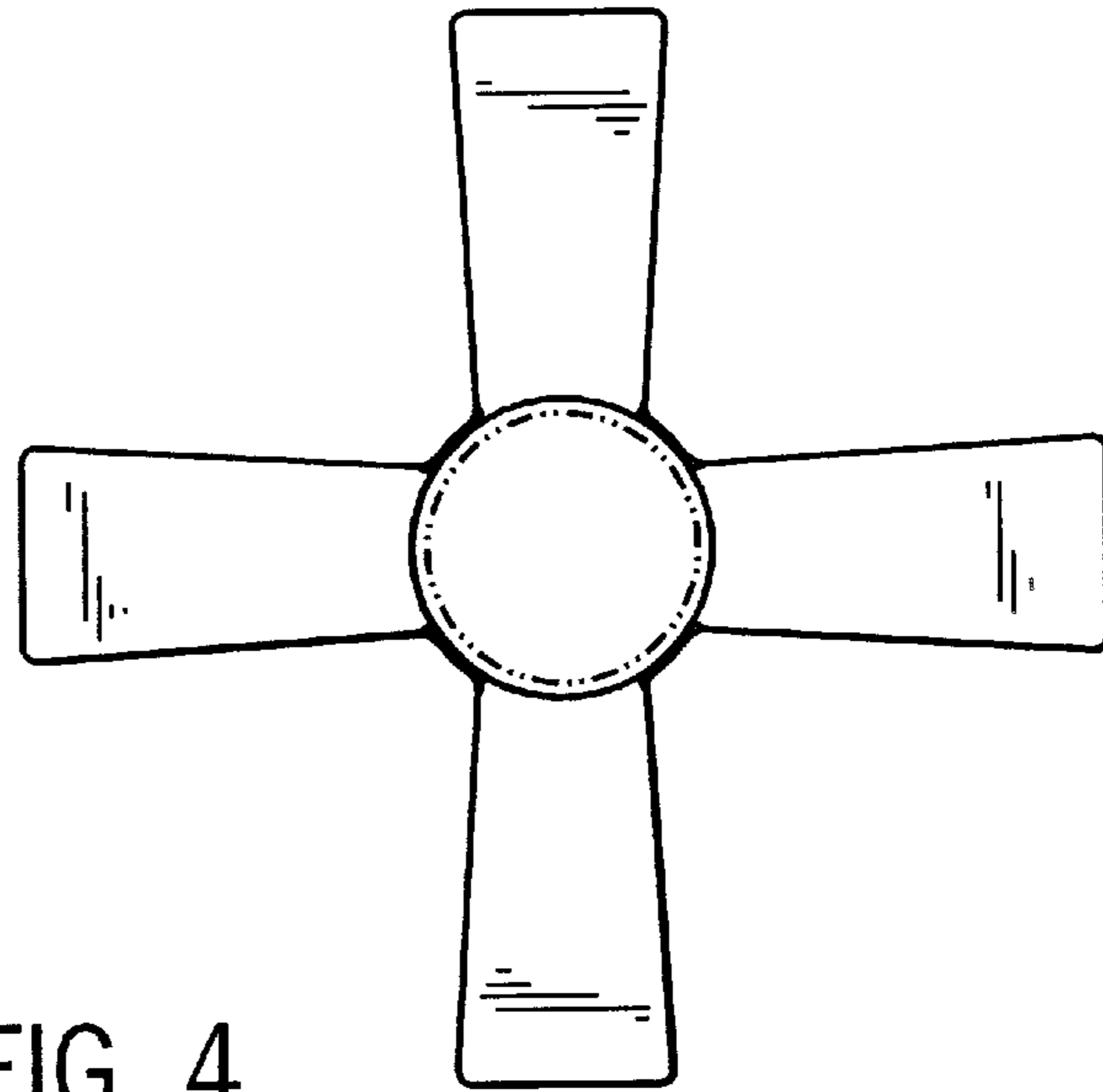
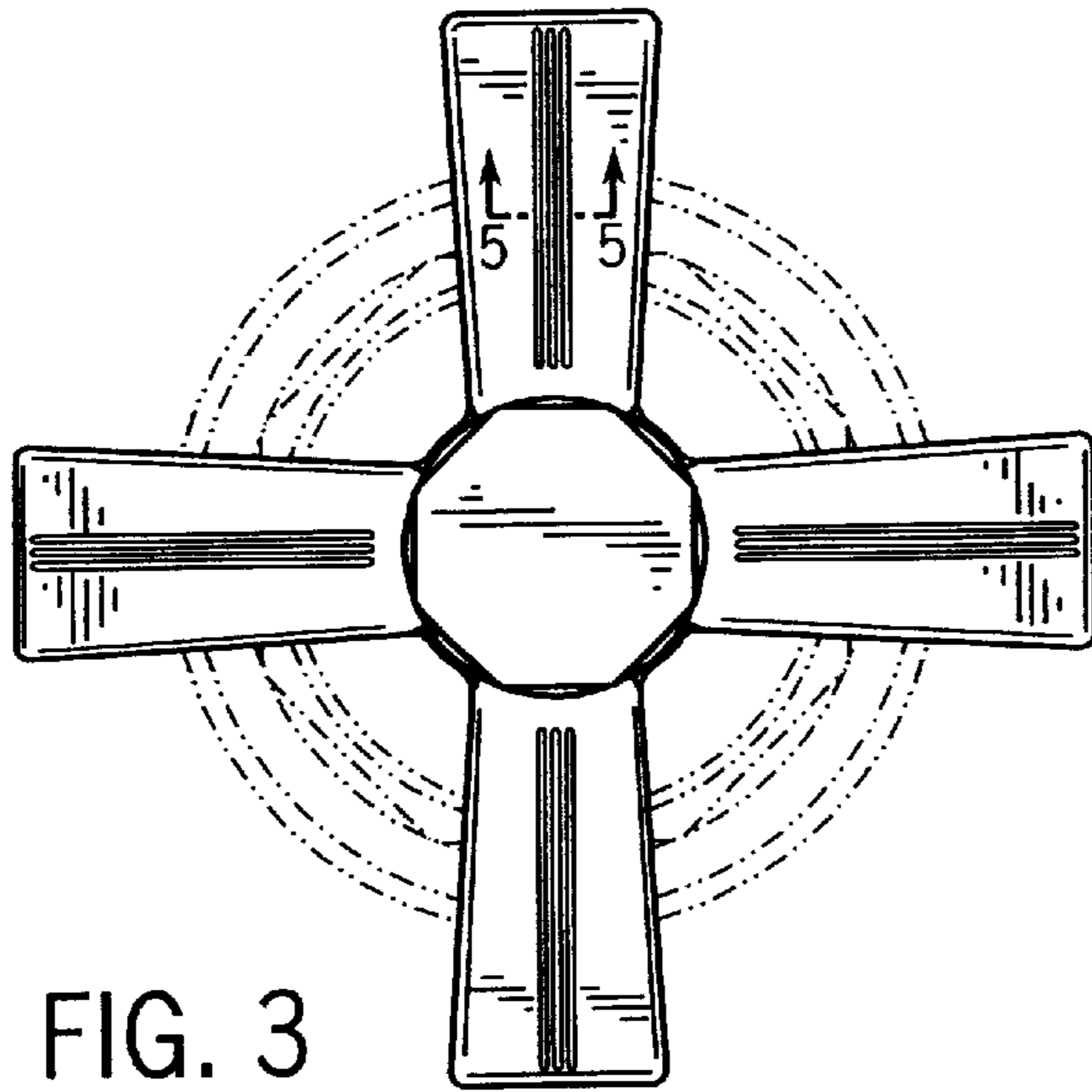


FIG. 5