



US00D530787S

(12) **United States Design Patent**
Yoshioka et al.

(10) **Patent No.:** **US D530,787 S**

(45) **Date of Patent:** **** Oct. 24, 2006**

(54) **FAUCET**

(75) Inventors: **Yuji Yoshioka**, Kitakyushu (JP);
Hajime Kakihana, Kitakyushu (JP)

(73) Assignee: **Toto Ltd.**, Kitakyushu (JP)

(**) Term: **14 Years**

(21) Appl. No.: **29/239,058**

(22) Filed: **Sep. 27, 2005**

(30) **Foreign Application Priority Data**

Mar. 28, 2005 (JP) 2005-008999

(51) **LOC (8) Cl.** **23-01**

(52) **U.S. Cl.** **D23/238; D23/255**

(58) **Field of Classification Search** D23/238-257;
4/675-678; 137/801

See application file for complete search history.

(56) **References Cited**

U.S. PATENT DOCUMENTS

D311,438 S * 10/1990 Strignano D23/242

D326,505 S * 5/1992 Kohler et al. D23/255
D441,060 S * 4/2001 Lefroy-Brooks D23/255
D514,198 S * 1/2006 Starck D23/238

* cited by examiner

Primary Examiner—Louis S. Zarfaz

Assistant Examiner—Gregory Andoll

(74) *Attorney, Agent, or Firm*—Birch, Stewart, Kolasch &
Birch, LLP

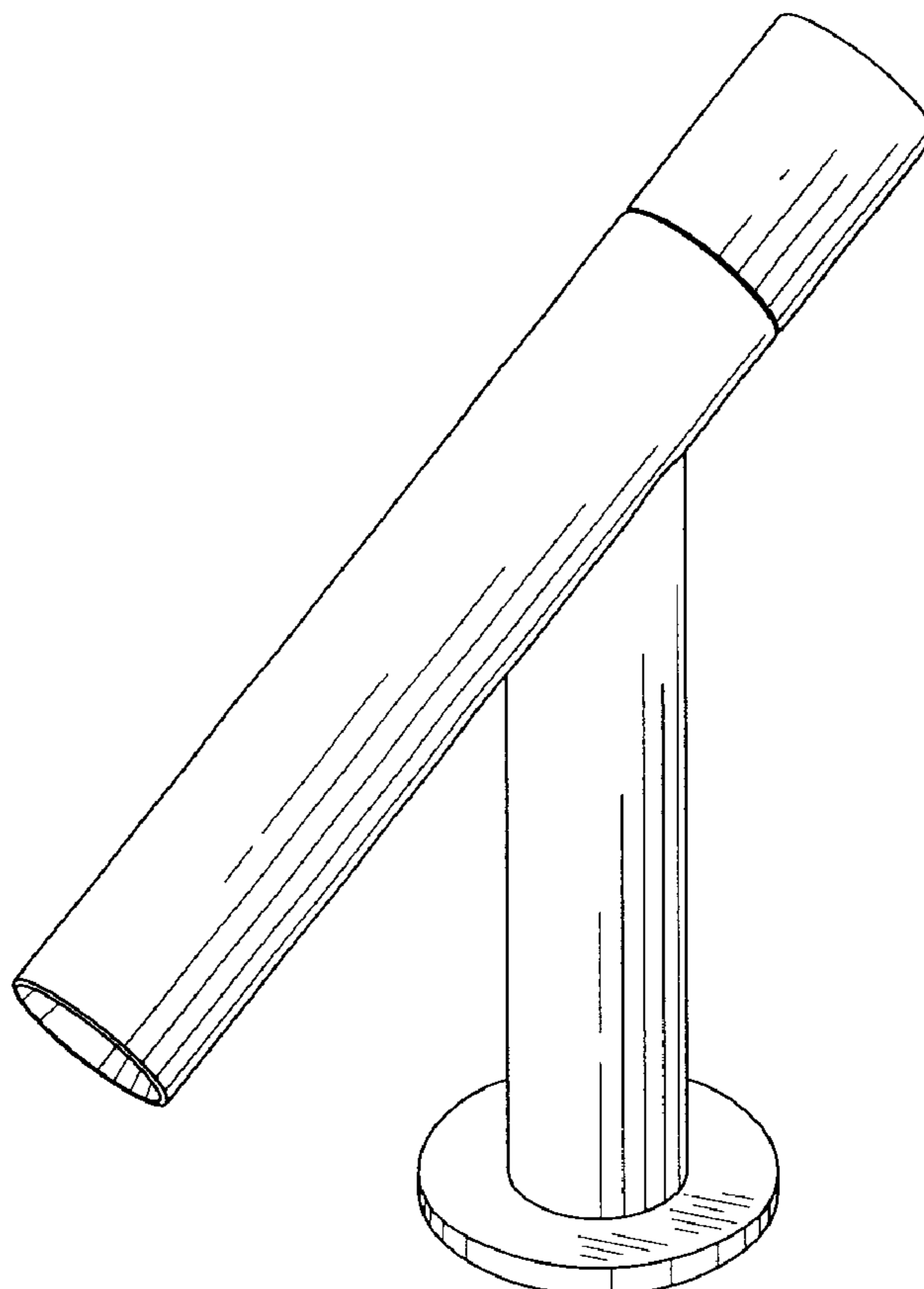
(57) **CLAIM**

The ornamental design for a faucet, as shown and described.

DESCRIPTION

FIG. 1 is a perspective view of the top, front and right side of a faucet showing our new design; FIG. 2 is a front view thereof; FIG. 3 is a rear view thereof; FIG. 4 is a left side view thereof; FIG. 5 is a right side view thereof; FIG. 6 is a top plan view thereof; and, FIG. 7 is a bottom view thereof.

1 Claim, 4 Drawing Sheets



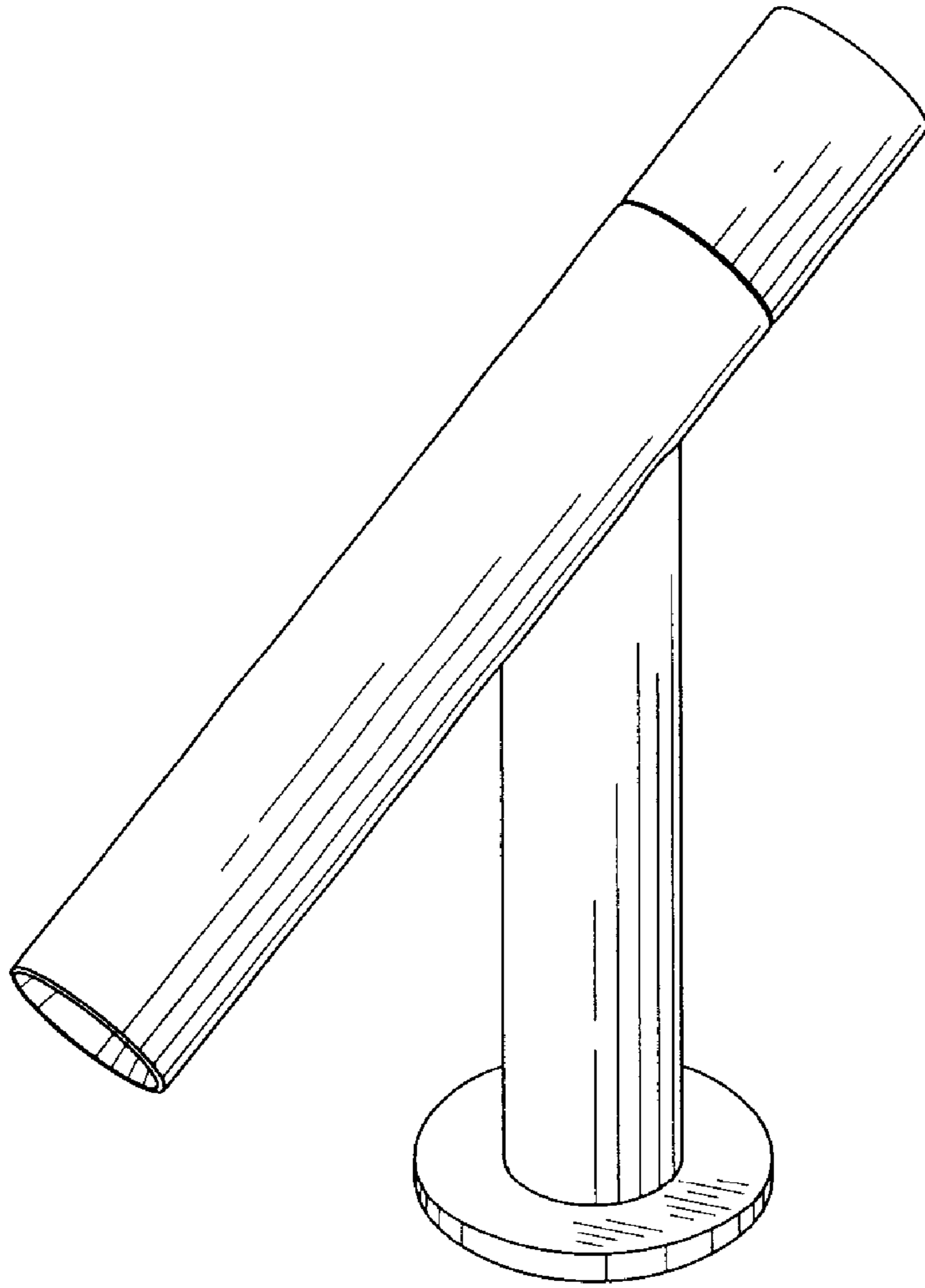


FIG. 1

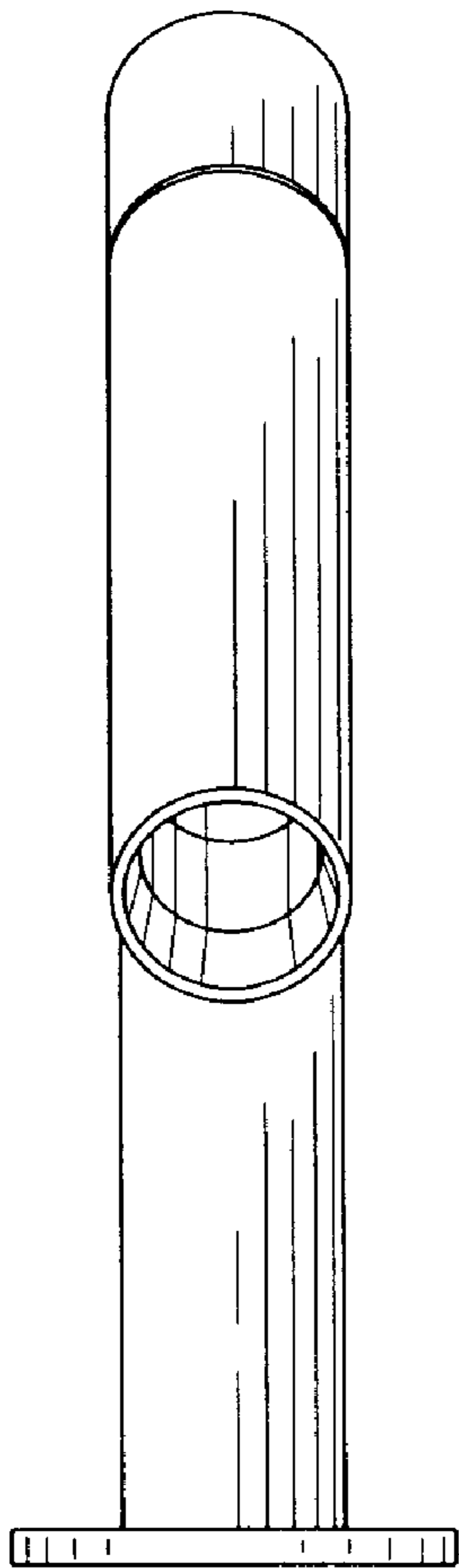


FIG. 2

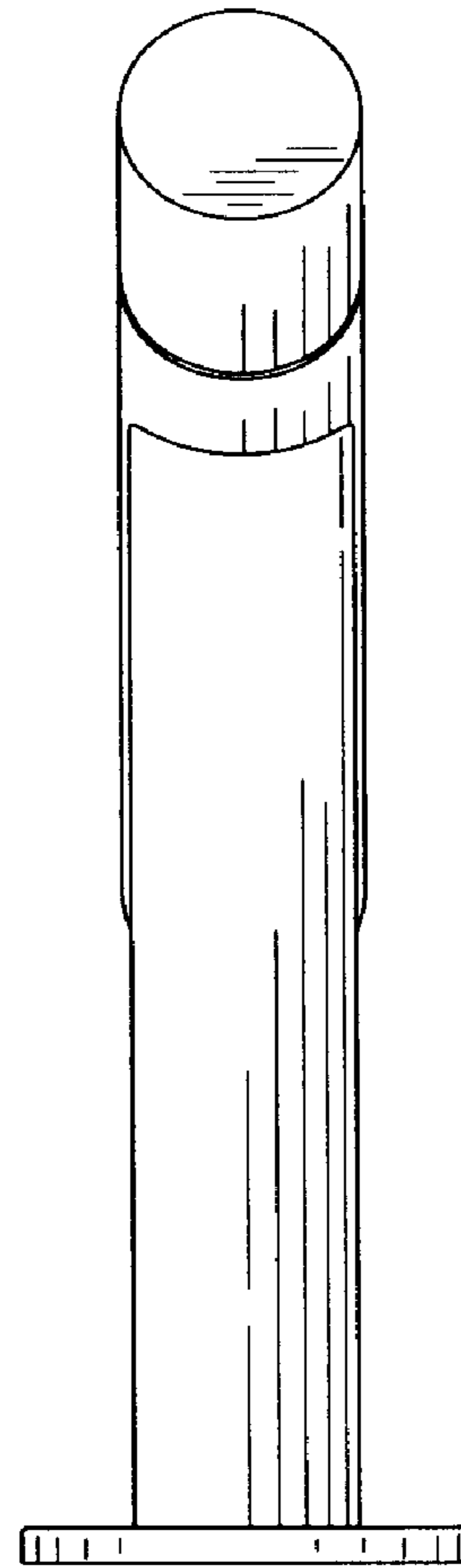


FIG. 3

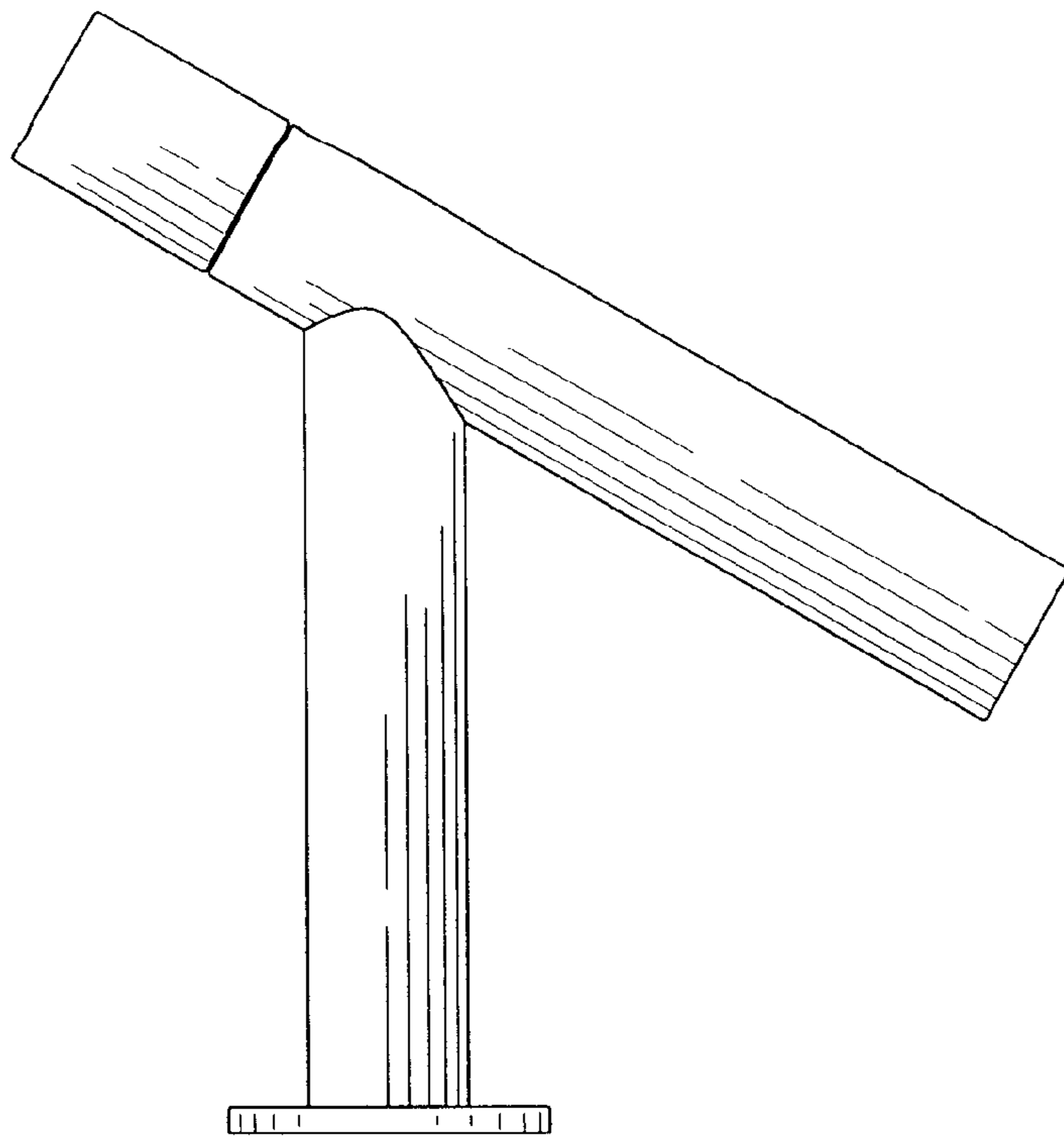


FIG. 4

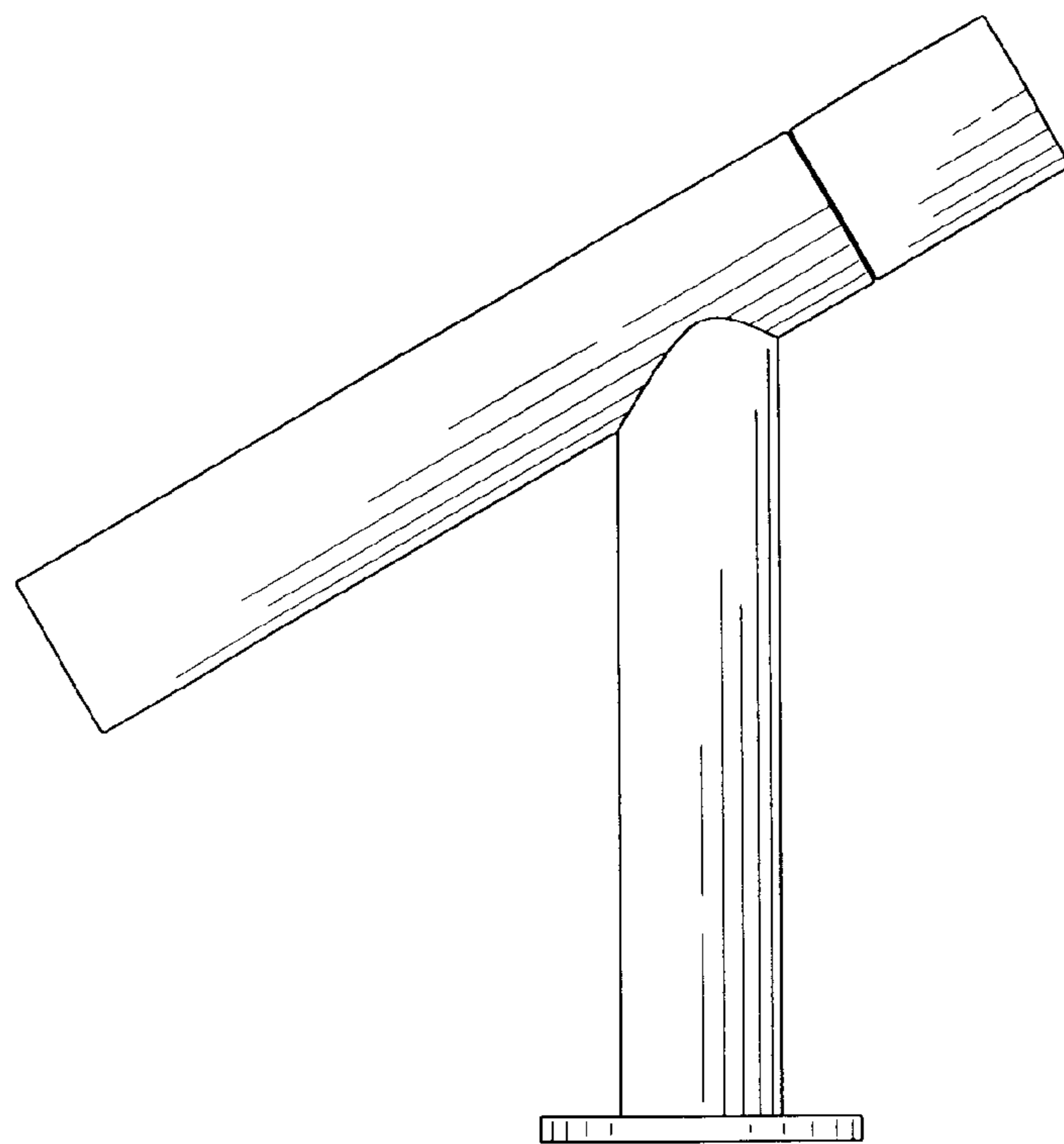


FIG. 5

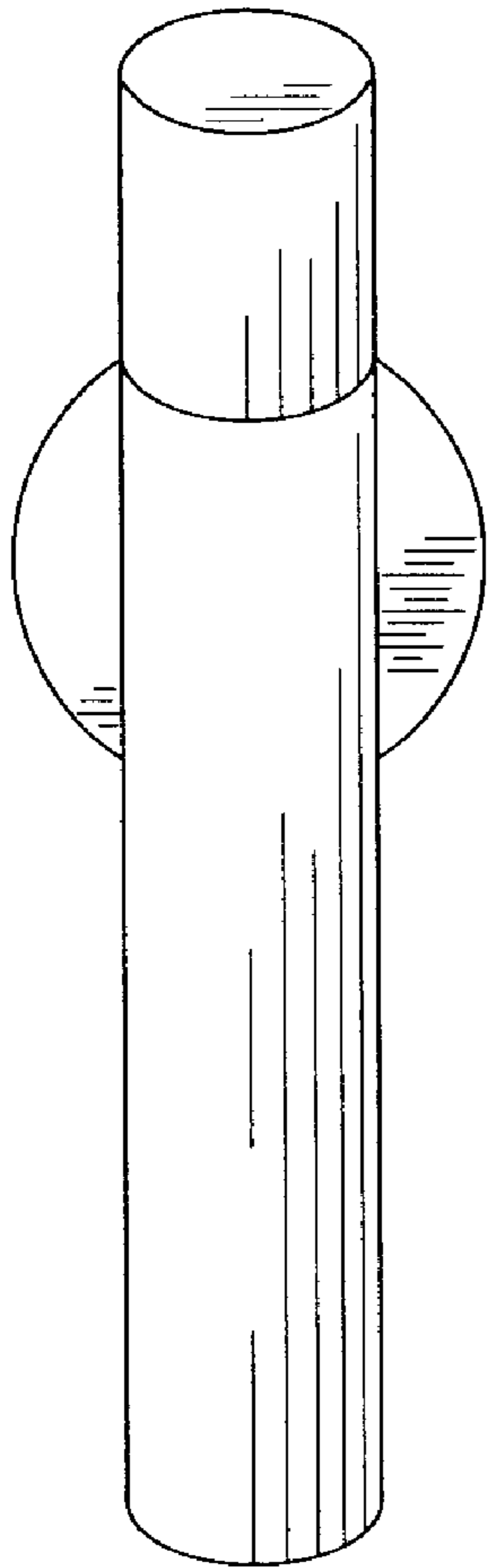


FIG. 6

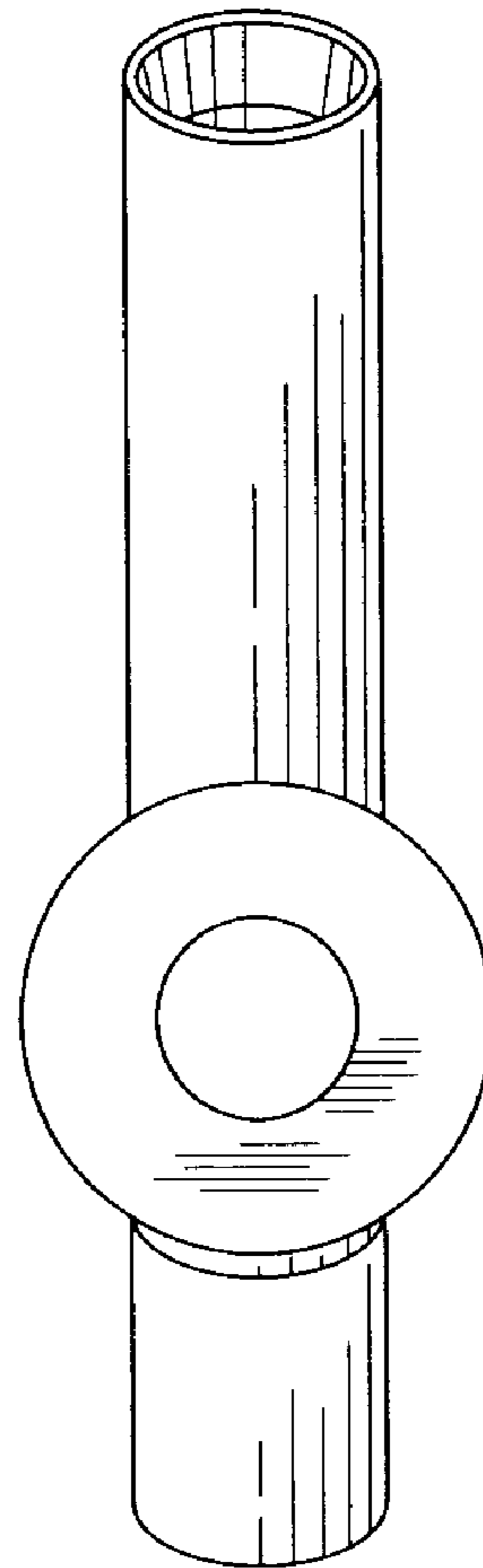


FIG. 7