



US00D530786S

(12) **United States Design Patent**
Gilbert

(10) **Patent No.:** **US D530,786 S**

(45) **Date of Patent:** **** Oct. 24, 2006**

(54) **FAUCET BASE**

(75) **Inventor:** **Christopher Jon Gilbert**, Moreland Hills, OH (US)

(73) **Assignee:** **Moen Incorporated**, North Olmsted, OH (US)

(**) **Term:** **14 Years**

(21) **Appl. No.:** **29/221,180**

(22) **Filed:** **Jan. 12, 2005**

(51) **LOC (8) Cl.** **23-01**

(52) **U.S. Cl.** **D23/238; D23/249**

(58) **Field of Classification Search** D23/238-257;
4/675-678; 137/801

See application file for complete search history.

(56) **References Cited**

U.S. PATENT DOCUMENTS

D33,860 S	*	1/1901	Glauber	D23/238
695,038 A		3/1902	Craig		
D76,713 S		10/1928	Smith		
D76,714 S		10/1928	Smith		
D77,377 S		1/1929	Thompson		
D178,997 S		10/1956	Graff		
D178,999 S		10/1956	Graff		
3,520,325 A		7/1970	Stuart		
D280,010 S		8/1985	Miller et al.		
D287,269 S		12/1986	Piesco		
D340,968 S		11/1993	McKeone et al.		
D373,815 S		9/1996	Chaney		

D376,413 S		12/1996	Kergoet		
5,884,662 A		3/1999	Ko		
D456,063 S	*	4/2002	McKeone	D23/249
D477,858 S		7/2003	Friedrich		
D517,658 S	*	3/2006	Chung	D23/249

* cited by examiner

Primary Examiner—Louis S. Zarfes

Assistant Examiner—Gregory Andoll

(74) *Attorney, Agent, or Firm*—Calfee, Halter & Griswold LLP

(57) **CLAIM**

The ornamental design for a faucet base, as shown and described.

DESCRIPTION

FIG. 1 is a perspective view of a faucet base of the new design;

FIG. 2 is a front elevational view of the faucet base of FIG. 1;

FIG. 3 is a rear elevational view of the faucet base of FIG. 1;

FIG. 4 is a left side elevational view of the faucet base of FIG. 1;

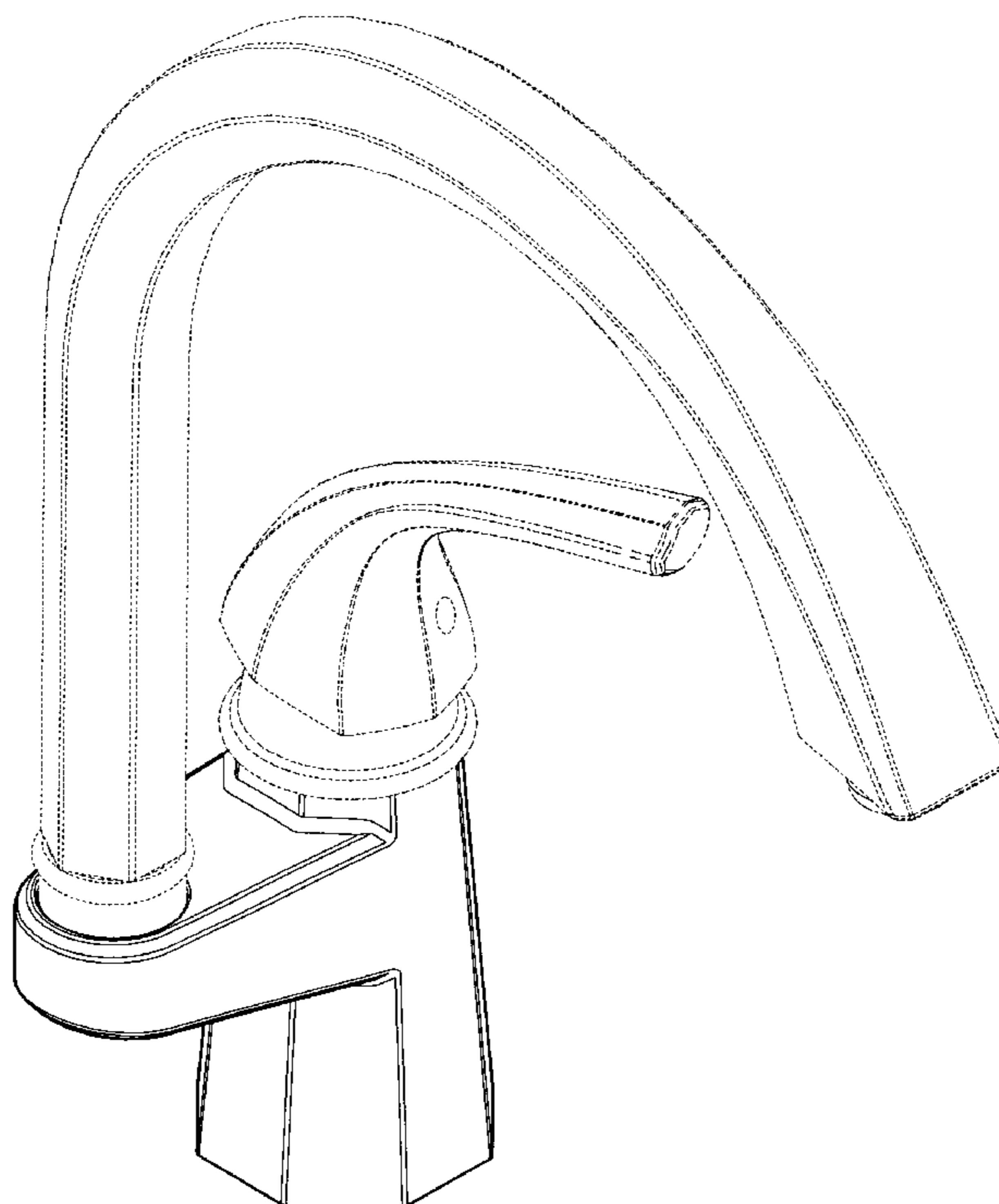
FIG. 5 is a right side elevational view of the faucet base of FIG. 1;

FIG. 6 is top plan view of the faucet base of FIG. 1; and,

FIG. 7 is bottom plan view of the faucet base of FIG. 1.

The portions of the Figures shown in broken lines are not part of the claimed design but are for illustration only.

1 Claim, 5 Drawing Sheets



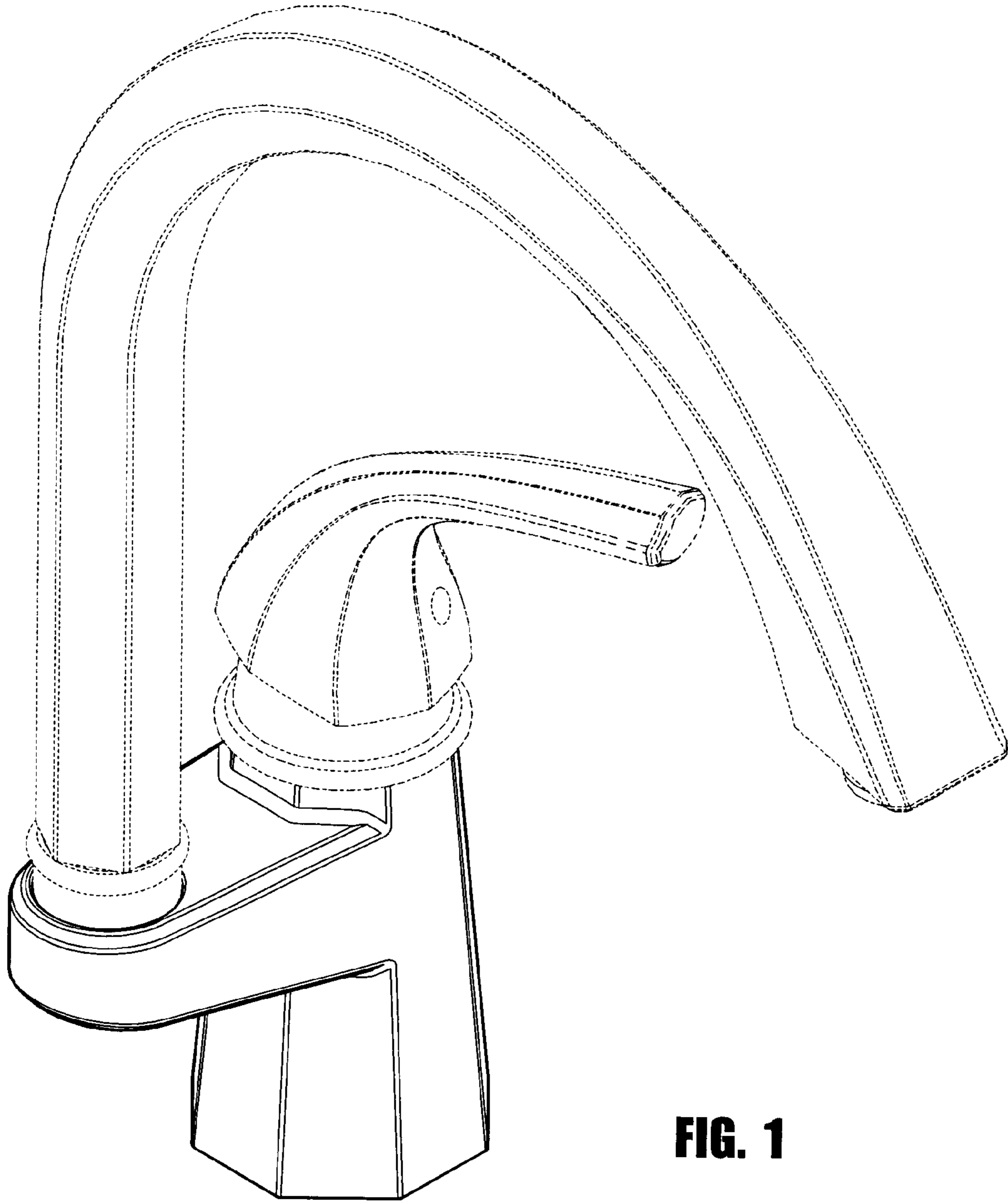


FIG. 1

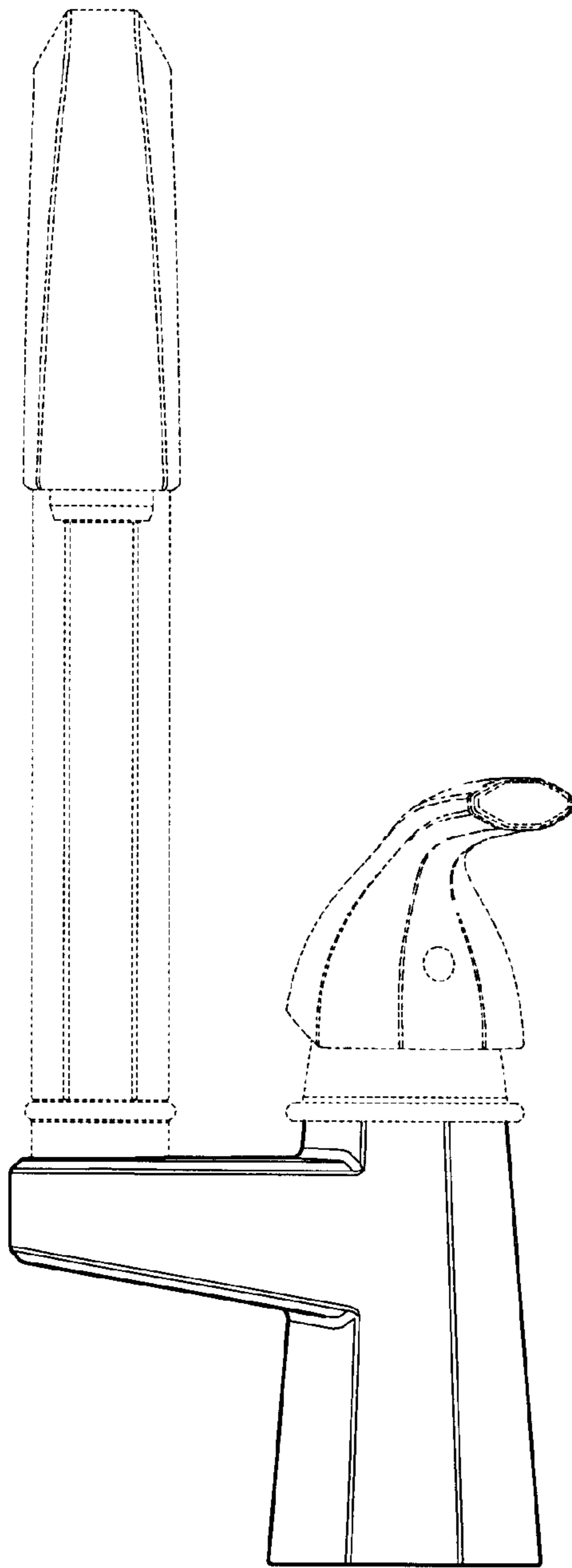


FIG. 2

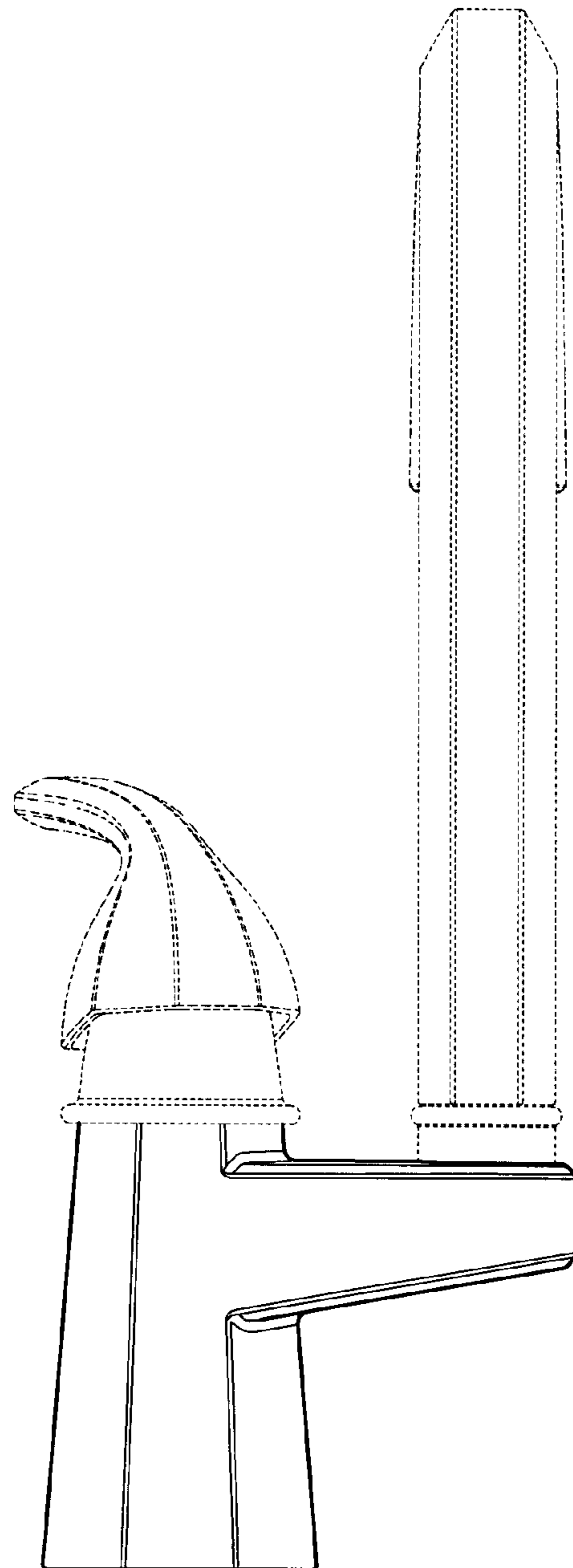


FIG. 3

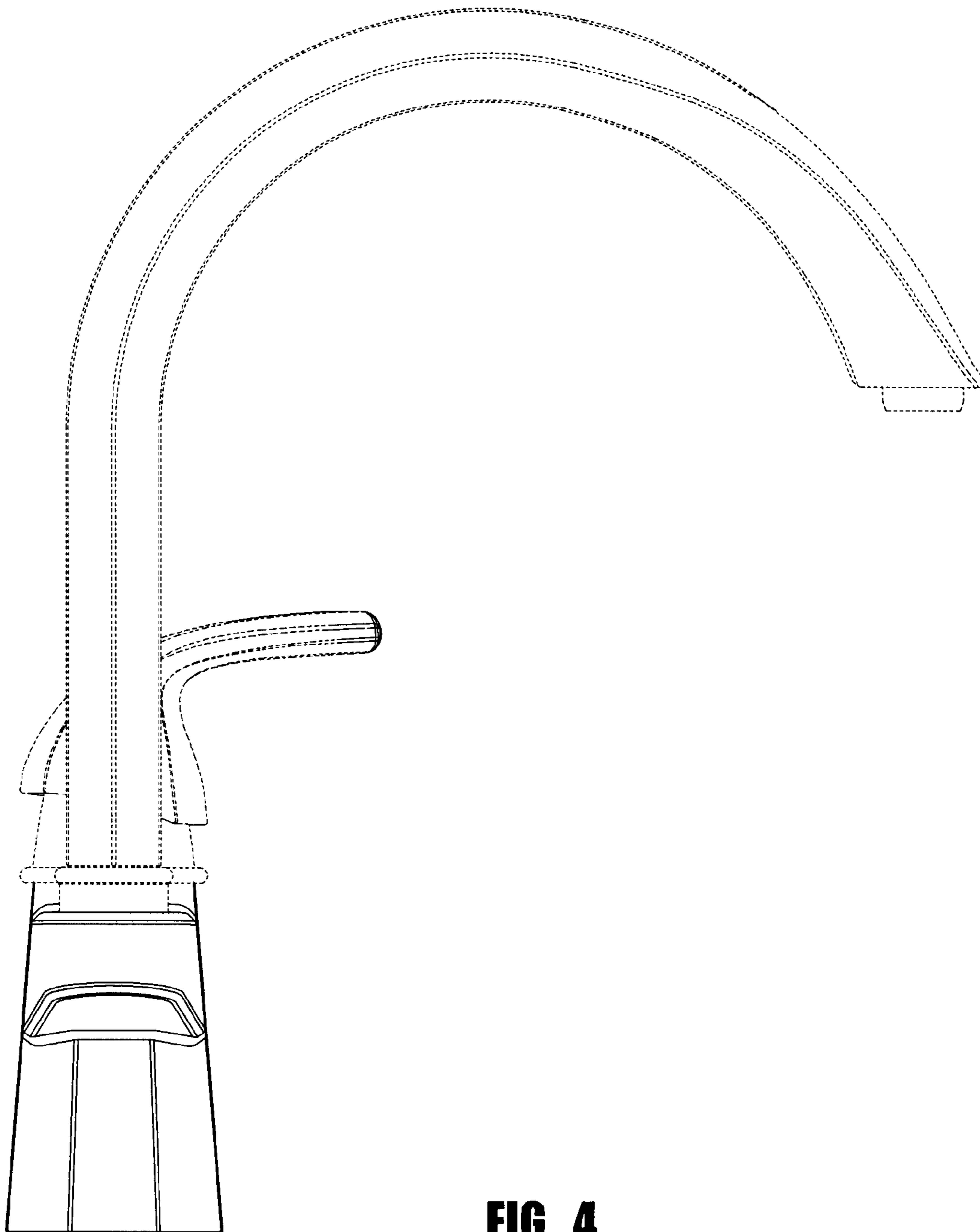


FIG. 4

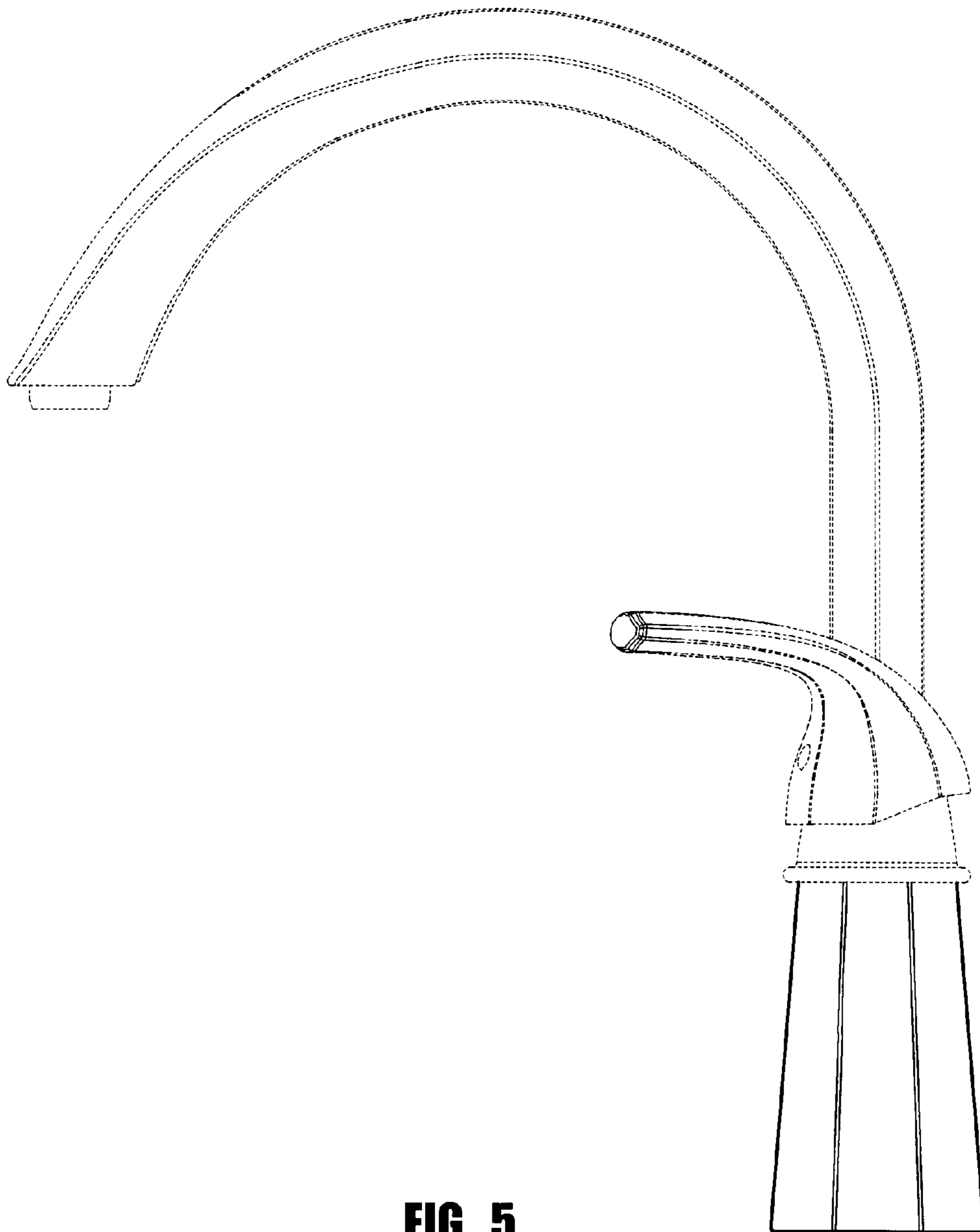


FIG. 5

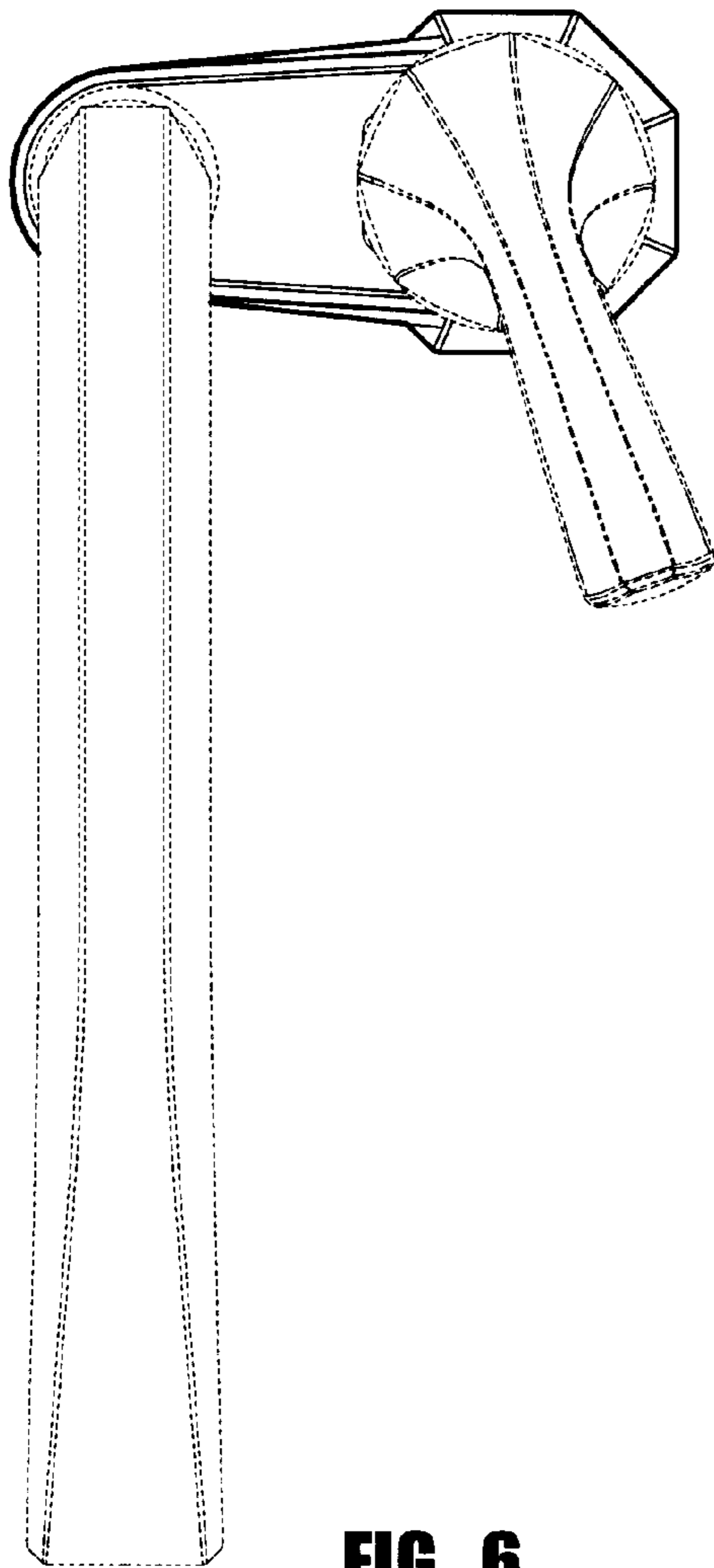


FIG. 6

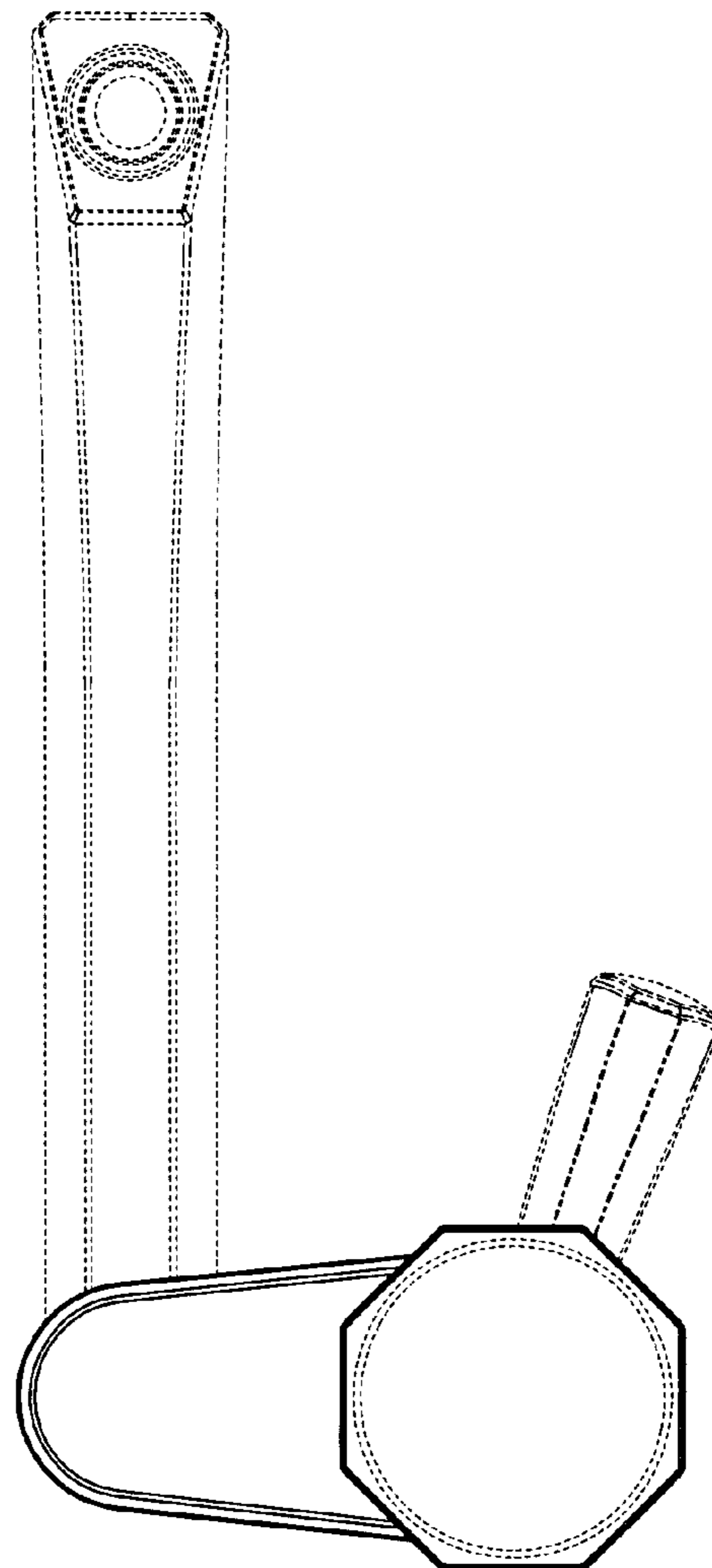


FIG. 7