



US00D530783S

(12) **United States Design Patent** (10) **Patent No.:** **US D530,783 S**
Bayer (45) **Date of Patent:** **** Oct. 24, 2006**

(54) **SPOUT**
(75) Inventor: **Michelle E. Bayer**, Austin, TX (US)
(73) Assignee: **Kohler Co.**, Kohler, WI (US)
(**) Term: **14 Years**
(21) Appl. No.: **29/207,416**
(22) Filed: **Jun. 14, 2004**
(51) **LOC (8) Cl.** **23-01**
(52) **U.S. Cl.** **D23/238; D23/255**
(58) **Field of Classification Search** **D23/238-257;**
4/675-678; 137/801
See application file for complete search history.

(56) **References Cited**
U.S. PATENT DOCUMENTS
D408,897 S 4/1999 Warshawsky
D409,726 S 5/1999 Formgren
D415,259 S 10/1999 Slothower
D416,986 S 11/1999 Formgren
D417,490 S 12/1999 Formgren
D465,834 S 11/2002 Singtoroj
D470,917 S 2/2003 Friedrich
D471,254 S 3/2003 Bonnell et al.
D473,929 S 4/2003 Warshawsky et al.
D477,858 S 7/2003 Friedrich
D479,584 S 9/2003 Shieh
D487,132 S 2/2004 Zhao
D488,943 S 4/2004 Bates
D492,389 S * 6/2004 Herbeau D23/238

OTHER PUBLICATIONS
2000 Kohler Catalog, showing a "Fairfax" deck-mount faucet.
Undated Kohler catalog, p. 72, showing Antique kitchen faucets.
* cited by examiner

Primary Examiner—Louis S. Zarfes
Assistant Examiner—Gregory Andoll
(74) *Attorney, Agent, or Firm*—Quarles & Brady LLP

(57) **CLAIM**

The ornamental design for a spout, as shown and described.

DESCRIPTION

In a preferred embodiment, the nature of this product is as a plumbing fixture in the form of a spout primary useful for washing various items, particularly items in kitchens.

FIG. 1 is a right, top, front perspective view of a spout embodying my new design;

FIG. 2 is a right side elevational view thereof, the left side being a mirror image of the right side shown;

FIG. 3 is a front elevational view thereof;

FIG. 4 is a rear elevational view thereof;

FIG. 5 is a top plan view thereof;

FIG. 6 is a bottom plan view thereof;

FIG. 7 is a right, top, front perspective view of a faucet according to another embodiment of my new design;

FIG. 8 is a right side elevational view thereof, the left side being a mirror image of the right side shown;

FIG. 9 is a front elevational view thereof;

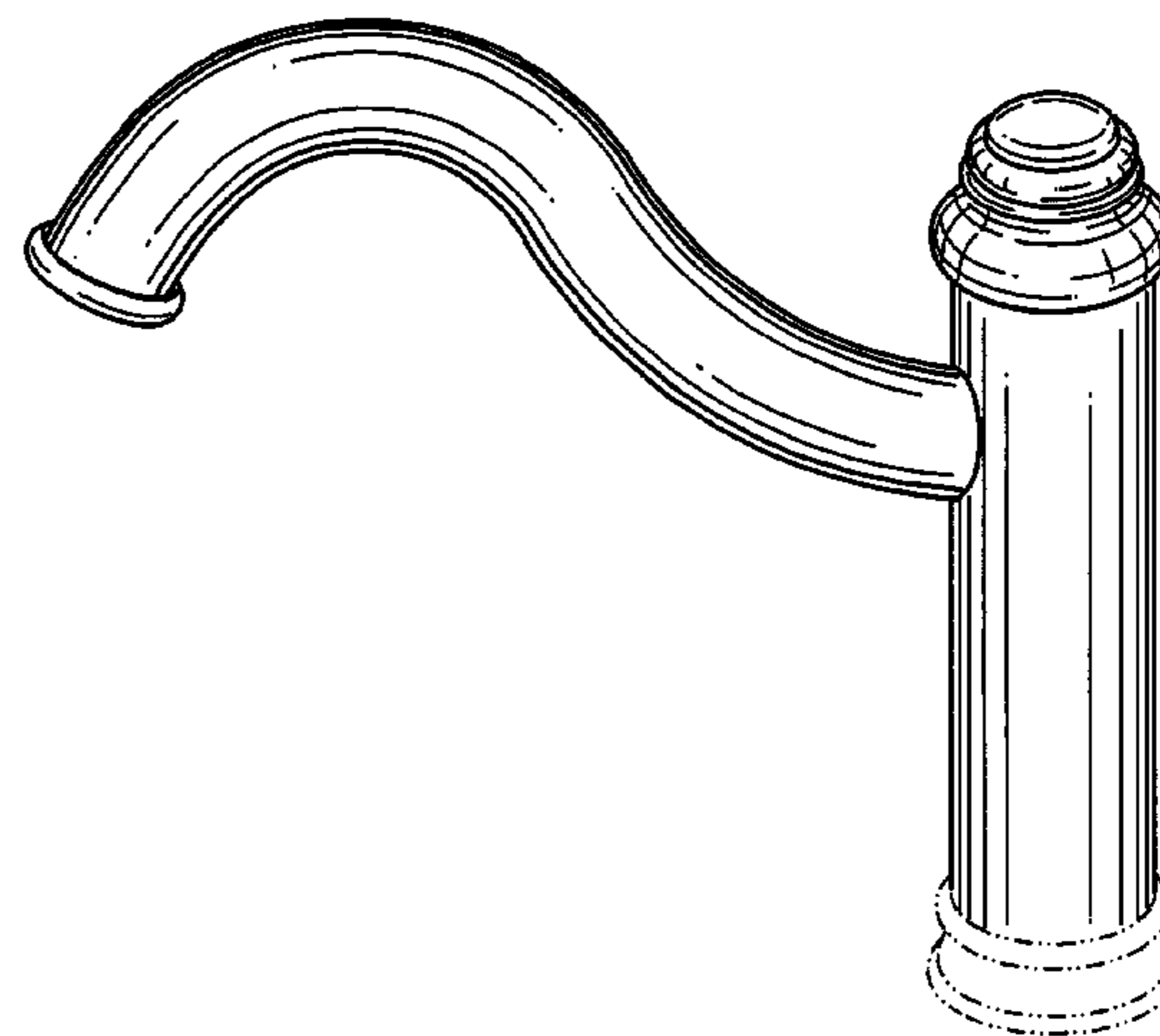
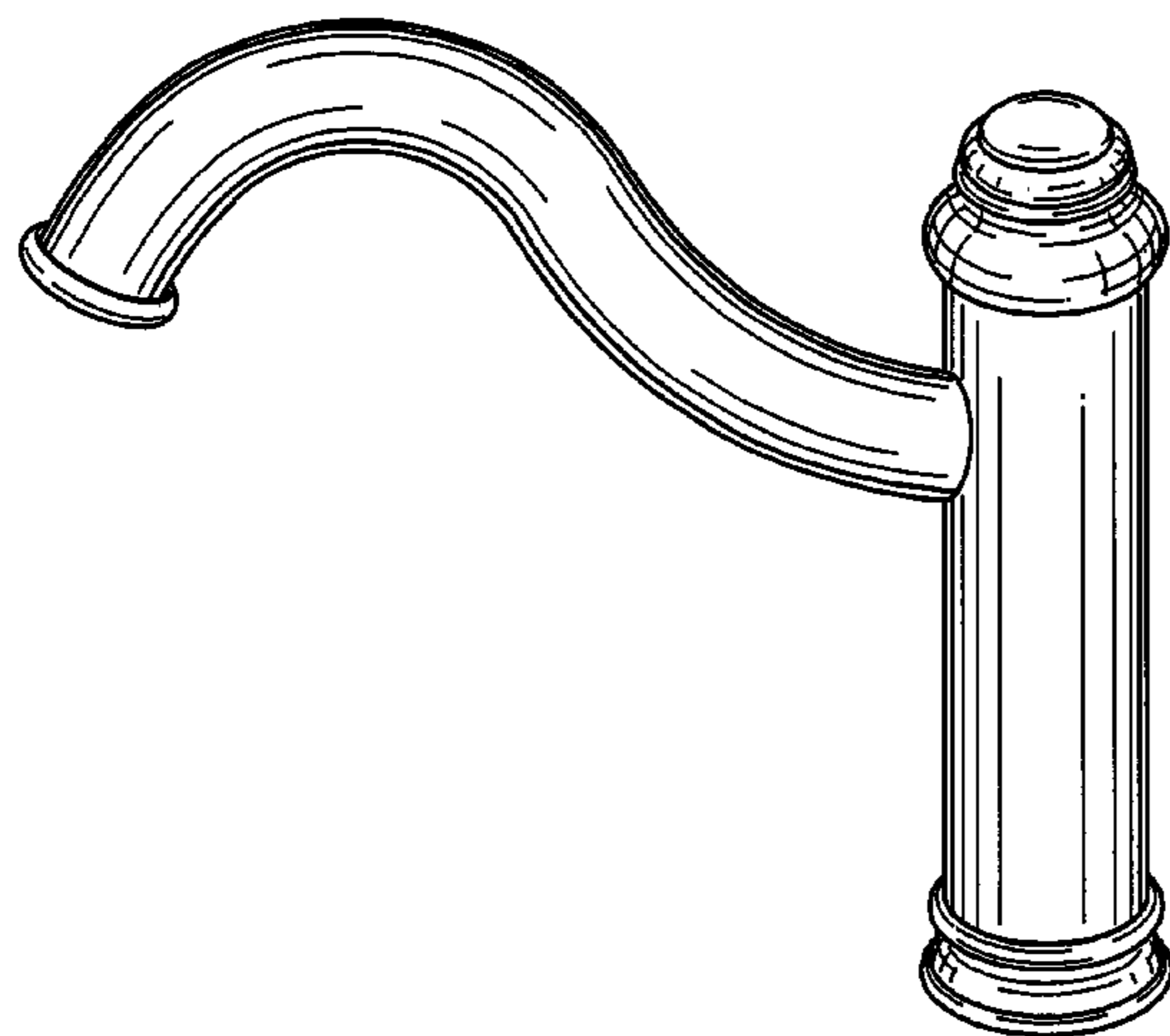
FIG. 10 is a rear elevational view thereof;

FIG. 11 is a top plan view thereof; and,

FIG. 12 is a bottom plan view thereof.

The broken line representations of internal spout structure in FIGS. 6 and 12, and a lower escutcheon in FIGS. 7-12, are for the purpose of illustration only, and form no part of the claimed design.

1 Claim, 6 Drawing Sheets



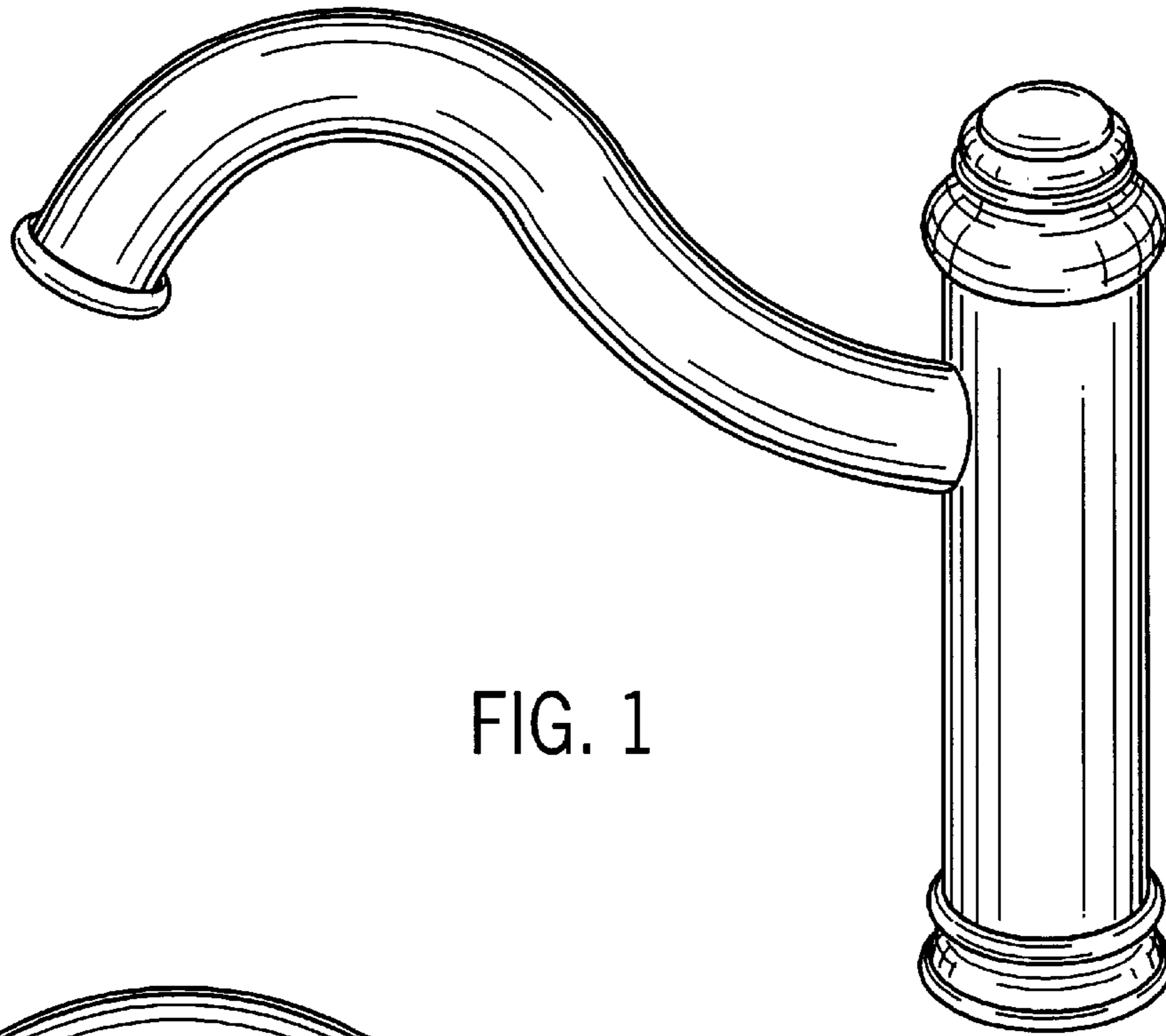


FIG. 1

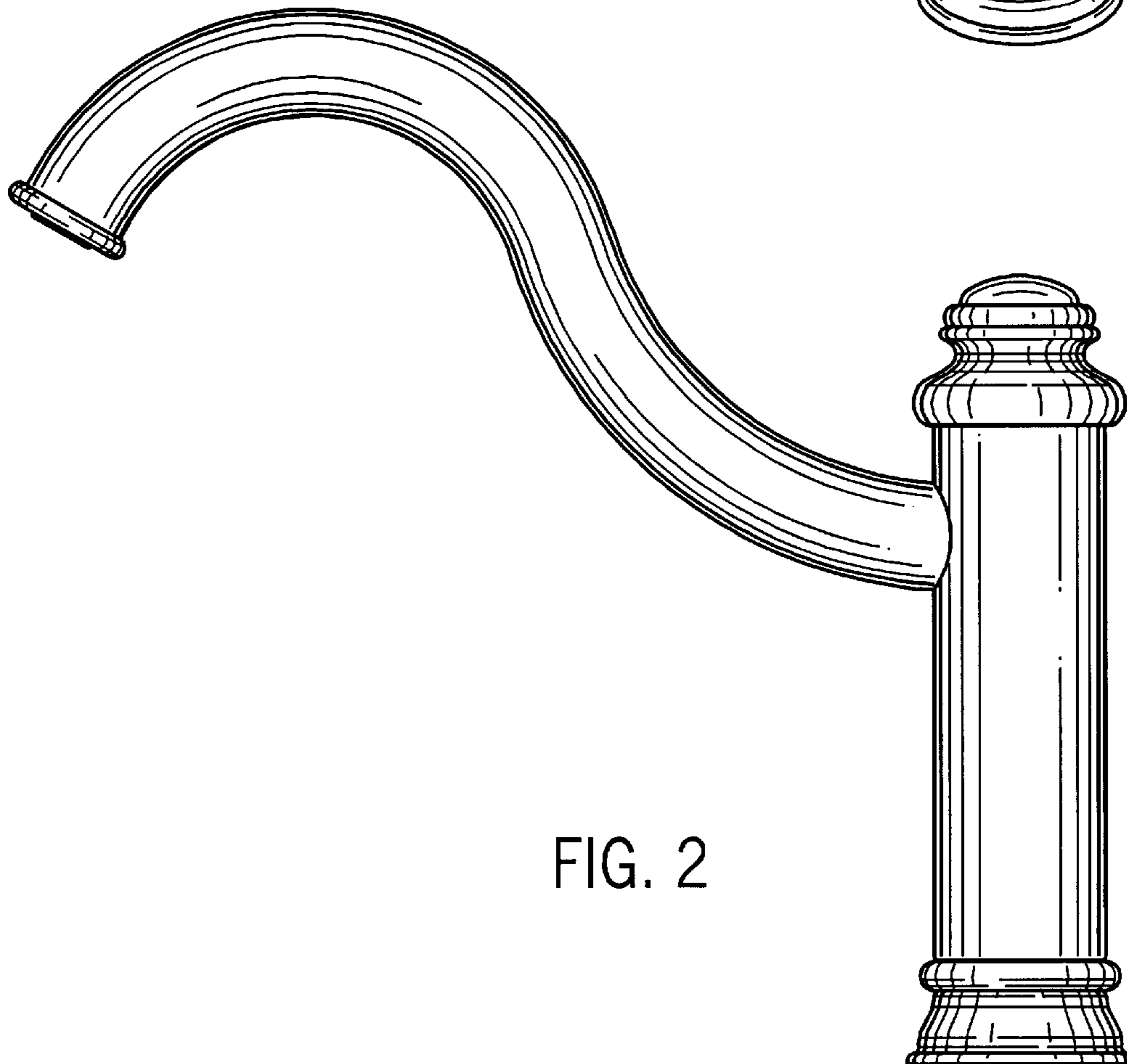


FIG. 2

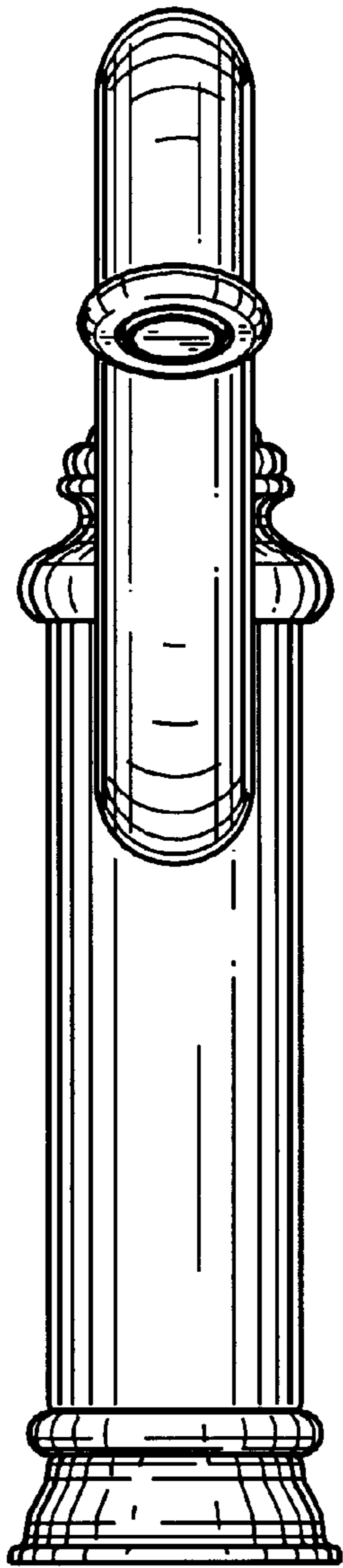


FIG. 3

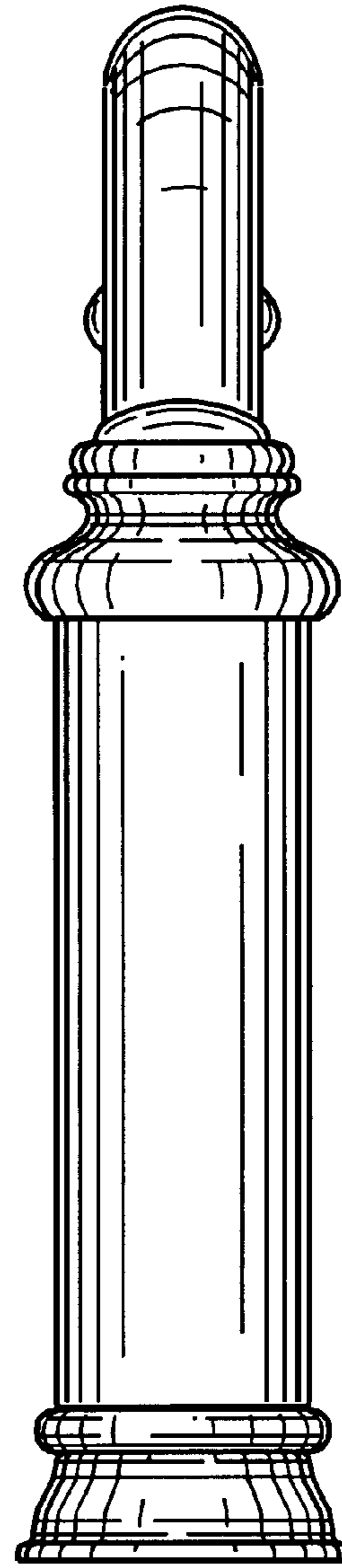


FIG. 4

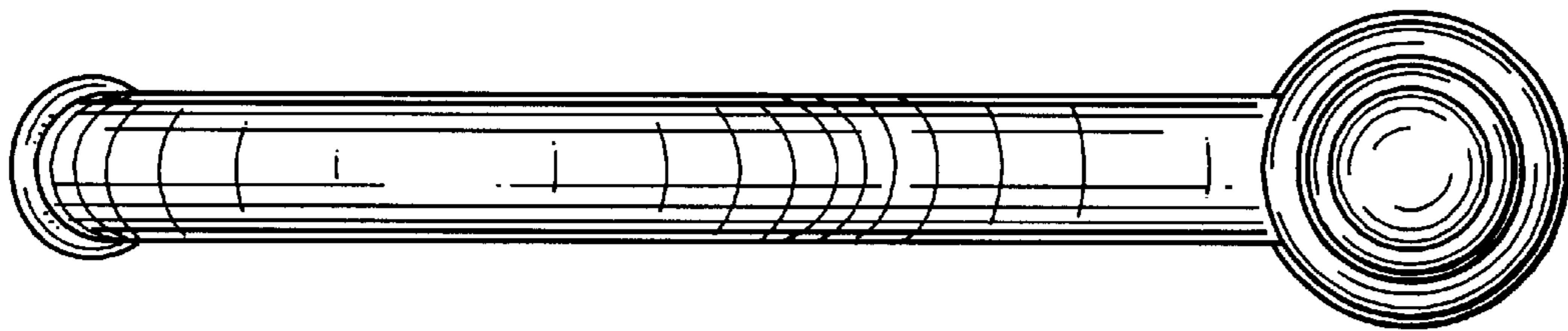


FIG. 5

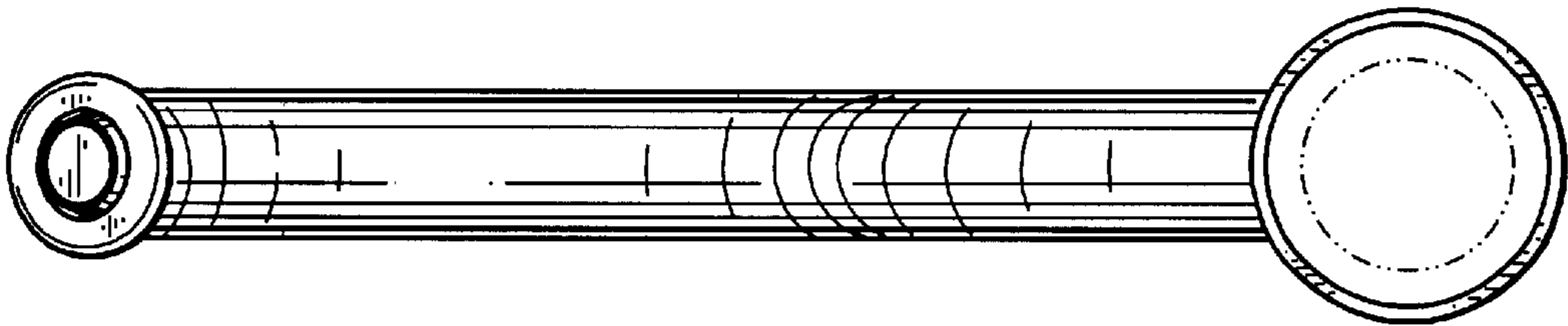


FIG. 6

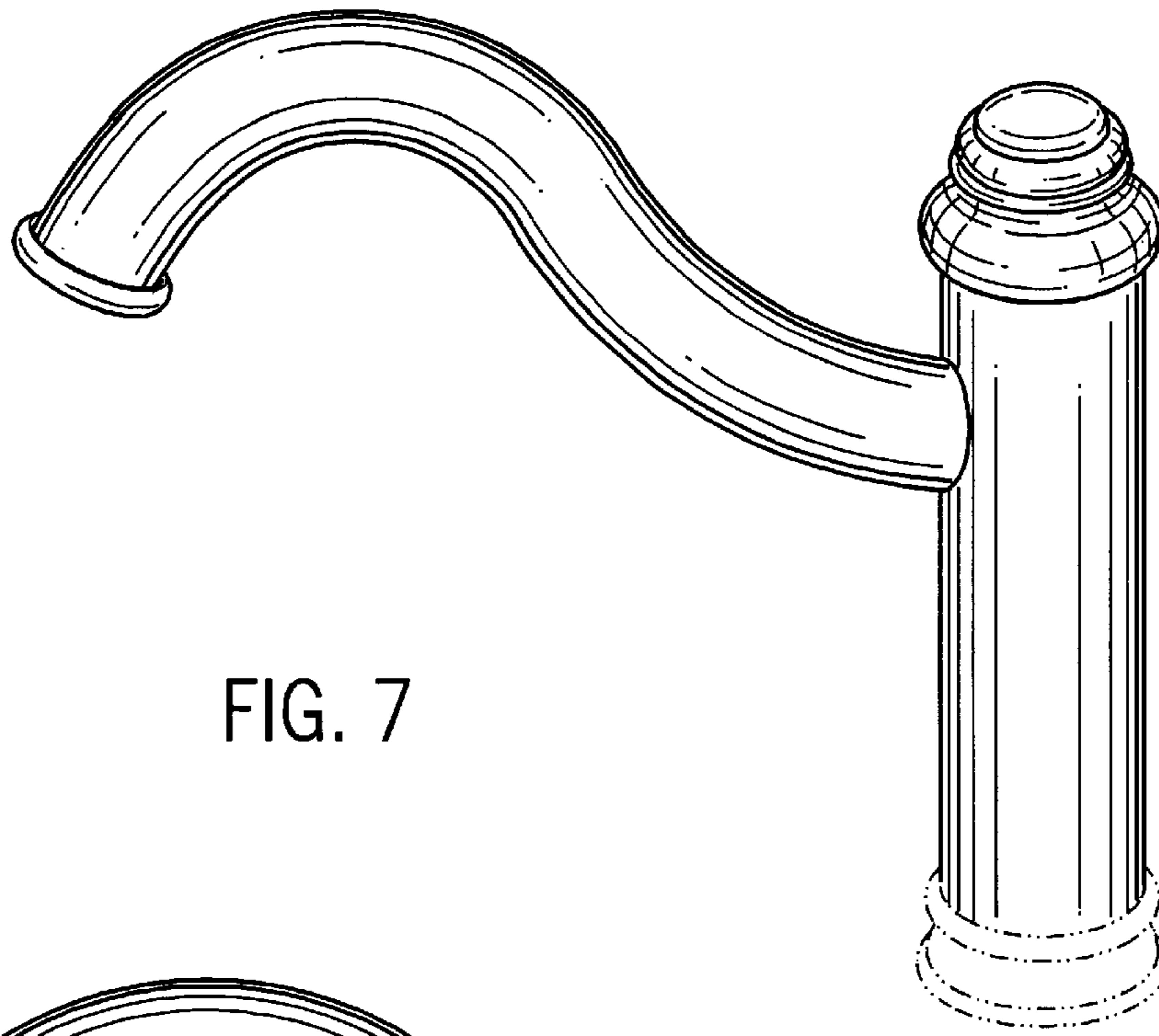


FIG. 7

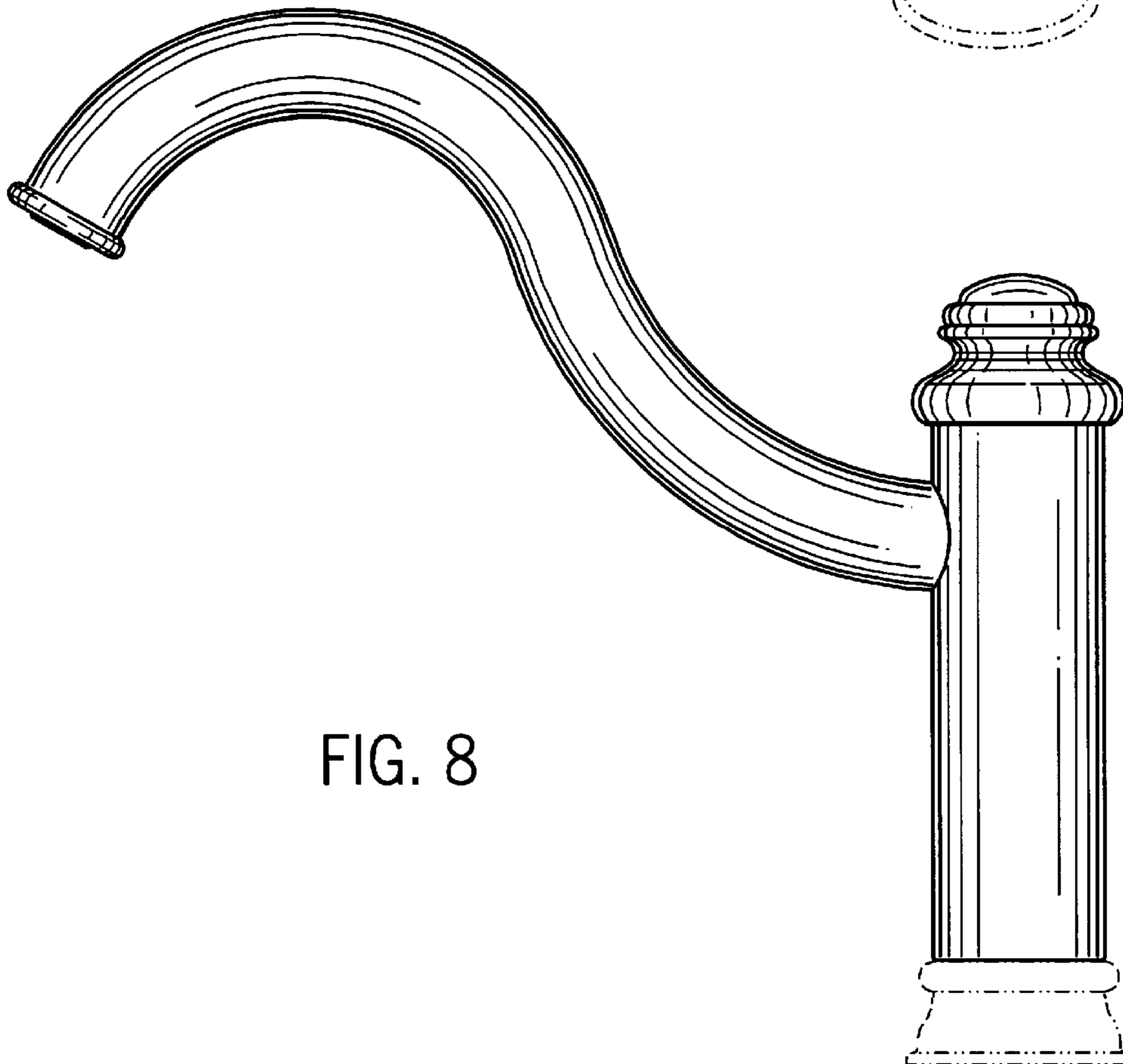


FIG. 8

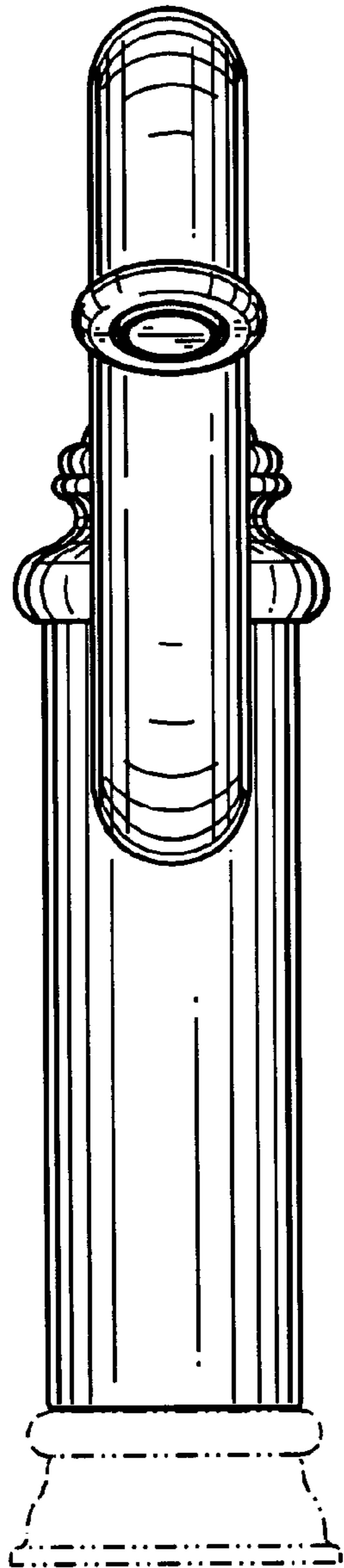


FIG. 9

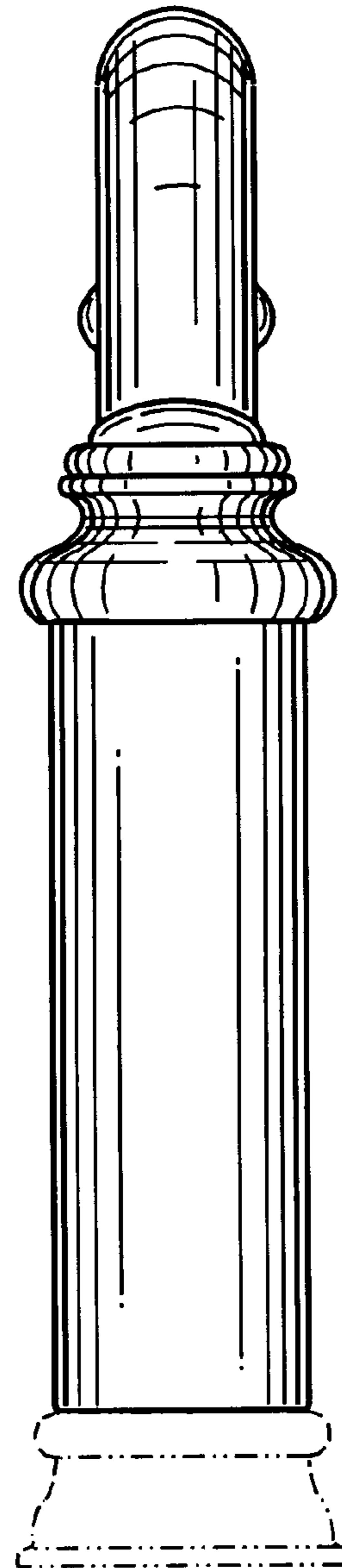


FIG. 10

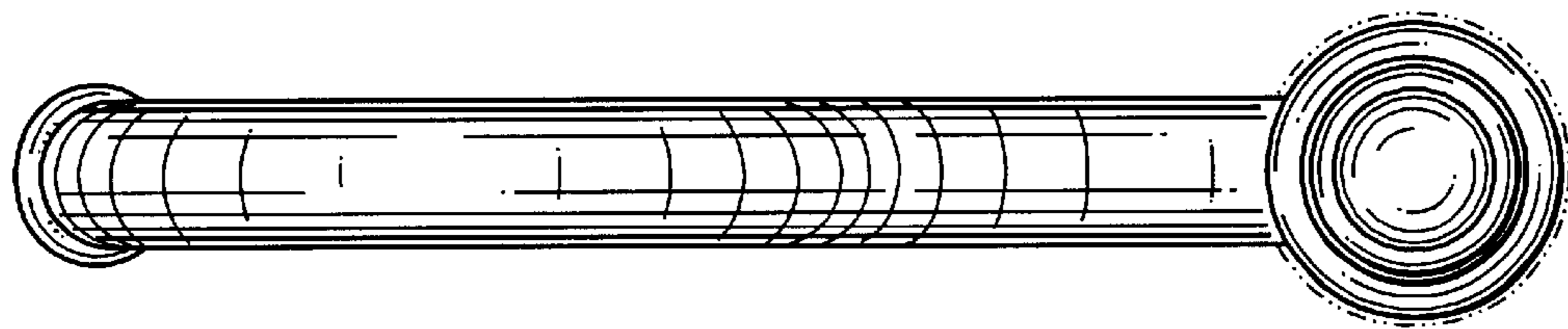


FIG. 11

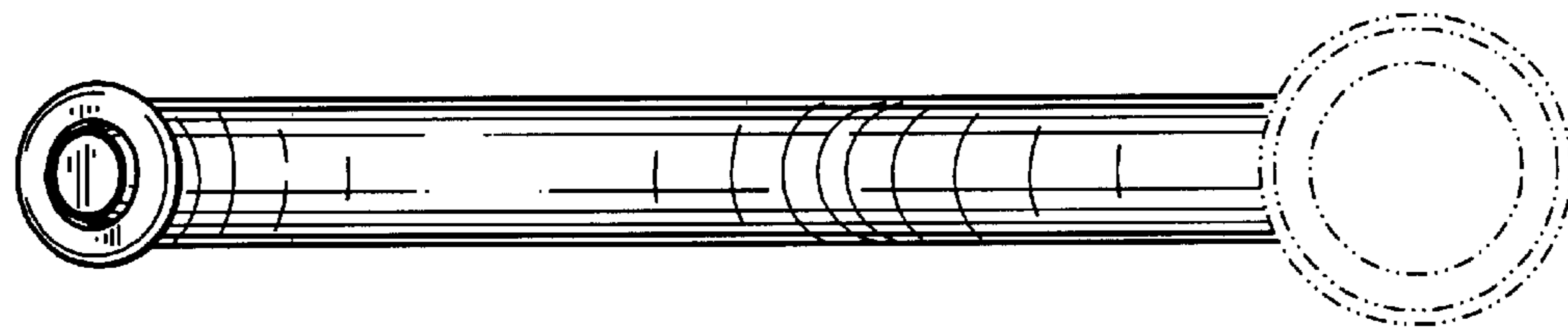


FIG. 12