

US00D530781S

(12) **United States Design Patent**
Tse

(10) **Patent No.:** **US D530,781 S**

(45) **Date of Patent:** **** Oct. 24, 2006**

(54) **SPRAY HEAD FOR SHOWERS**

(76) **Inventor:** **Hing Fai Gary Tse**, 1908-1911, 19/F,
Telford House, 16 Wang Hoi Road,
Kowloon Bay, Kowloon, Hong Kong
(CN)

(**) **Term:** **14 Years**

(21) **Appl. No.:** **29/229,459**

(22) **Filed:** **May 9, 2005**

(51) **LOC (8) Cl.** **23-01**

(52) **U.S. Cl.** **D23/223**

(58) **Field of Classification Search** D23/213,
D23/223, 226; 239/394, 462
See application file for complete search history.

(56) **References Cited**

U.S. PATENT DOCUMENTS

D328,634 S * 8/1992 Ward D23/223

D349,947 S * 8/1994 Hing-Wah D23/223
D432,624 S * 10/2000 Chan D23/223

* cited by examiner

Primary Examiner—Robin Webster

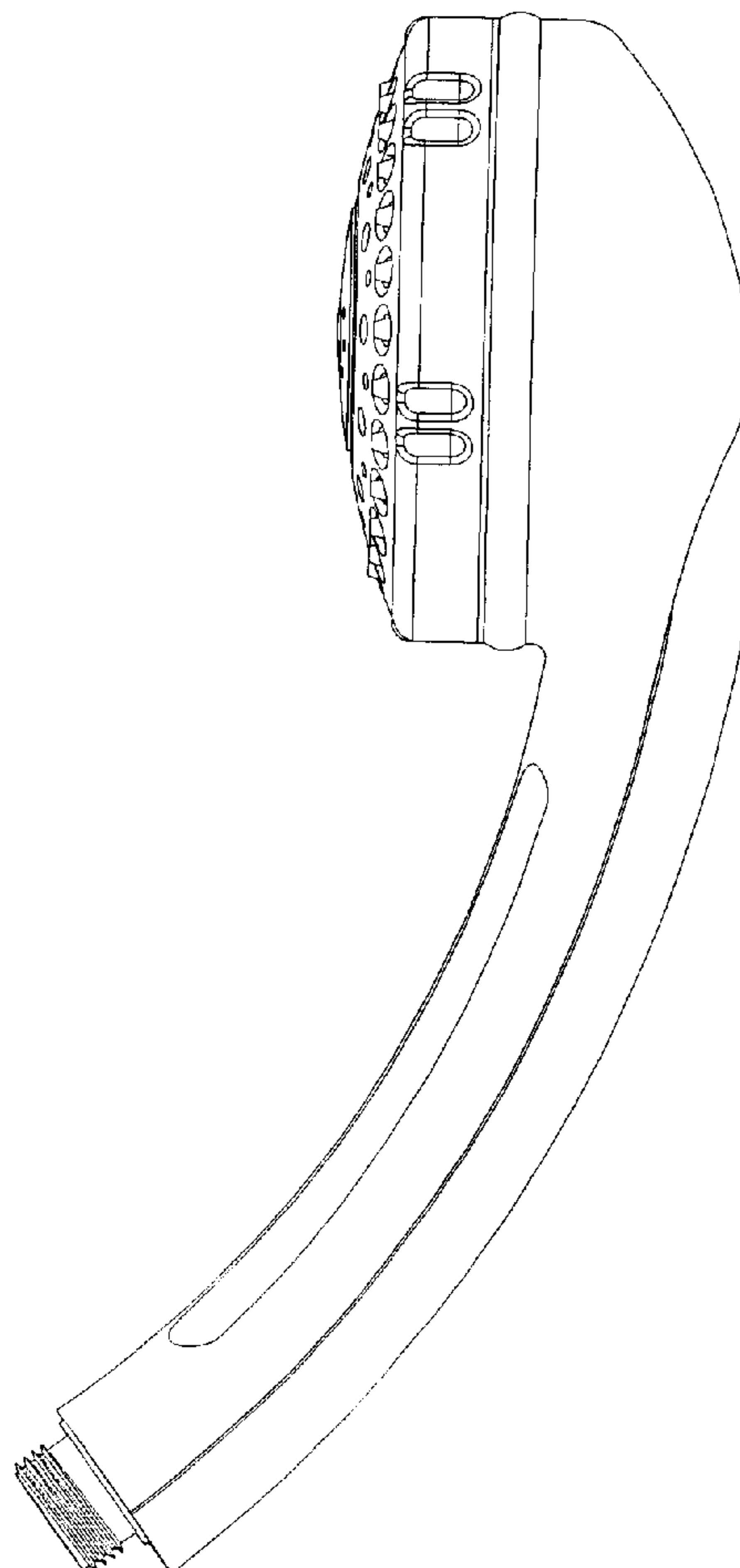
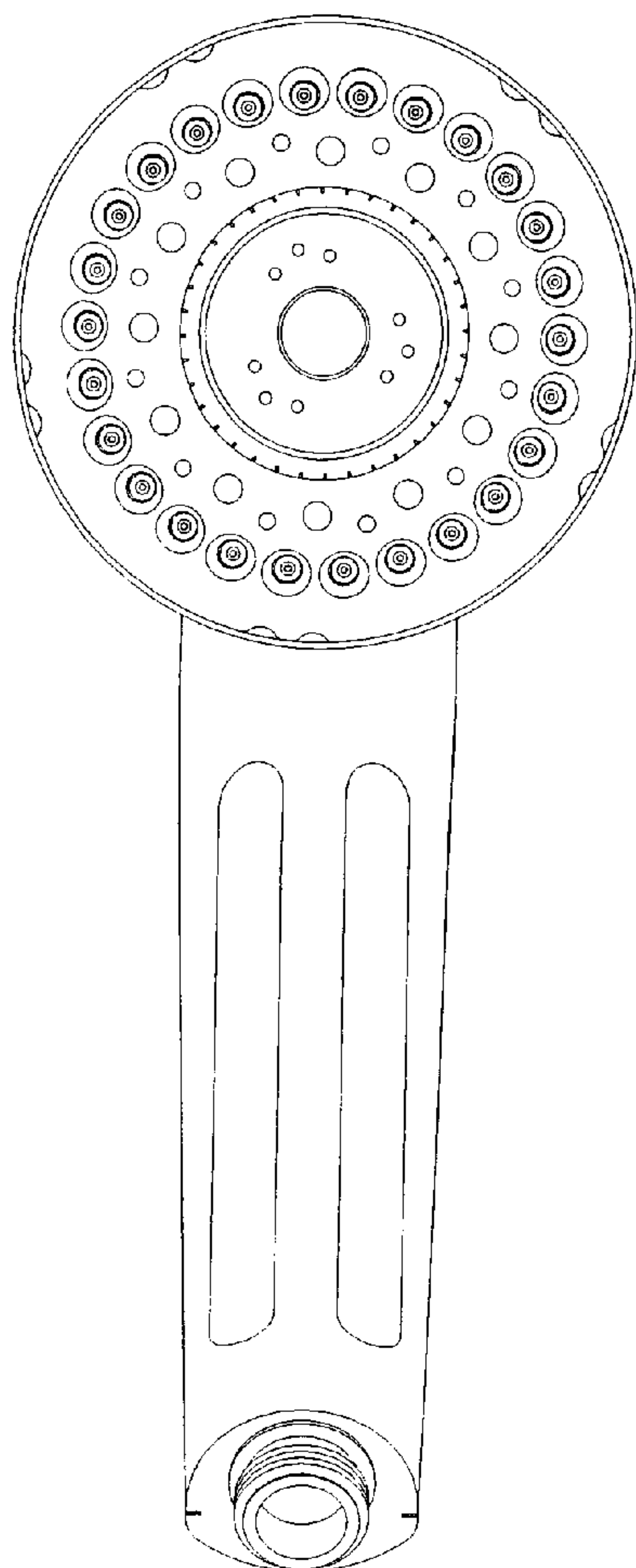
(57) **CLAIM**

The ornamental design for a spray head for showers, as shown.

DESCRIPTION

The claimed spray head for showers is used for releasing drops of water through the small holes.
FIG. 1 is a front elevational view of a spray head for showers showing my new design;
FIG. 2 is a rear elevational view thereof;
FIG. 3 is a left side view thereof;
FIG. 4 is a right side view thereof;
FIG. 5 is a top plan view thereof; and,
FIG. 6 is a bottom plan view thereof.

1 Claim, 3 Drawing Sheets



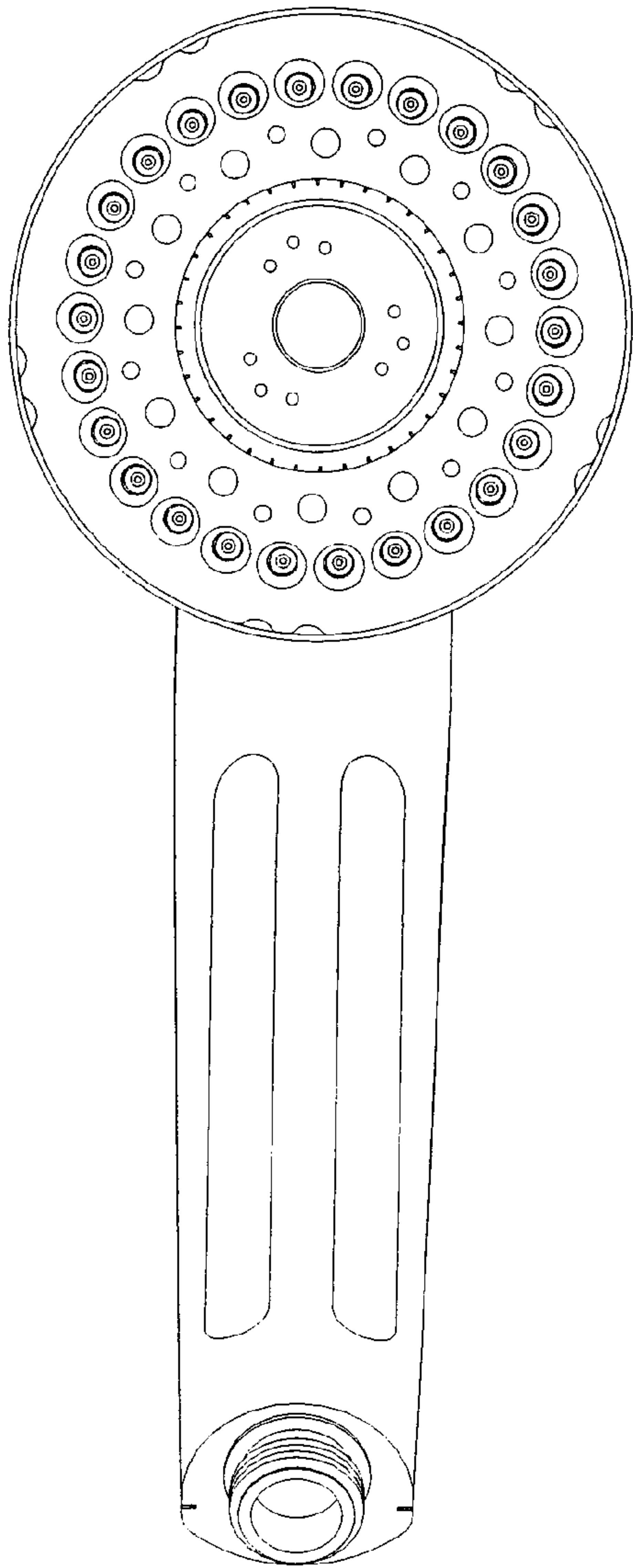


FIG. 1

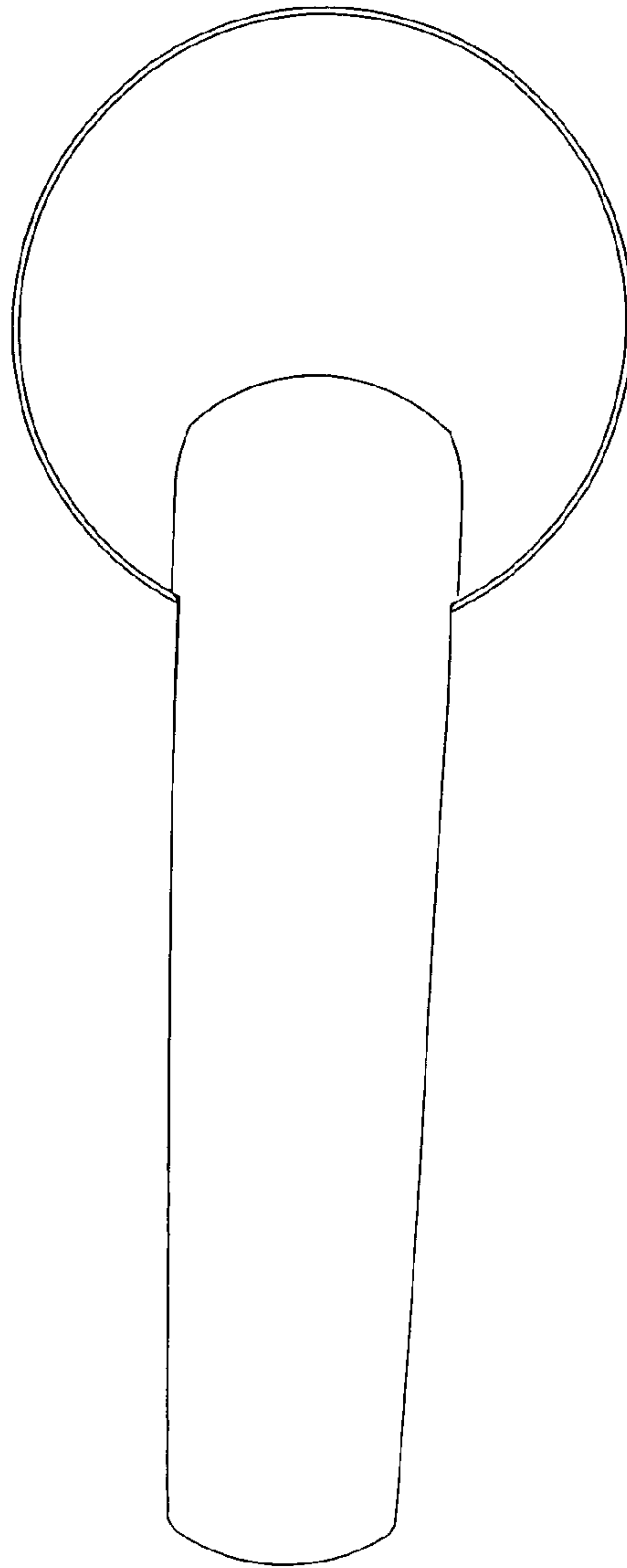


FIG. 2

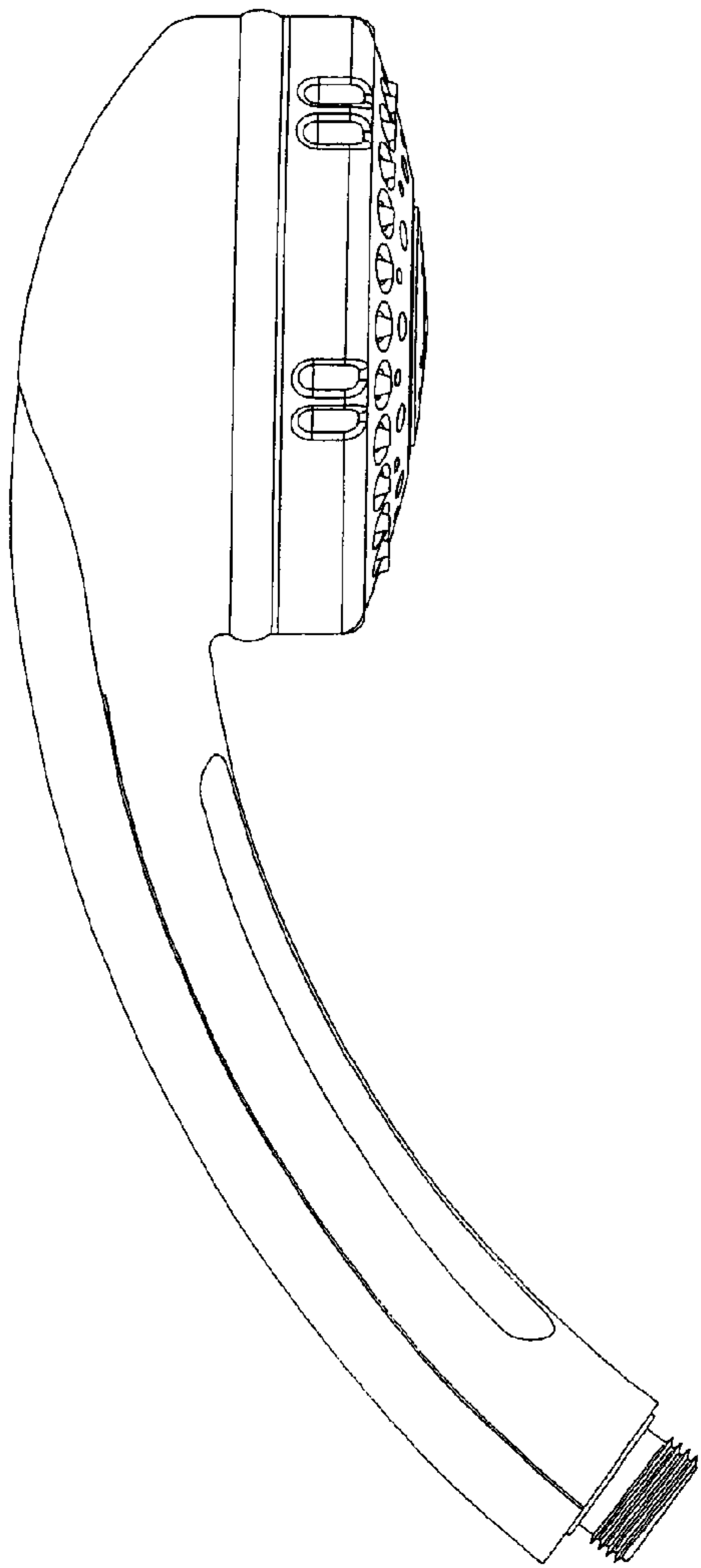


FIG. 3

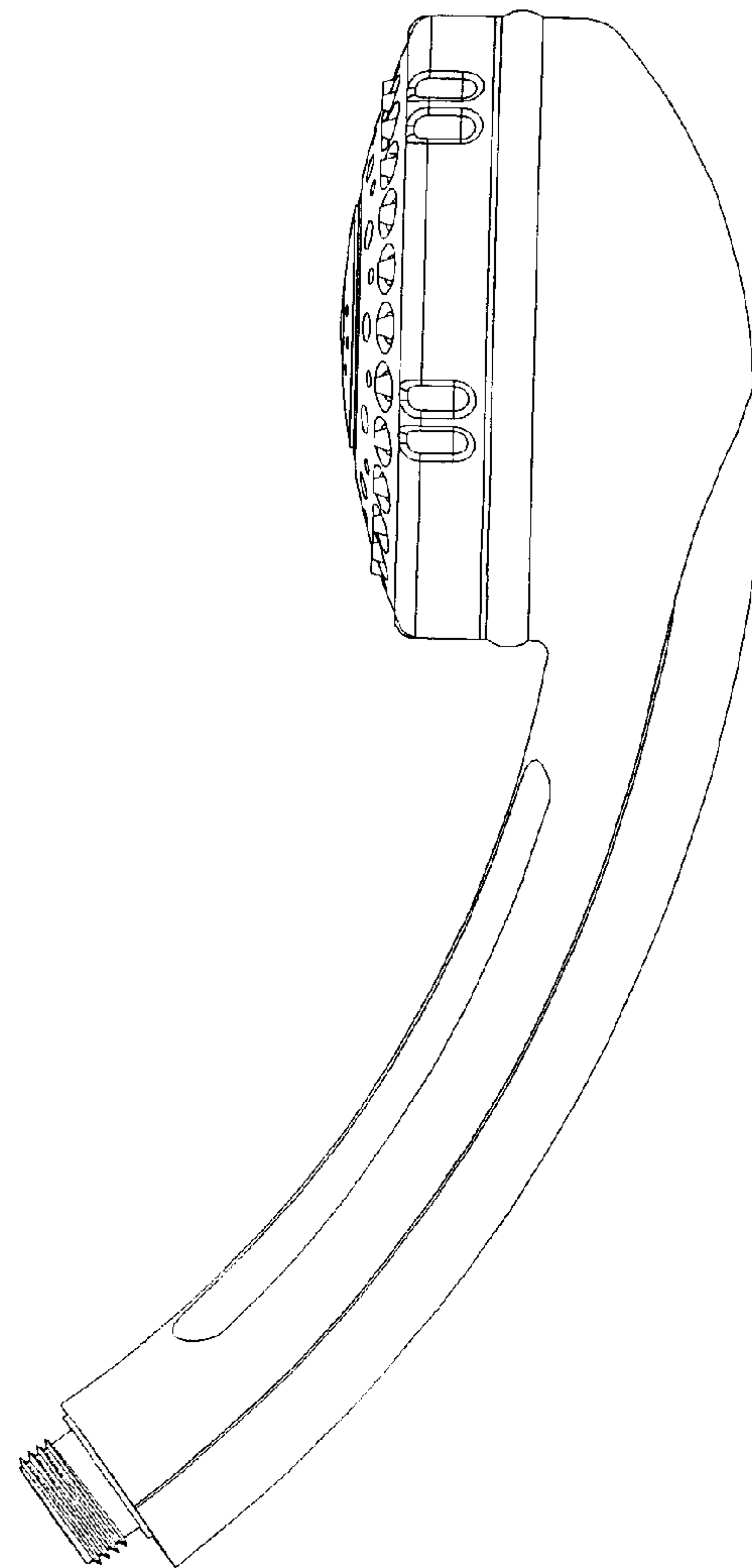


FIG. 4

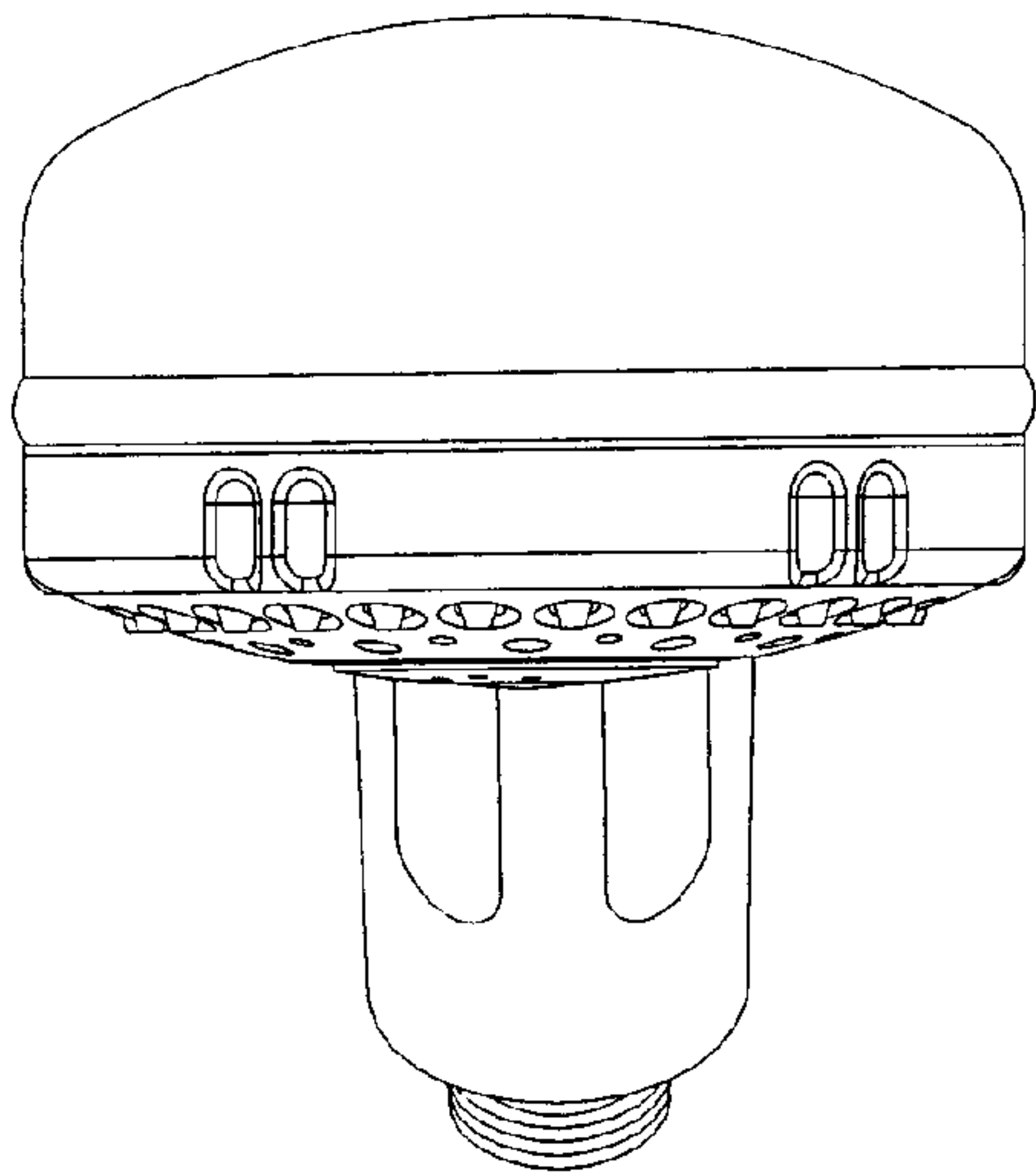


FIG. 5

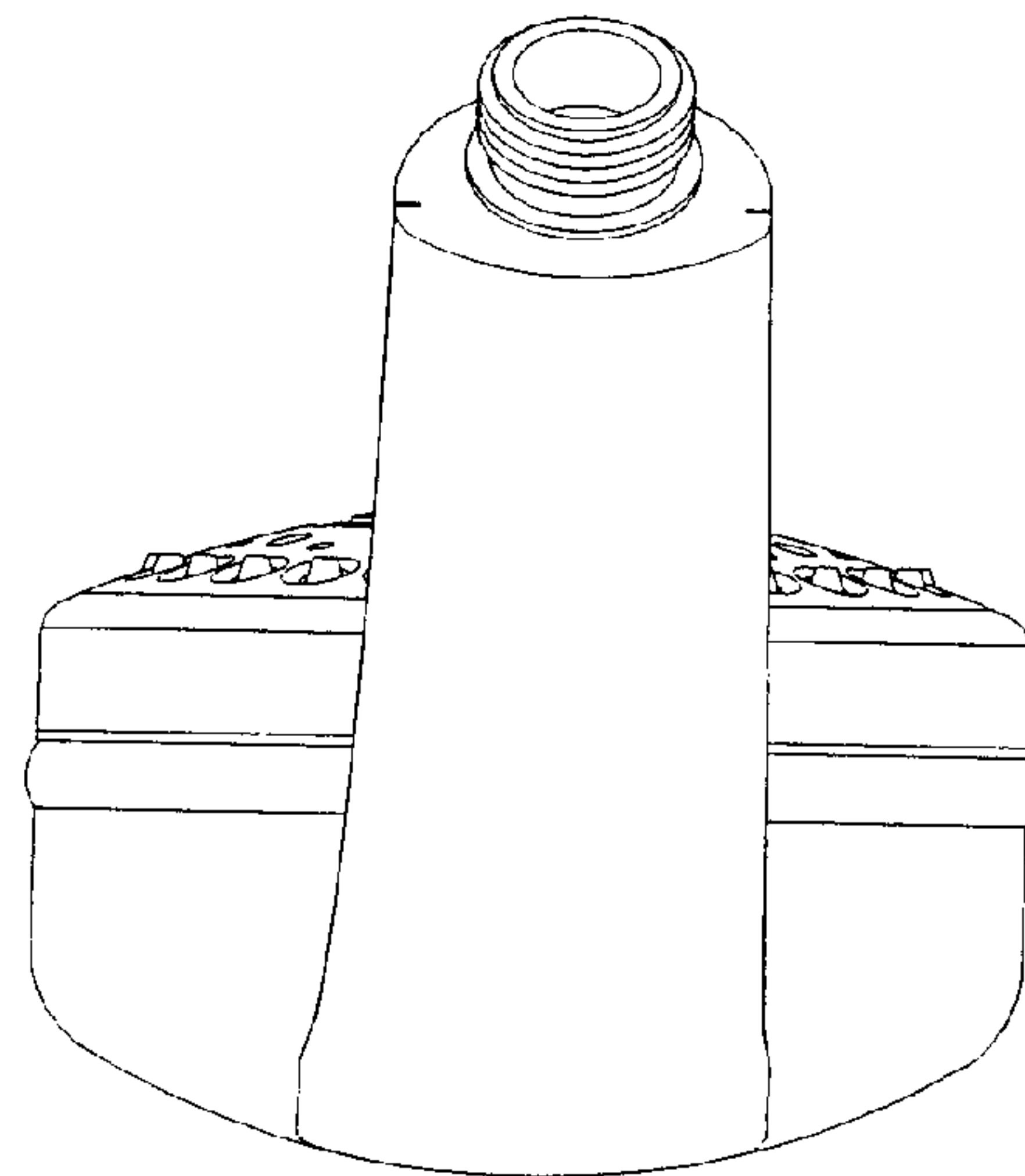


FIG. 6