



US00D530780S

(12) **United States Design Patent**  
**Shao et al.**

(10) **Patent No.:** **US D530,780 S**

(45) **Date of Patent:** **\*\* Oct. 24, 2006**

(54) **SHOWERHEAD**

D493,208 S \* 7/2004 Lin ..... D23/213  
D517,164 S \* 3/2006 Lee ..... D23/213

(75) Inventors: **Xue Shao**, Shen Zhen (CN); **Ming Huang**, Shen Zhen (CN)

\* cited by examiner

(73) Assignee: **Globe Union Industrial Corp.**, Taichung (TW)

*Primary Examiner*—Robin Webster  
(74) *Attorney, Agent, or Firm*—Leong C. Lei

(\*\*) Term: **14 Years**

(57) **CLAIM**

The ornamental design for a showerhead, as shown and described.

(21) Appl. No.: **29/228,664**

(22) Filed: **Apr. 27, 2005**

**DESCRIPTION**

(51) **LOC (8) Cl.** ..... **23-01**

(52) **U.S. Cl.** ..... **D23/213**

(58) **Field of Classification Search** ..... D23/213,  
D23/223, 229–30; 239/282–3, 462  
See application file for complete search history.

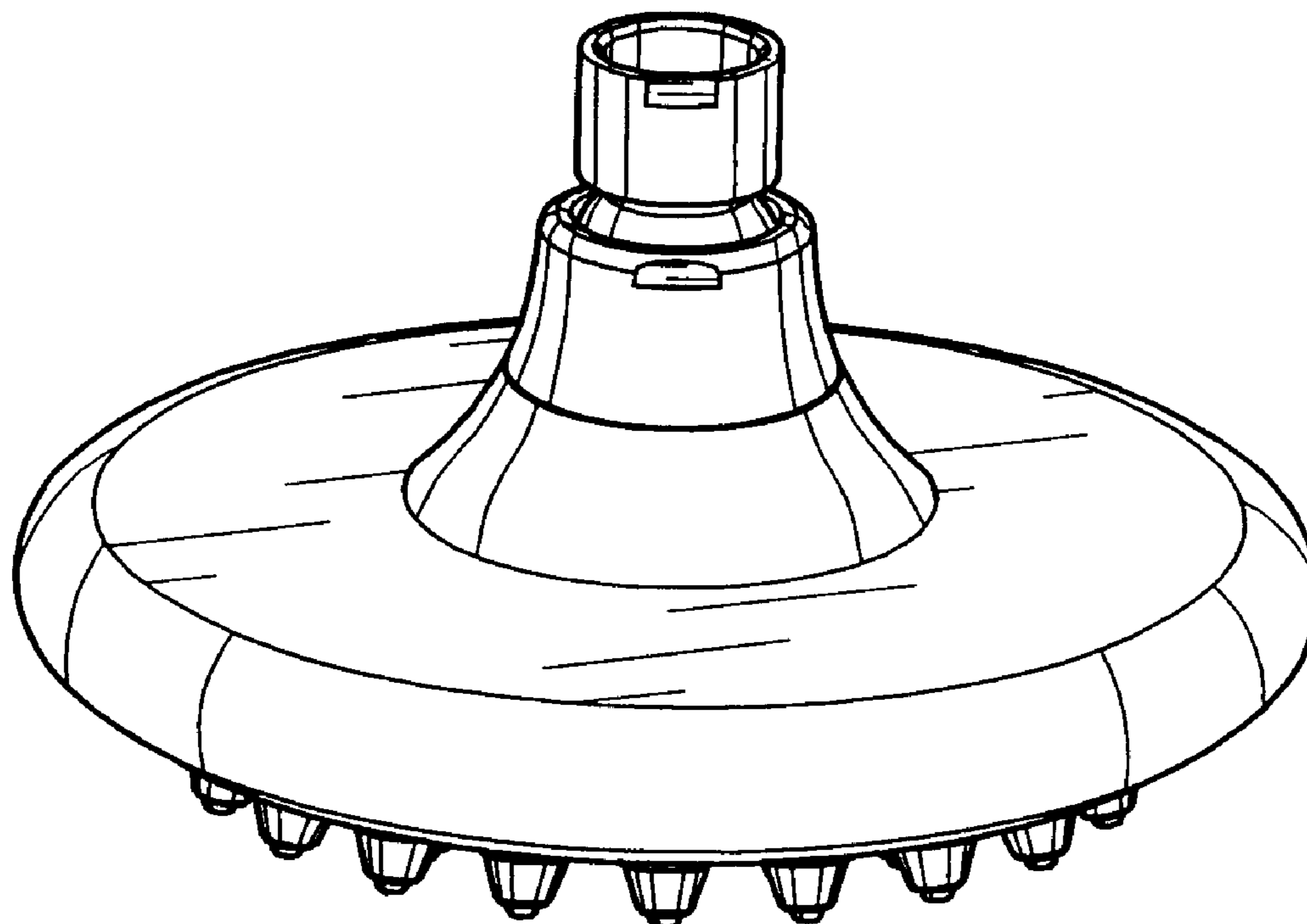
FIG. 1 is a top and front perspective view of a showerhead showing our new design;  
FIG. 2 is a bottom, front perspective view thereof;  
FIG. 3 is a front elevational view thereof;  
FIG. 4 is a side elevational view thereof;  
FIG. 5 is a top plan view thereof; and,  
FIG. 6 is a bottom plan view thereof.

(56) **References Cited**

**U.S. PATENT DOCUMENTS**

D461,525 S \* 8/2002 Lai ..... D23/229

**1 Claim, 3 Drawing Sheets**



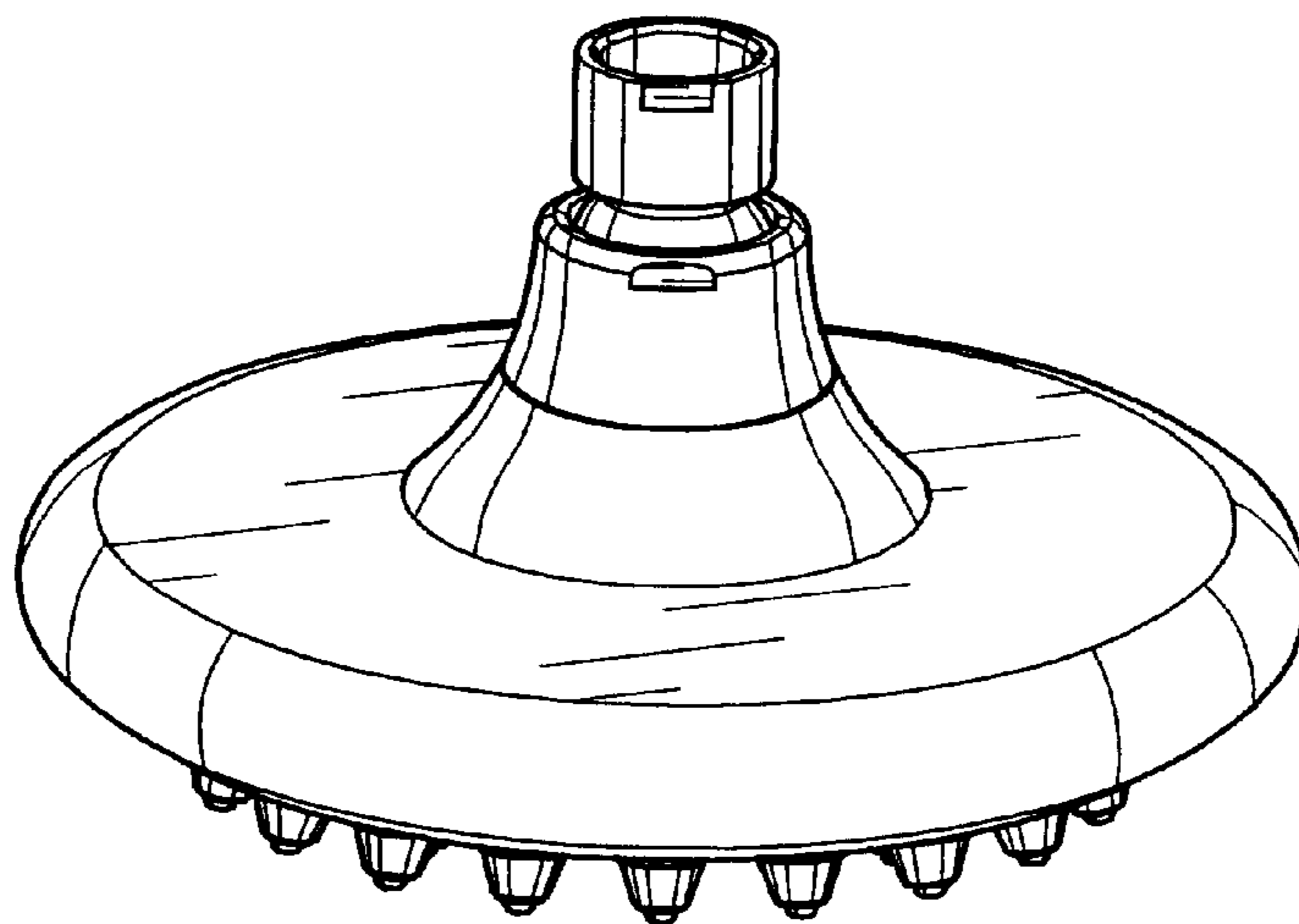


FIG. 1

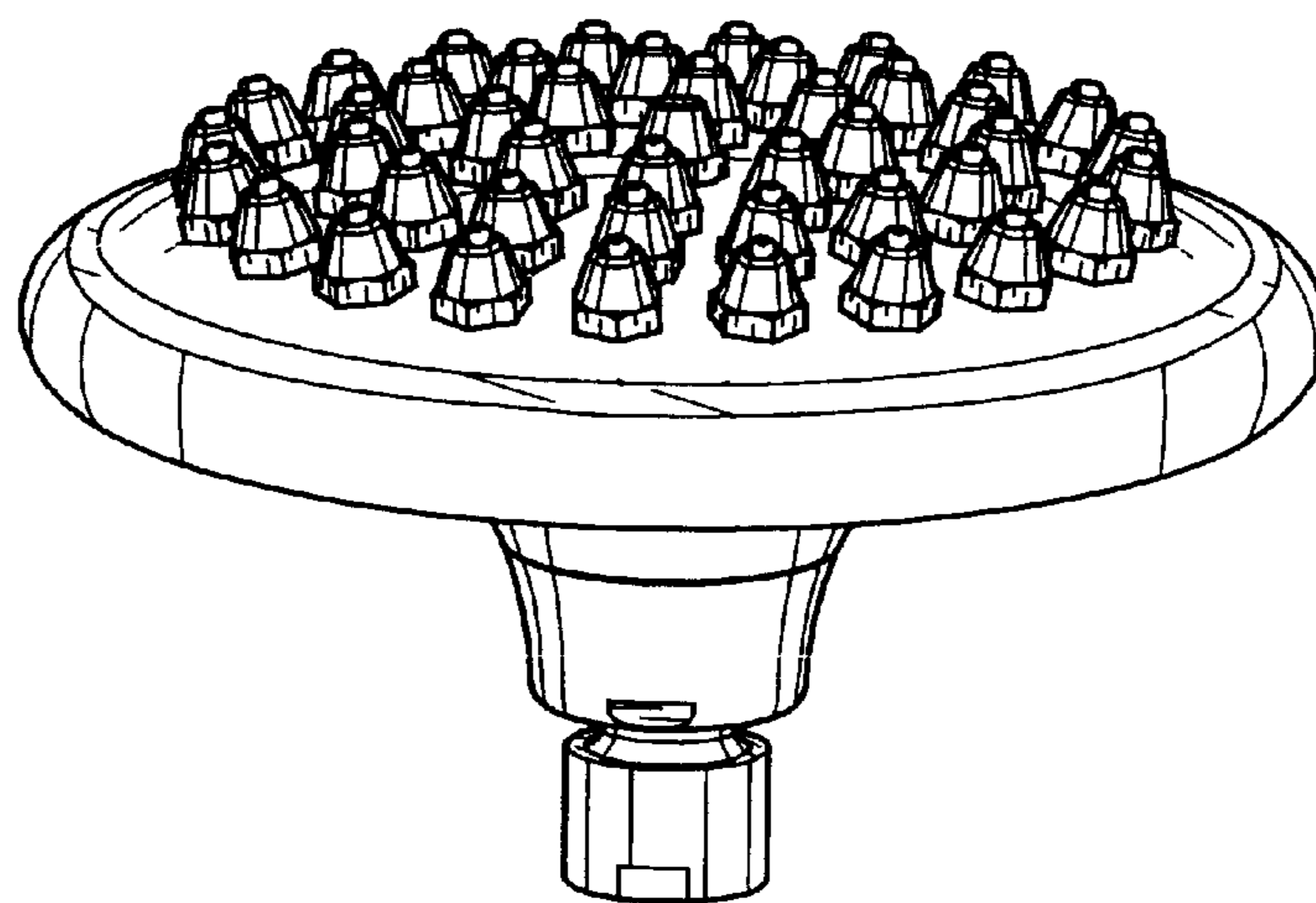


FIG. 2

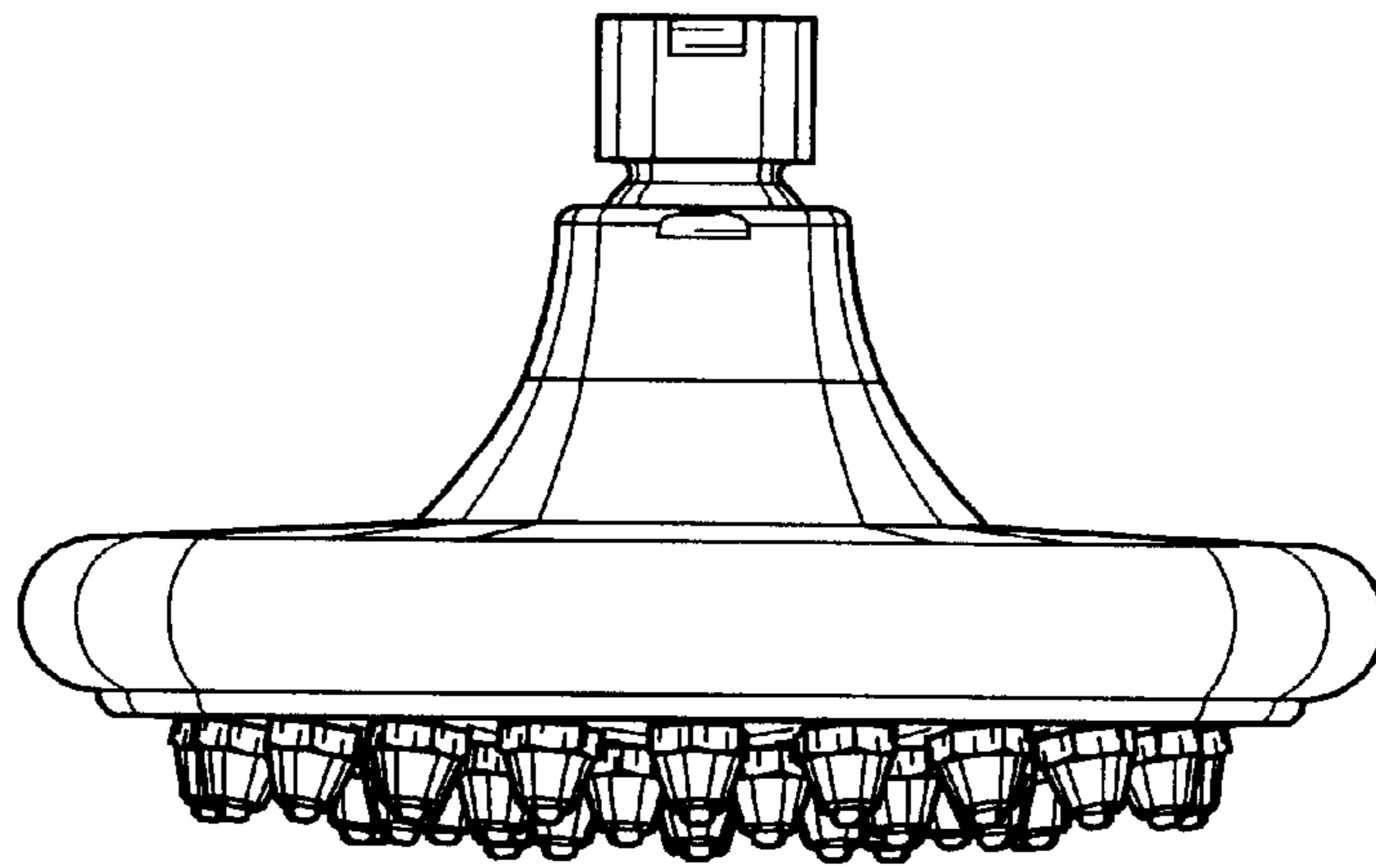


FIG. 3

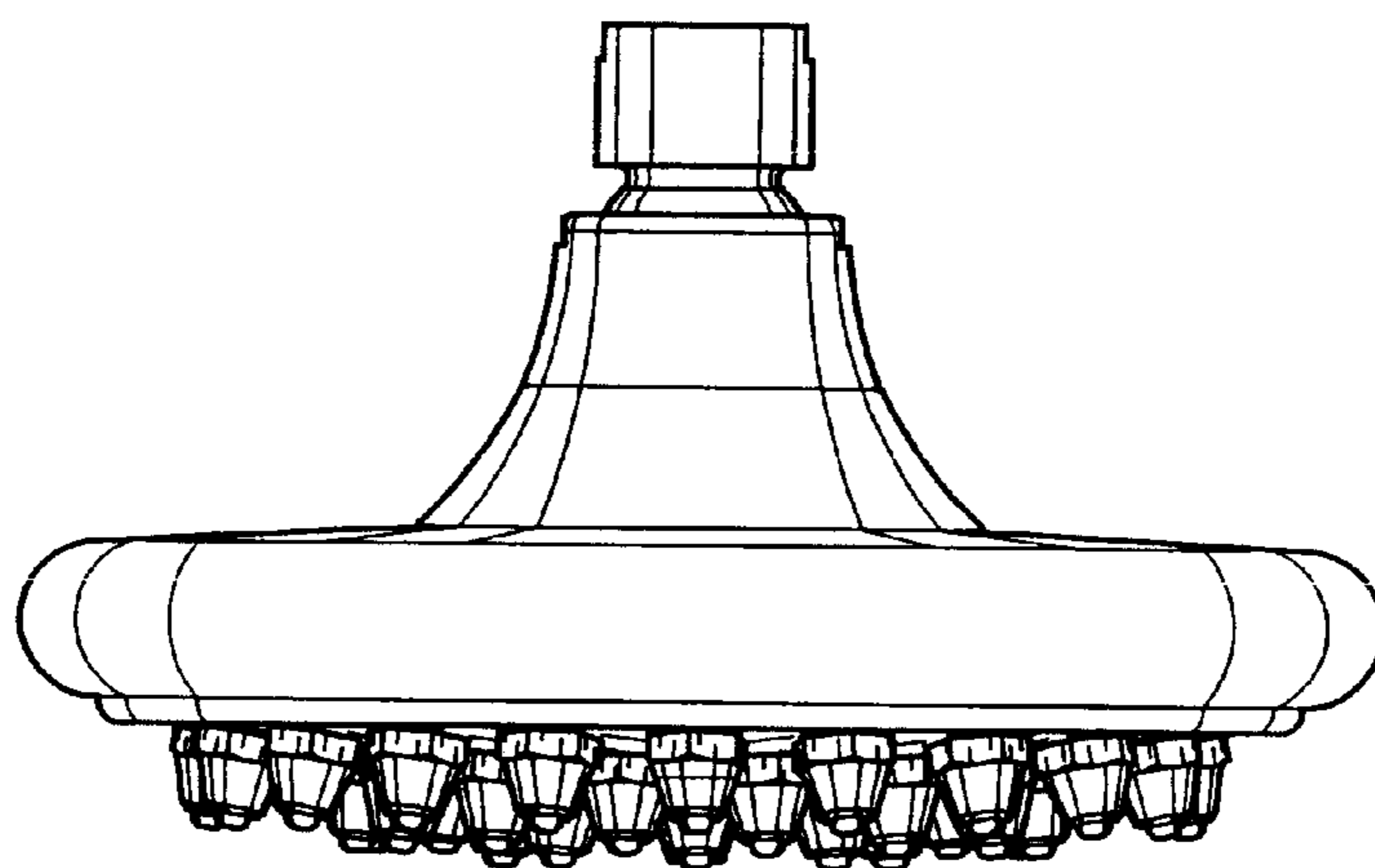


FIG. 4

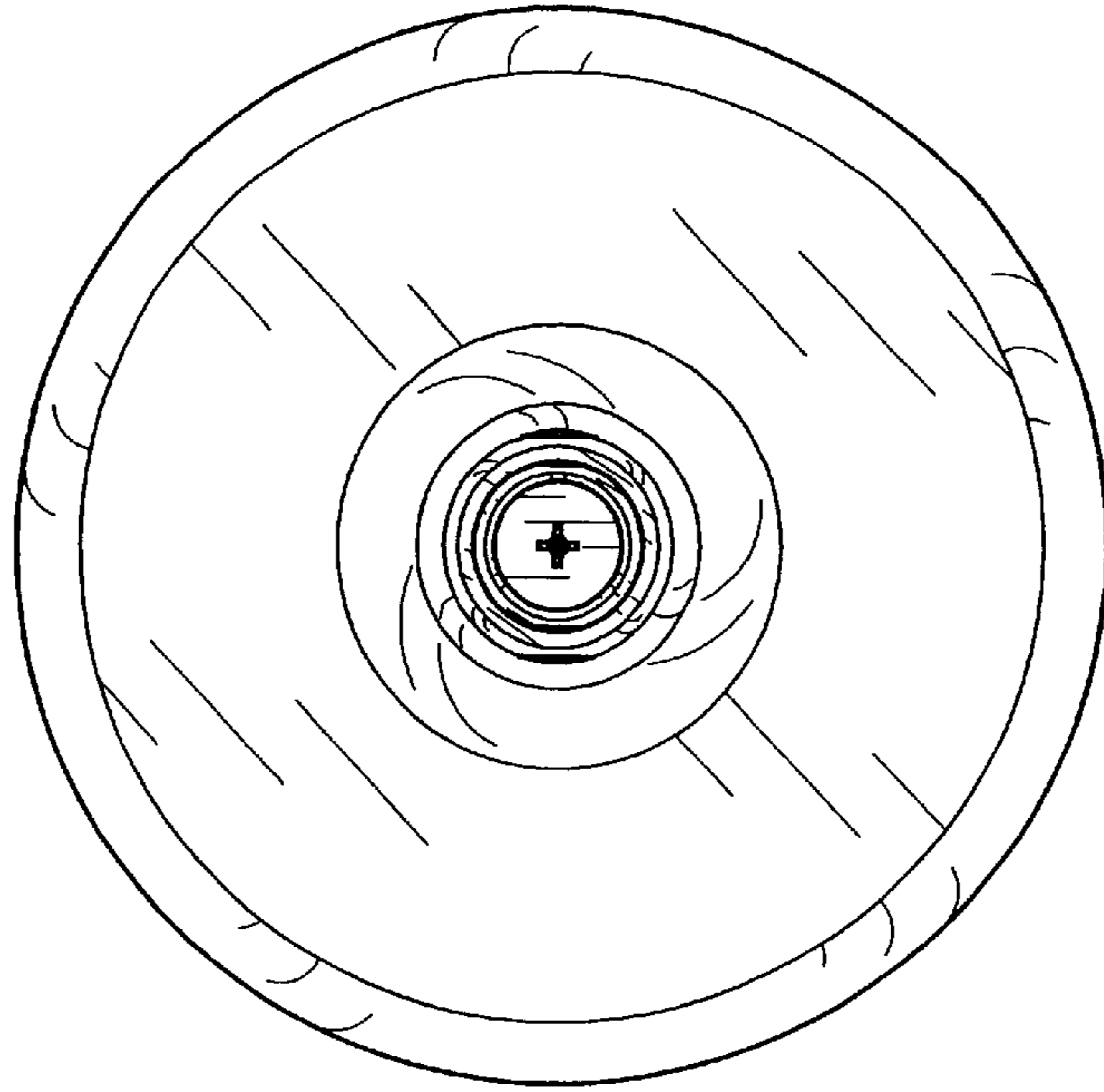


FIG. 5

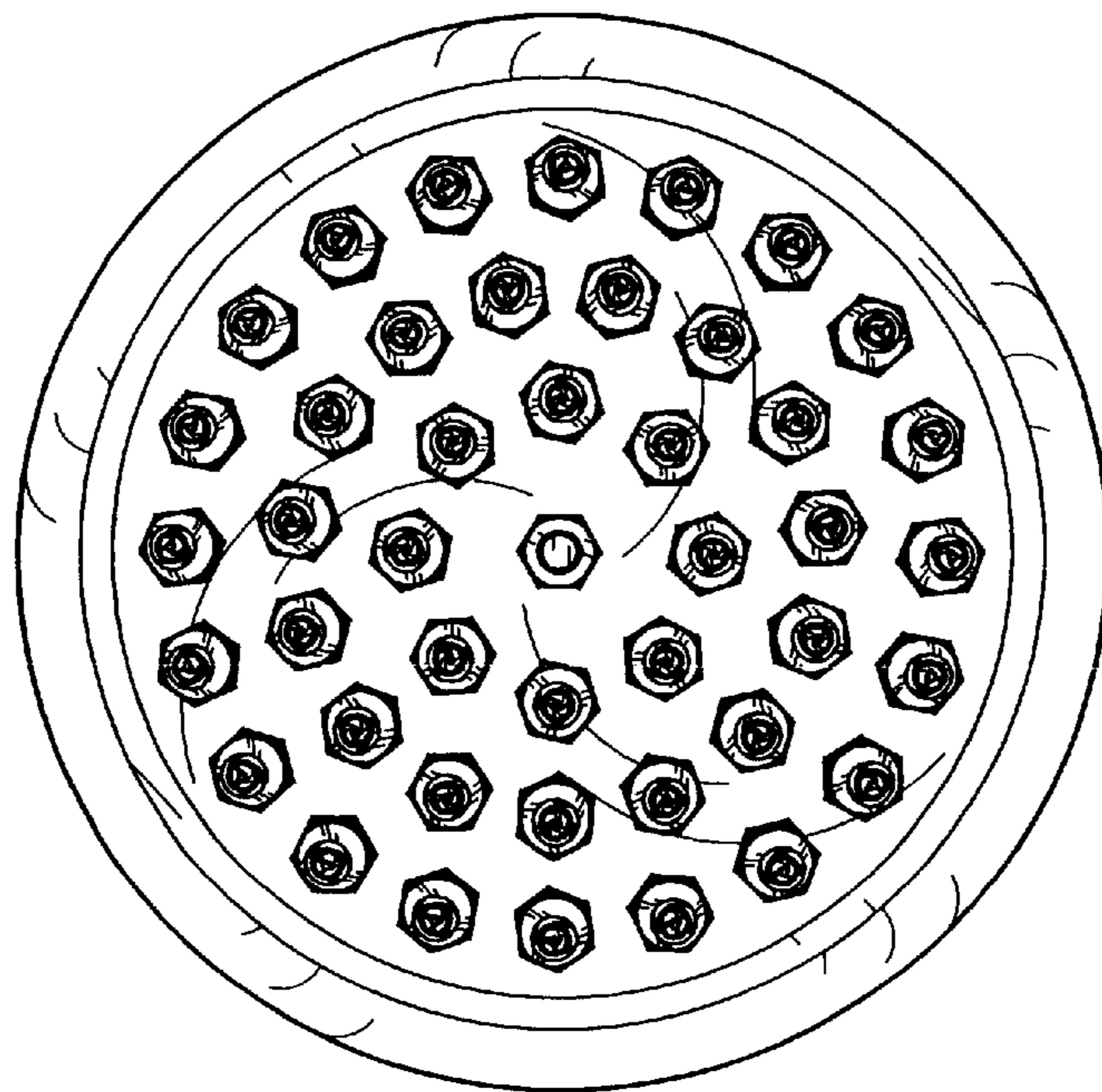


FIG. 6