



US00D530778S

(12) **United States Design Patent**
Young

(10) **Patent No.:** **US D530,778 S**

(45) **Date of Patent:** **** Oct. 24, 2006**

(54) **FISHING REEL**

(76) **Inventor:** **John N. Young**, 35 Berry Trail, Fairfax,
CA (US) 94930

(**) **Term:** **14 Years**

(21) **Appl. No.:** **29/234,867**

(22) **Filed:** **Jul. 25, 2005**

(51) **LOC (8) Cl.** **22-05**

(52) **U.S. Cl.** **D22/141**

(58) **Field of Classification Search** D22/141,
D22/140; 242/234–240, 310–312, 314, 319,
242/323

See application file for complete search history.

(56) **References Cited**

U.S. PATENT DOCUMENTS

D376,409 S	*	12/1996	Zwayer et al.	D22/141
D404,109 S	*	1/1999	Zwayer et al.	D22/141
6,138,935 A	*	10/2000	Zwayer et al.	242/311
D443,333 S	*	6/2001	Gibson	D22/140

D459,430 S	*	6/2002	Burke	D22/140
D460,994 S	*	7/2002	Burke	D22/140
D482,753 S	*	11/2003	Burke	D22/140

* cited by examiner

Primary Examiner—Catherine R. Oliver

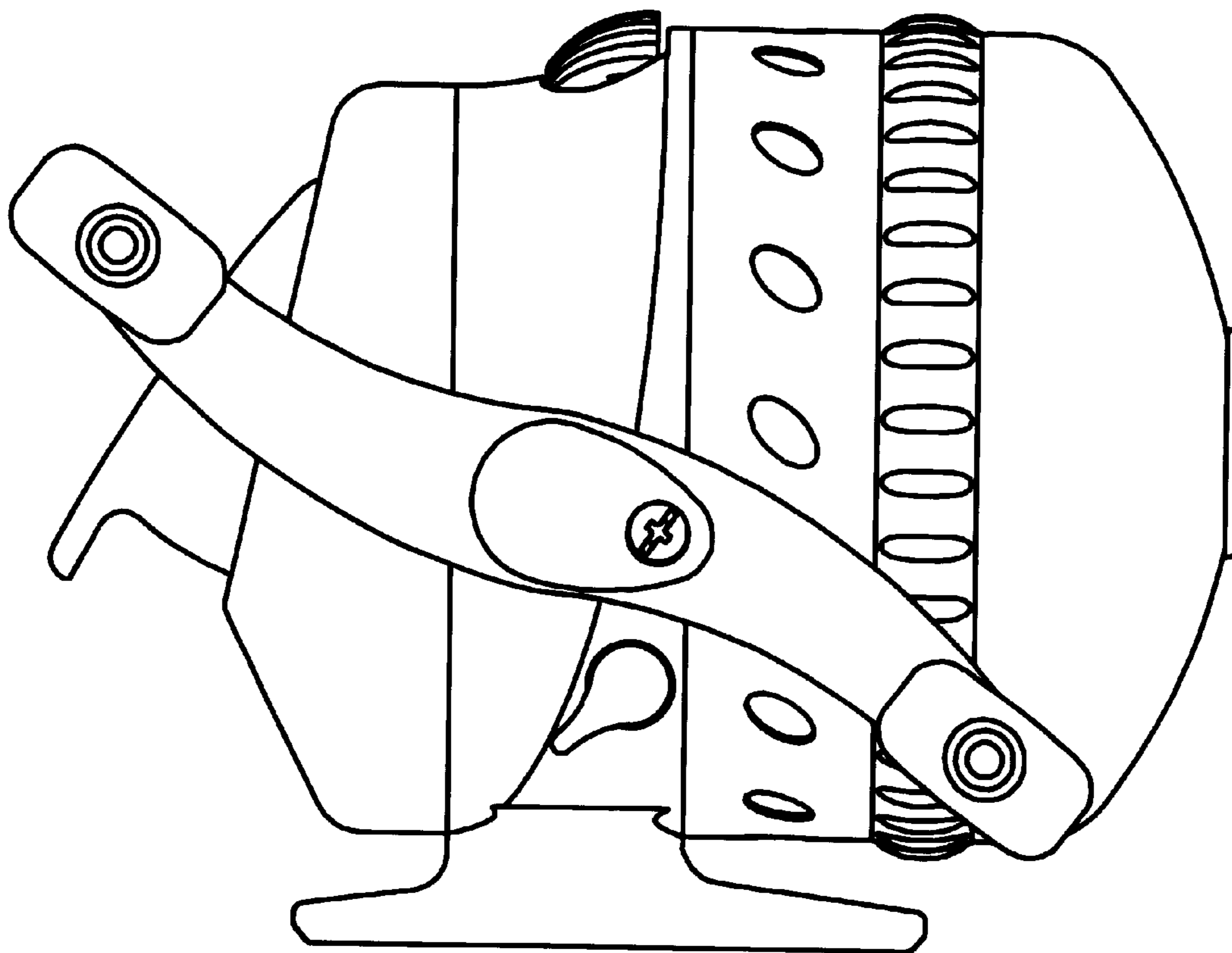
(57) **CLAIM**

The ornamental design for a fishing reel, as shown and described.

DESCRIPTION

FIG. 1 is a left side elevation view of a fishing reel showing my new design;
 FIG. 2 is a right side elevation view thereof;
 FIG. 3 is a right rear perspective view thereof;
 FIG. 4 is a right front perspective view thereof;
 FIG. 5 is a left front perspective view thereof;
 FIG. 6 is a left rear perspective view thereof;
 FIG. 7 is a front elevation view thereof; and,
 FIG. 8 is a rear elevation view.

1 Claim, 8 Drawing Sheets



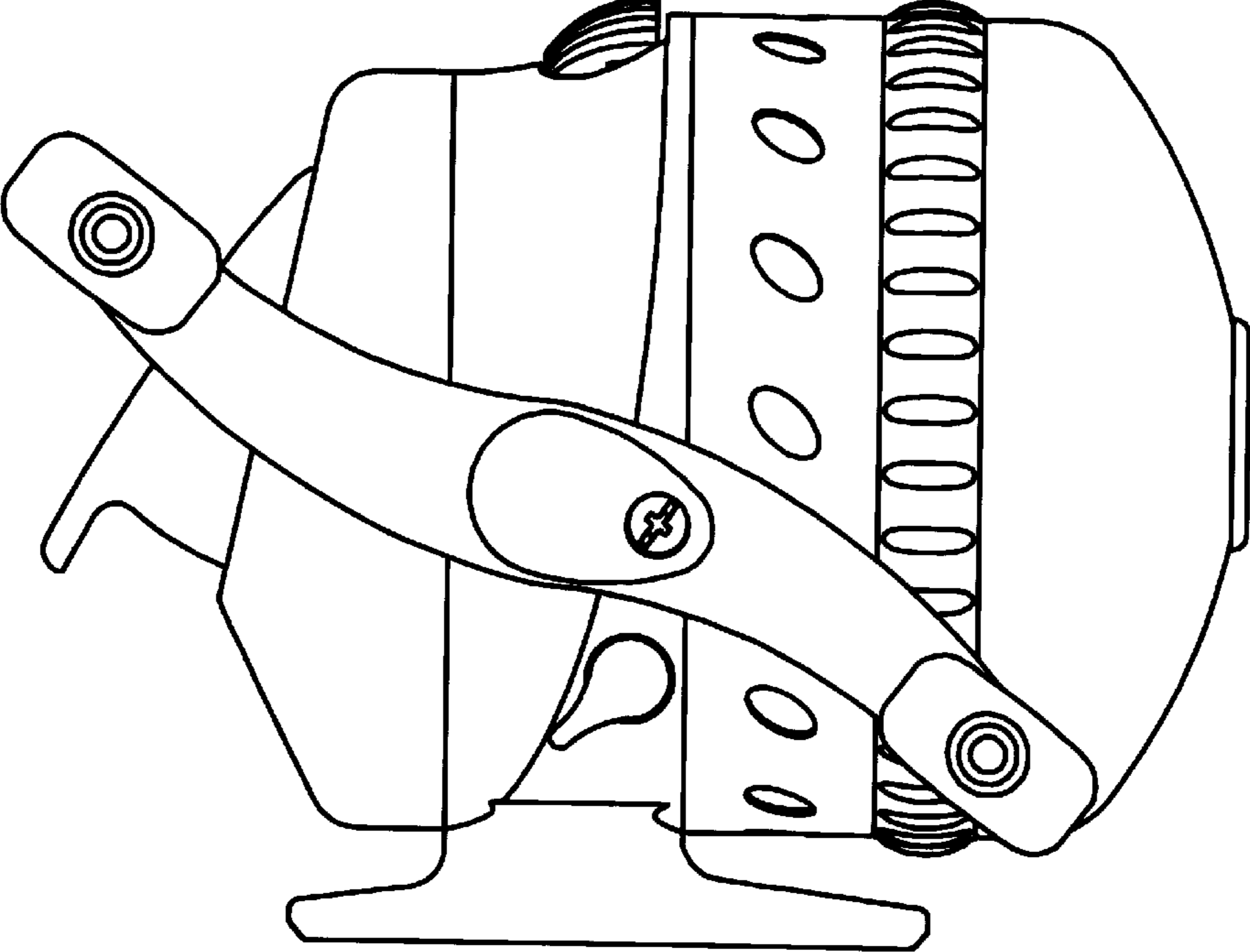


FIG 1

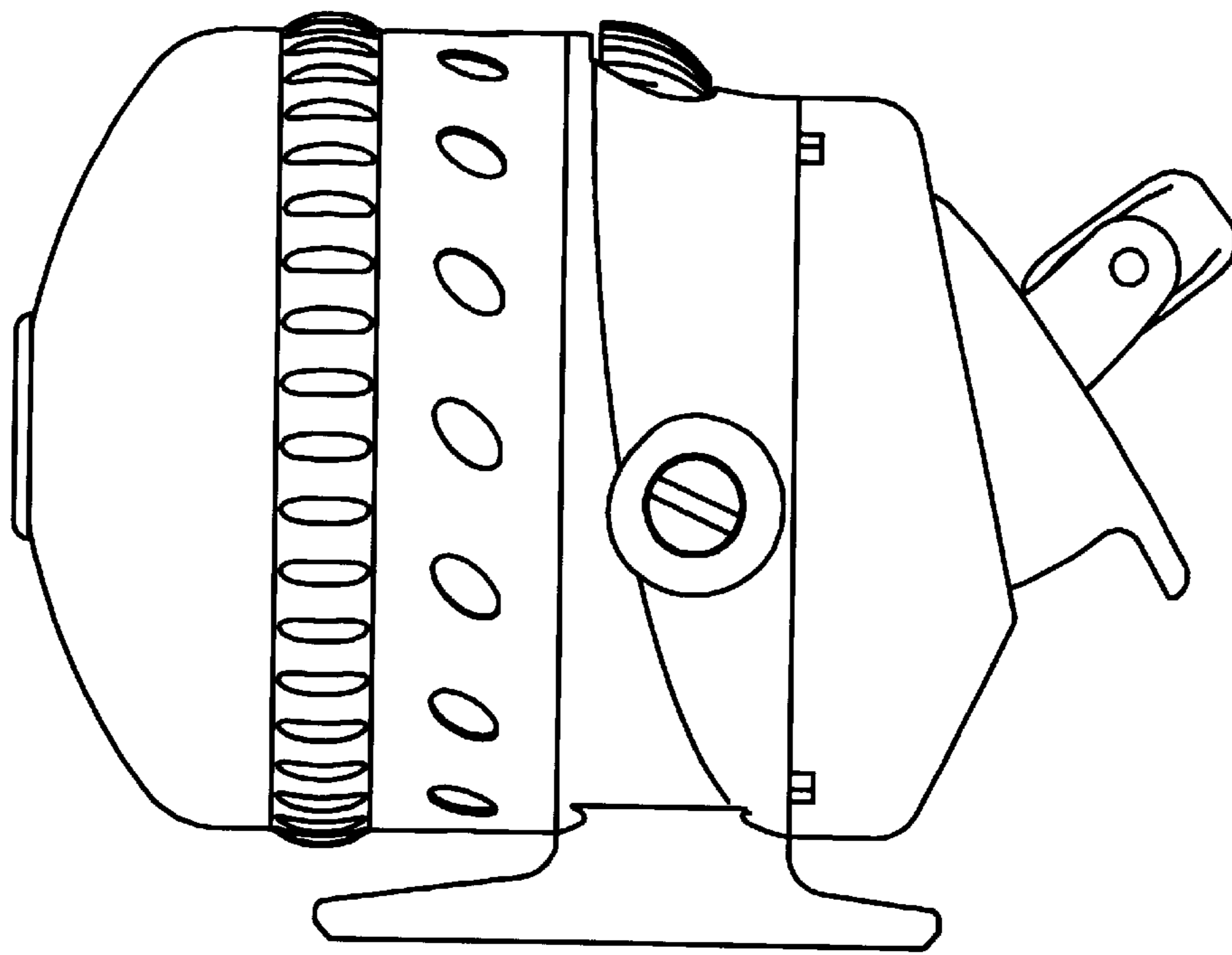


FIG 2

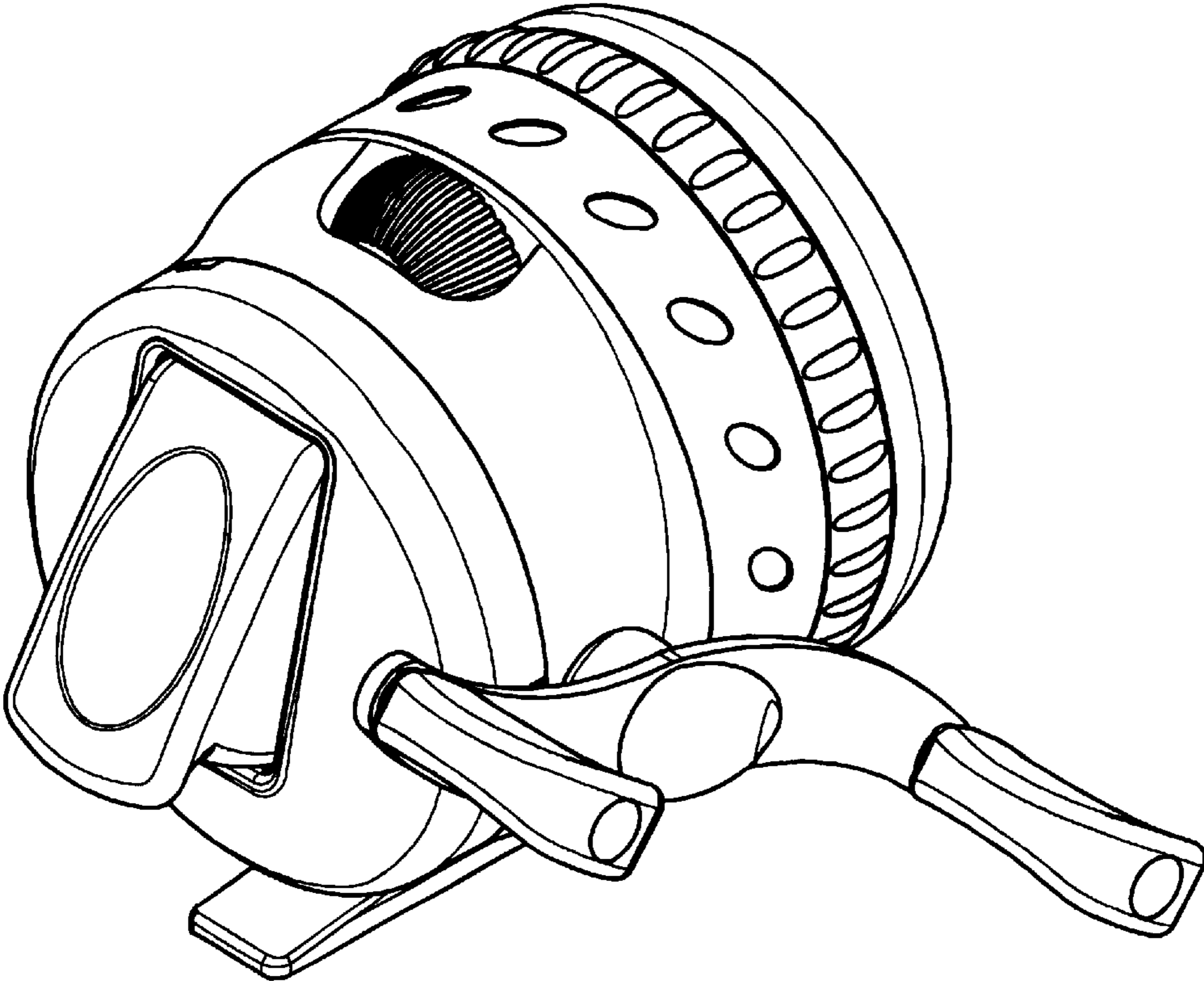


FIG 3

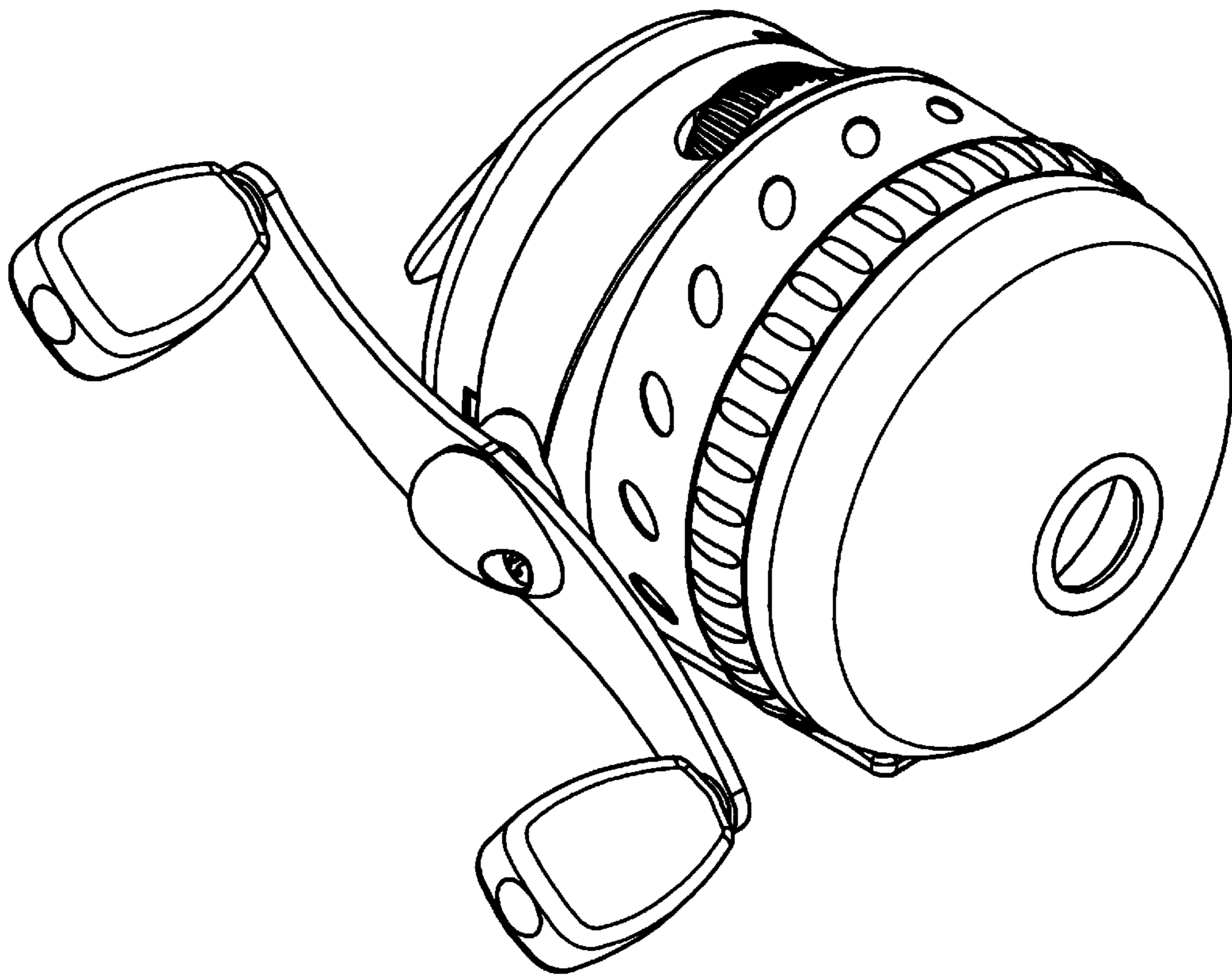


FIG 4

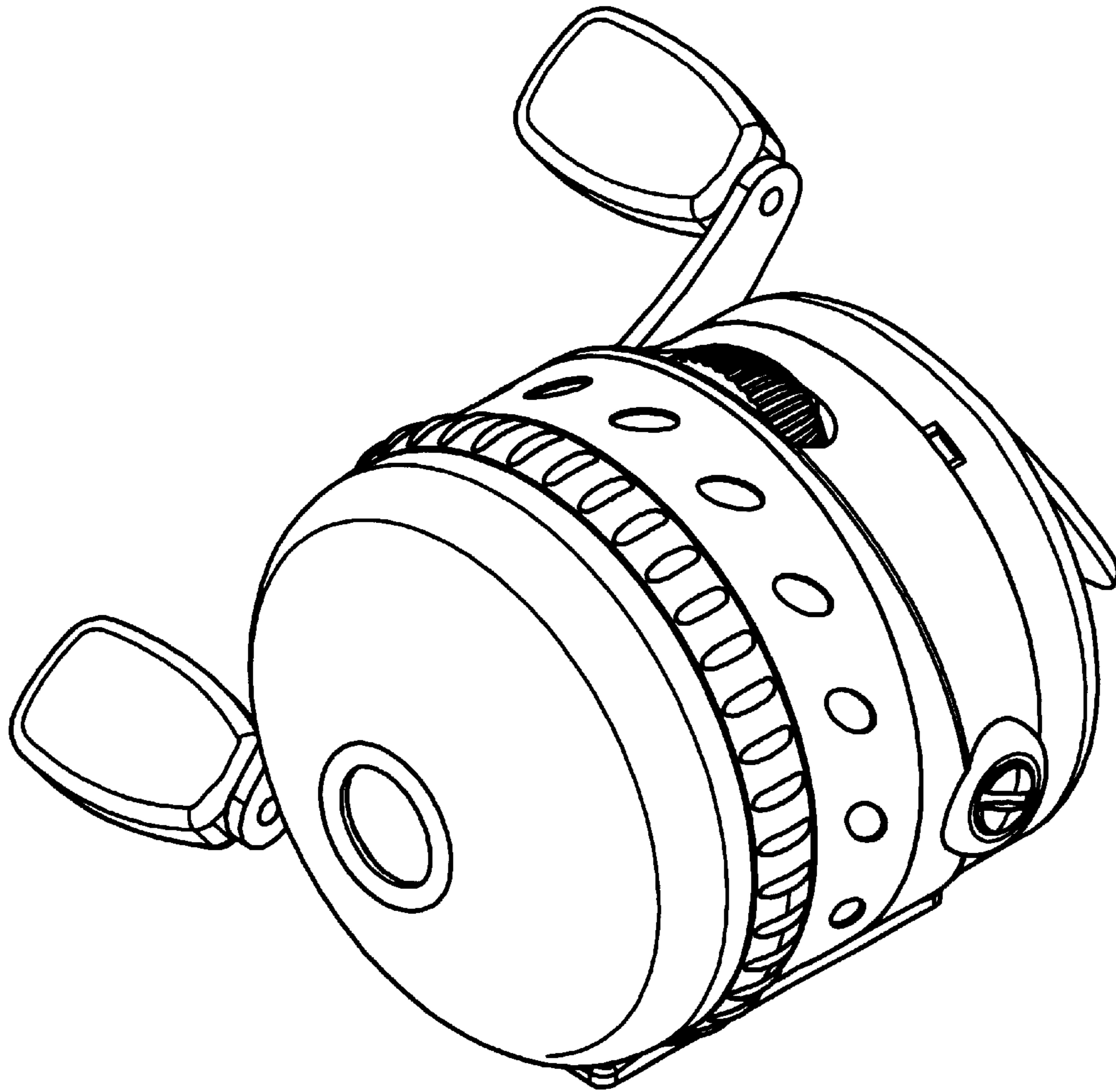


FIG 5

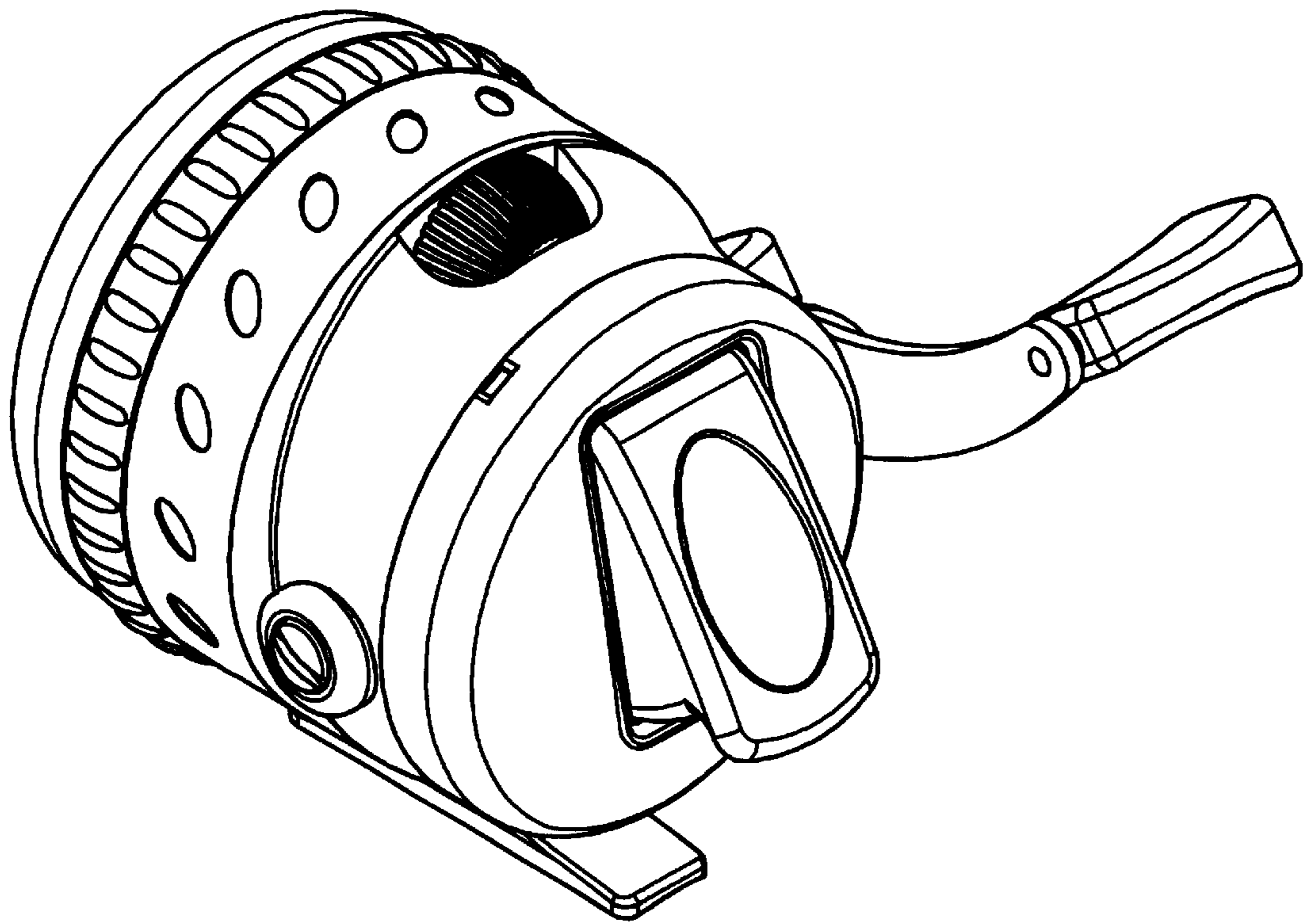


FIG 6

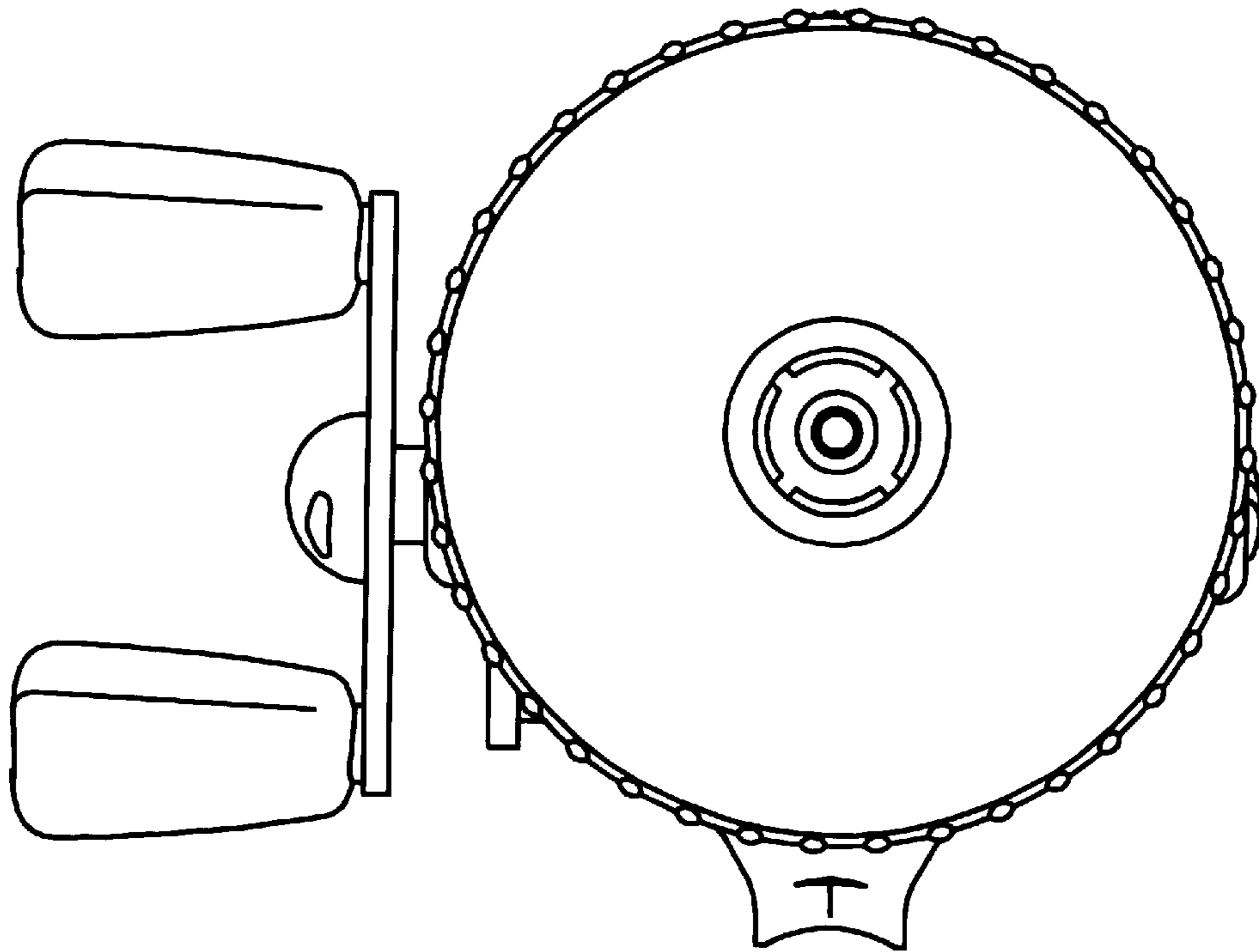


FIG 7

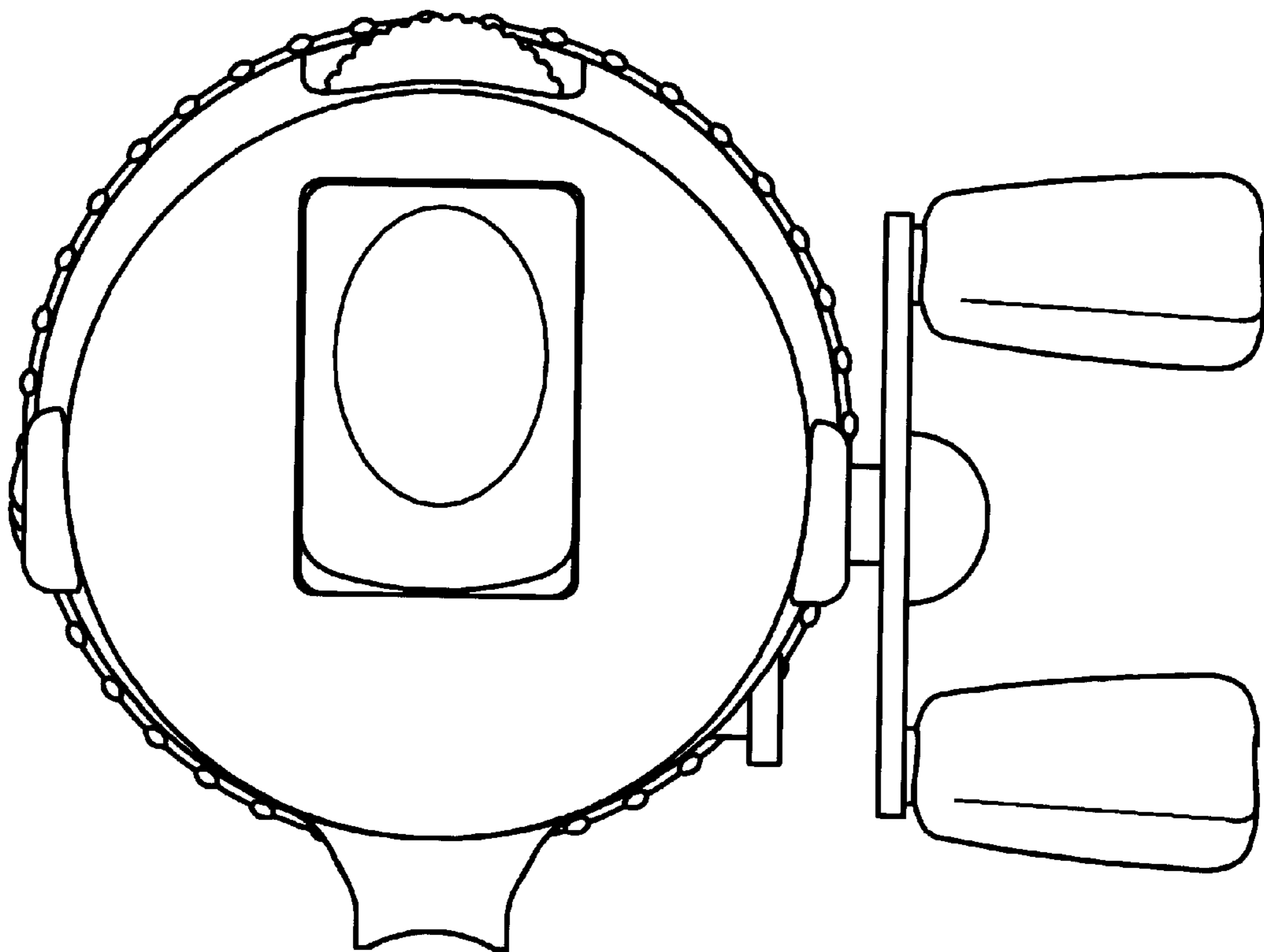


FIG 8