



US00D530775S

(12) **United States Design Patent**
LaCorte

(10) **Patent No.:** **US D530,775 S**

(45) **Date of Patent:** **** Oct. 24, 2006**

(54) **RETICLE FOR A TELESCOPIC GUN SCOPE**

(75) Inventor: **Jon B. LaCorte**, East Northport, NY (US)

(73) Assignee: **Nikon Inc.**, Melville, NY (US)

(**) Term: **14 Years**

(21) Appl. No.: **29/236,532**

(22) Filed: **Aug. 18, 2005**

(51) **LOC (8) Cl.** **22-01**

(52) **U.S. Cl.** **D22/108**

(58) **Field of Classification Search** D22/108;
D16/130, 134; 33/297, 398; 42/122, 130;
356/21, 29, 250-252, 139.02; 359/424, 428;
235/414

See application file for complete search history.

(56) **References Cited**

U.S. PATENT DOCUMENTS

3,190,003	A	*	6/1965	O'Brien	33/297
4,285,137	A	*	8/1981	Jennie	42/122
4,584,776	A		4/1986	Shepherd		
D285,540	S		9/1986	Allen		
4,789,231	A		12/1988	Shimizu		
D306,173	S		2/1990	Reese		
5,491,546	A		2/1996	Wascher et al.		
D397,704	S		9/1998	Reese		
D403,686	S		1/1999	Reese		
5,920,995	A		7/1999	Sammut		
6,032,374	A		3/2000	Sammut		
6,357,158	B1		3/2002	Smith, III		
D456,057	S	*	4/2002	Smith, III	D22/108
D475,758	S		6/2003	Ishikawa		
6,591,537	B1		7/2003	Smith		
6,681,512	B1	*	1/2004	Sammut	42/122

D517,153	S	*	3/2006	Timm et al.	D22/109
2001/0017730	A1	*	8/2001	Ruh	359/428
2005/0005495	A1		1/2005	Smith		
2005/0229468	A1	*	10/2005	Zaderey et al.	42/122

OTHER PUBLICATIONS

T.D. Smith, III; "Beware the One-Man Gun!" brochure; 1992; T.D. Smith, Inc.

* cited by examiner

Primary Examiner—Ian Simmons

Assistant Examiner—Melanie Levy

(74) Attorney, Agent, or Firm—Oliff & Berridge PLC

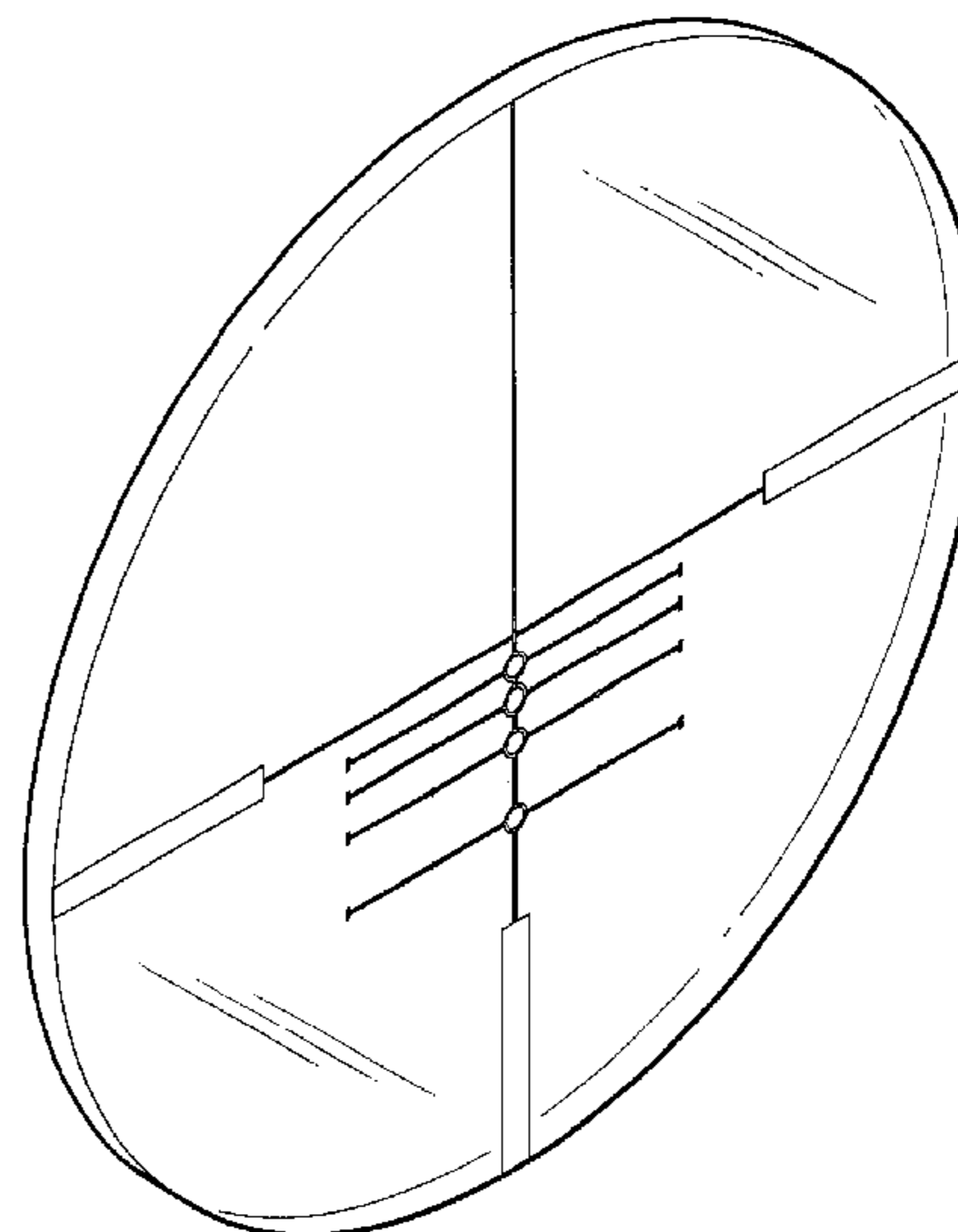
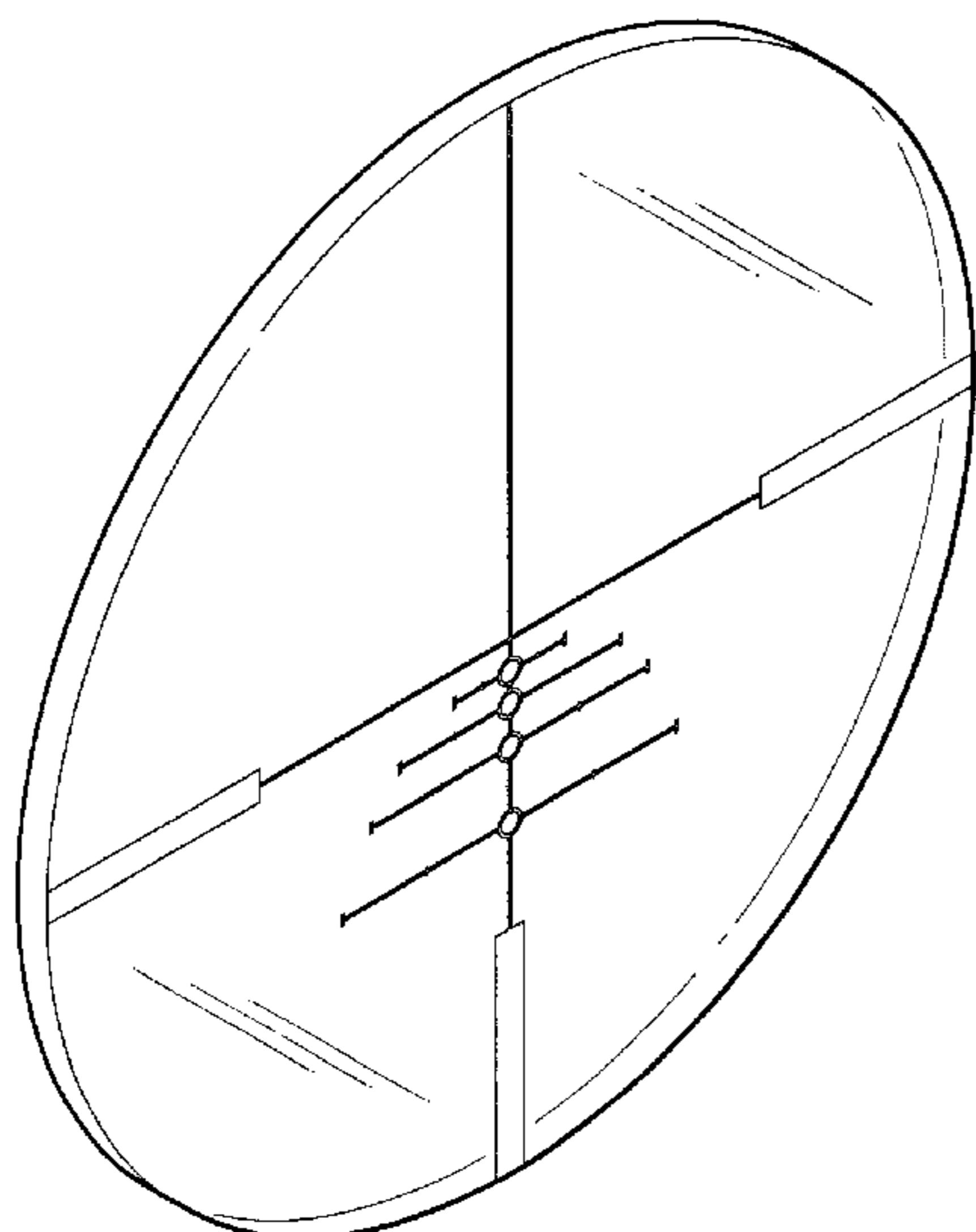
(57) **CLAIM**

The ornamental design for reticle for a telescopic gun scope, as shown and described.

DESCRIPTION

FIG. 1 is a front perspective view of one embodiment of a reticle for a telescopic gun scope;
 FIG. 2 is a front view thereof, the rear view being a mirror image of the front view thereof;
 FIG. 3 is a left view thereof, the right view being a mirror image of the left view thereof;
 FIG. 4 is a top view thereof, the bottom view being a mirror image of the top view thereof;
 FIG. 5 is a front perspective view of a second embodiment of a reticle for a telescopic gun scope;
 FIG. 6 is a front view thereof, the rear view being a mirror image of the front view thereof;
 FIG. 7 is a left view thereof, the right view being a mirror image of the left view thereof; and,
 FIG. 8 is a top view thereof, the bottom view being a mirror image of the top view thereof.

1 Claim, 4 Drawing Sheets



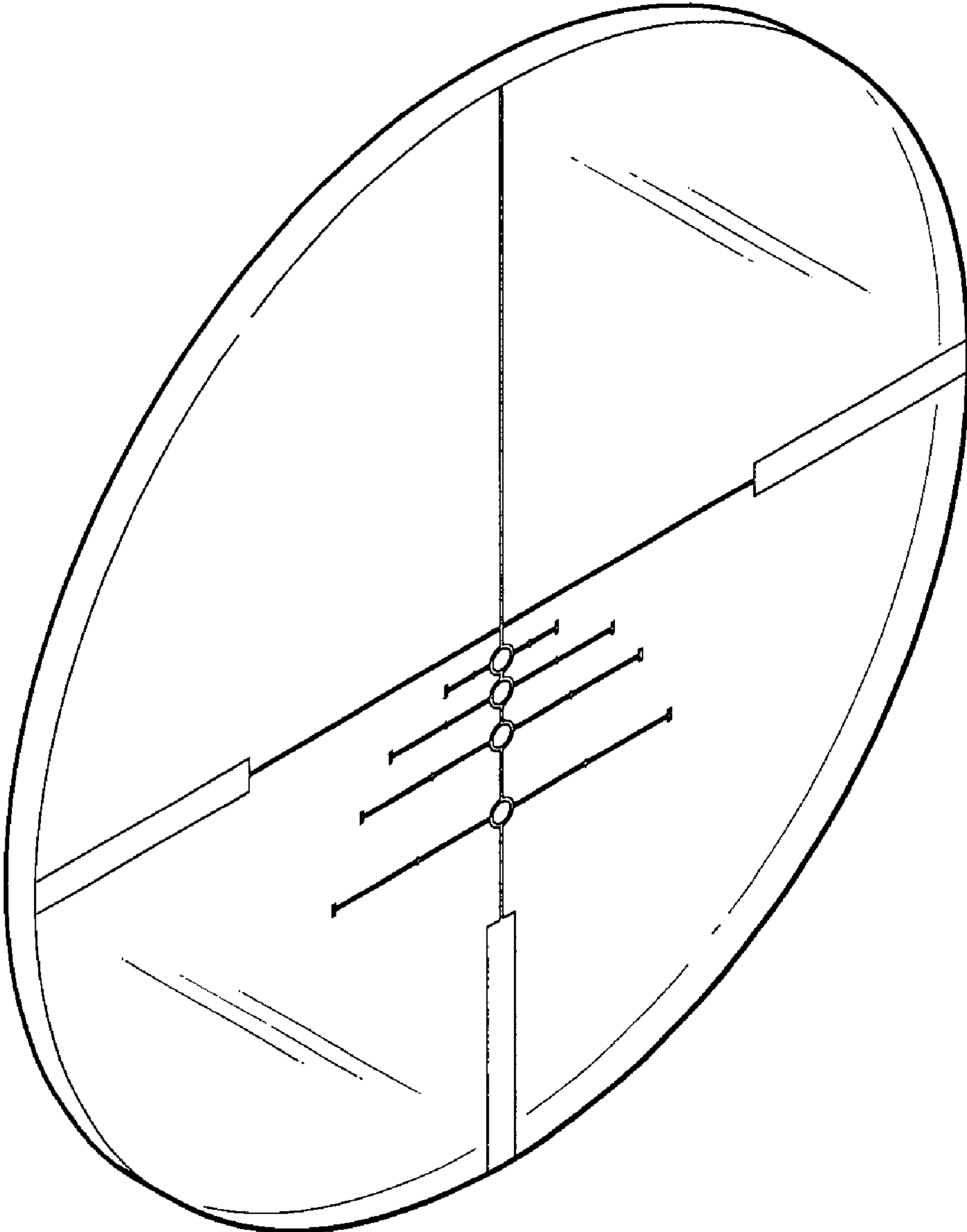


FIG. 1

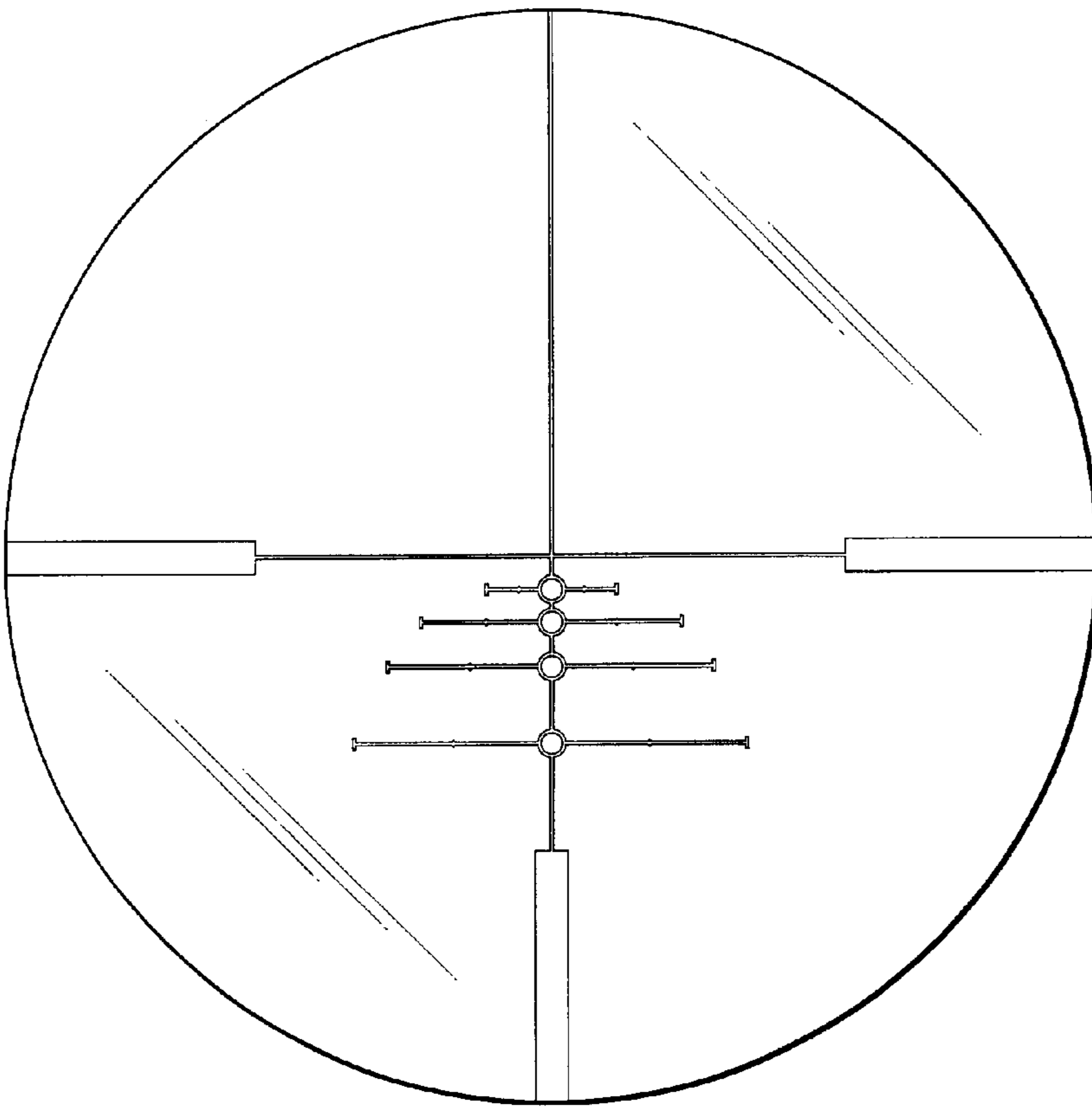


FIG. 2

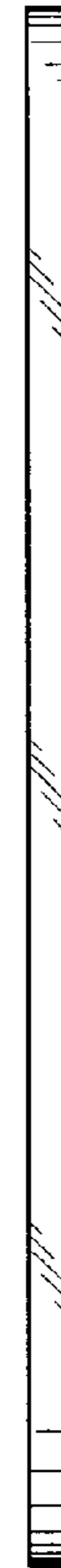


FIG. 3



FIG. 4

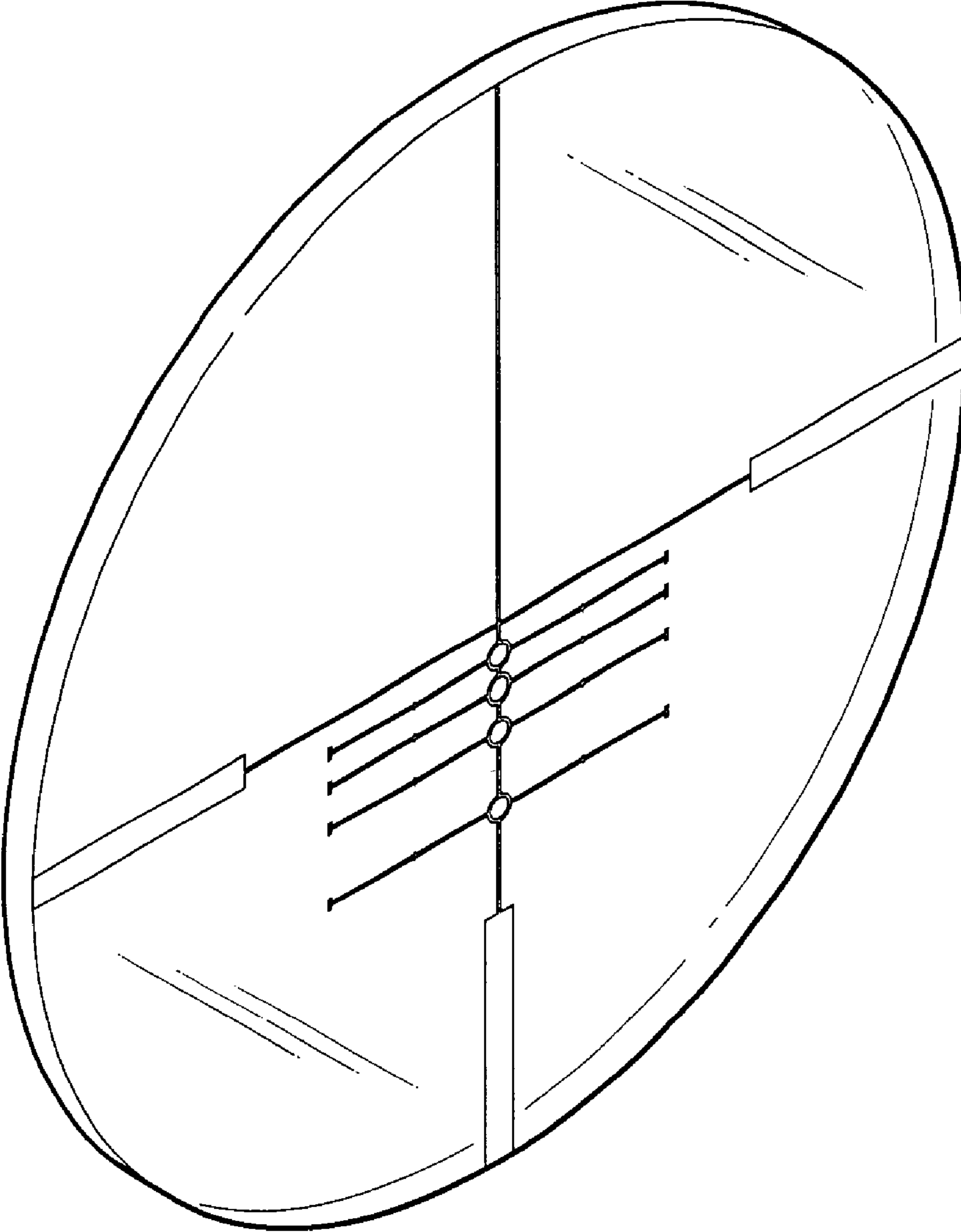


FIG. 5

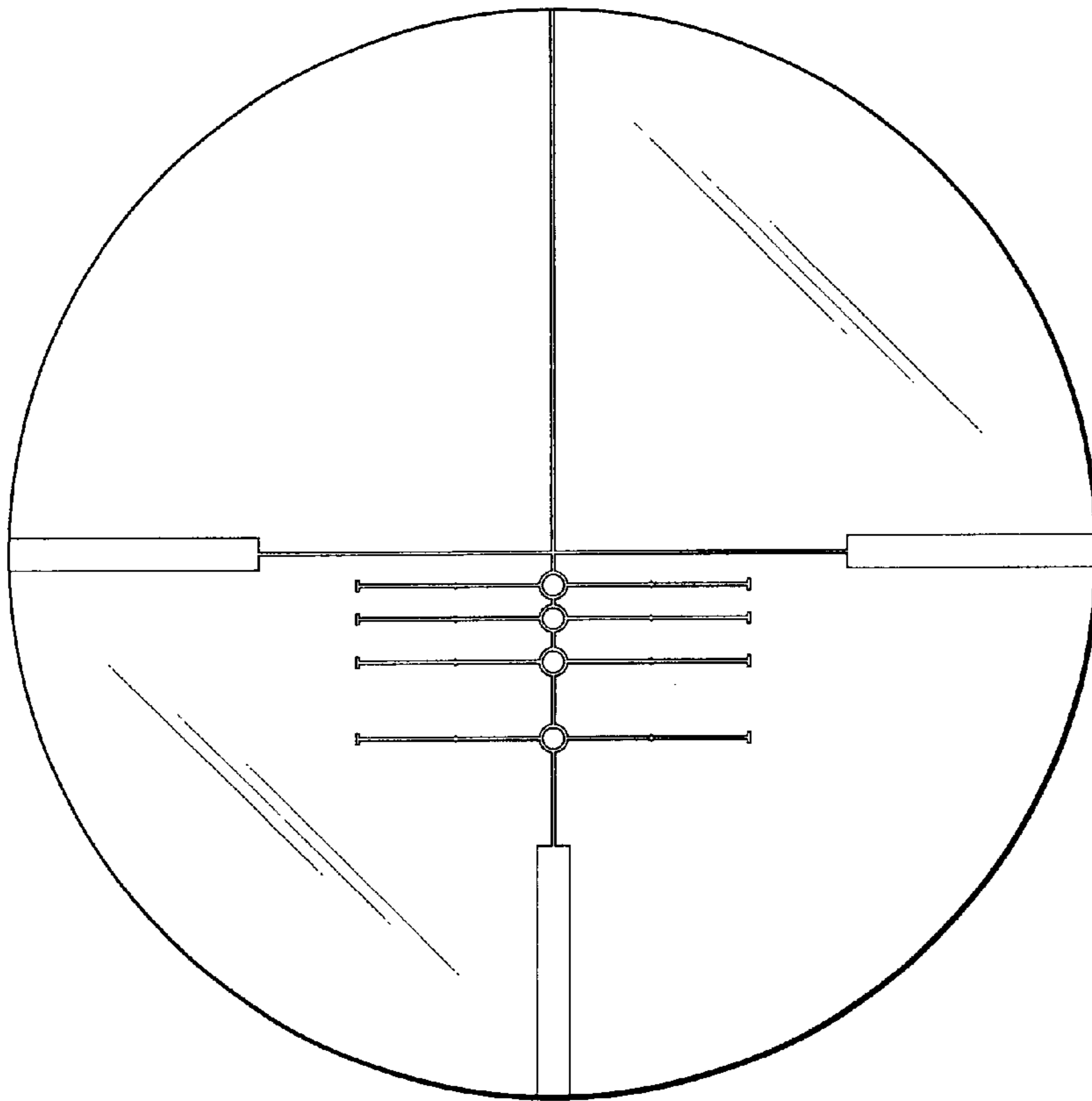


FIG. 6

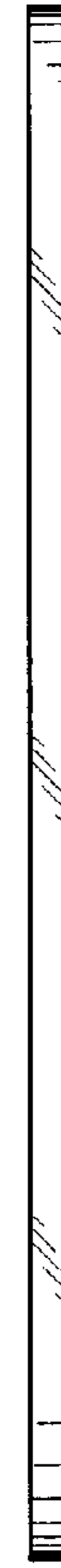


FIG. 7



FIG. 8