



US00D530774S

(12) **United States Design Patent**
Oscarsson et al.

(10) **Patent No.:** **US D530,774 S**
(45) **Date of Patent:** **** Oct. 24, 2006**

(54) **BAYONET STUN GUN**

(76) Inventors: **Rolf A. Oscarsson**, 1550 Winchell Dr., Hudson, OH (US) 44236; **Donovan Hunter**, 1508 A Bav Villa Pl., Tampa, FL (US) 33629

(**) Term: **14 Years**

(21) Appl. No.: **29/222,246**

(22) Filed: **Jan. 27, 2005**

(51) **LOC (8) Cl.** **22-01**

(52) **U.S. Cl.** **D22/108**

(58) **Field of Classification Search** D22/100-104, D22/108, 117, 134; 463/47.7; 42/117, 1.08, 42/84, 85, 86, 90; 361/232; 89/37.04, 1.11; 222/183

See application file for complete search history.

(56) **References Cited**

U.S. PATENT DOCUMENTS

3,998,459	A	*	12/1976	Henderson et al.	463/47.3
5,118,108	A		6/1992	Wilmoth		
D354,328	S		1/1995	McCarty		
5,529,300	A	*	6/1996	Frazier et al.	463/47.4
5,581,898	A	*	12/1996	Thummel	42/117
5,671,559	A	*	9/1997	Ludaesher et al.	42/1.08
5,787,628	A	*	8/1998	Teetzel	42/1.08
D404,789	S		1/1999	Starrett		
5,983,548	A	*	11/1999	Ludaescher	42/1.08

D449,367	S		10/2001	Cushman et al.		
6,404,613	B1	*	6/2002	Dowling et al.	361/232
D469,498	S		1/2003	Oscarsson		
6,615,622	B1		9/2003	MacAleese et al.		
6,782,789	B1	*	8/2004	McNulty, Jr.	89/1.11
6,786,368	B1		9/2004	Cellini et al.		
6,963,480	B1	*	11/2005	Eccles	361/232

* cited by examiner

Primary Examiner—Ian Simmons

Assistant Examiner—Melanie Levy

(74) *Attorney, Agent, or Firm*—Buckingham, Doolittle & Burroughs, LLP; Louis F. Wagner

(57) **CLAIM**

We claim the ornamental design for a bayonet stun gun, as shown and described.

DESCRIPTION

FIG. 1 is a perspective view of a bayonet stun gun showing our new design with the broken line showing of a weapon for illustrative purposes only forming no part of the claimed design.

FIG. 2 is a front elevational view of the bayonet stun gun of FIG. 1;

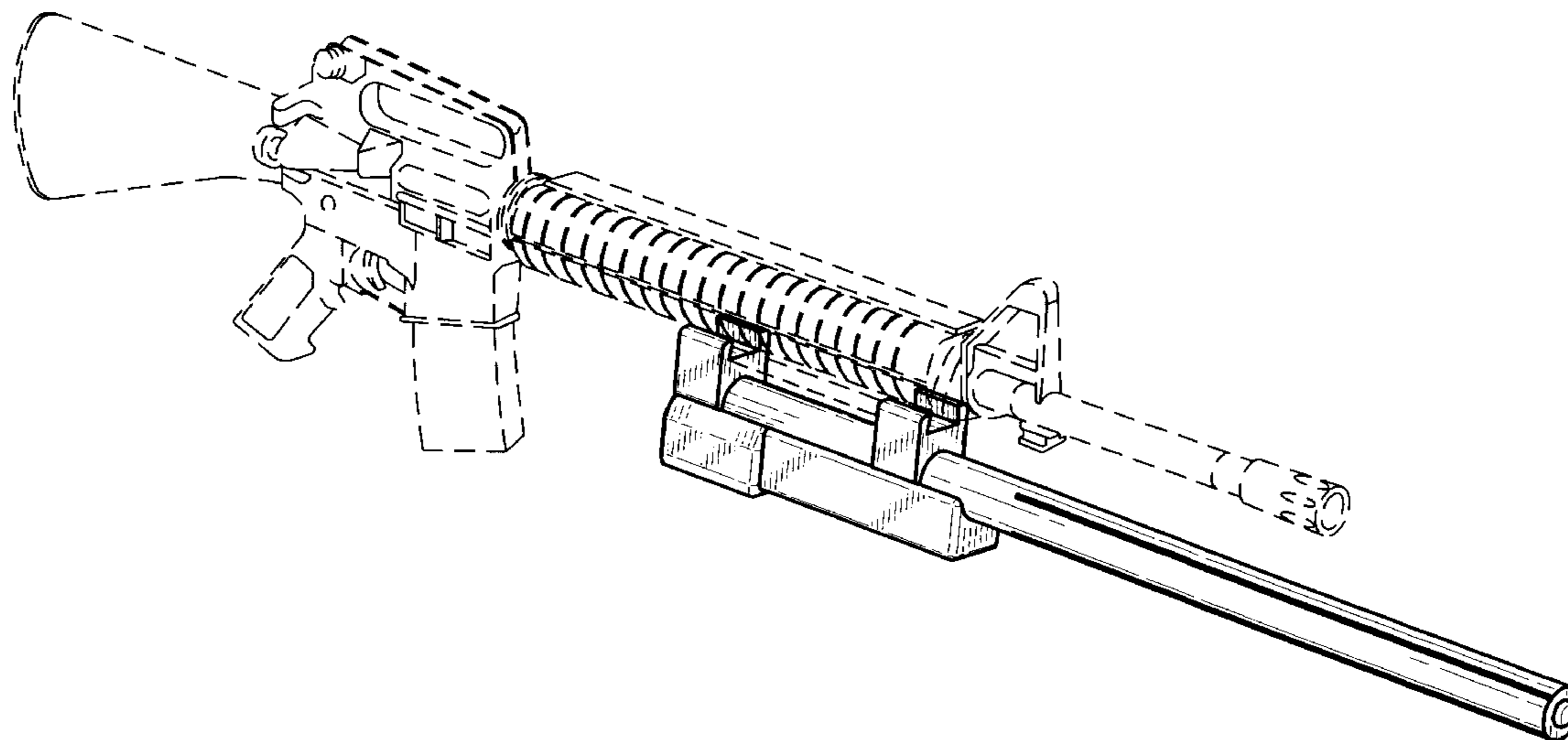
FIG. 3 is a bottom elevational view of FIG. 2;

FIG. 4 is a side elevational view of FIG. 2;

FIG. 5 is a top elevational view of FIG. 2; and,

FIG. 6 is a rear elevational view of FIG. 2.

1 Claim, 2 Drawing Sheets



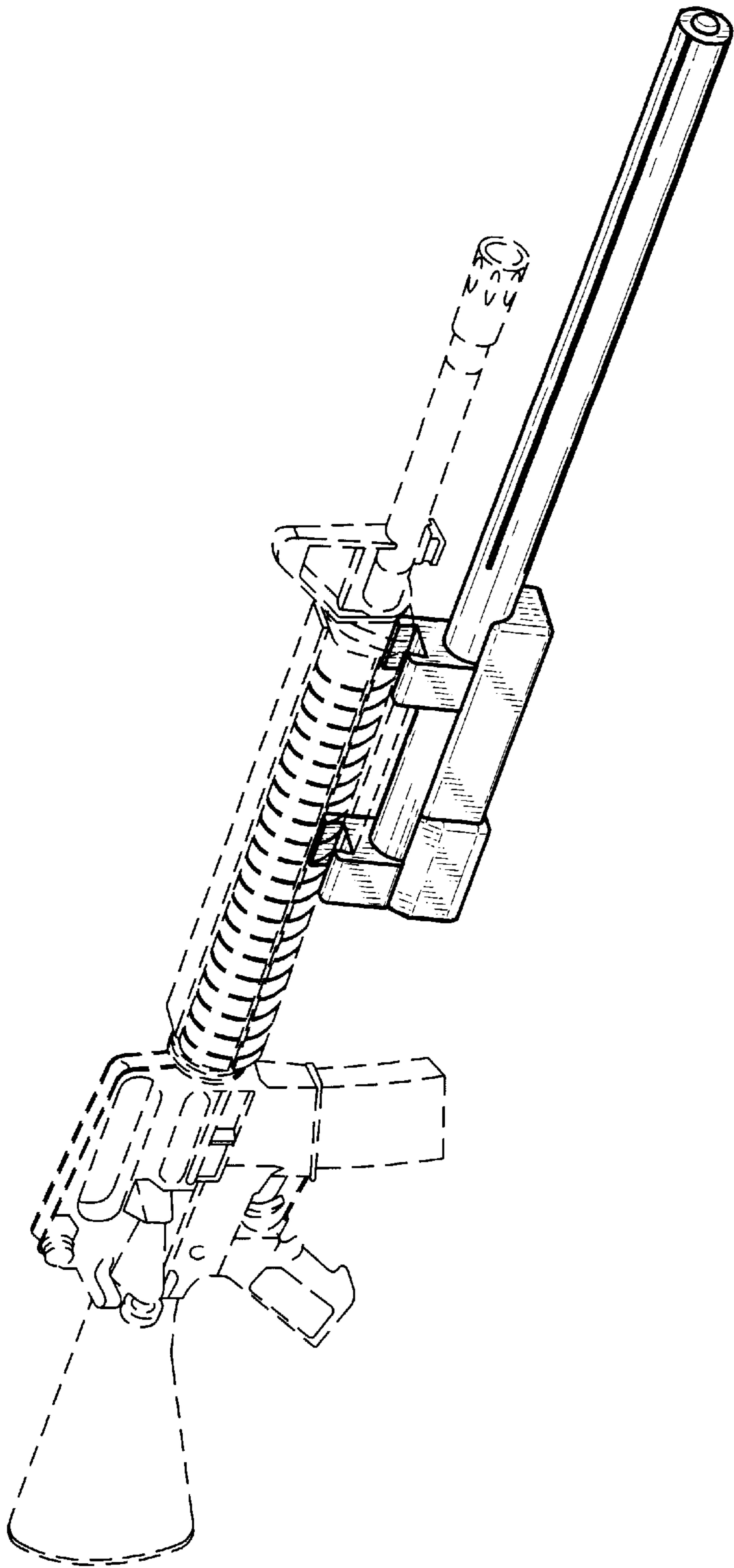


FIG-1

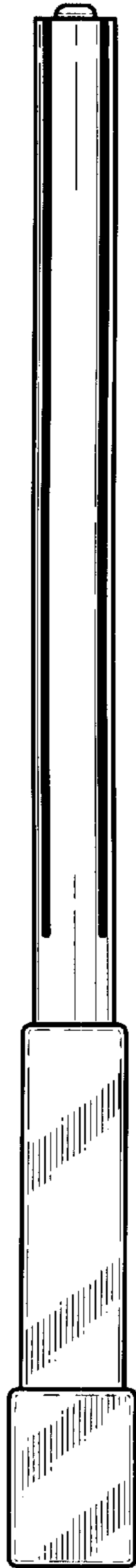


FIG-3

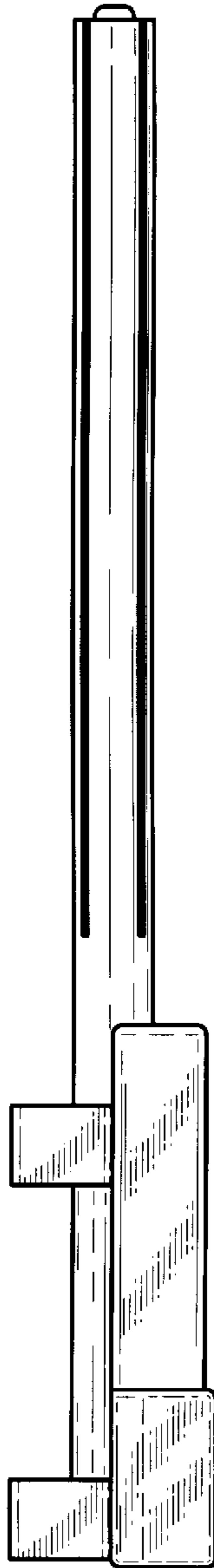


FIG-4

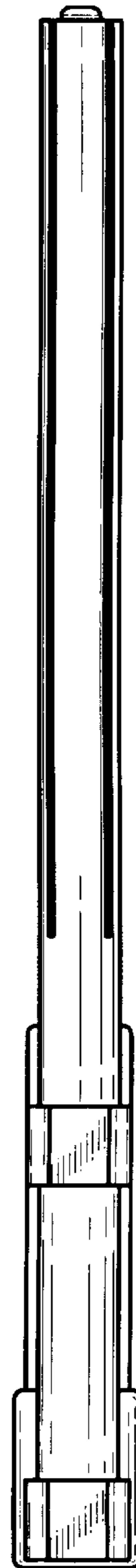


FIG-5

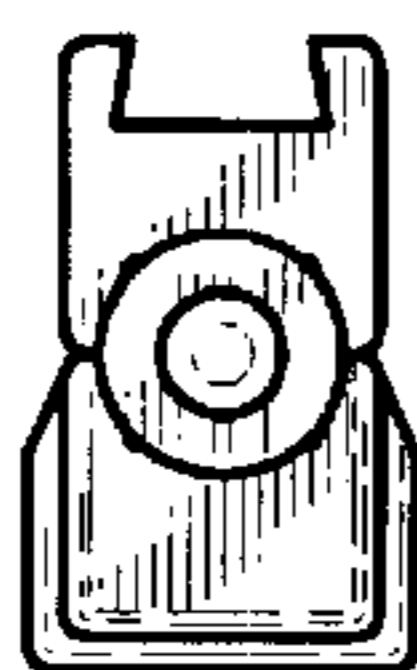


FIG-2



FIG-6