



US00D530773S

(12) **United States Design Patent**
Evans

(10) **Patent No.:** **US D530,773 S**

(45) **Date of Patent:** **** Oct. 24, 2006**

(54) **ARCHERY SIGHTING DEVICE**

(75) Inventor: **Daniel L. Evans**, Plains, MT (US)

(73) Assignee: **Trophy Taker, Inc.**, Plains, MT (US)

(**) Term: **14 Years**

(21) Appl. No.: **29/220,484**

(22) Filed: **Dec. 29, 2004**

(51) **LOC (8) Cl.** **22-01**

(52) **U.S. Cl.** **D22/107**

(58) **Field of Classification Search** D22/107;
33/265; 42/132, 136, 137, 138, 139, 145;
124/86-88

See application file for complete search history.

(56) **References Cited**

U.S. PATENT DOCUMENTS

5,103,568	A	*	4/1992	Canoy	33/265
5,406,712	A	*	4/1995	Slates	33/265
5,419,051	A	*	5/1995	Barngrover	33/265
5,560,113	A	*	10/1996	Simo et al.	33/265
D378,846	S	*	4/1997	Sodaro	D22/107
6,000,141	A	*	12/1999	Afshari	33/265
6,418,633	B1	*	7/2002	Rager	33/265
D487,789	S	*	3/2004	Rager	D22/107
D489,427	S	*	5/2004	Rager	D22/107
D505,477	S	*	5/2005	Rager	D22/107
2002/0042999	A1		4/2002	Lorocco		
2003/0110647	A1		6/2003	Henry		
2003/0110648	A1	*	6/2003	Springer	33/265
2004/0088872	A1		5/2004	Deien		

OTHER PUBLICATIONS

Cabela's Archery 2004 Catalog, pp. 3 and 60-68, 9 pages.

* cited by examiner

Primary Examiner—Ian Simmons

Assistant Examiner—Melanie Levy

(74) *Attorney, Agent, or Firm*—Sheridan Ross P.C.

(57) **CLAIM**

The ornamental design for an archery sighting device as shown and described.

DESCRIPTION

FIG. 1 is a front perspective view of an archery sighting device showing my new design;

FIG. 2 is a rear elevation view of the invention illustrated in FIG. 1.

FIG. 3 is a right elevation view of the invention shown in FIG. 1;

FIG. 4 is a top plan view of the invention illustrated in FIG. 1;

FIG. 5 is a left elevation view of the invention illustrated in FIG. 1;

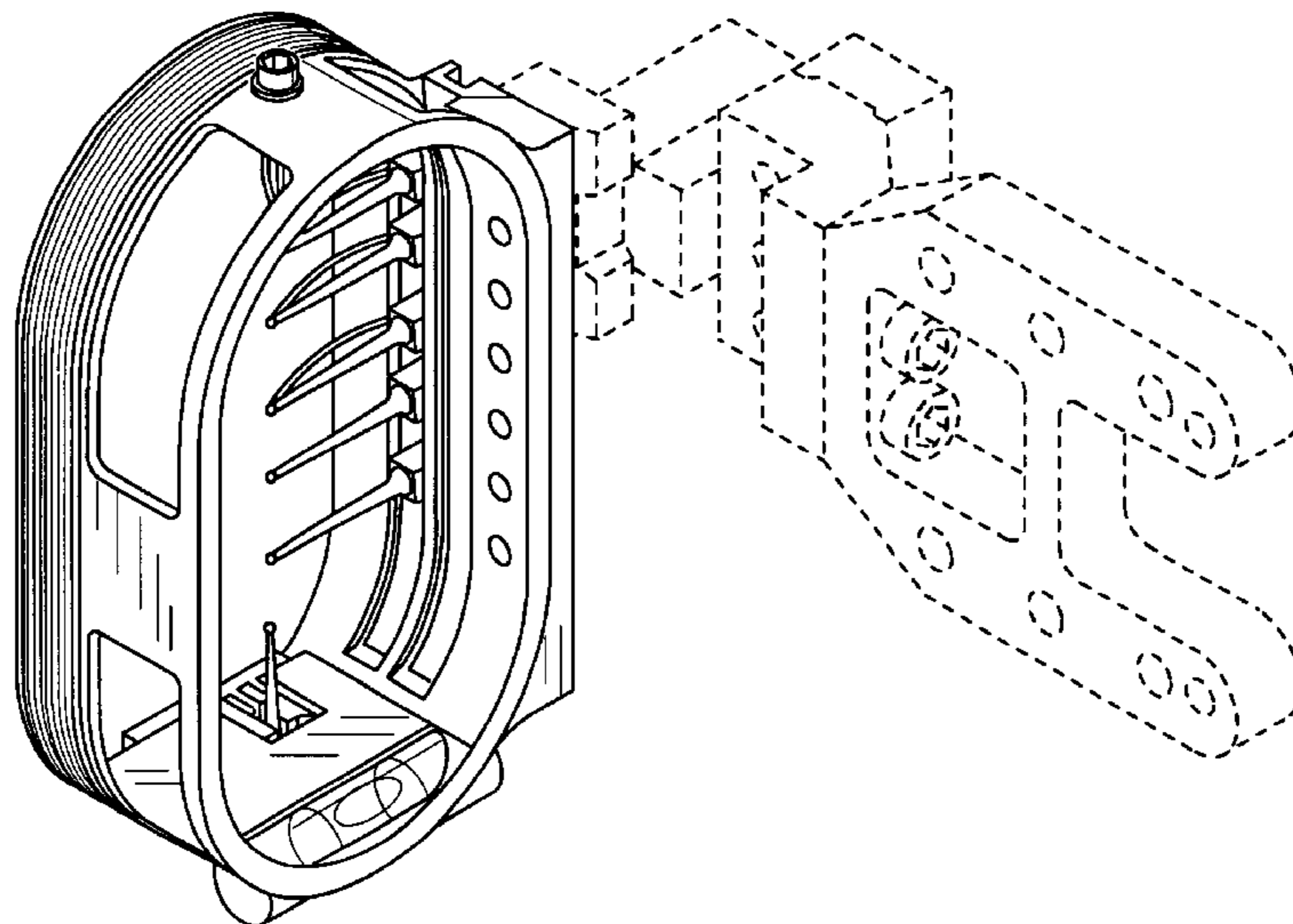
FIG. 6 is a front elevation view of the invention illustrated in FIG. 1;

FIG. 7 is a bottom plan view of the invention illustrated in FIG. 1; and

FIG. 8 is a front perspective view of the invention illustrated in FIG. 1 showing my new design interconnected to a riser of a bow, the broken lines representing environment and forming no part of my claimed design.

The broken lines are for illustrative purposes only and form no part of the claimed design.

1 Claim, 3 Drawing Sheets



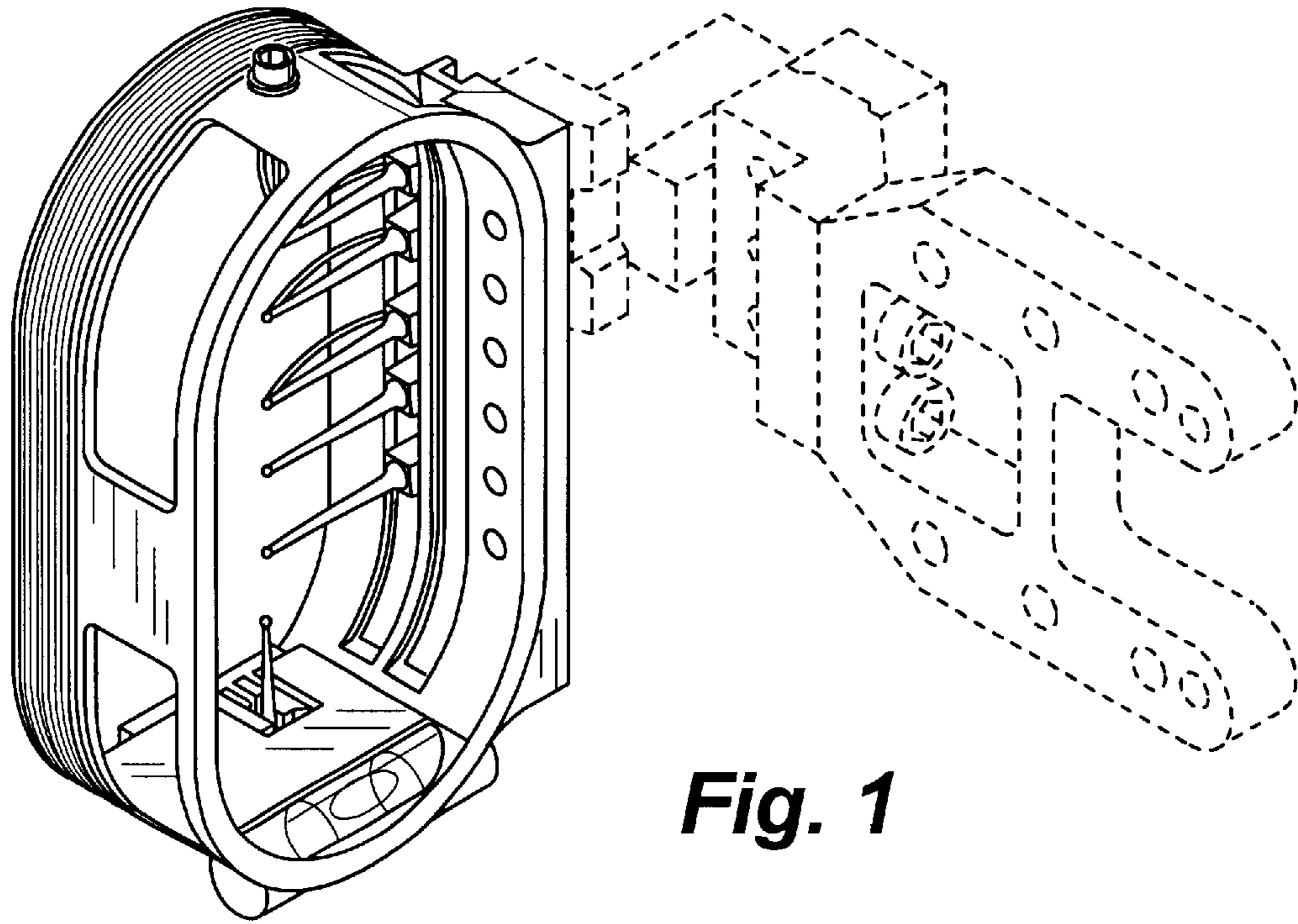


Fig. 1

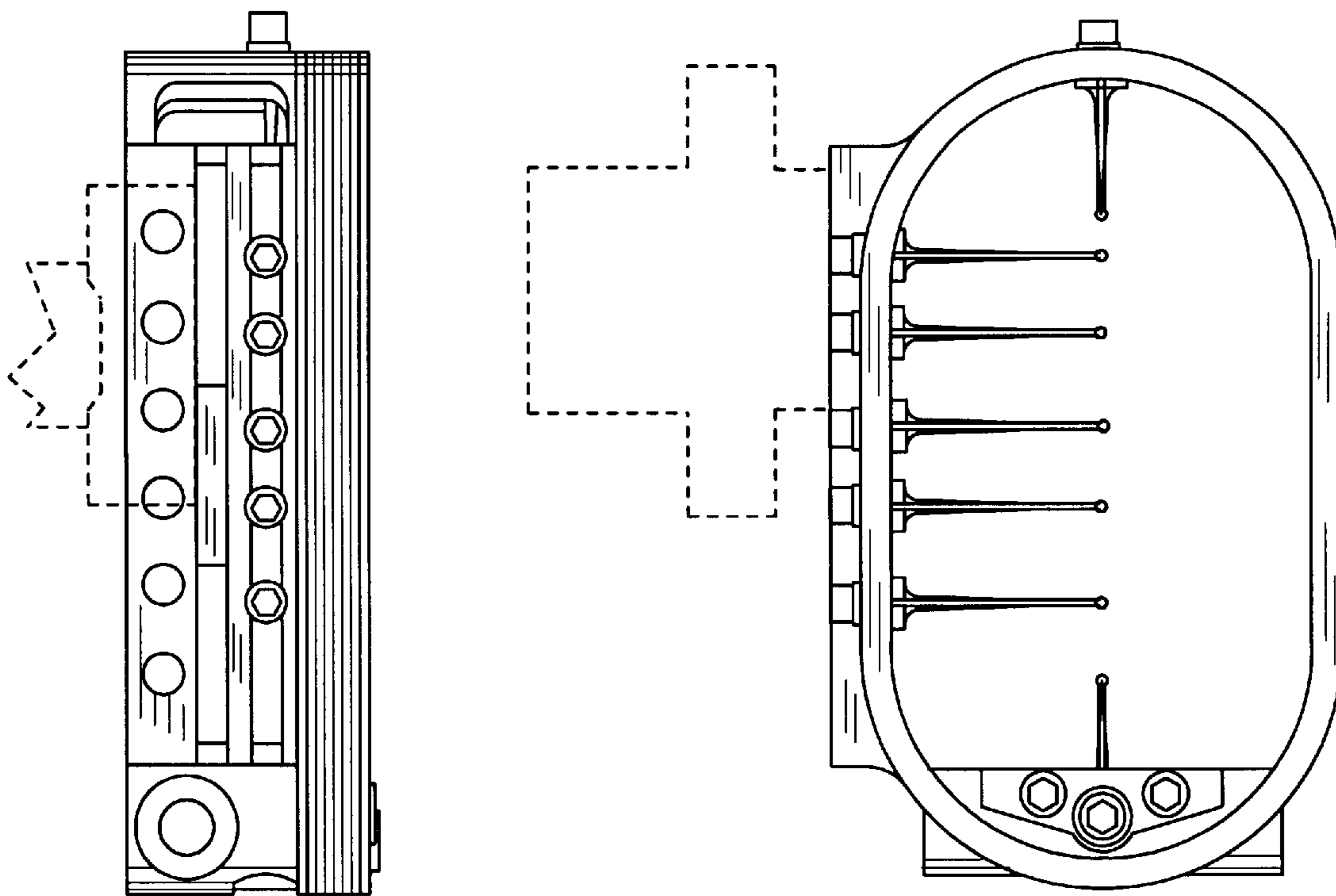
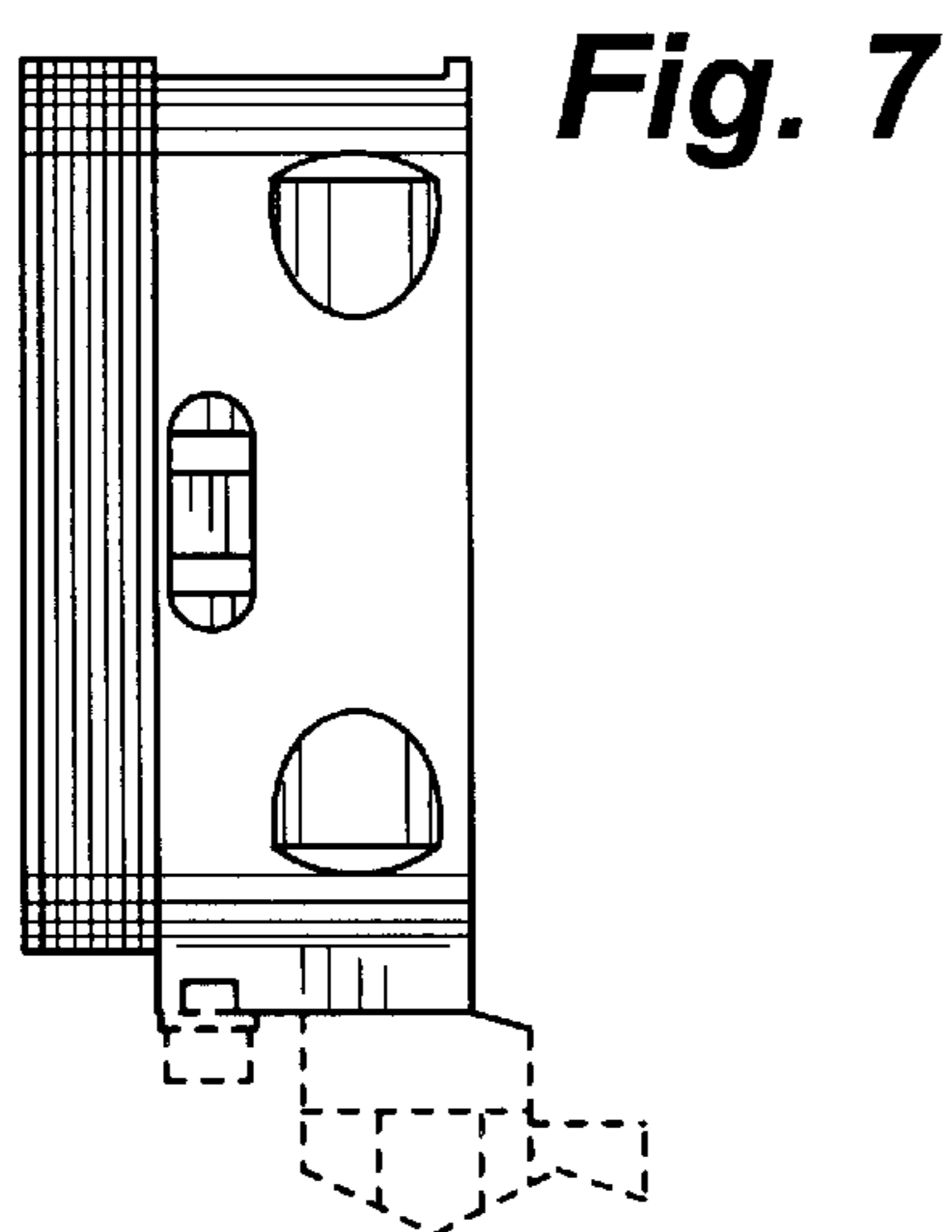
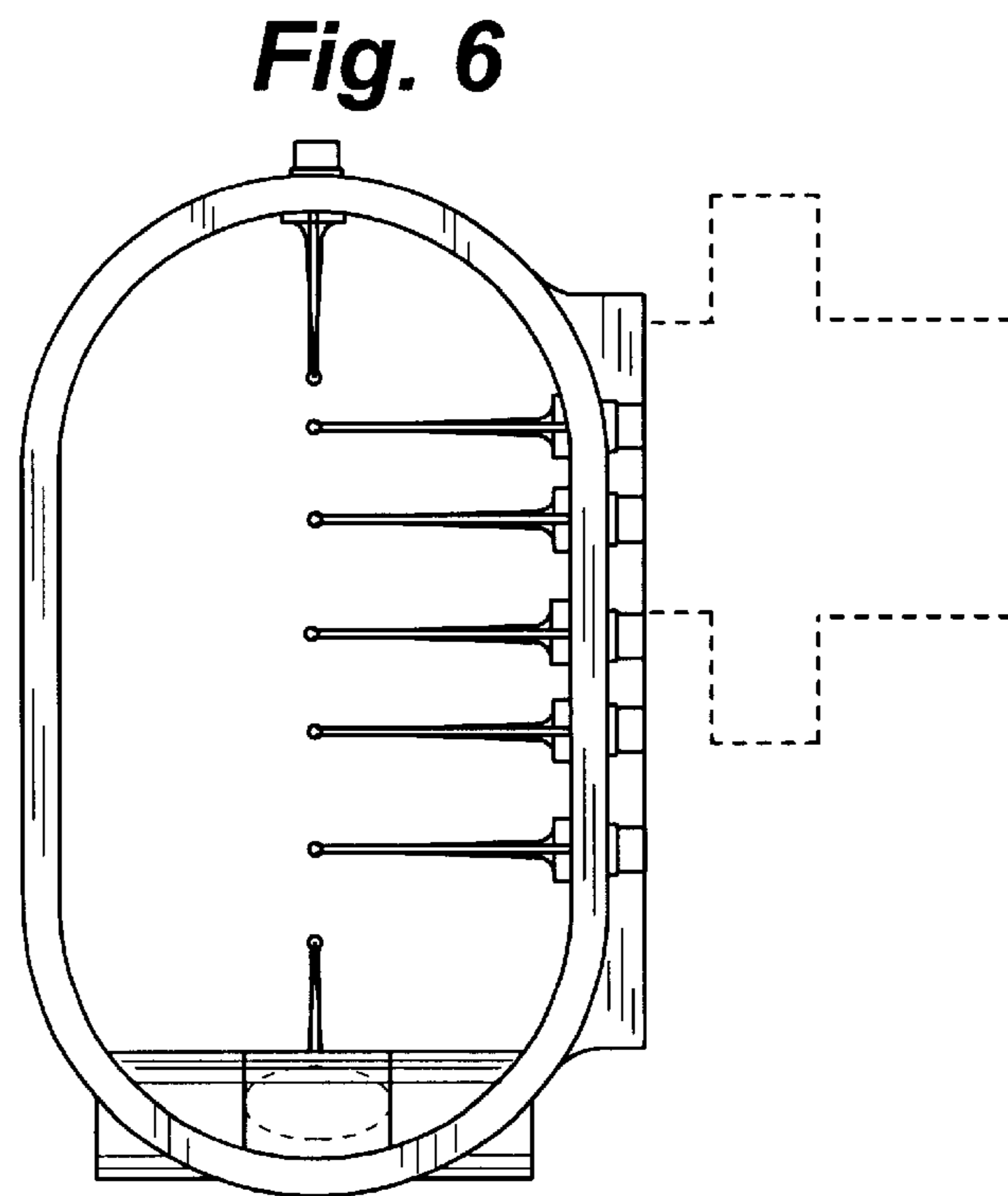
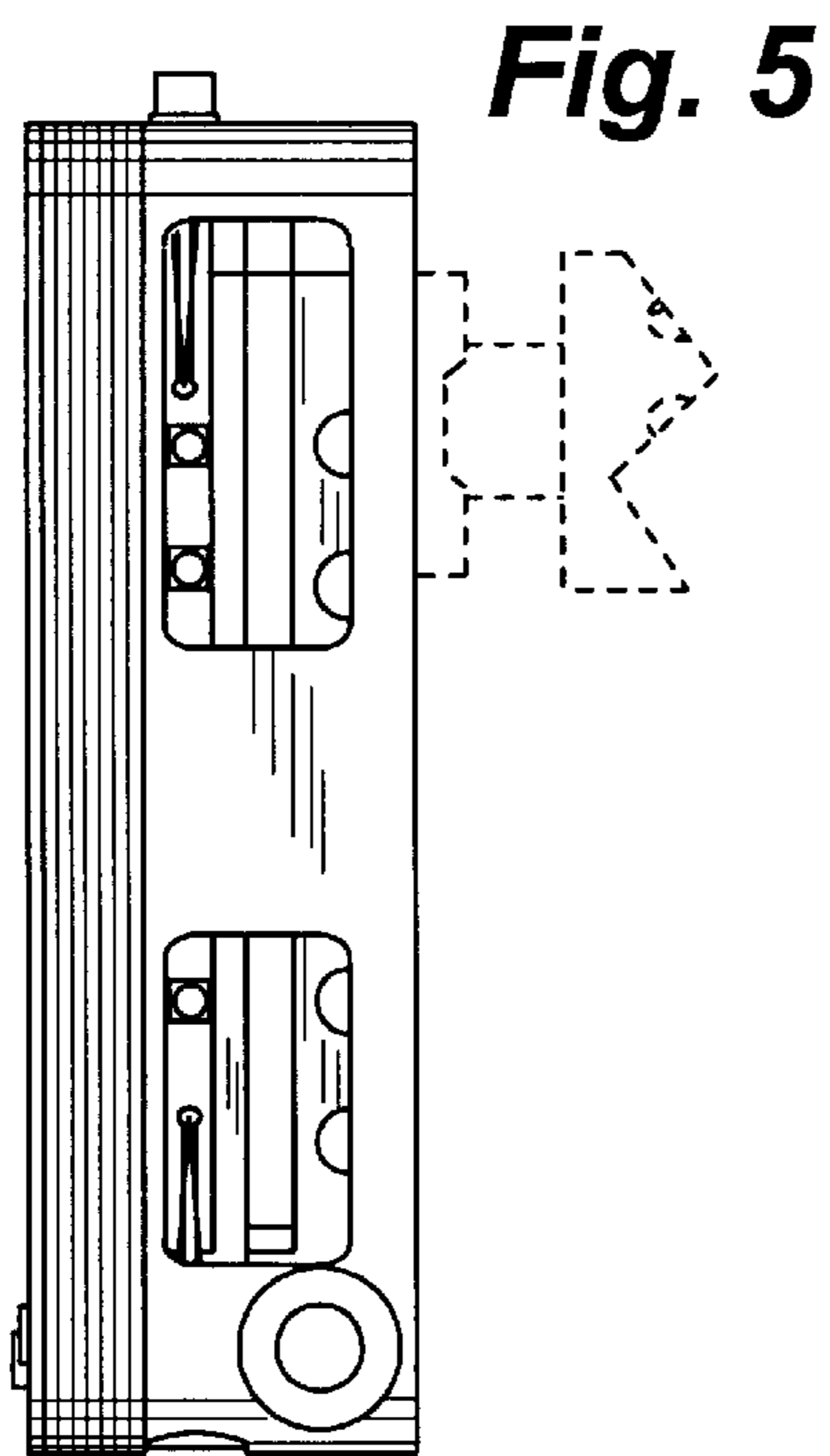
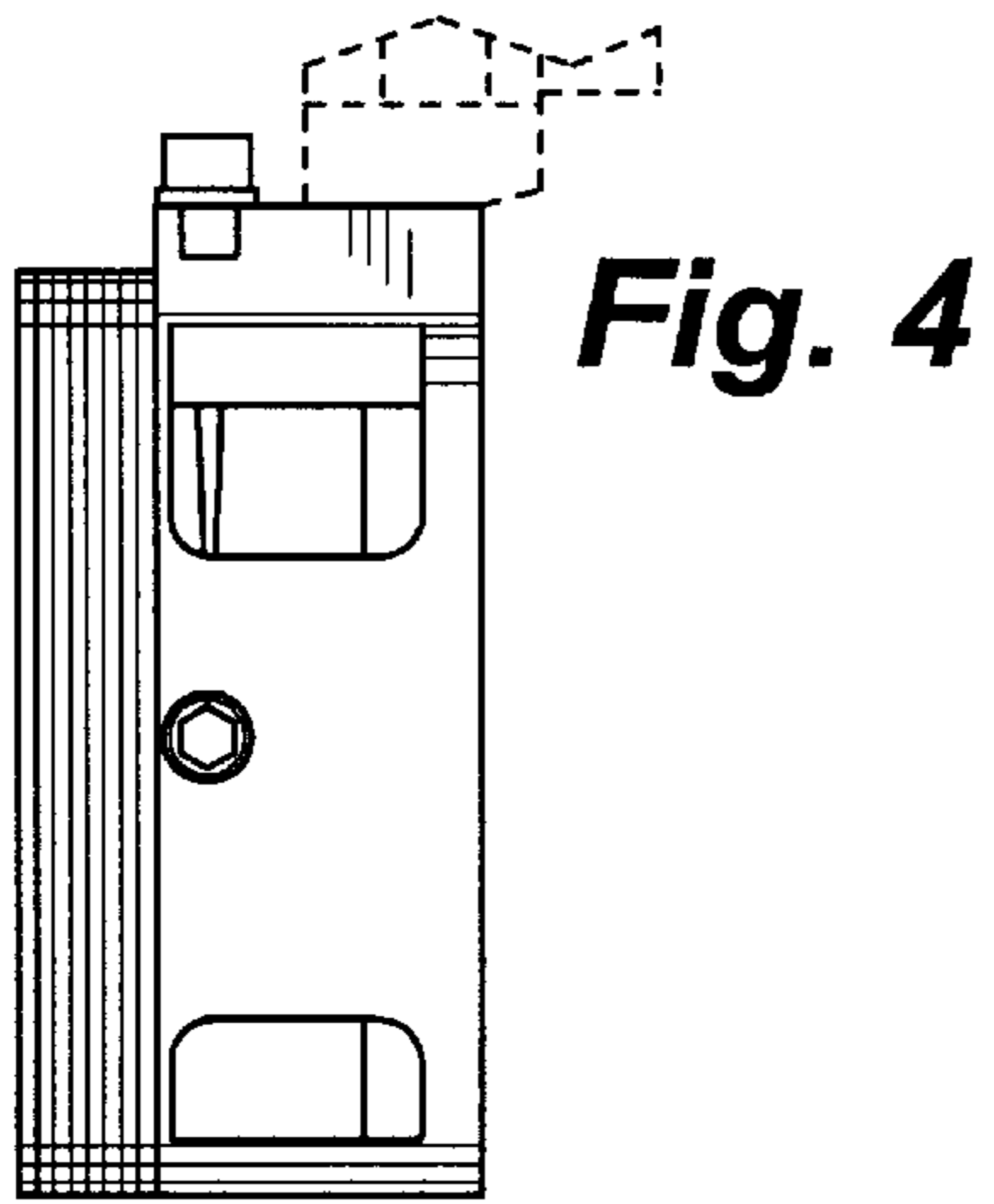


Fig. 3

Fig. 2



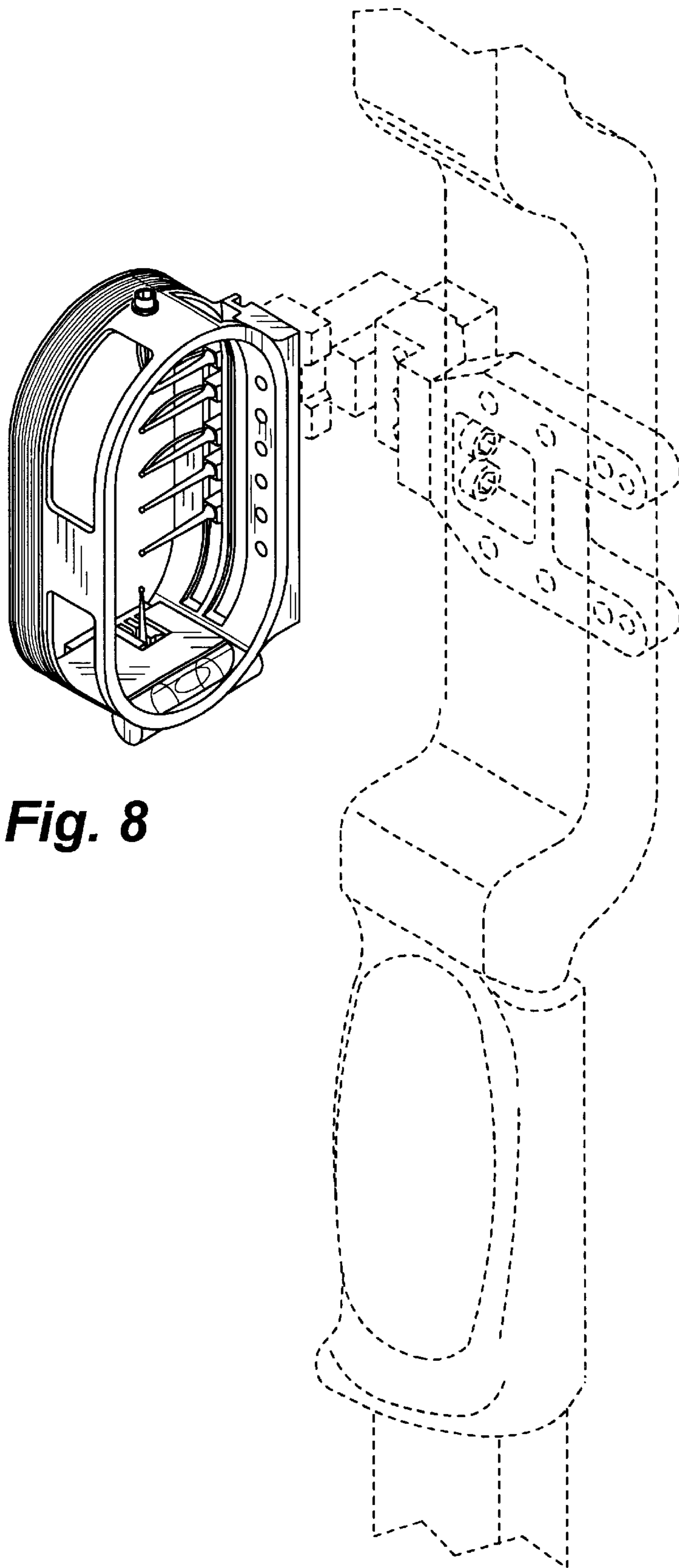


Fig. 8