



US00D530772S

(12) **United States Design Patent**
Peterson

(10) **Patent No.:** **US D530,772 S**

(45) **Date of Patent:** **** Oct. 24, 2006**

(54) **INFLATABLE AQUATIC LOUNGE**

D492,380 S * 6/2004 Zheng D21/809
6,881,114 B1 * 4/2005 Zheng 441/129

(75) Inventor: **Leroy L. Peterson**, Omaha, NE (US)

OTHER PUBLICATIONS

(73) Assignee: **Sportsstuff, Inc.**, Omaha, NE (US)

Overton's Catalog, Spring Edition 1999, p. 197, 'Excalibur SunScreen', located at the top right side of page.*

(**) Term: **14 Years**

Hammacher Schlemmer, Mid-Summer 1995, p. 65, 'Collapsible Sun Shade', located at the top of the page.*

(21) Appl. No.: **29/243,821**

* cited by examiner

(22) Filed: **Nov. 30, 2005**

(51) **LOC (8) Cl.** **21-02**

Primary Examiner—Caron D. Veynar

(52) **U.S. Cl.** **D21/809**; D21/803

Assistant Examiner—Zenja I Bennett

(58) **Field of Classification Search** D21/769-770,
D21/801, 803, 809; D6/392, 596, 601, 604;
472/128-129; D12/5, 6, 316; 114/253, 345-346;
441/35, 66, 40-42, 129-132

(74) *Attorney, Agent, or Firm*—Sturm & Fix LLP

See application file for complete search history.

(57) **CLAIM**

The ornamental design for an inflatable aquatic lounge, as shown and described.

(56) **References Cited**

DESCRIPTION

U.S. PATENT DOCUMENTS

FIG. 1 is a perspective view of the inflatable aquatic lounge showing my new design;

- 1,746,833 A * 2/1930 Hermansen 441/114
- 4,799,910 A * 1/1989 Kellough 411/131
- 5,403,220 A * 4/1995 Goad, Sr. 441/130
- D362,706 S * 9/1995 Wamsley D21/803
- 5,769,022 A * 6/1998 Luxford 114/361
- D430,845 S * 9/2000 Elsholz D12/316
- D466,176 S * 11/2002 Peterson D21/803
- 6,595,861 B1 * 7/2003 Morrow et al. 472/134

FIG. 2 is a right side elevational view thereof, the left side elevational view being a mirror image thereof;

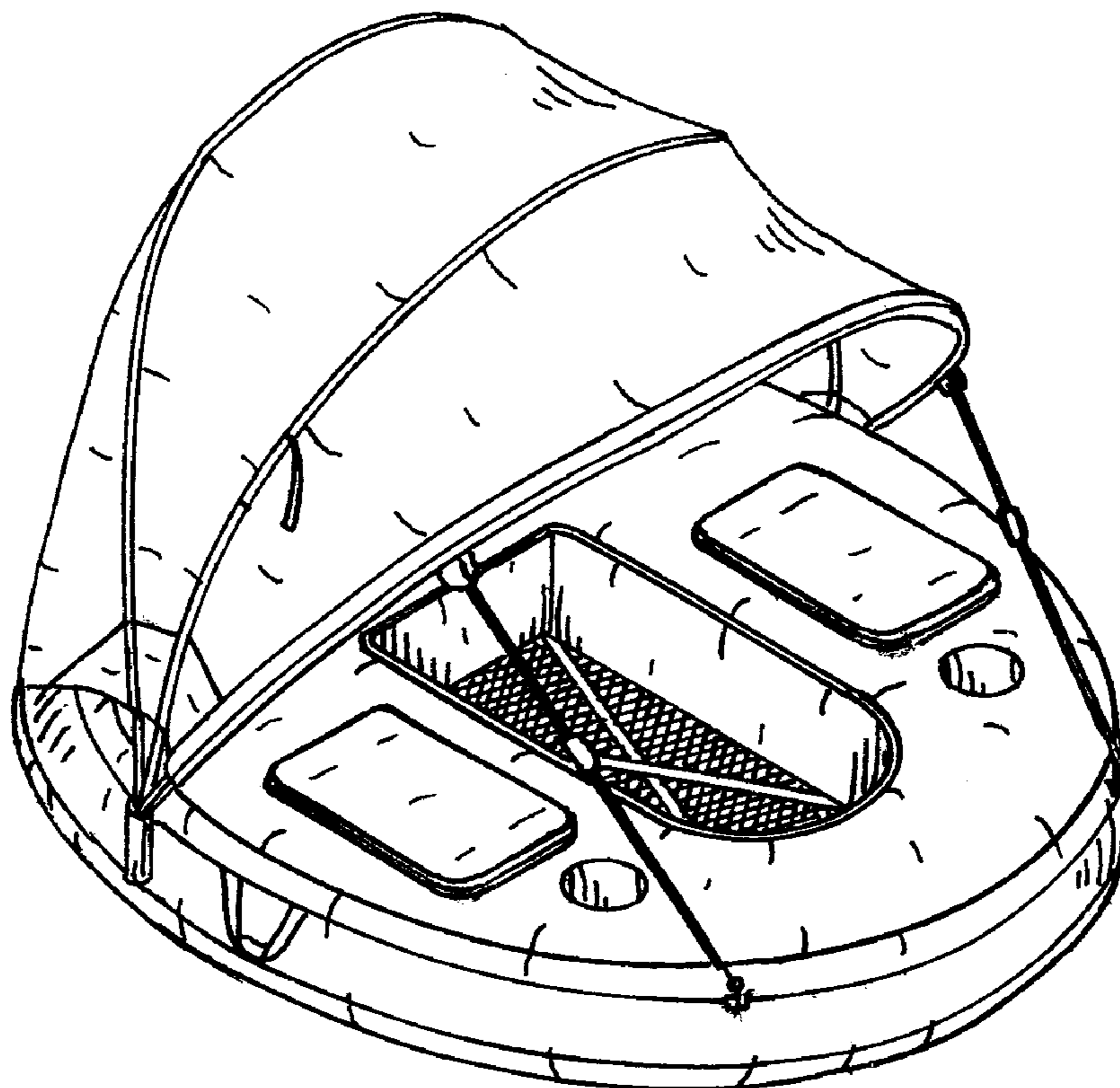
FIG. 3 is a top plan view thereof;

FIG. 4 is a bottom plan view thereof;

FIG. 5 is a front elevational view thereof; and,

FIG. 6 is a rear elevational view thereof.

1 Claim, 3 Drawing Sheets



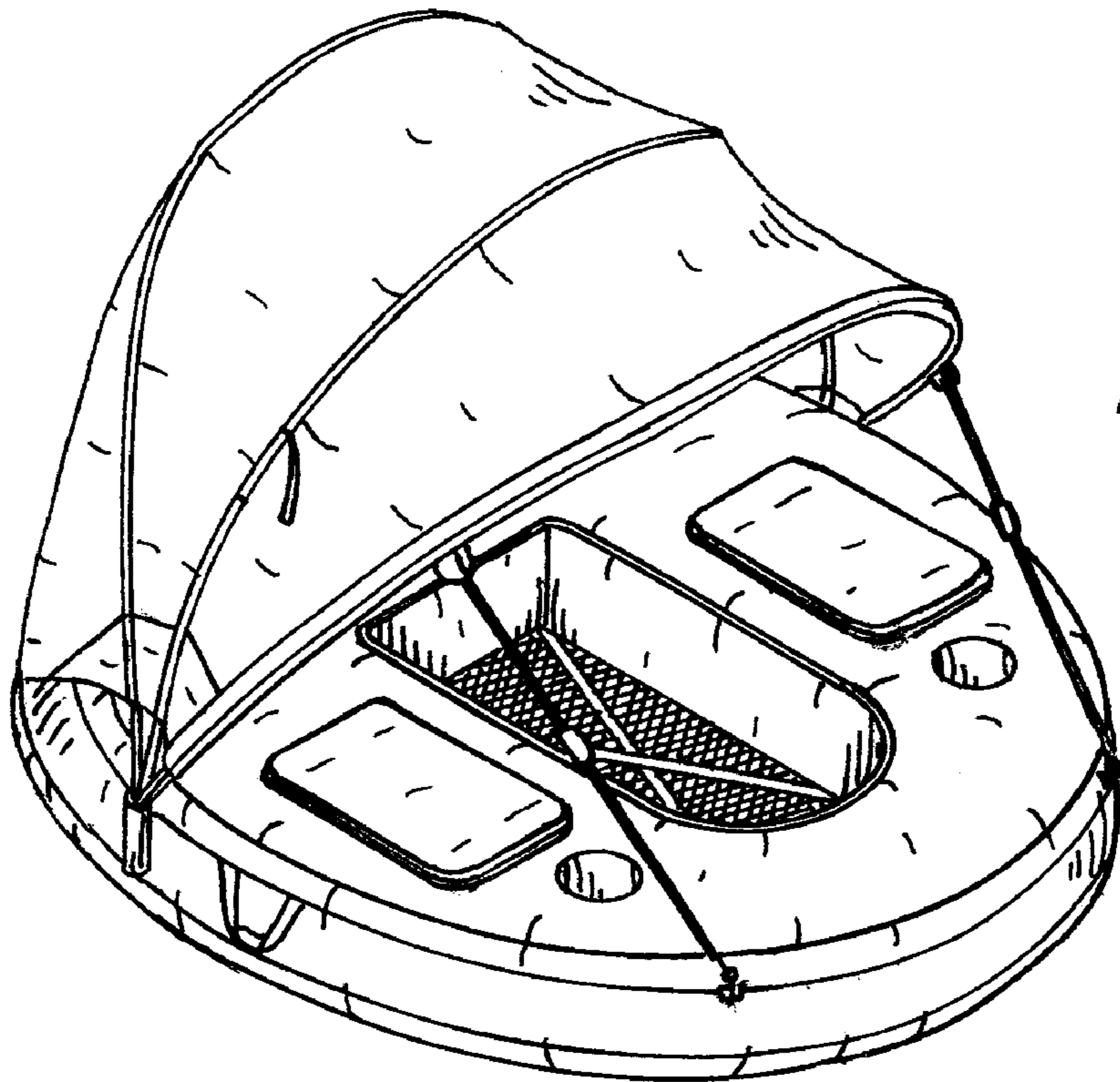


Fig. 1

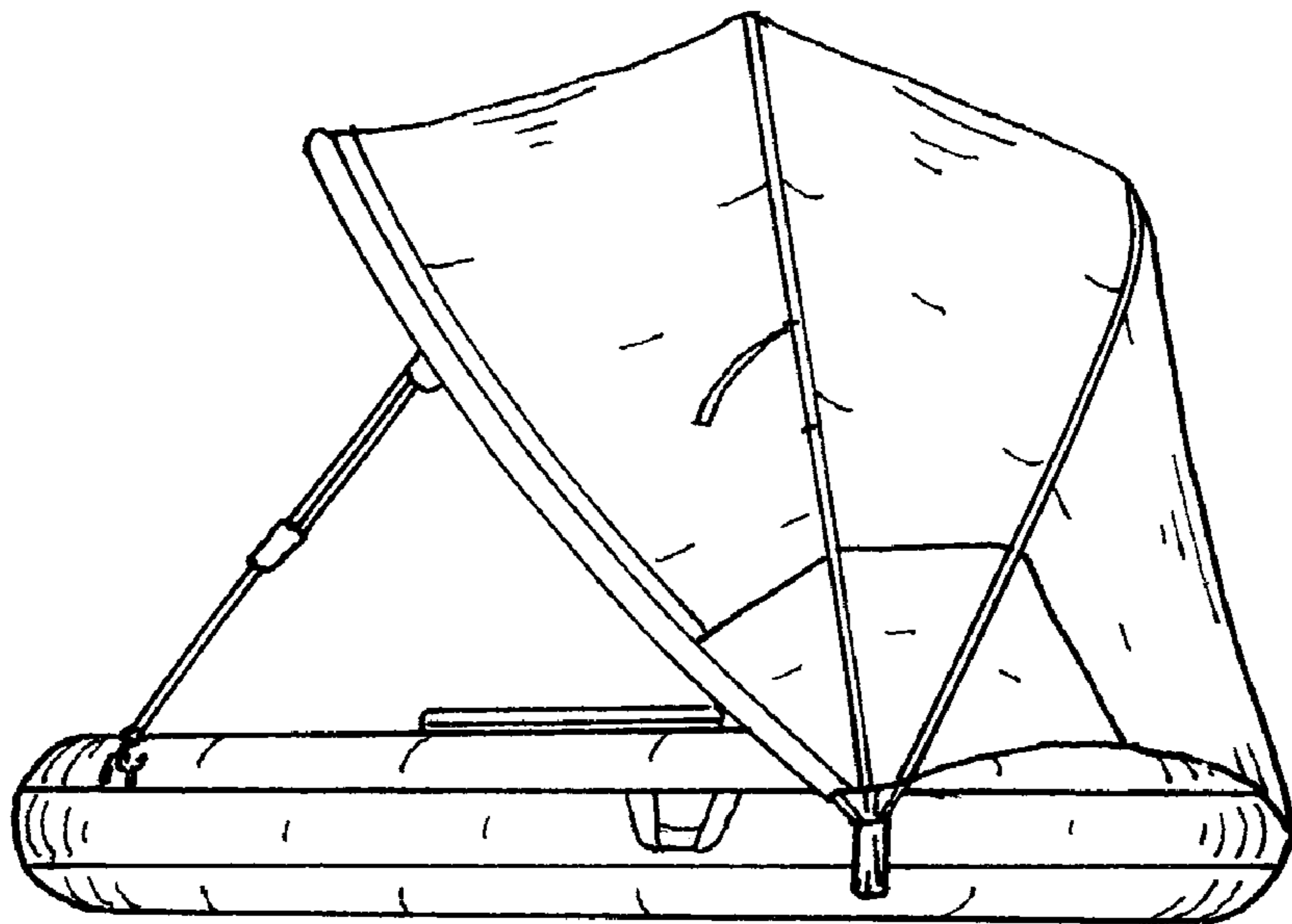


Fig. 2

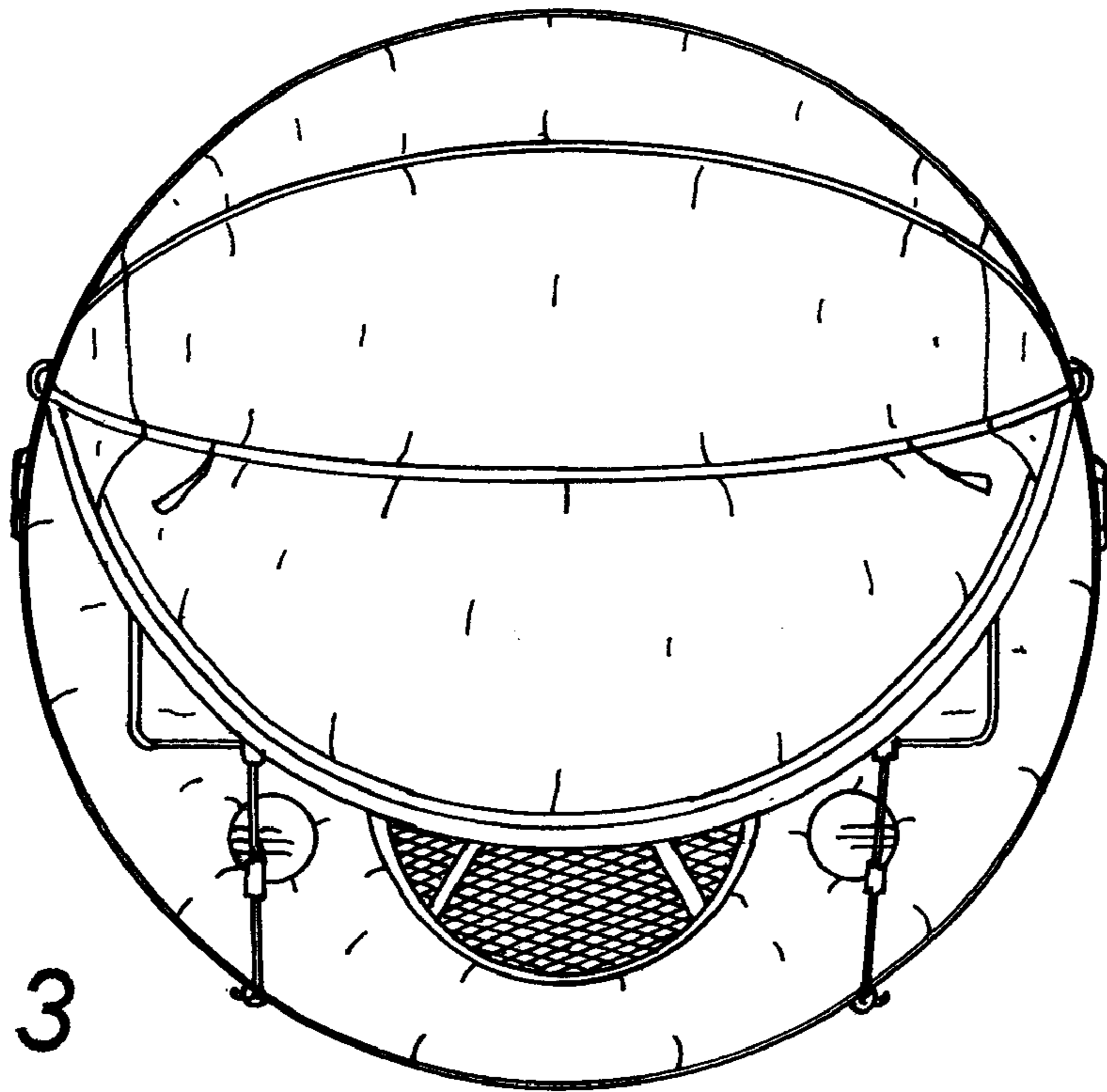


Fig. 3

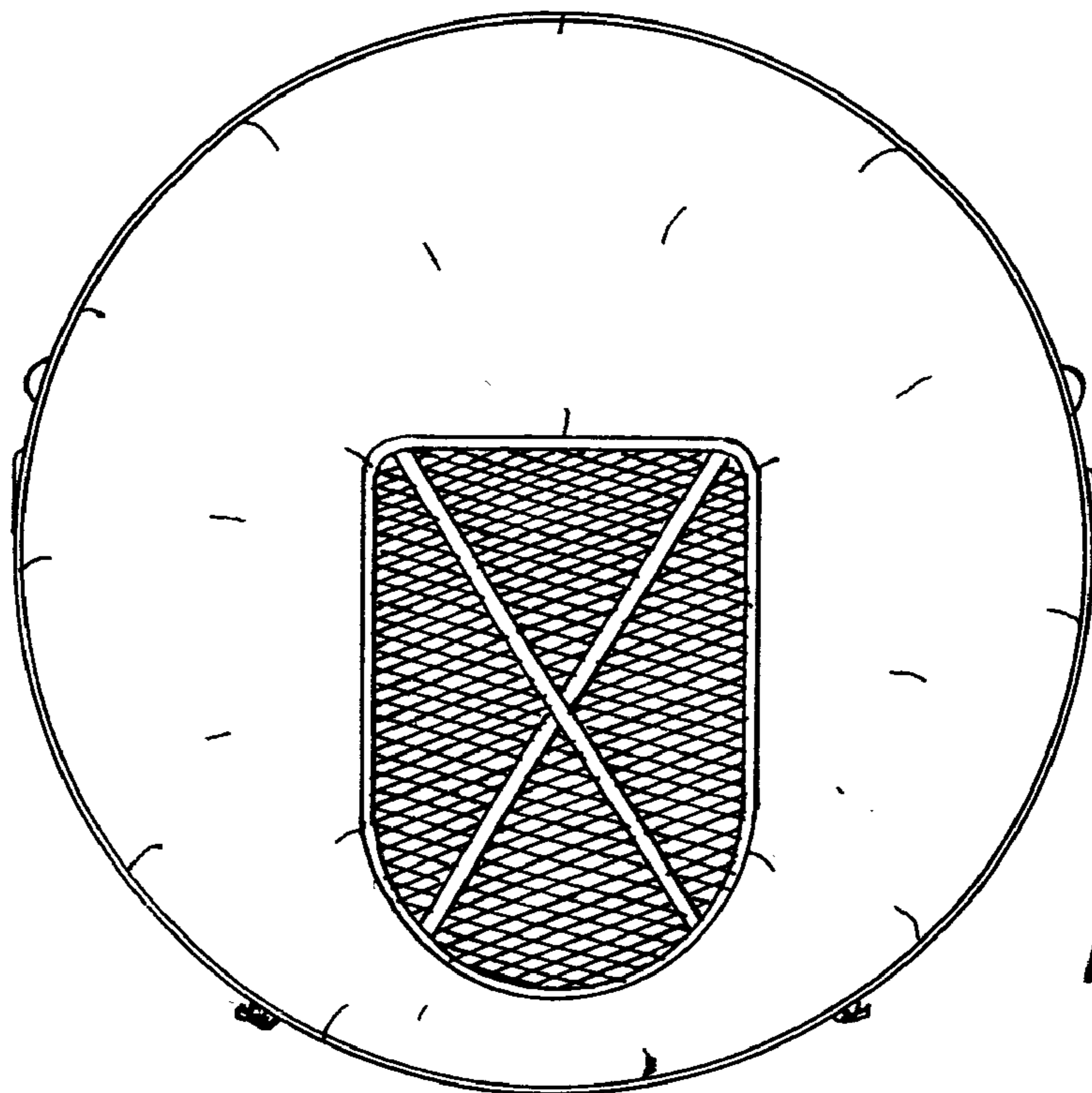


Fig. 4

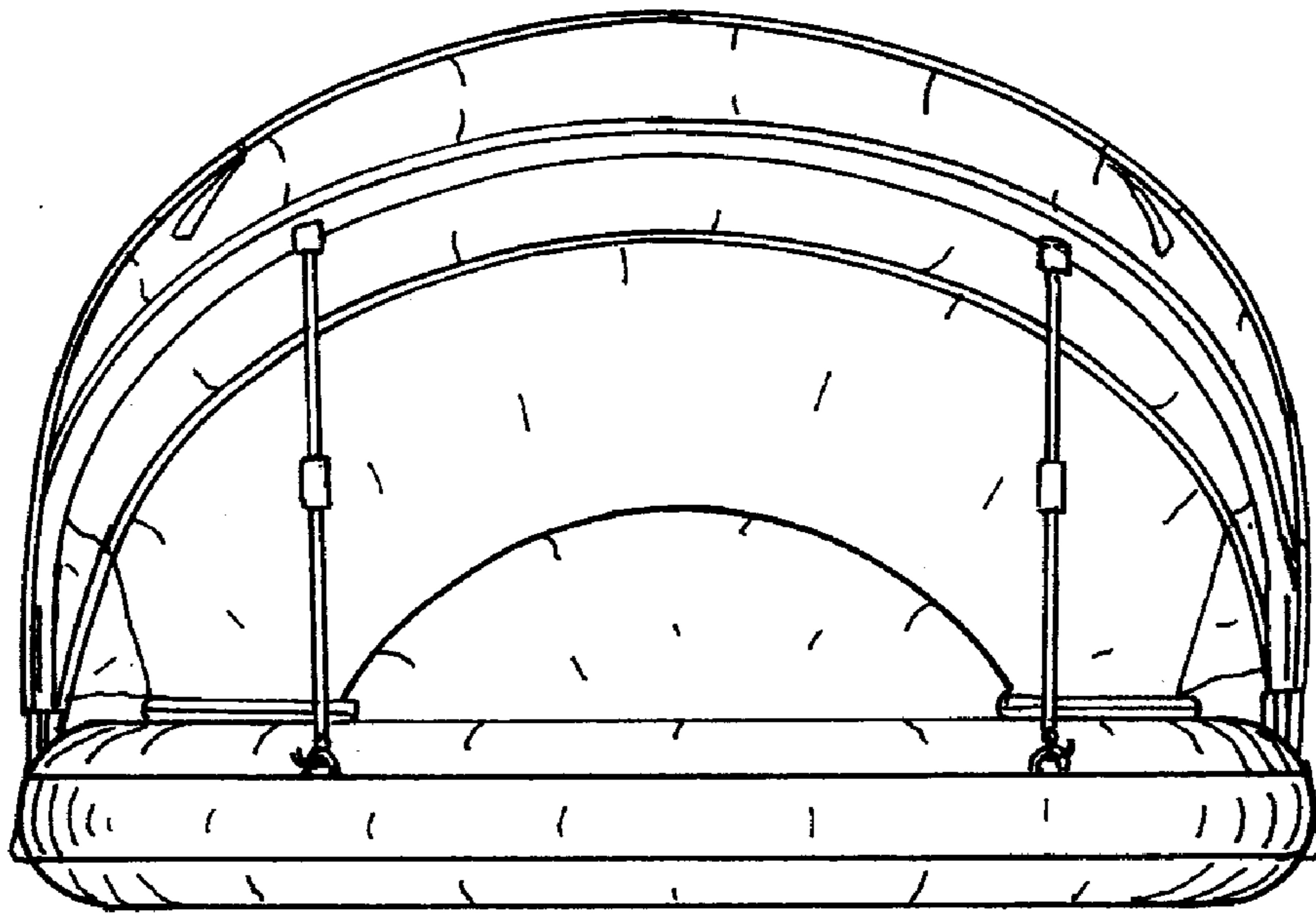


Fig. 5

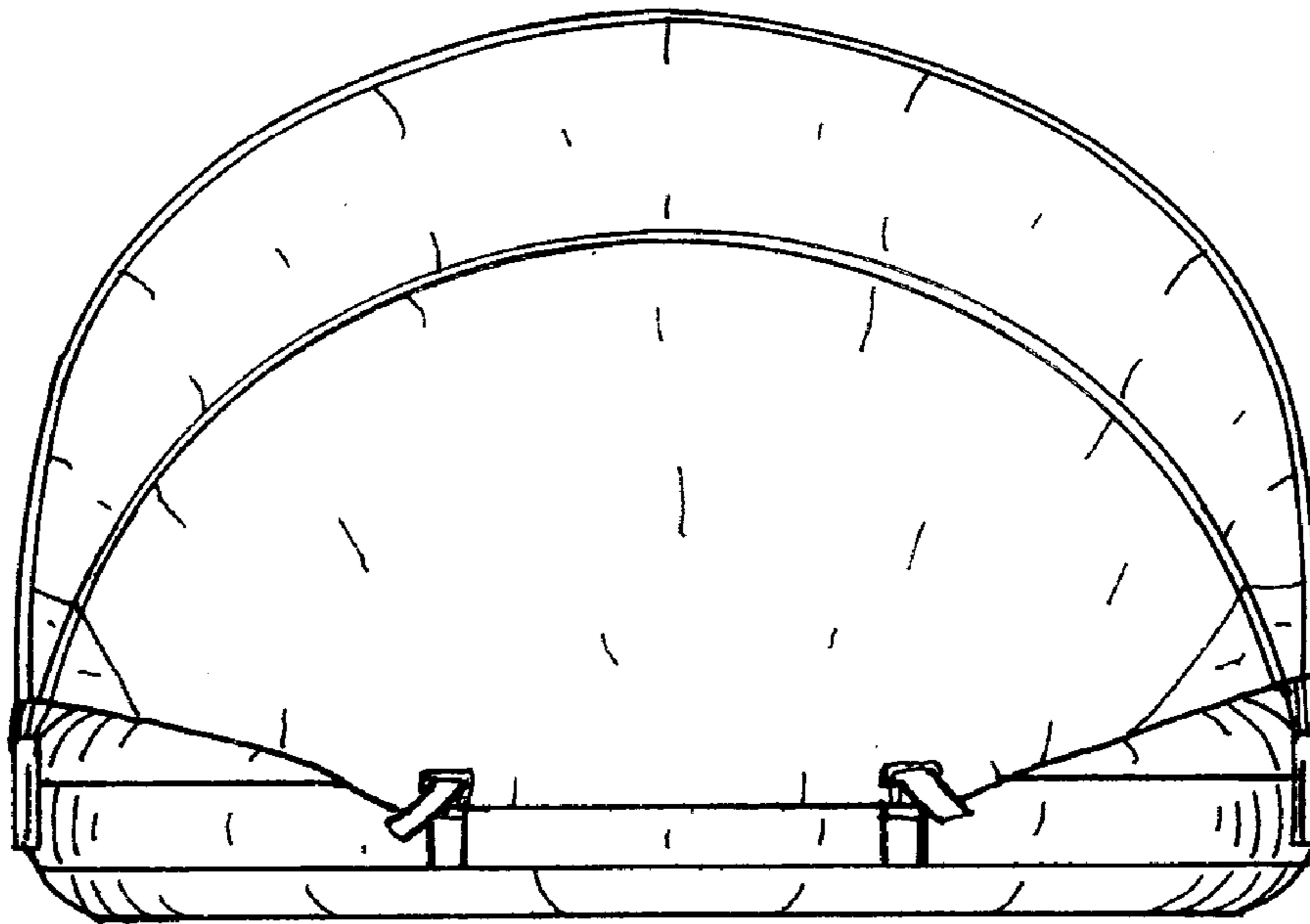


Fig. 6