



US00D530769S

(12) **United States Design Patent** (10) **Patent No.:** **US D530,769 S**  
**Blau** (45) **Date of Patent:** **\*\* Oct. 24, 2006**

(54) **GOLF BALL AND GOLF TEE HOLDER**

(75) Inventor: **Eddie E. Blau**, Calabasas, CA (US)

(73) Assignee: **Innovation Specialties, Inc.**, Culver City, CA (US)

(\*\*) Term: **14 Years**

(21) Appl. No.: **29/237,316**

(22) Filed: **Aug. 29, 2005**

(51) **LOC (8) Cl.** ..... **21-02**

(52) **U.S. Cl.** ..... **D21/796**

(58) **Field of Classification Search** ..... D21/789,  
D21/796; 473/282; 206/315.9, 315.1; D3/221,  
D3/224, 254; 224/250, 251, 666, 670, 918  
See application file for complete search history.

(56) **References Cited**

**U.S. PATENT DOCUMENTS**

D349,550 S	*	8/1994	Reeves	.....	D3/224
D405,860 S	*	2/1999	Hargrove	.....	D21/796
D411,603 S	*	6/1999	Duran	.....	D21/796
D414,538 S	*	9/1999	Harrison	.....	D21/796
6,168,061 B1	*	1/2001	Harrison	.....	D21/796 X
D514,647 S	*	2/2006	Mora et al.	.....	D21/796

\* cited by examiner

*Primary Examiner*—Mitchell Siegel

(74) *Attorney, Agent, or Firm*—Thomas I. Rozsa

(57) **CLAIM**

The ornamental design for a golf ball and golf tee holder, as shown and described.

**DESCRIPTION**

FIG. 1 is a perspective view of the golf ball and golf tee holder when viewed from the right side, showing my new design;

FIG. 2 is a front elevational view;

FIG. 3 is rear elevational view;

FIG. 4 is a side elevational view when viewed from the right side;

FIG. 5 is a side elevational view when viewed from the left side;

FIG. 6 is a top plan view;

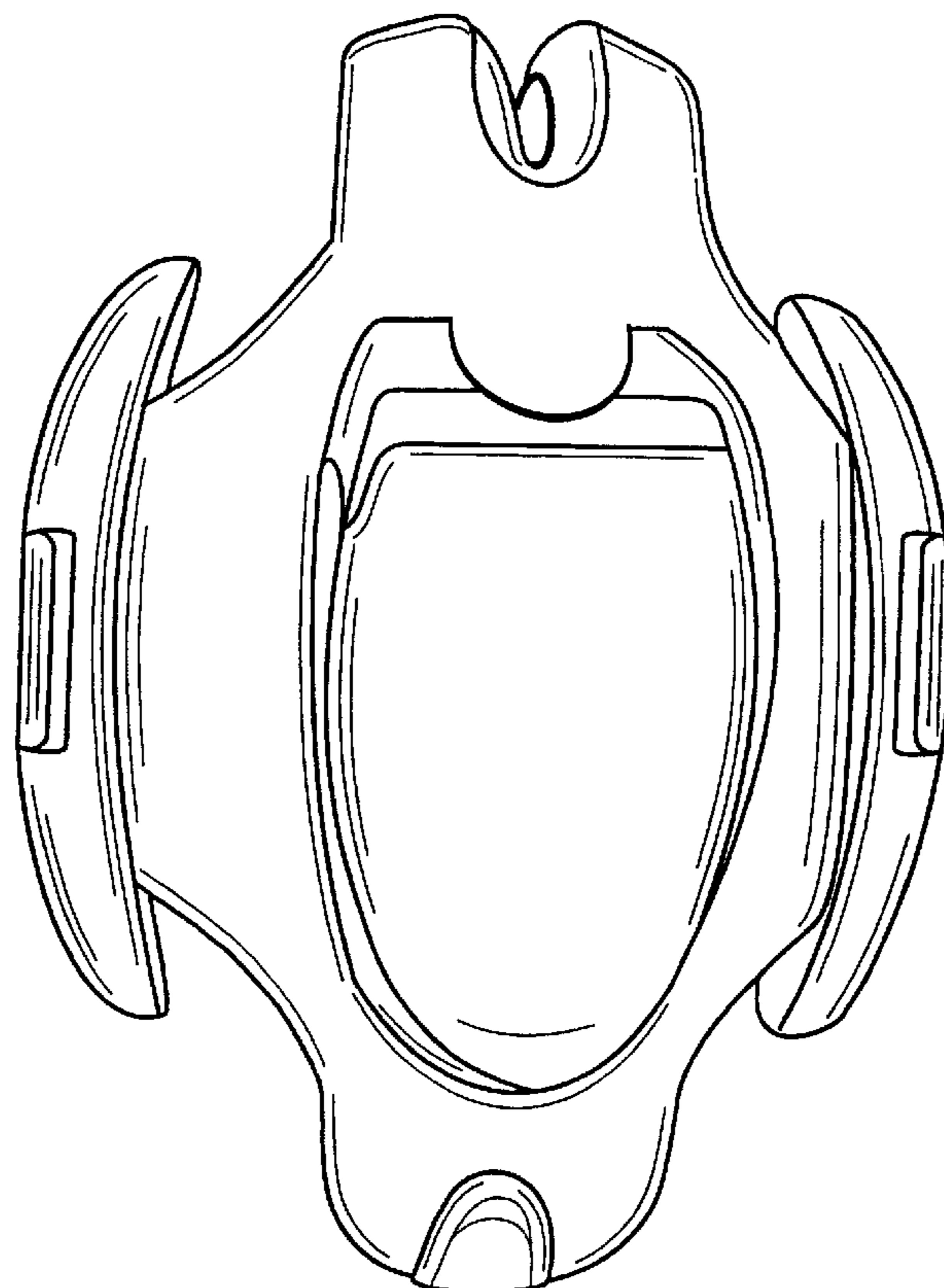
FIG. 7 is a bottom plan view;

FIG. 8 is a perspective view illustrating two golf balls and one tee retained by the device; and,

FIG. 9 is a front elevational view illustrating two golf balls and two tees retained by the device.

The broken line showing is for illustrative purposes only and forms no part of the claimed design.

**1 Claim, 9 Drawing Sheets**



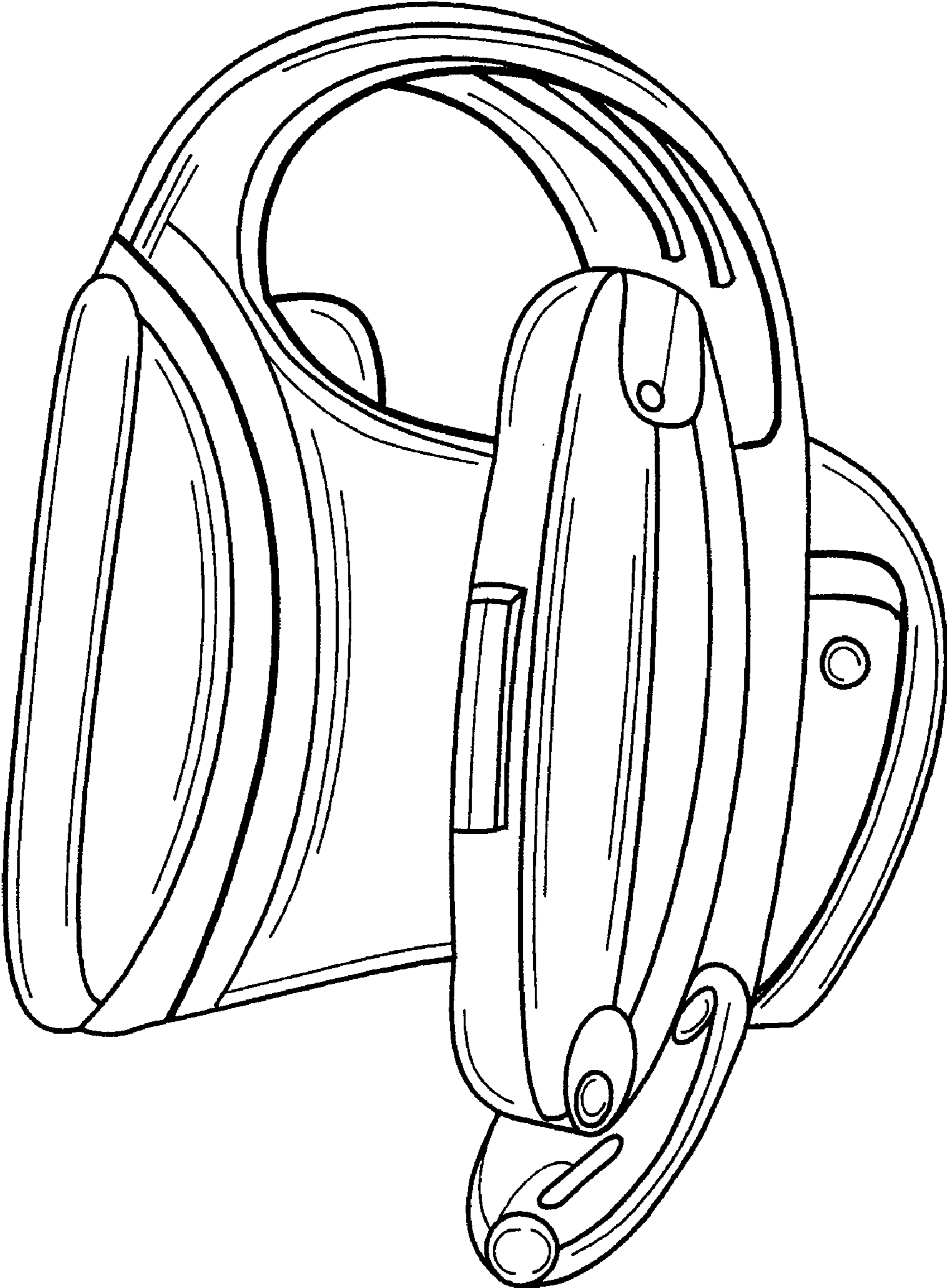


Figure 1

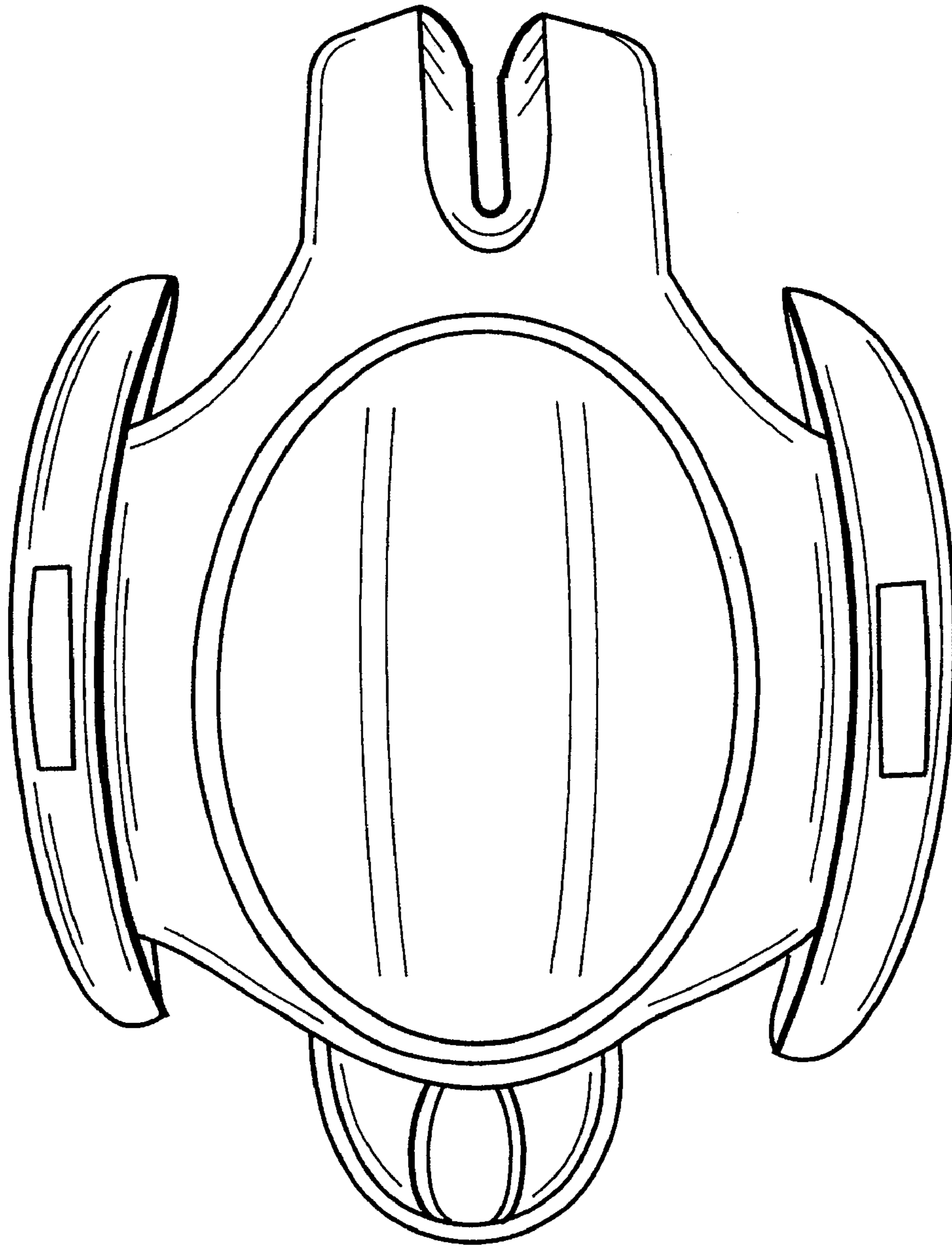


Figure 2

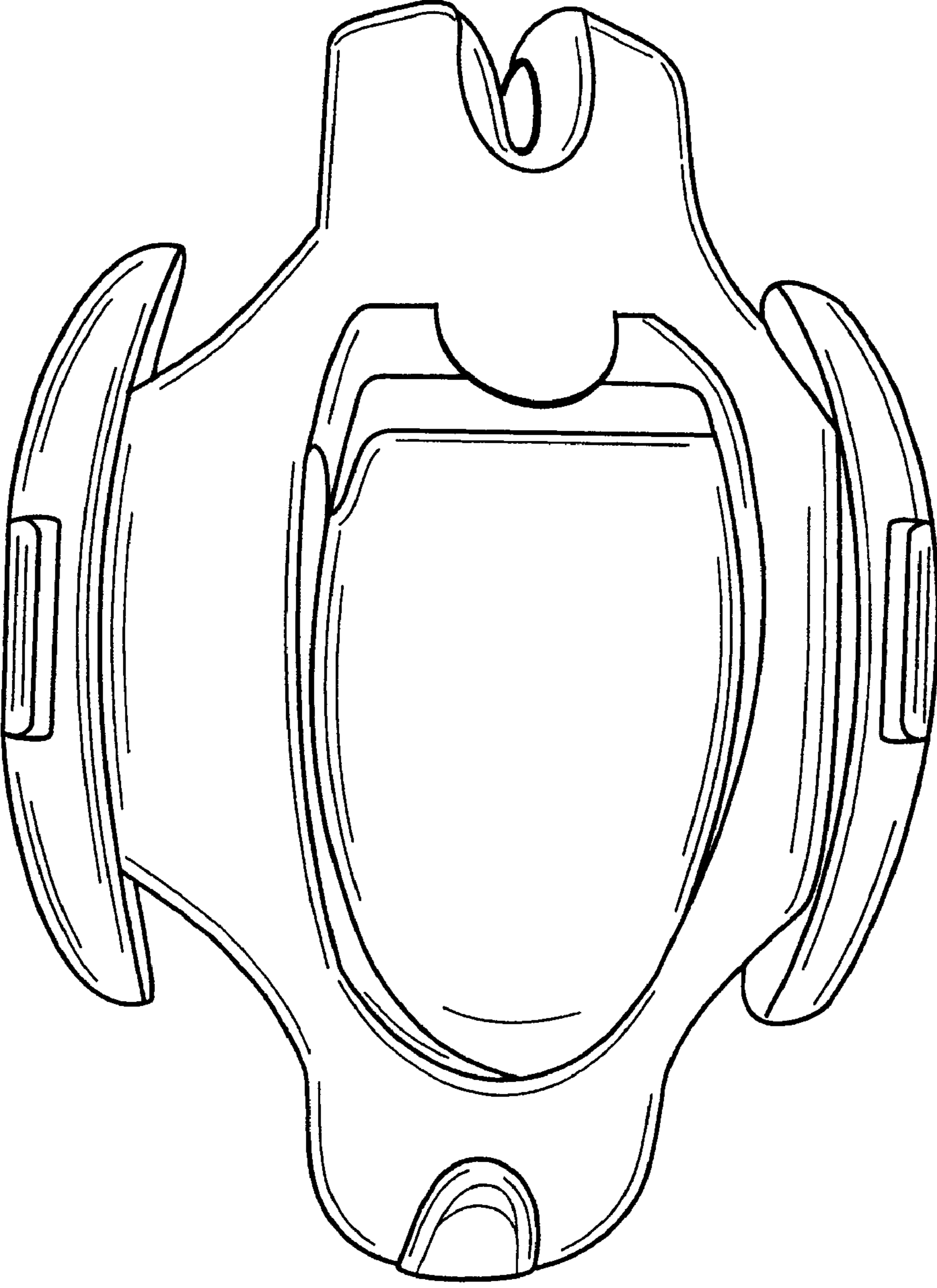


Figure 3

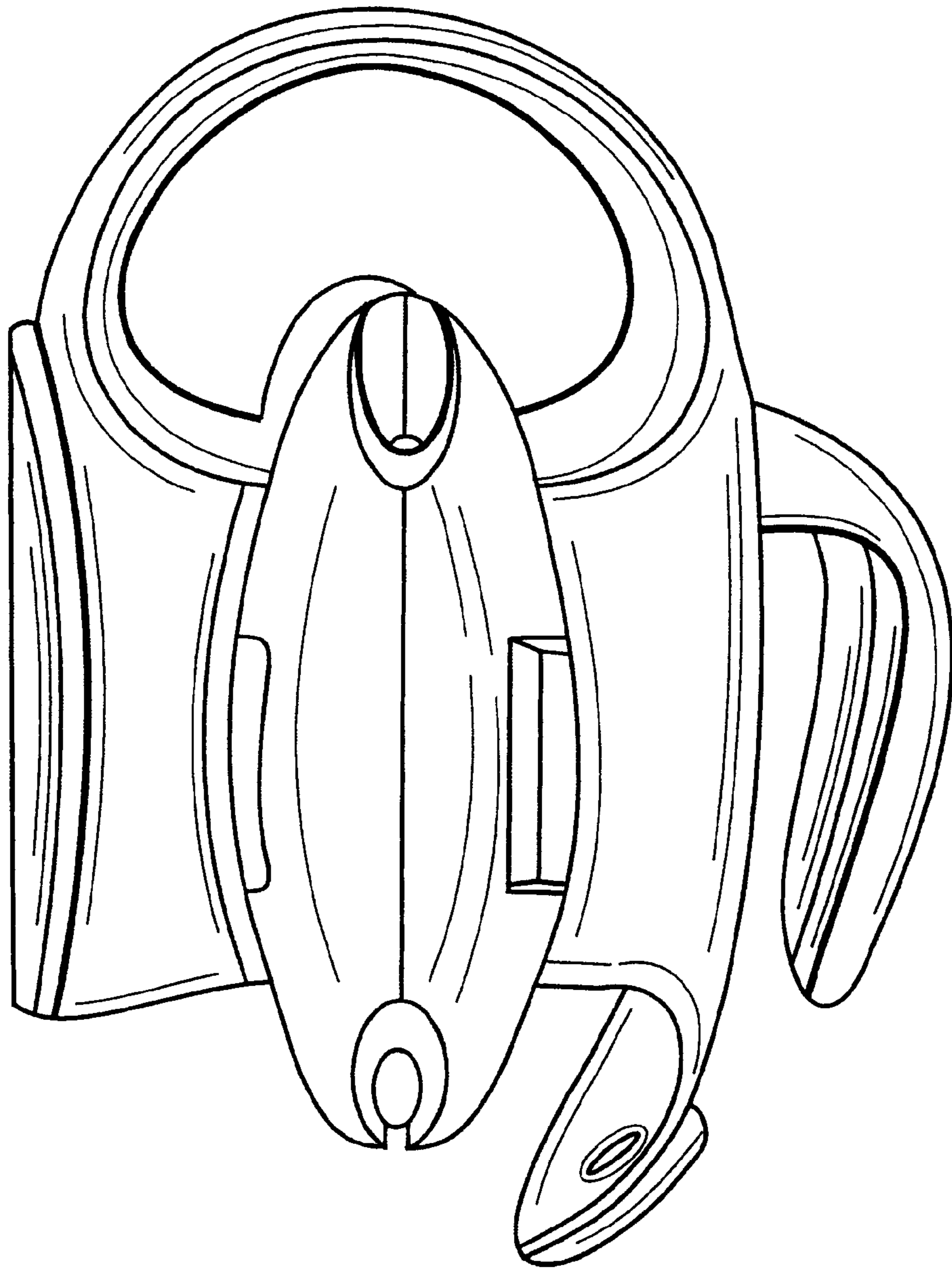


Figure 4



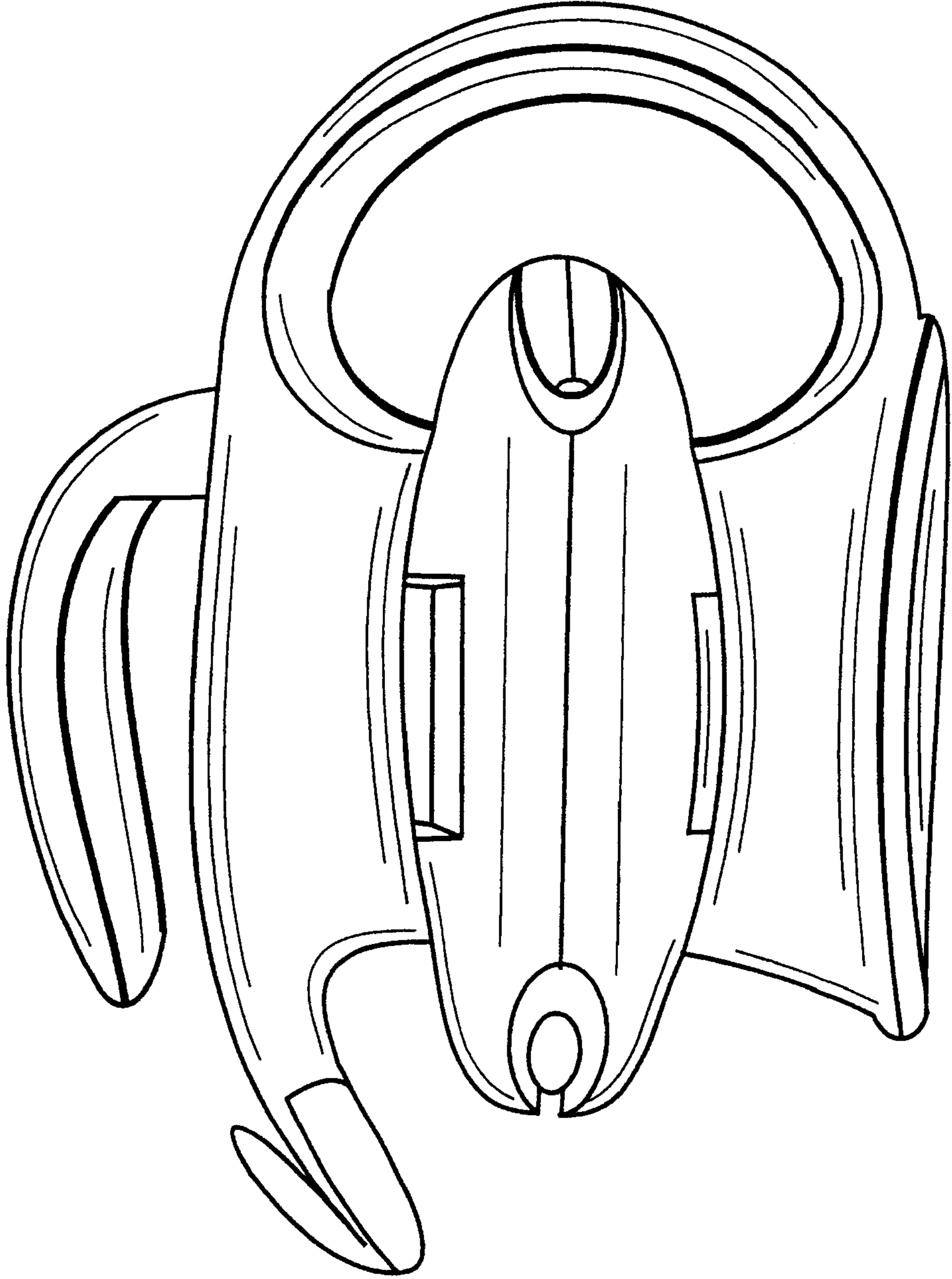


Figure 5

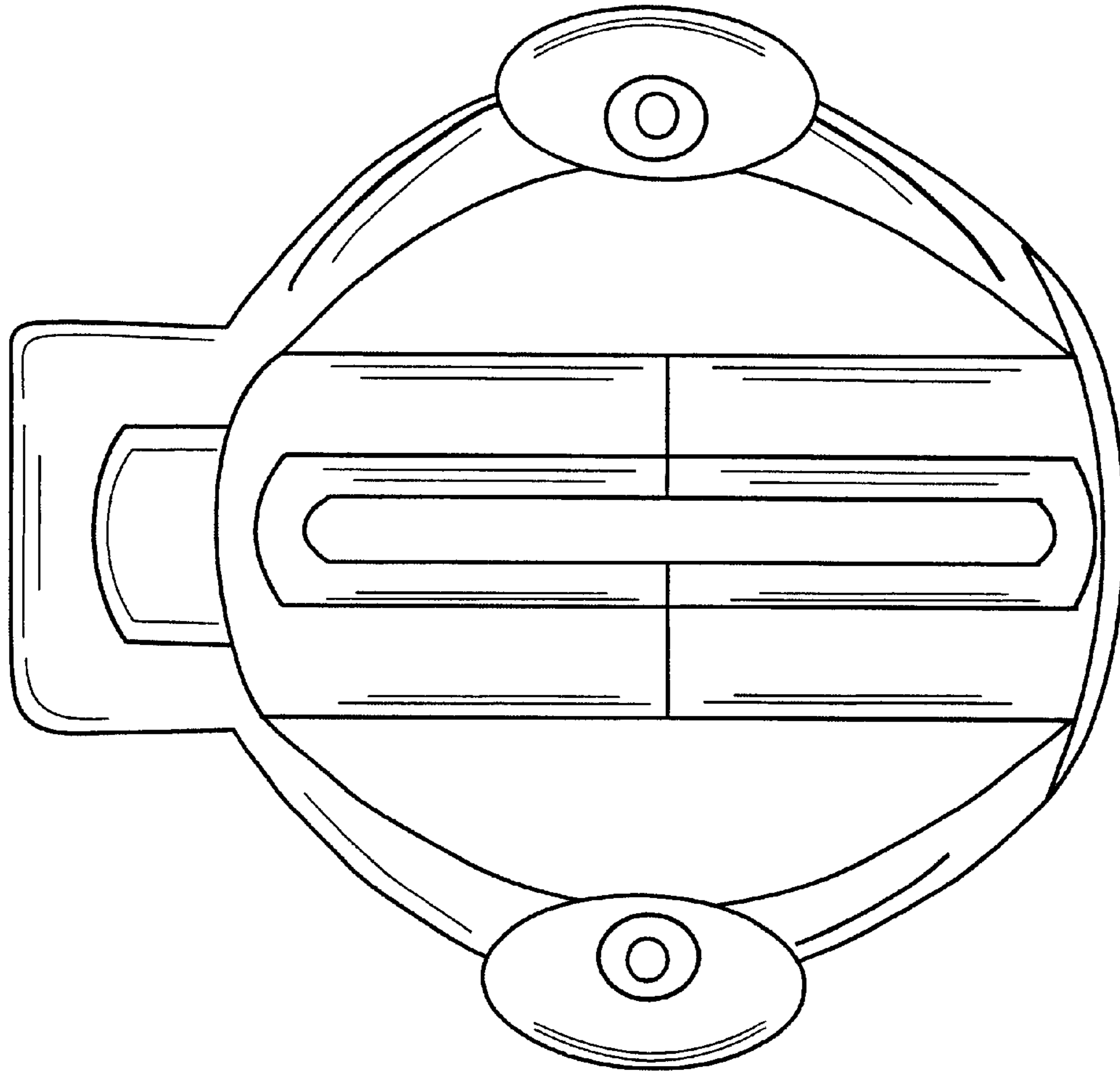


Figure 6

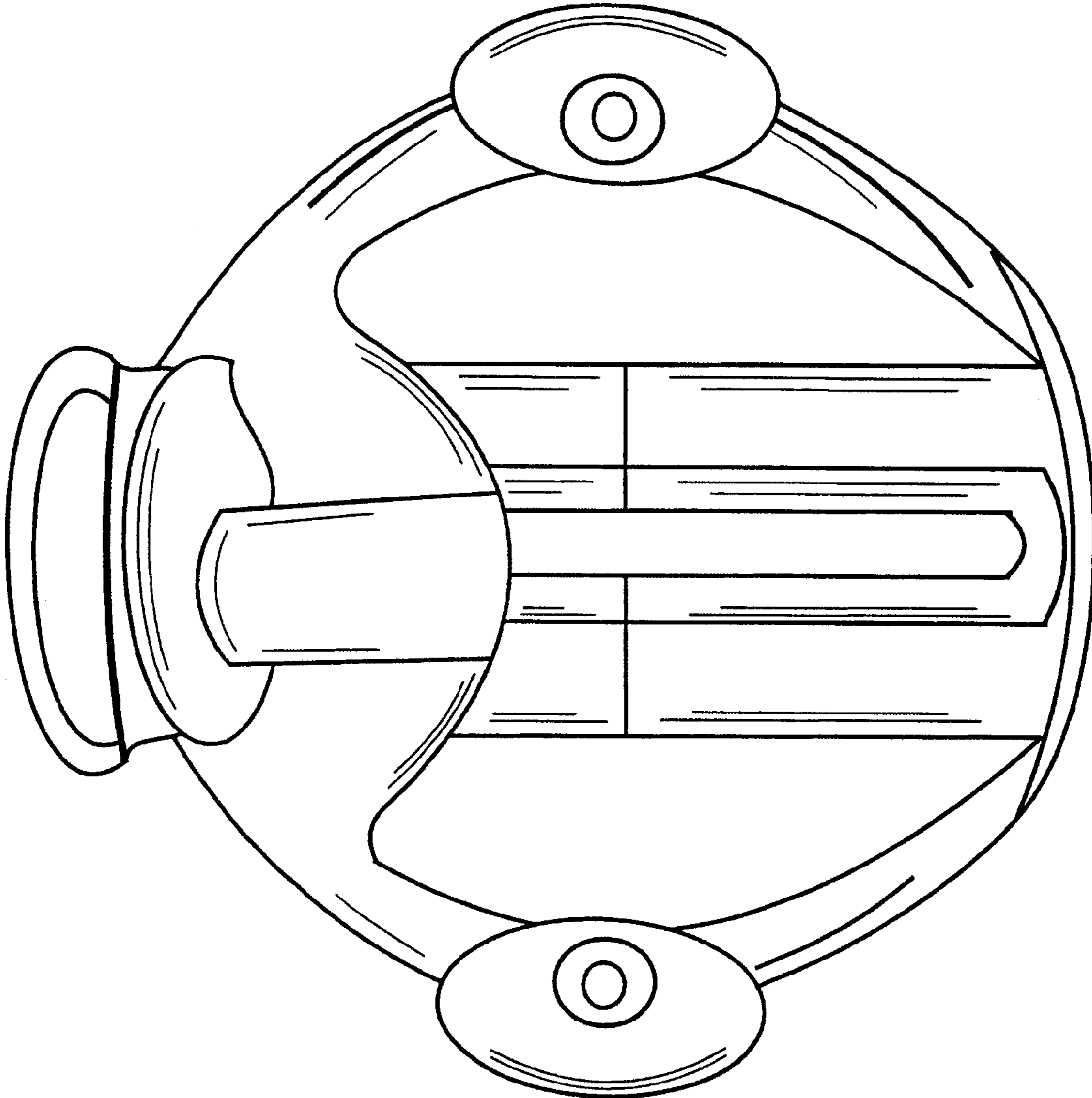


Figure 7



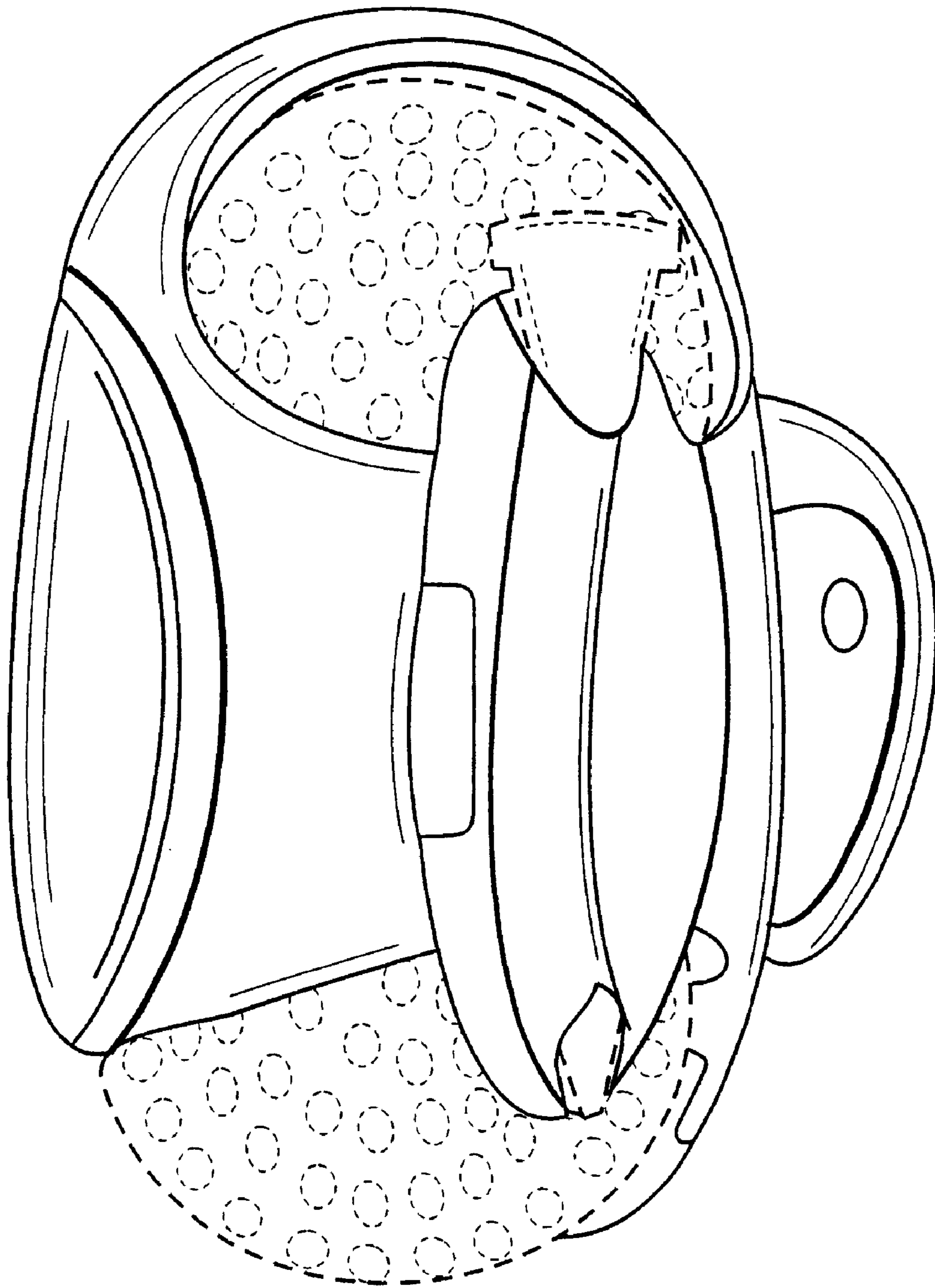


Figure 8

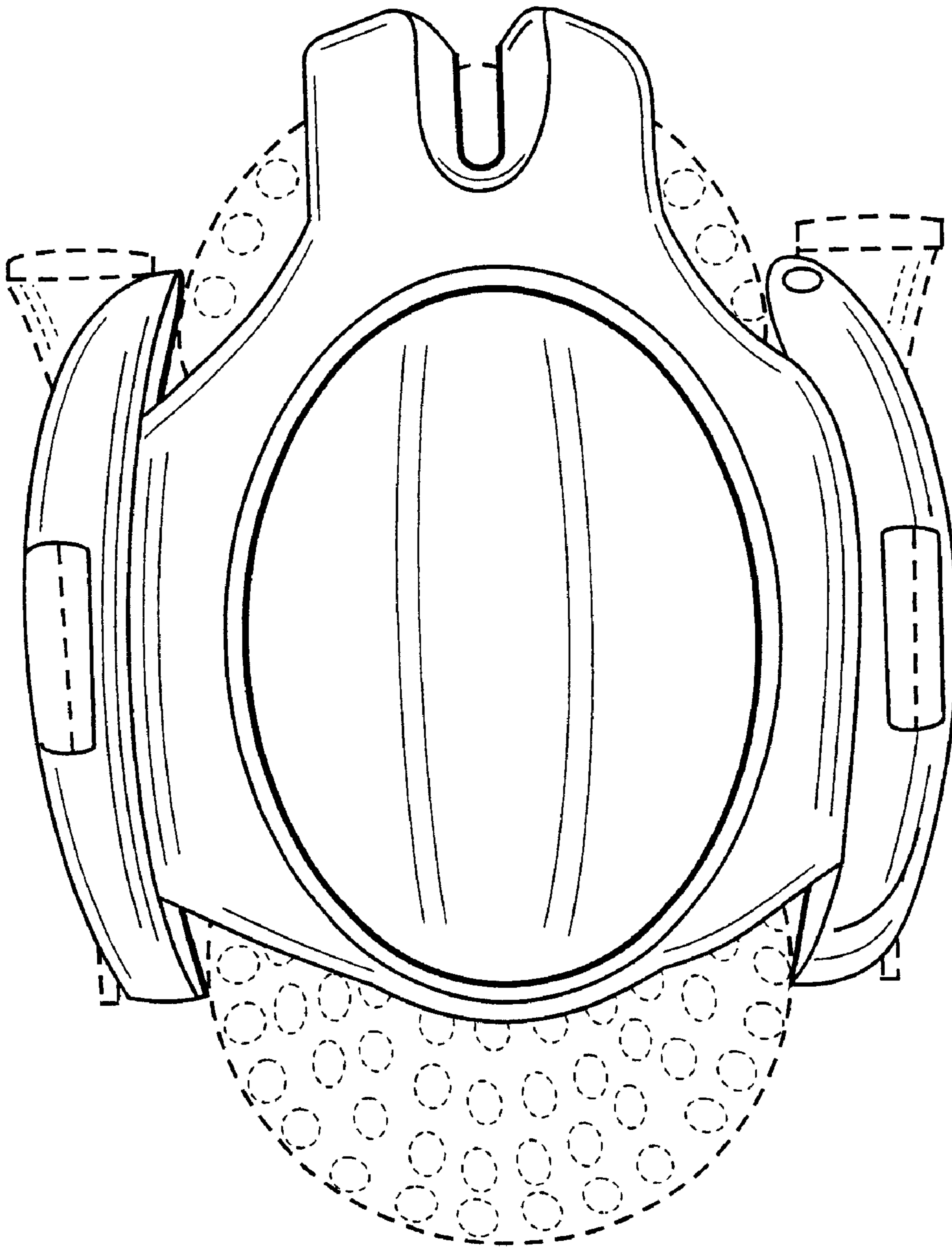


Figure 9