



US00D530766S

(12) **United States Design Patent** (10) **Patent No.:** **US D530,766 S**
Savarese et al. (45) **Date of Patent:** **** Oct. 24, 2006**

(54) **GOLF BALL LOCATOR**

(75) Inventors: **Chris Savarese**, Danville, CA (US);
Kelly Kodama, Alamo, CA (US);
Fadhly Bey, San Francisco, CA (US)

(73) Assignee: **Rader Golf, Inc.**, San Ramon, CA (US)

(**) Term: **14 Years**

(21) Appl. No.: **29/240,045**

(22) Filed: **Oct. 7, 2005**

(51) **LOC (8) Cl.** **21-02**

(52) **U.S. Cl.** **D21/789**

(58) **Field of Classification Search** D21/789;
473/353, 570, 356; 340/539.32, 384.7, 571
See application file for complete search history.

(56) **References Cited**

U.S. PATENT DOCUMENTS

5,423,549	A	*	6/1995	Englmeier	473/353
5,820,484	A	*	10/1998	Terry	473/356
6,620,057	B1	*	9/2003	Pirritano et al.	473/353
D488,847	S	*	4/2004	Miller	D21/789

* cited by examiner

Primary Examiner—Mitchell Siegel

(74) *Attorney, Agent, or Firm*—Blakely, Sokoloff, Taylor & Zafman LLP

(57) **CLAIM**

The ornamental design for a golf ball locator, as shown and described.

DESCRIPTION

FIG. 1 is a front view of a first embodiment of a golf ball locator.

FIG. 2 is a back view of a first embodiment.

FIG. 3 is a left side view of a first embodiment.

FIG. 4 is a right side view of a first embodiment.

FIG. 5 is a top side view of a first embodiment.

FIG. 6 is a bottom side view of a first embodiment.

FIG. 7 is a front perspective view of a first embodiment.

FIG. 8 is a back perspective view of a first embodiment.

FIG. 9 is a right side view of the first embodiment, the broken line showing of a hand and arm is for illustrative purposes only and forms no part of the claimed design.

FIG. 10 is a front view of a second embodiment of a golf ball locator.

FIG. 11 is a back view of a second embodiment.

FIG. 12 is a left side view of a second embodiment.

FIG. 13 is a right side view of a second embodiment.

FIG. 14 is a top side view of a second embodiment.

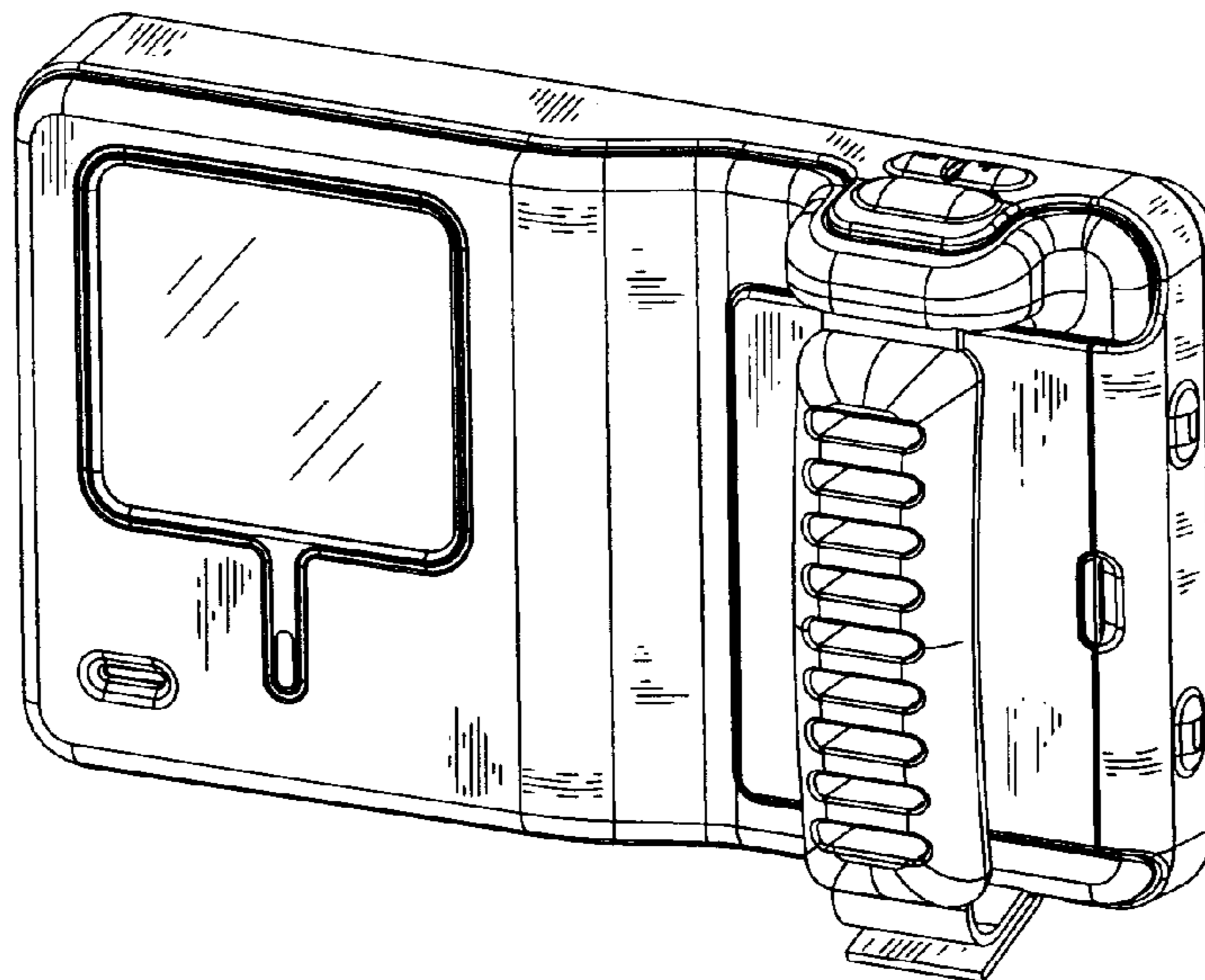
FIG. 15 is a bottom side view of a second embodiment.

FIG. 16 is a front perspective view of a second embodiment.

FIG. 17 is a back perspective view of a second embodiment; and,

FIG. 18 is a right side view of the second embodiment, the broken line showing of a hand and arm is for illustrative purposes only and forms no part of the claimed design.

1 Claim, 10 Drawing Sheets



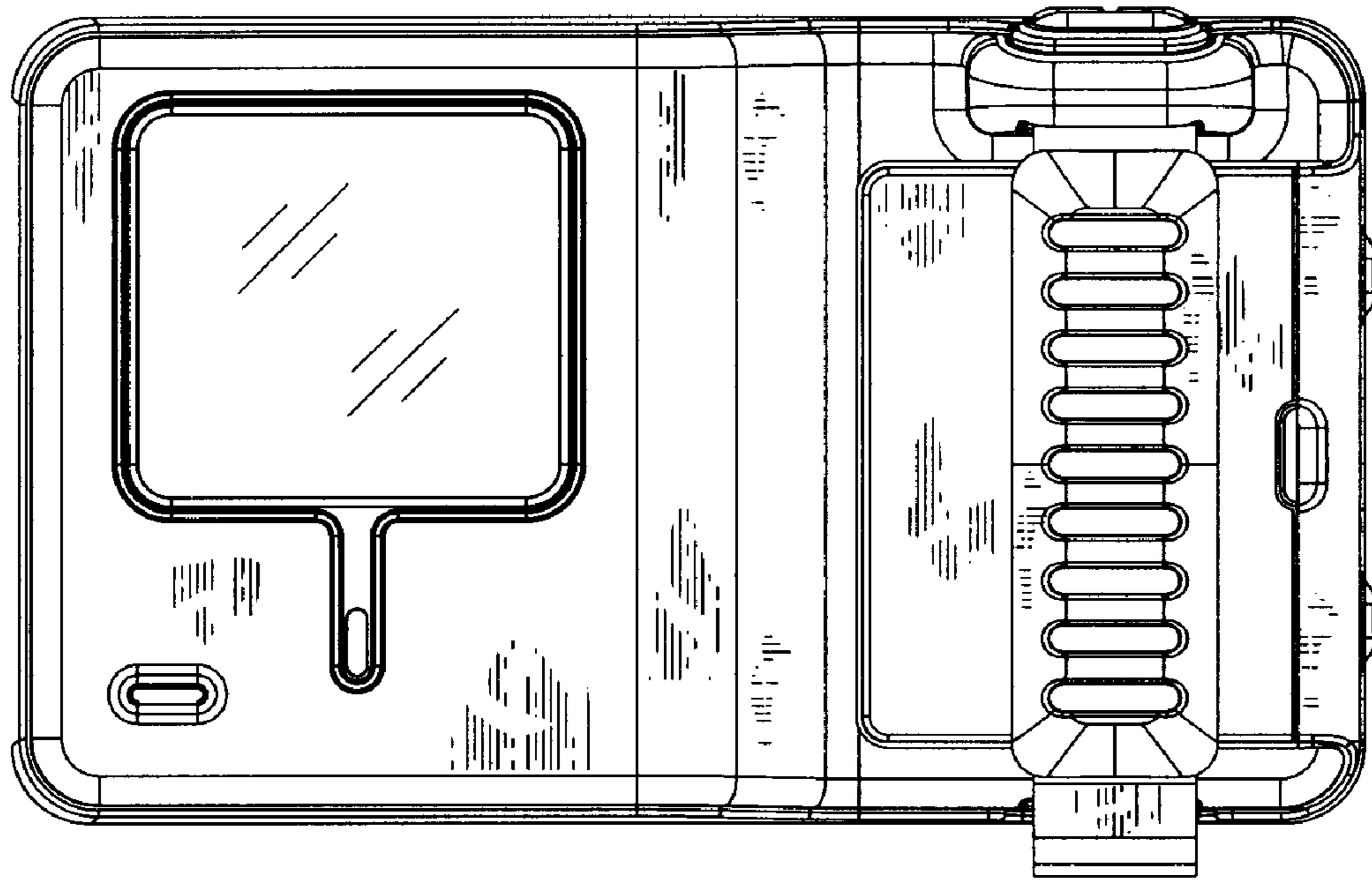


FIG. 1

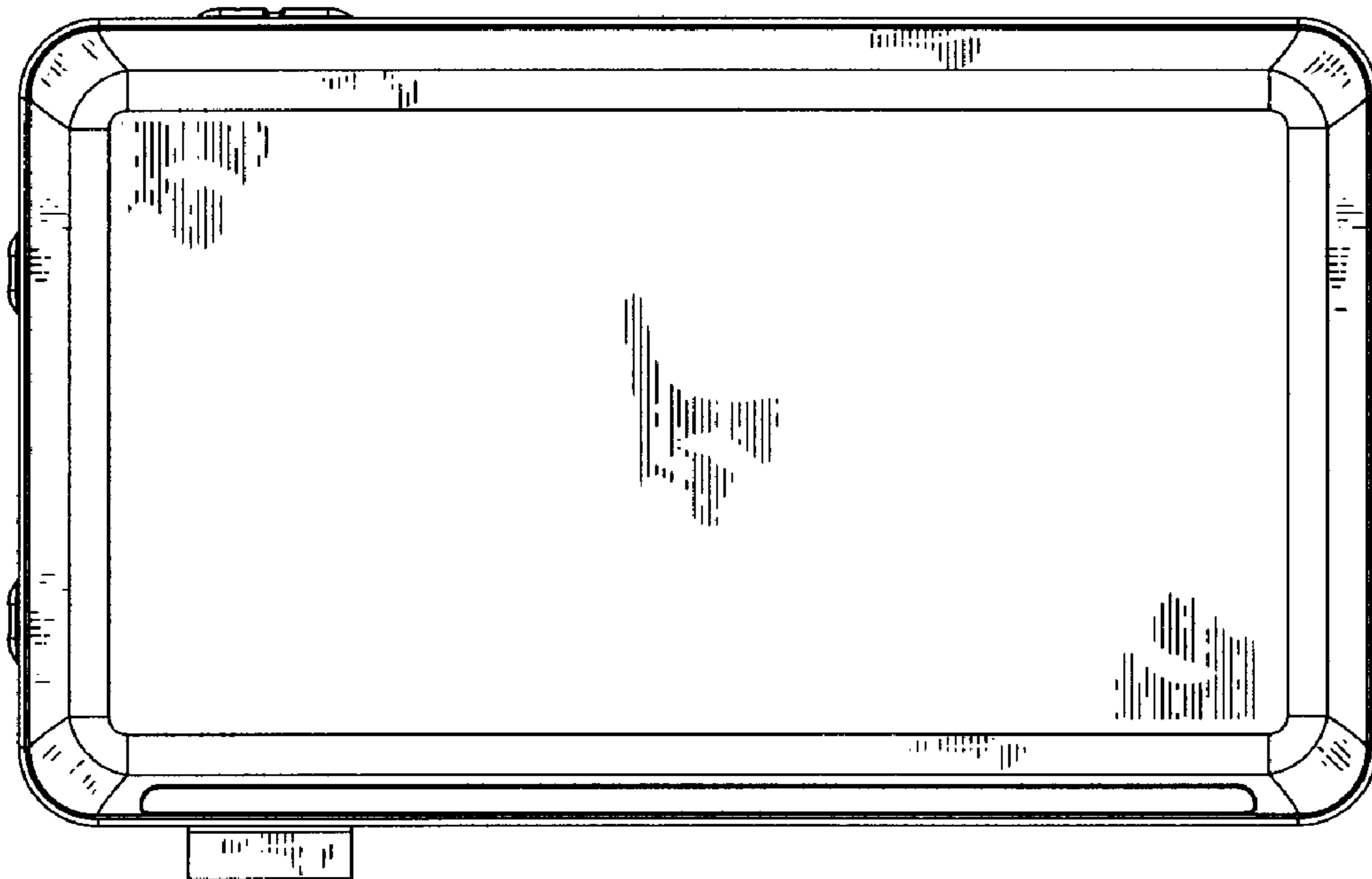


FIG. 2

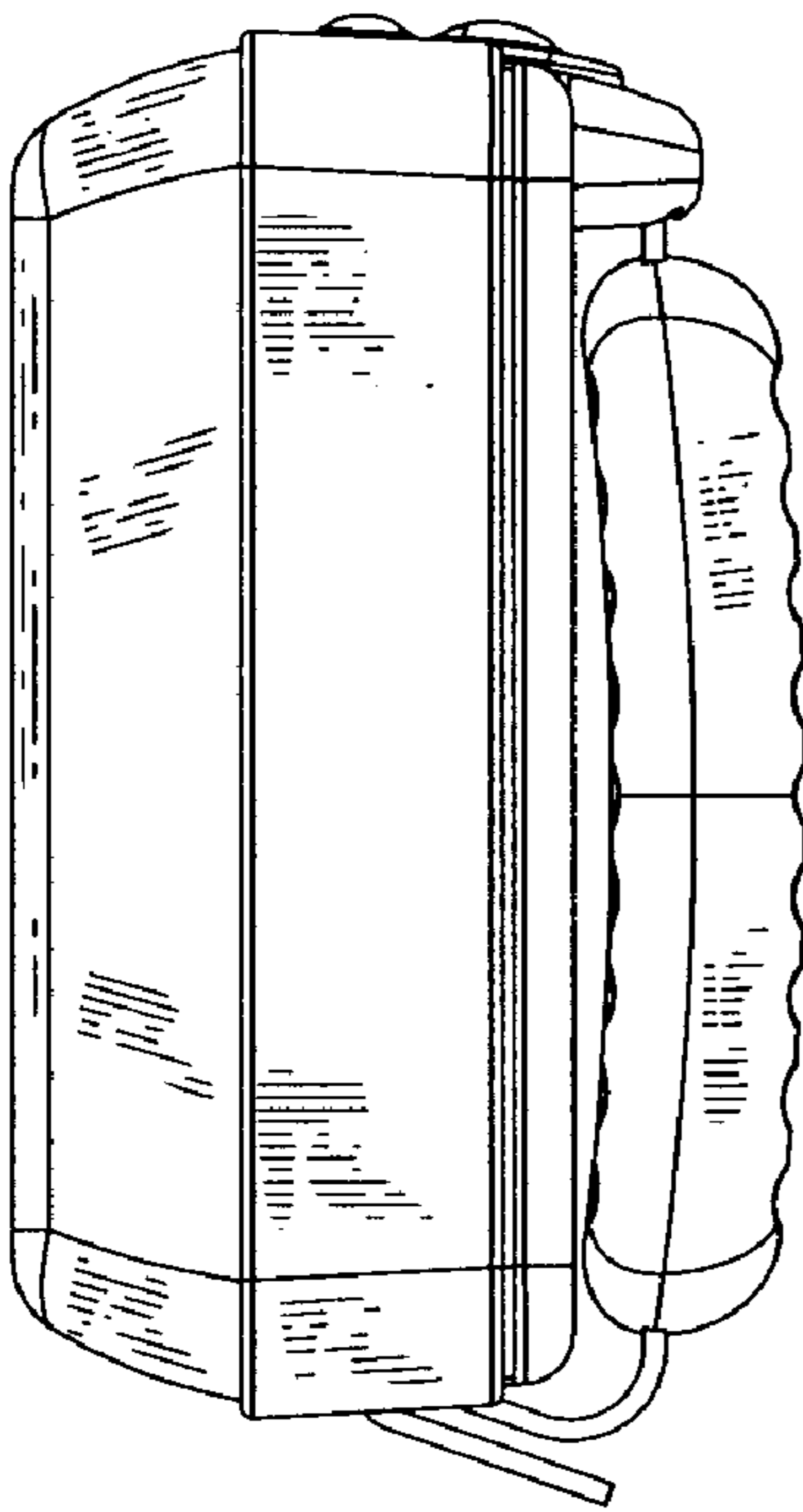


FIG. 3

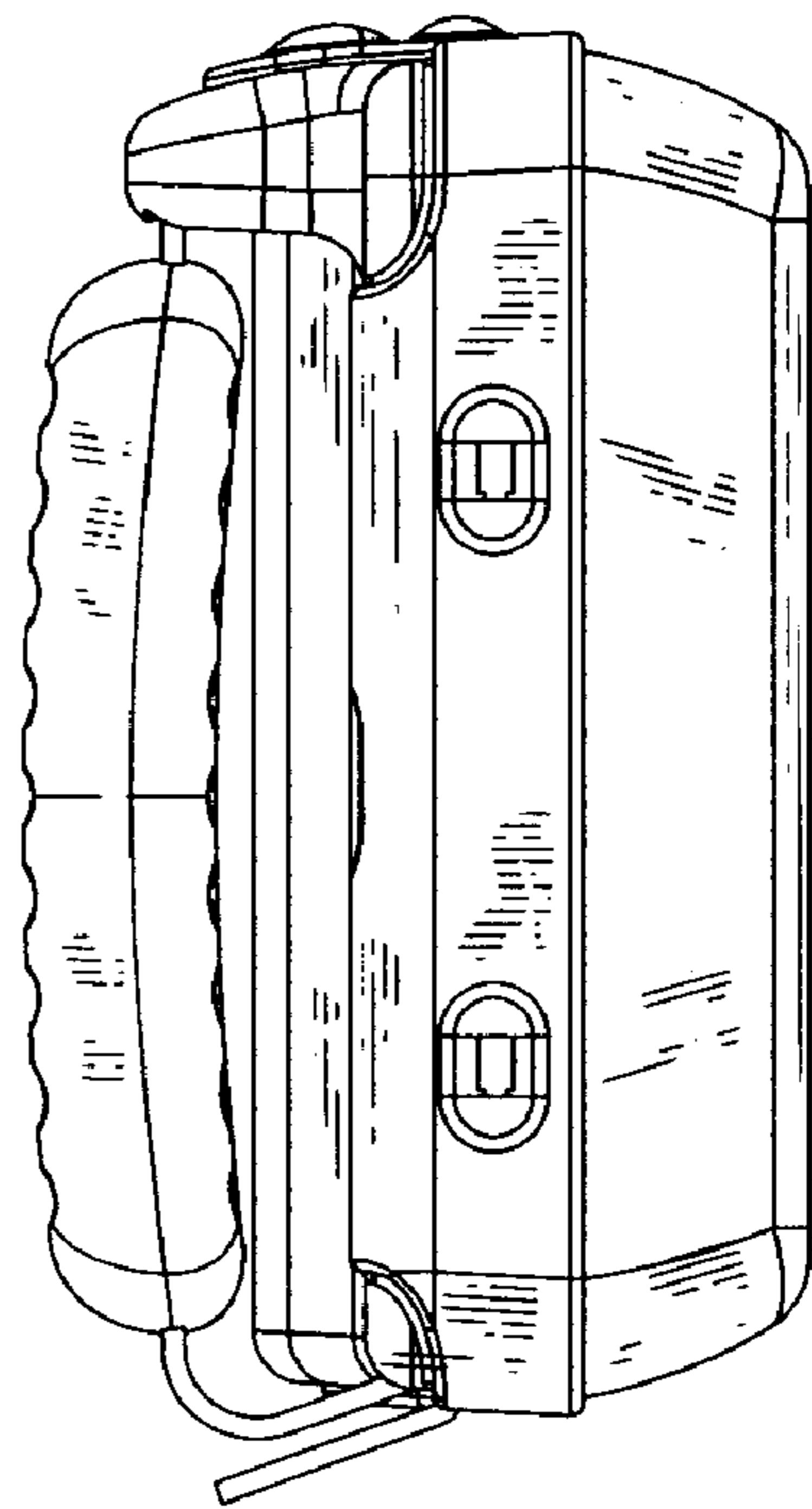


FIG. 4

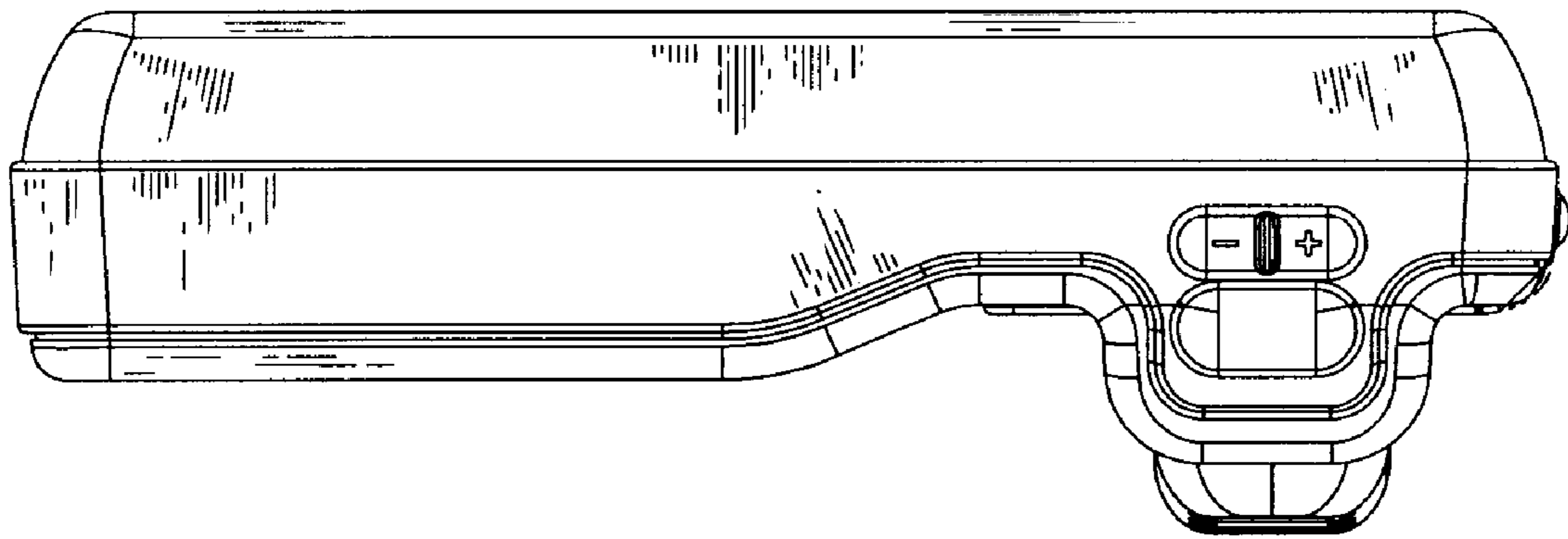


FIG. 5

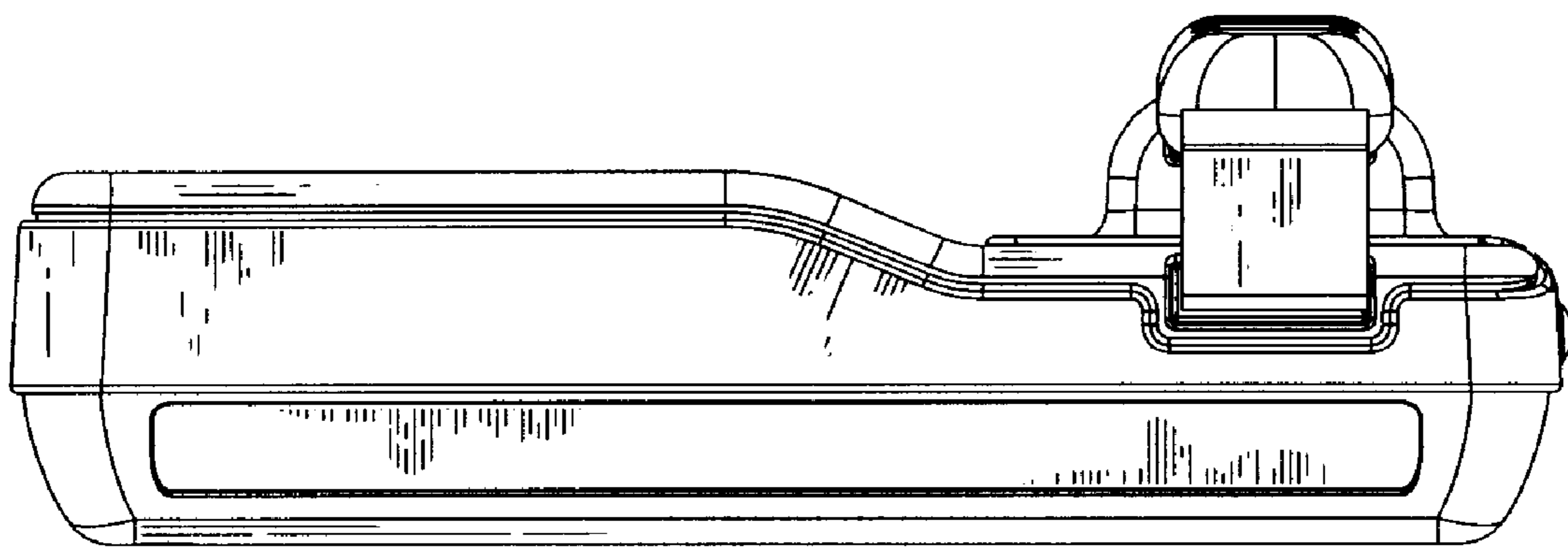


FIG. 6

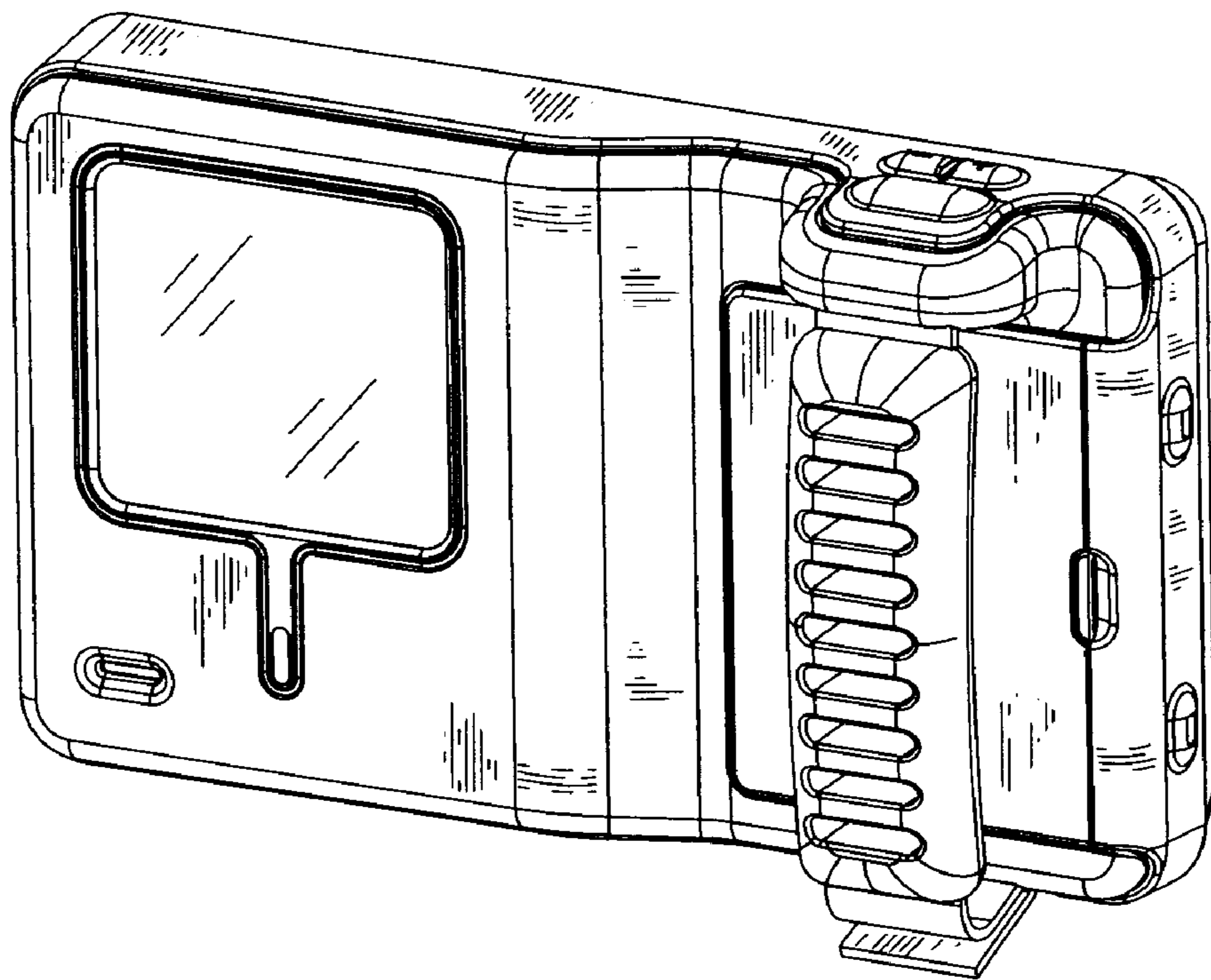


FIG. 7

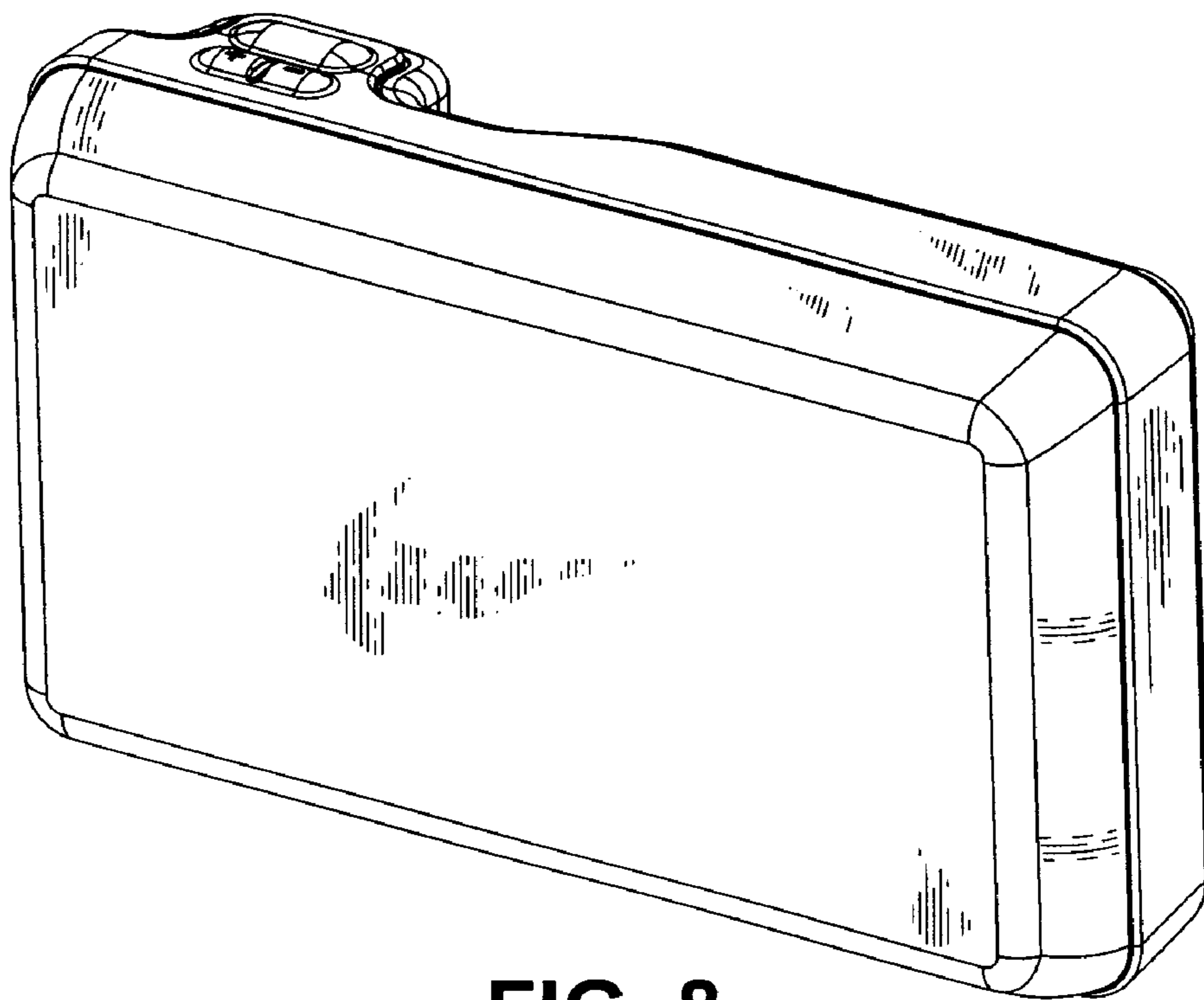


FIG. 8

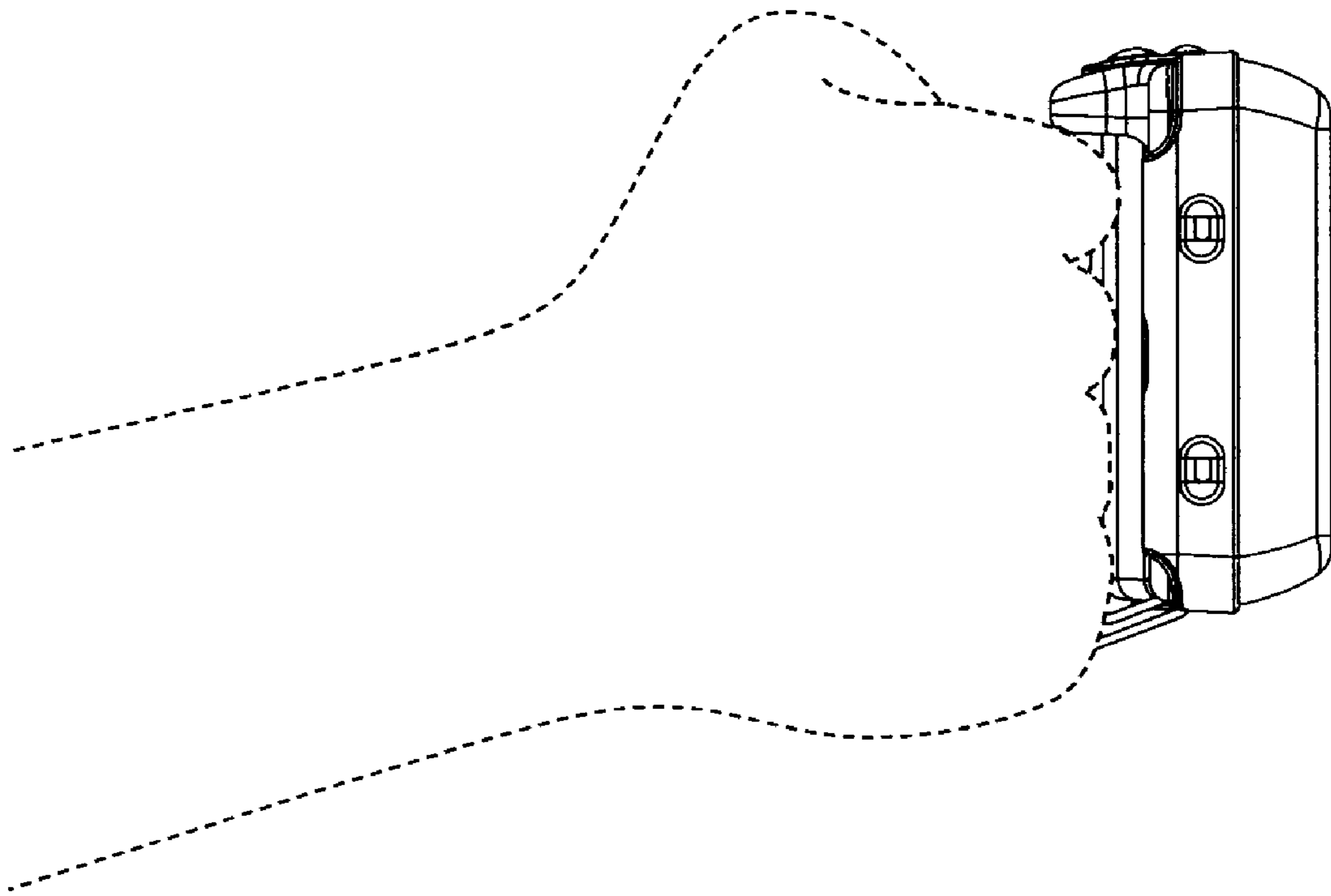


FIG. 9

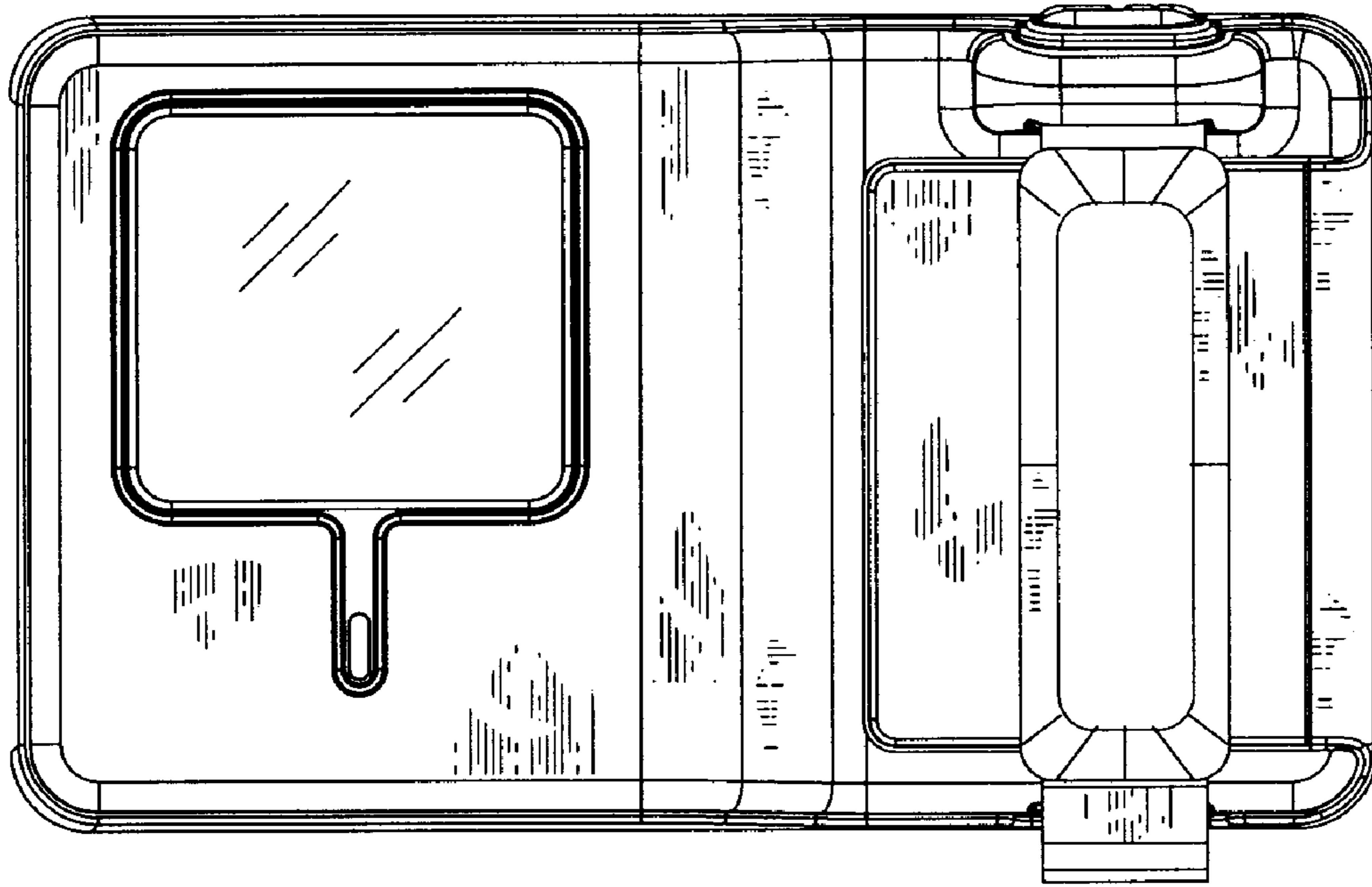


FIG. 10

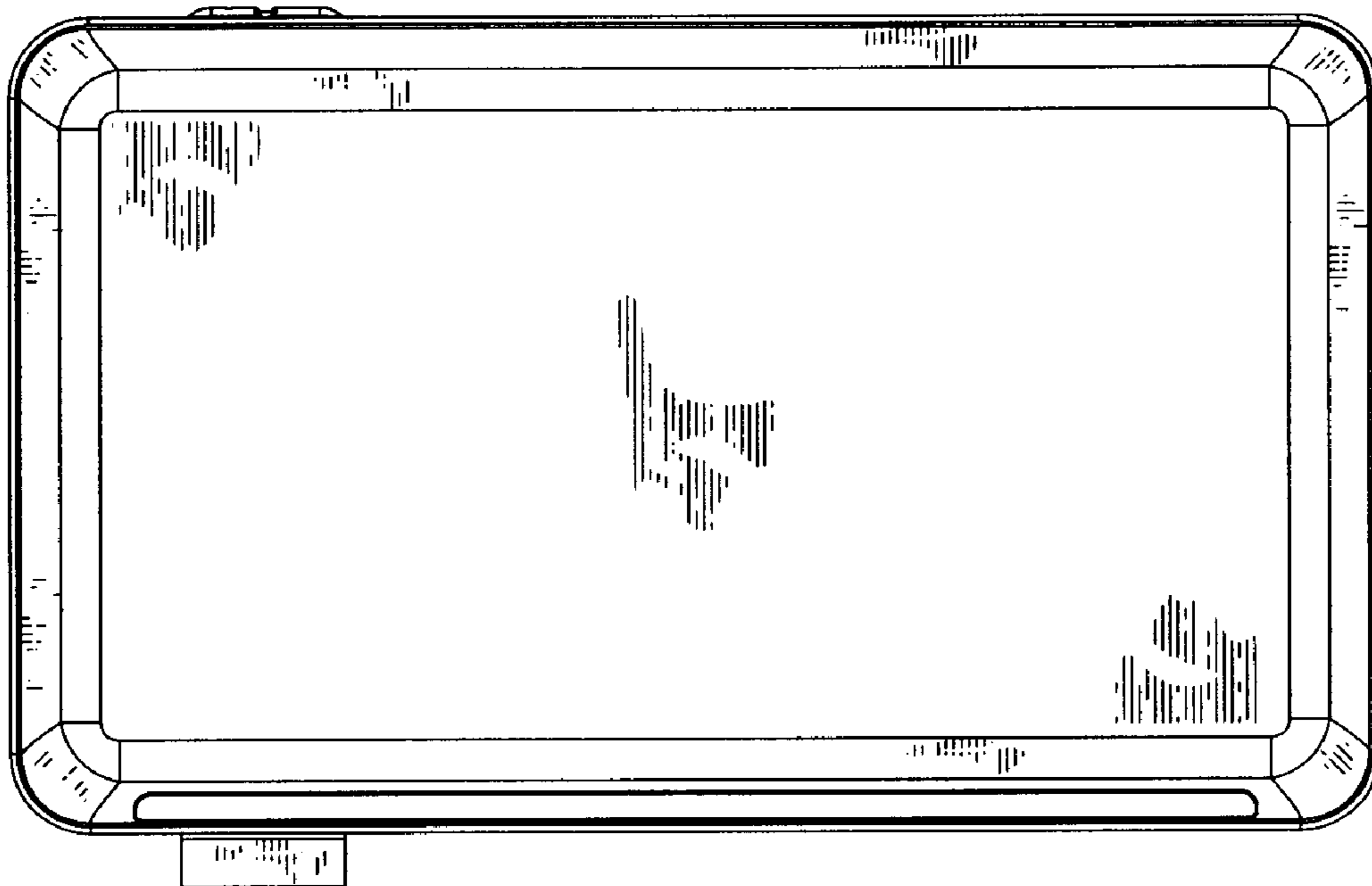


FIG. 11

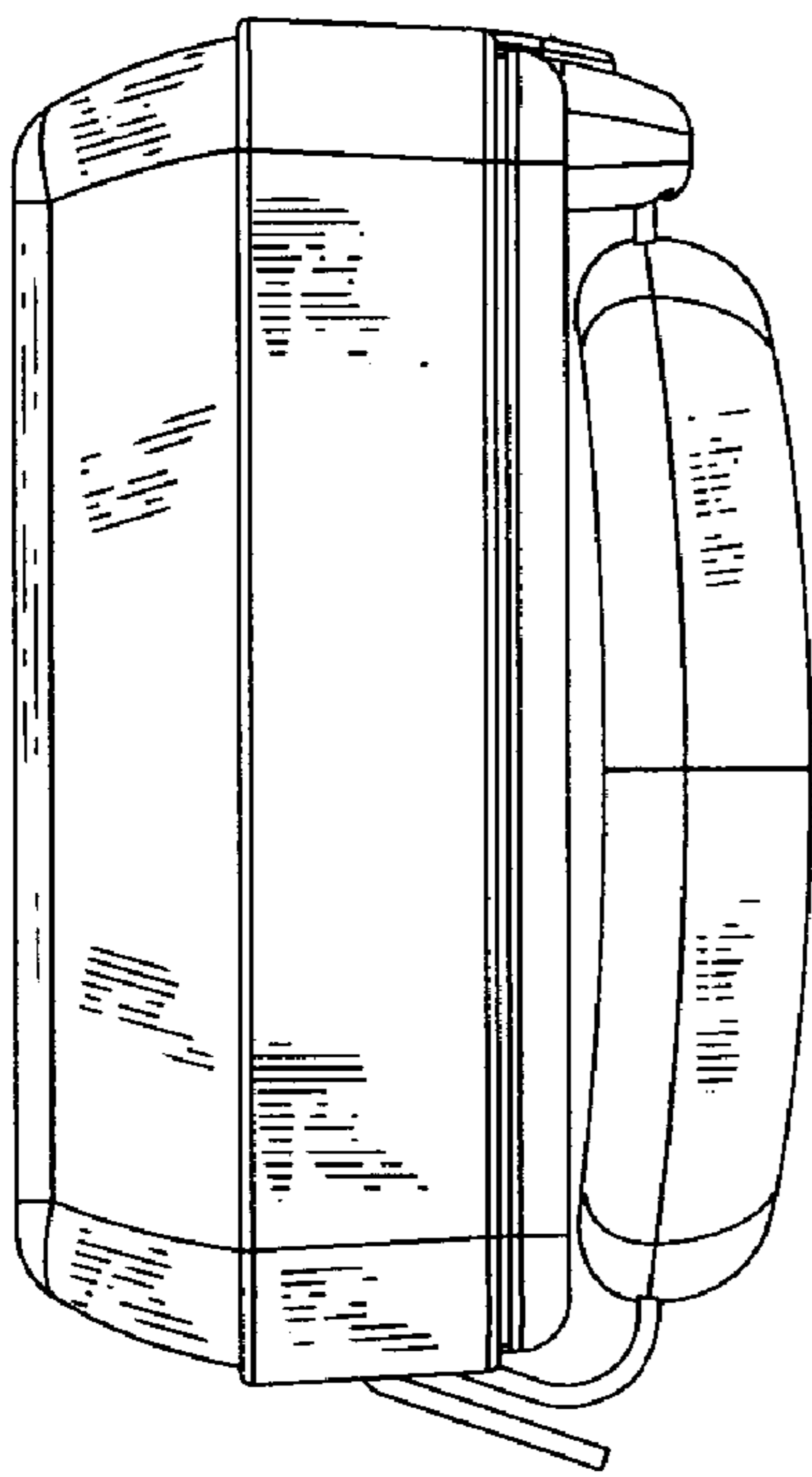


FIG. 12

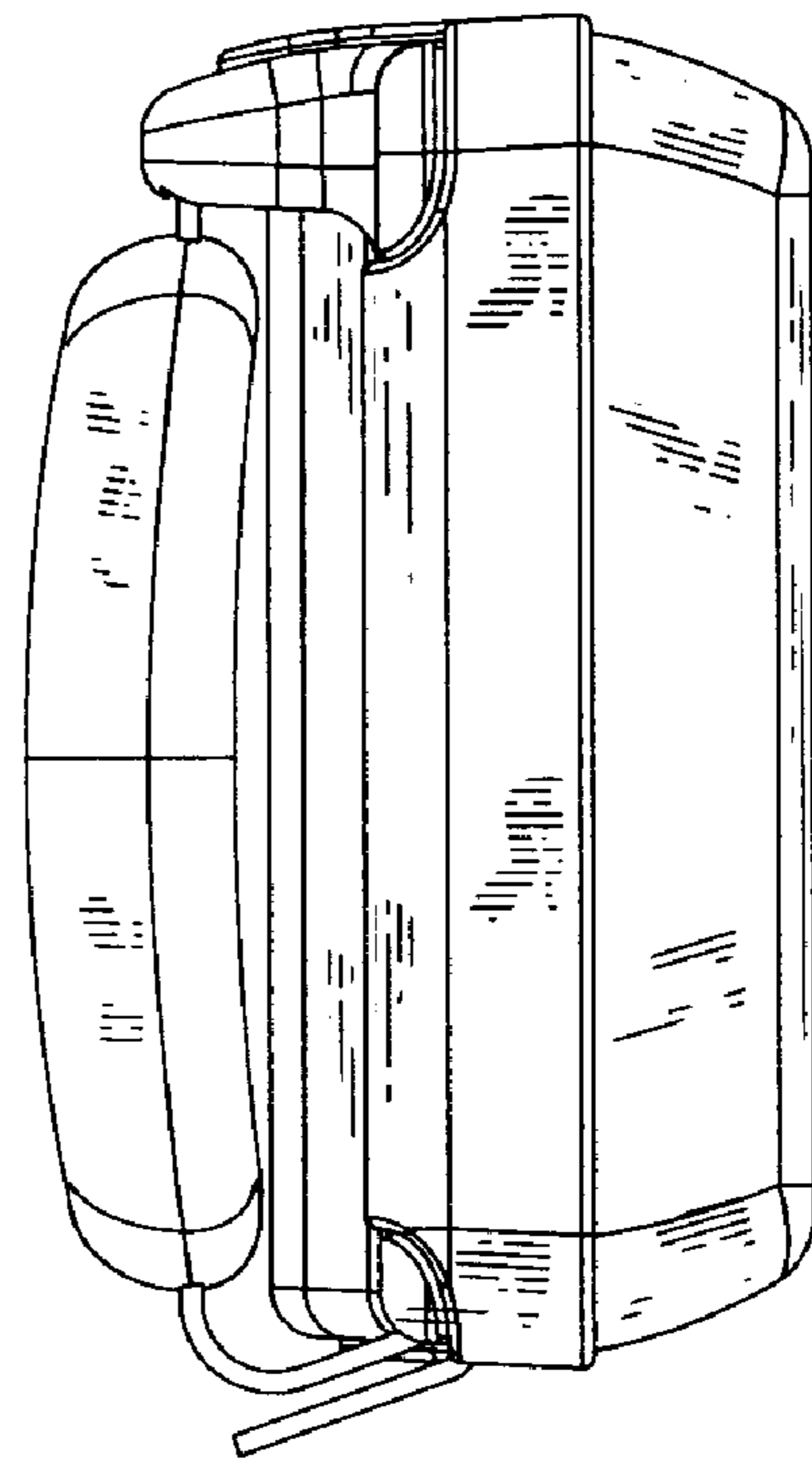


FIG. 13

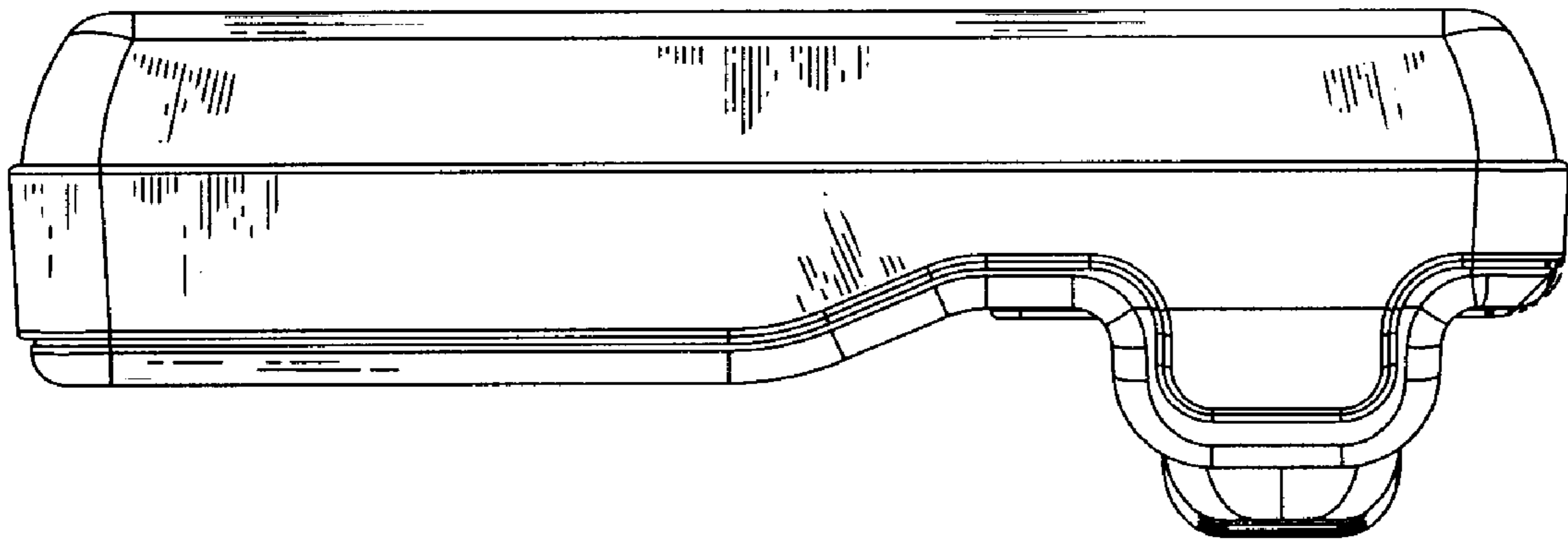


FIG. 14

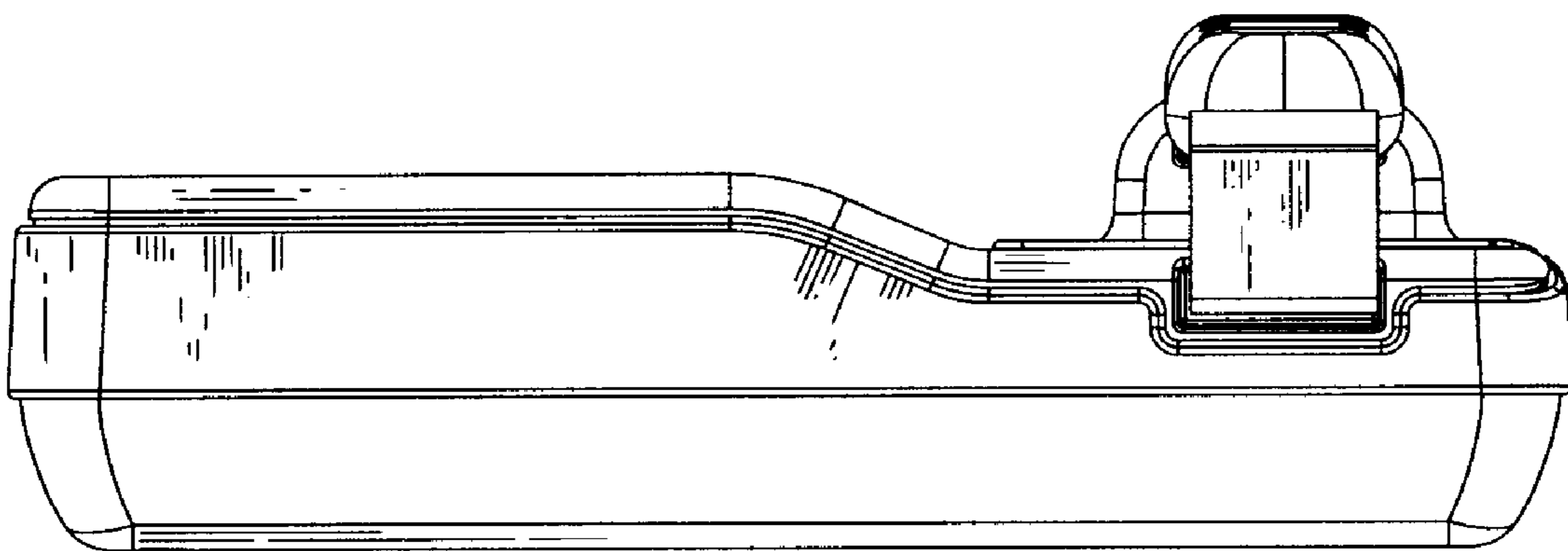


FIG. 15

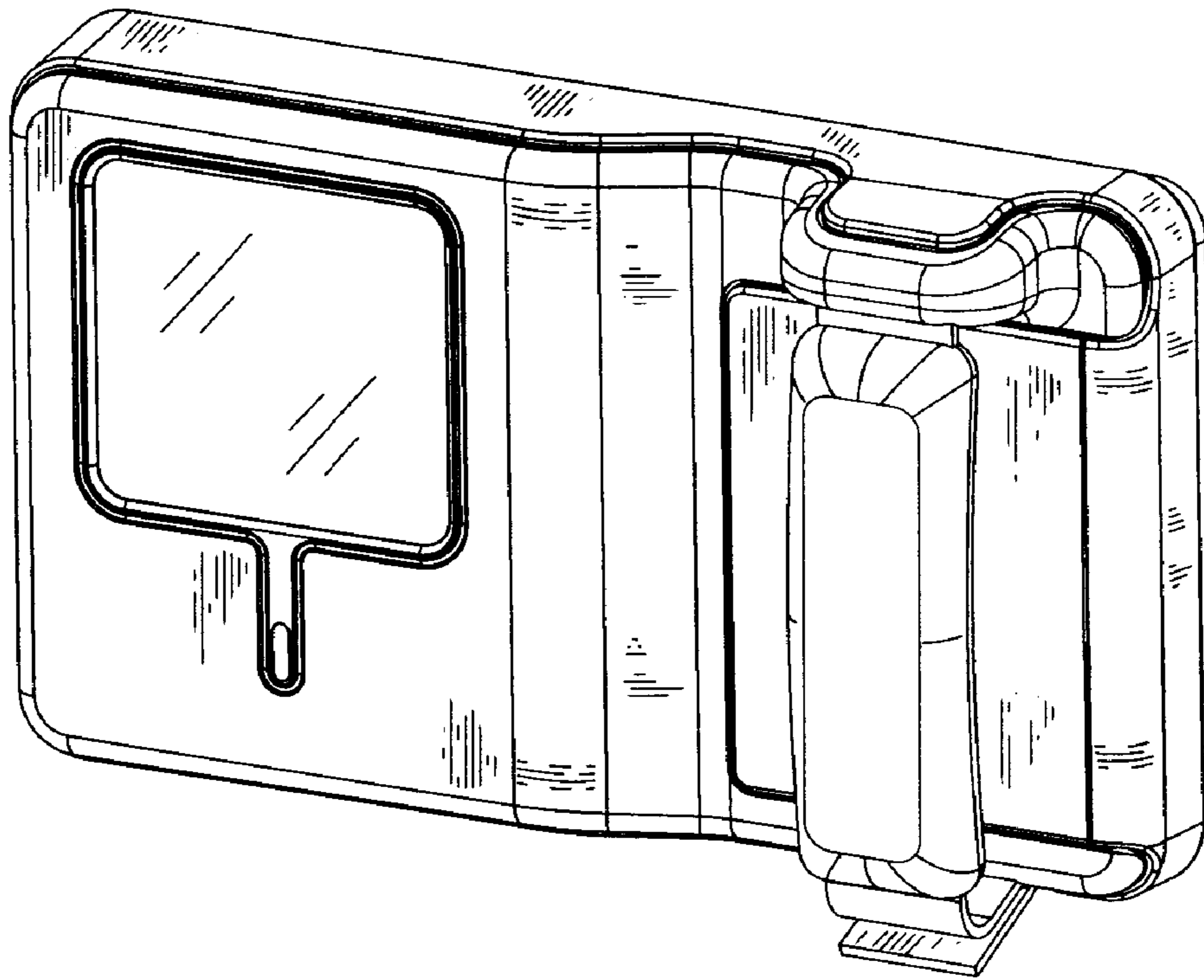


FIG. 16

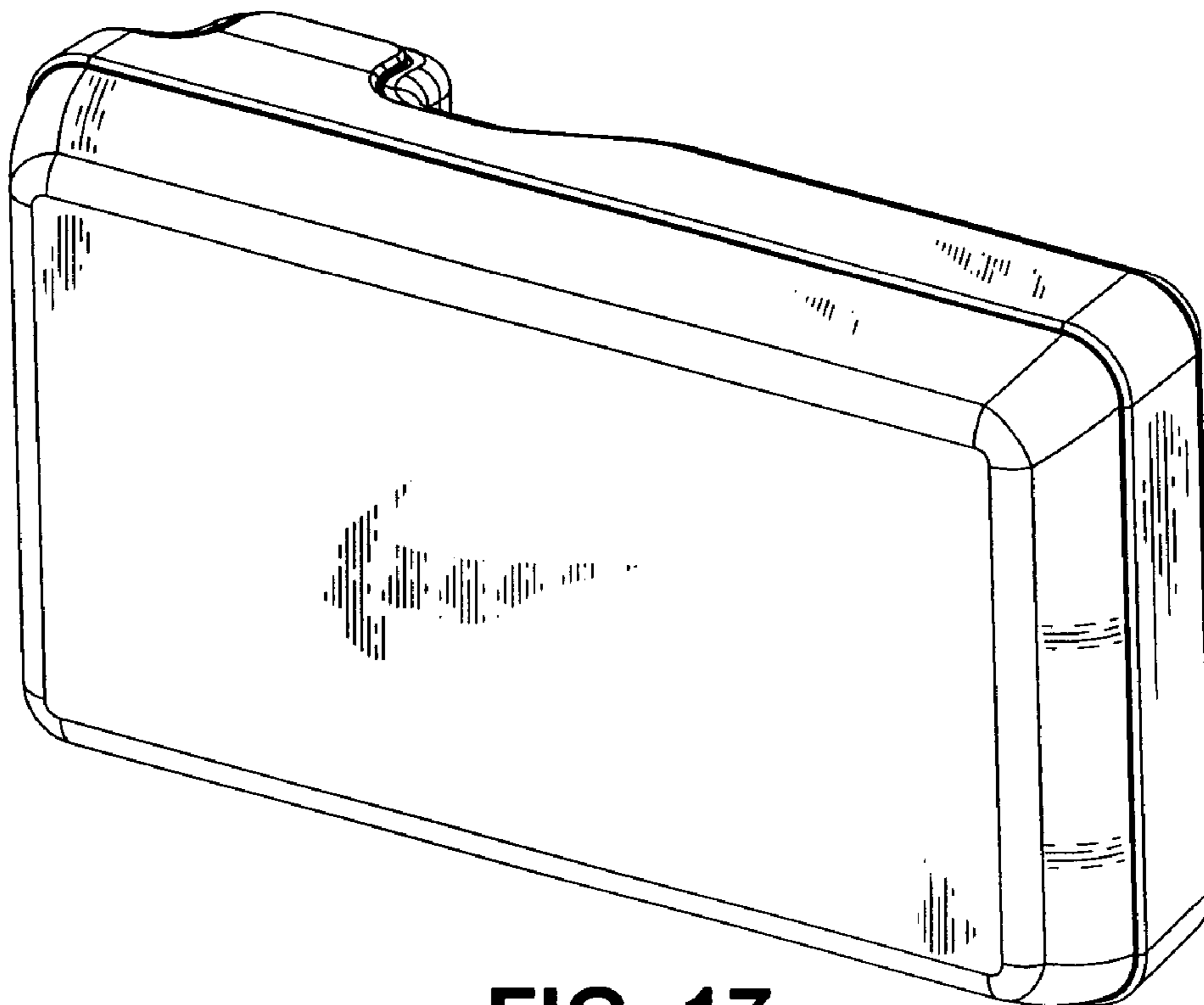


FIG. 17

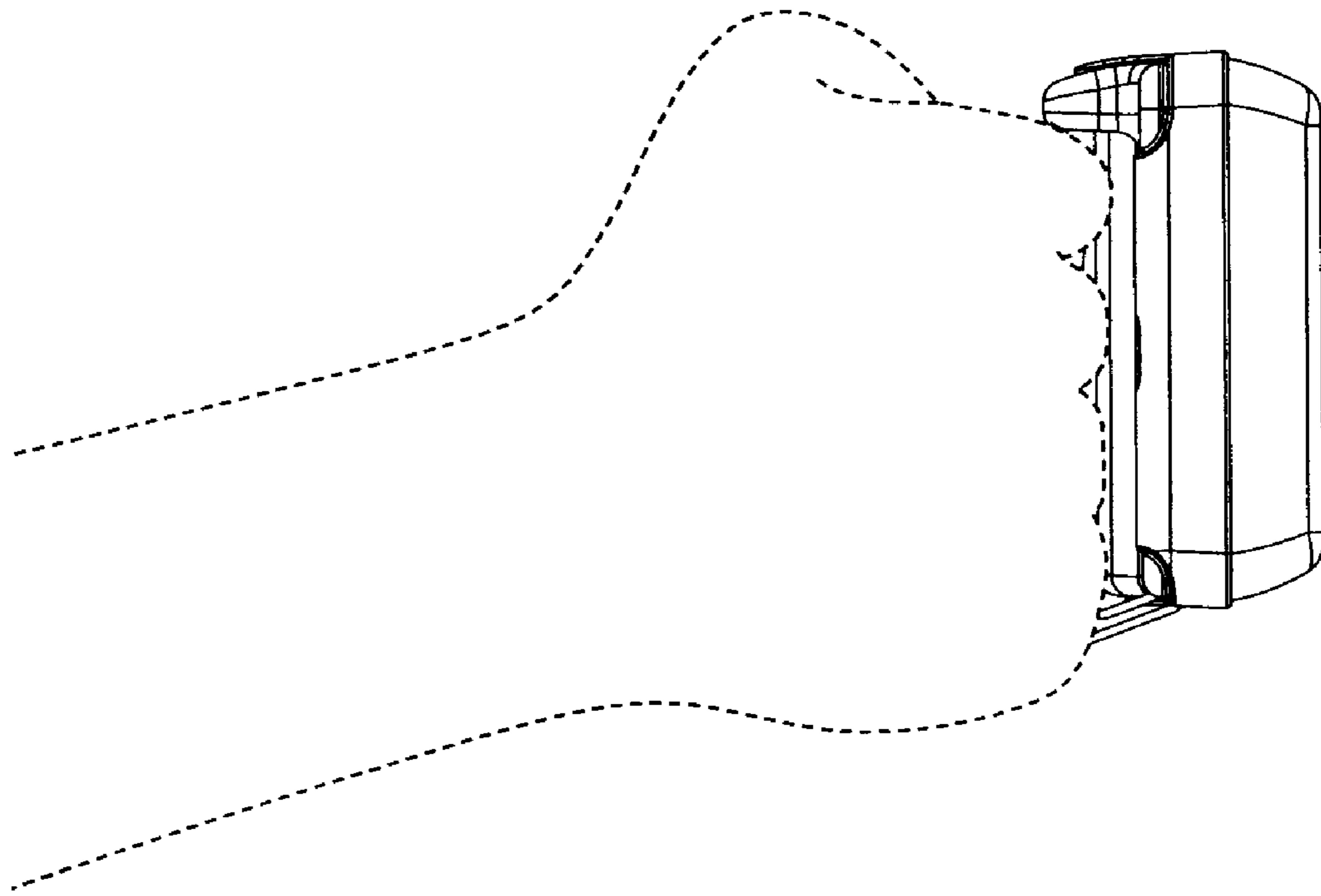


FIG. 18