

US00D530765S

(12) **United States Design Patent** (10) **Patent No.:** **US D530,765 S**  
**Rojas** (45) **Date of Patent:** **\*\* Oct. 24, 2006**

(54) **WHEELED SKI**

(76) Inventor: **Magali Rojas**, 10566 Elm Ave.,  
Bloomington, CA (US) 92316

(\*\*) Term: **14 Years**

(21) Appl. No.: **29/231,683**

(22) Filed: **Jun. 9, 2005**

(51) **LOC (8) Cl.** ..... **21-02**

(52) **U.S. Cl.** ..... **D21/760; D21/765**

(58) **Field of Classification Search** ..... D21/423,  
D21/760, 765, 771, 779; 280/87.01, 87.021,  
280/87.03, 87.041, 87.042, 57.05, 11.115,  
280/11.27, 11.28; 180/180, 181  
See application file for complete search history.

(56) **References Cited**

U.S. PATENT DOCUMENTS

1,653,558	A	*	12/1927	Fisher	.....	280/11.233
2,439,311	A	*	4/1948	Maybery	.....	248/100
D161,557	S	*	1/1951	Walker et al.	.....	D21/763
3,436,088	A		4/1969	Kunselman		
3,827,706	A		8/1974	Milliman		
4,033,596	A	*	7/1977	Andorsen et al.	.....	280/842
4,134,598	A		1/1979	Urisaka		
D293,010	S		12/1987	Fortin		
4,738,456	A	*	4/1988	Creason	.....	280/842
4,805,936	A		2/1989	Krantz		
4,886,298	A		12/1989	Shols		
5,251,934	A		10/1993	Gates		
D383,824	S	*	9/1997	Mendoza et al.	.....	D21/760
D399,550	S	*	10/1998	Wyatt	.....	D21/766
6,065,762	A	*	5/2000	Brelvi	.....	280/11.226
6,257,613	B1	*	7/2001	Porte	.....	280/617
D502,978	S	*	3/2005	Edwards	.....	D21/760
D503,205	S	*	3/2005	Edwards	.....	D21/760
2003/0020244	A1	*	1/2003	Sung	.....	280/11.19

\* cited by examiner

*Primary Examiner*—Holly Baynham  
*Assistant Examiner*—Cynthia M. Chin

(57) **CLAIM**

The ornamental design for a wheeled ski, as shown.

**DESCRIPTION**

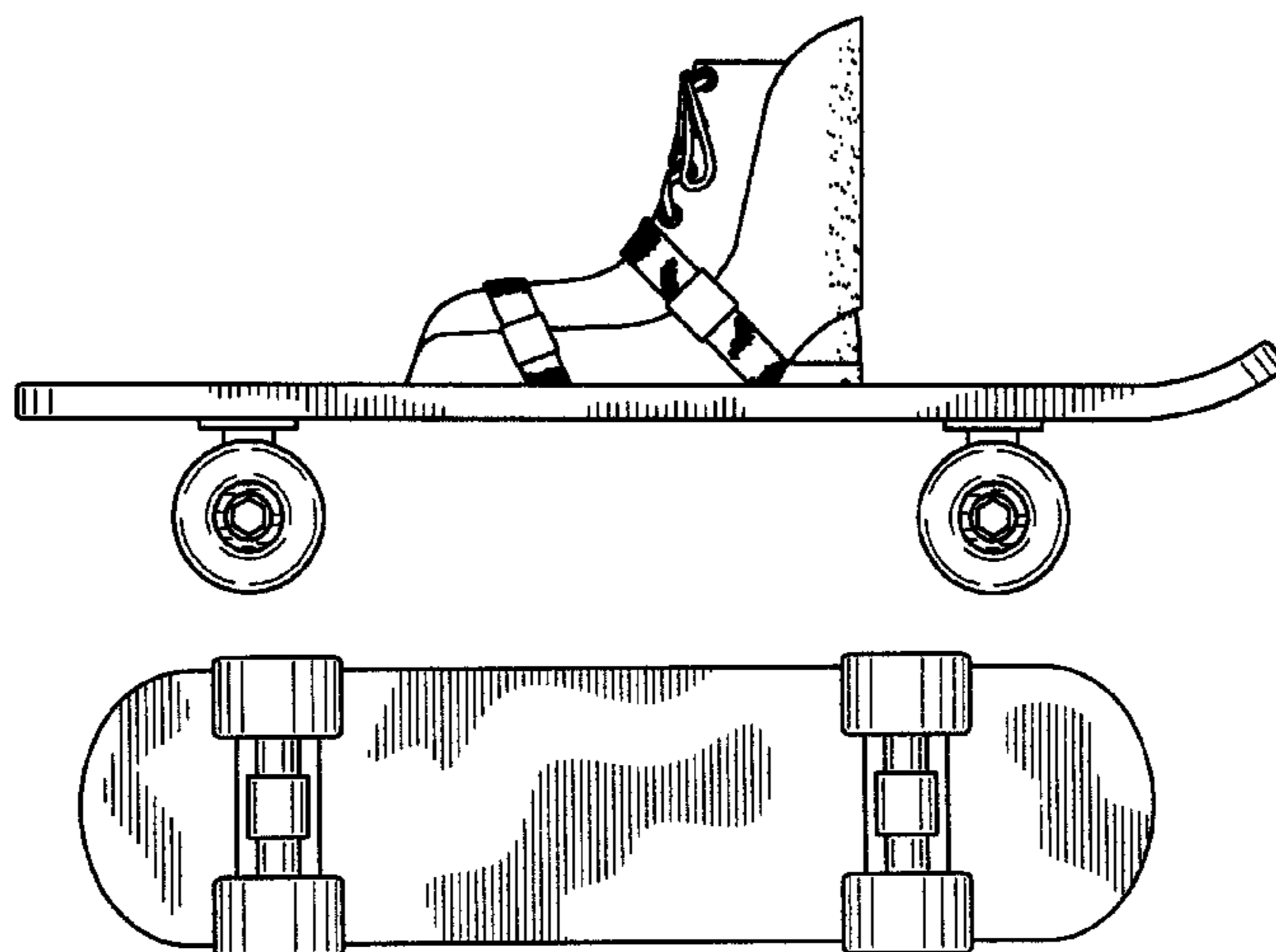
FIG. 1 is a frontal view showing my design;  
FIG. 2 is a rear view thereof;  
FIG. 3 is a left side view thereof;  
FIG. 4 is a right side view thereof;  
FIG. 5 is a top perspective view thereof; and,  
FIG. 6 is a bottom view of my design.

A pair of wheeled skis and modified ski poles to simulate skiing when there is no snow. The claimed subject matter comprises of modified skateboards featuring a conventional deck, two struck assemblies, complete with wheels and axles, and boot and binding combinations affixed to each board, similar in design to skates. In one embodiment, the skateboard skis measure approximately 21" long and 6" wide to provide a similar feel to that of real skis when in use. A pair of modified ski poles could also be utilized with this design to enable a user to stand upright and push off the ground to propel his self over a smooth surface to simulate skiing in a realistic manner without snow.

The claimed subject matter can be utilized by cross country or downhill skiers who want to continue training during the off season when there is no snow, by anyone who wants a good workout and wants an alternate to skateboard or rollerblading, or for an entertaining and fun leisure-time activity. Participating in such an activity could increase cardiovascular, circulation, and respiratory rates, which in turn would help an individual burn calories, lose weight, tone and shape the upper and lower body, enhance health, and increase self-esteem.

Variations of the ski and pole set include different ski and poles sizes, shapes, colors, and designs. For example, the skis could be offered in a variety of sizes for adults and children, as well as produced in a variety of attractive colors and designs.

**1 Claim, 3 Drawing Sheets**



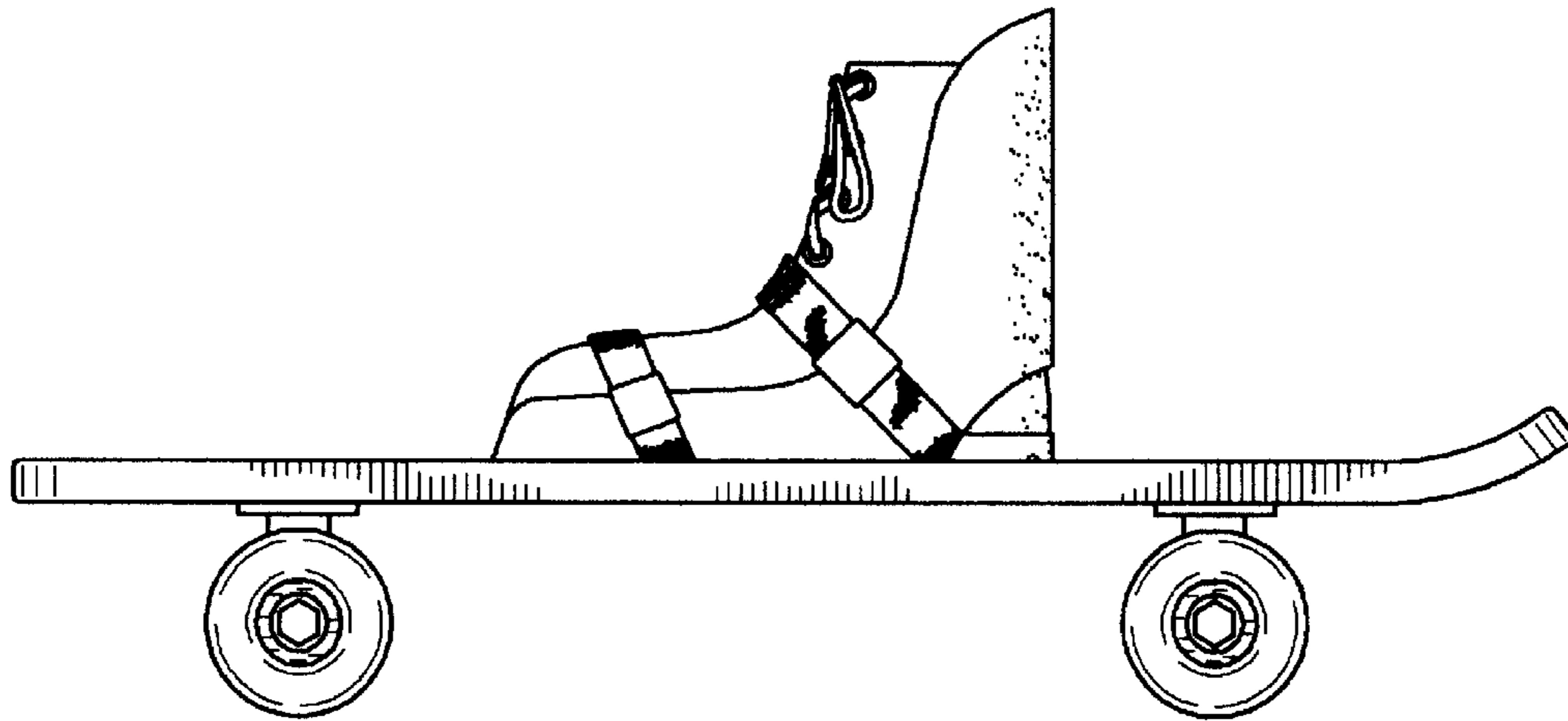


FIG.1

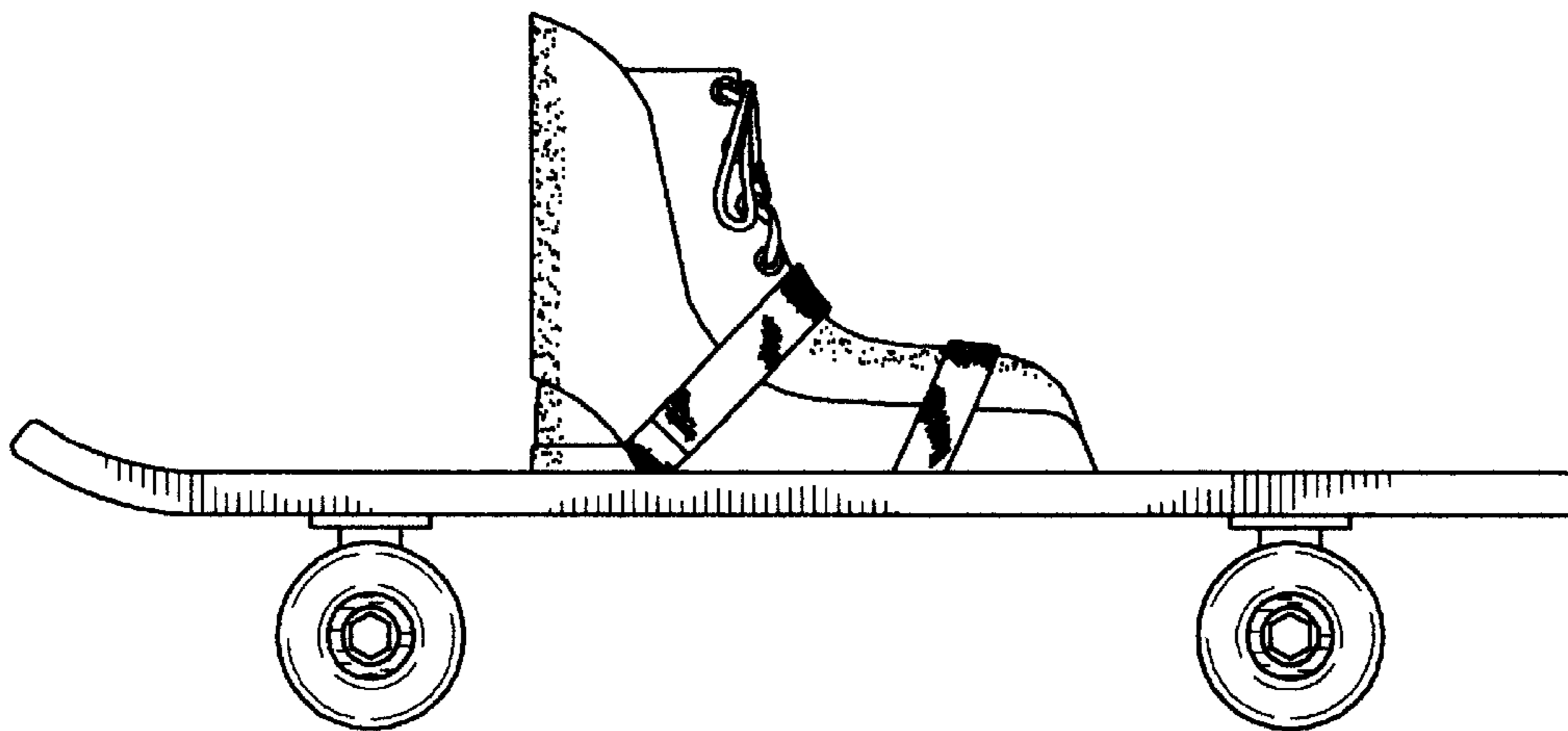


FIG.2

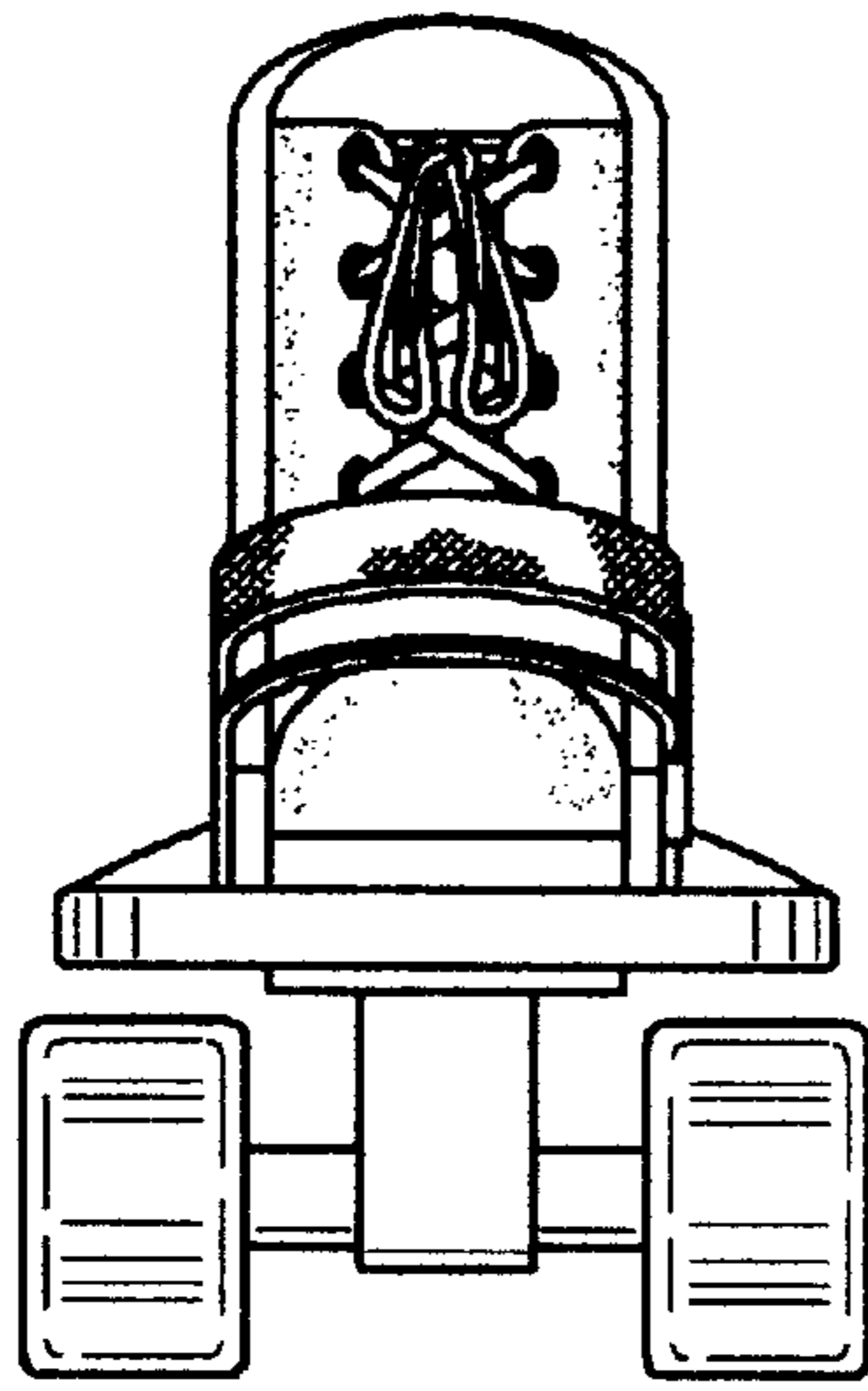


FIG.3

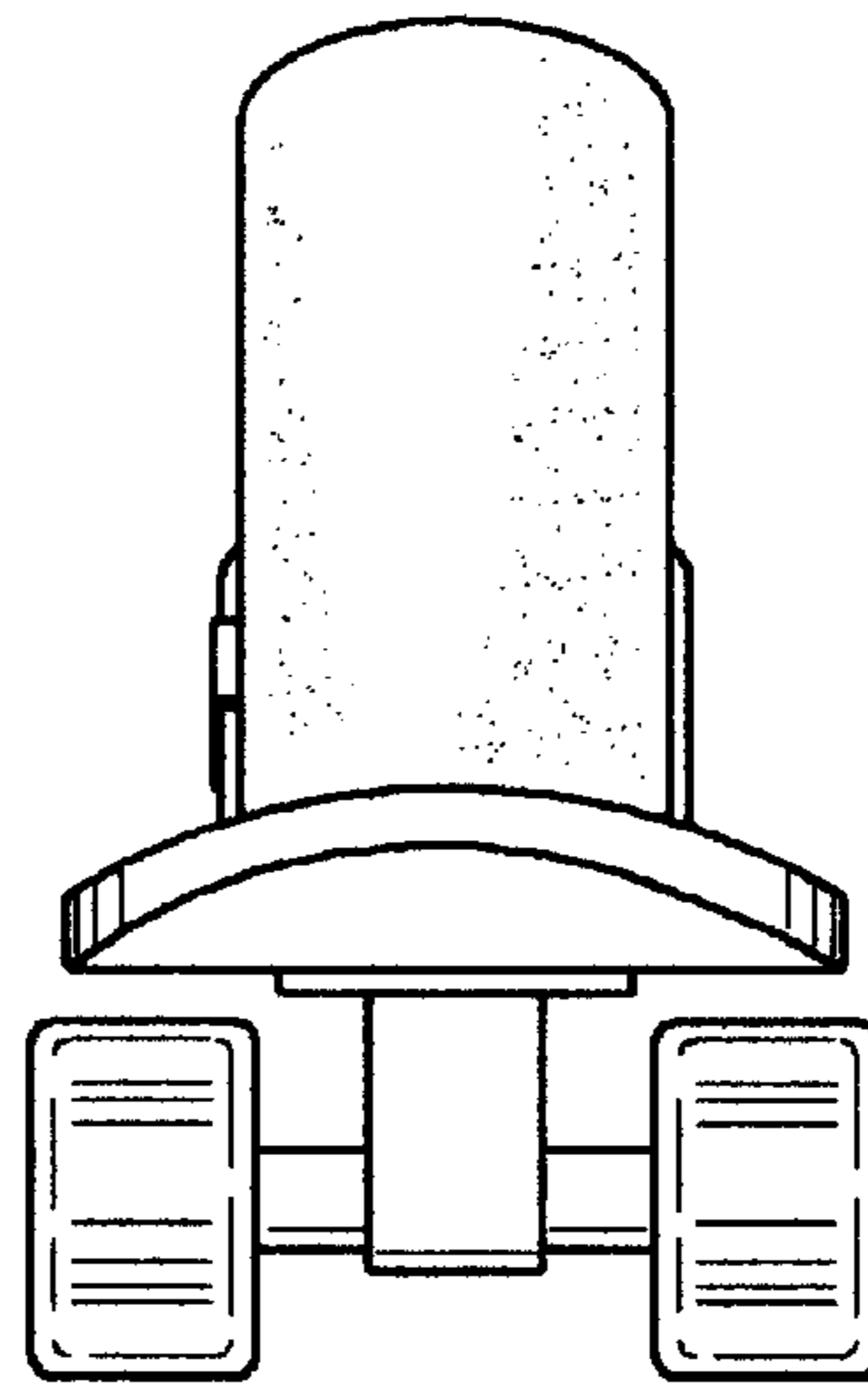


FIG.4

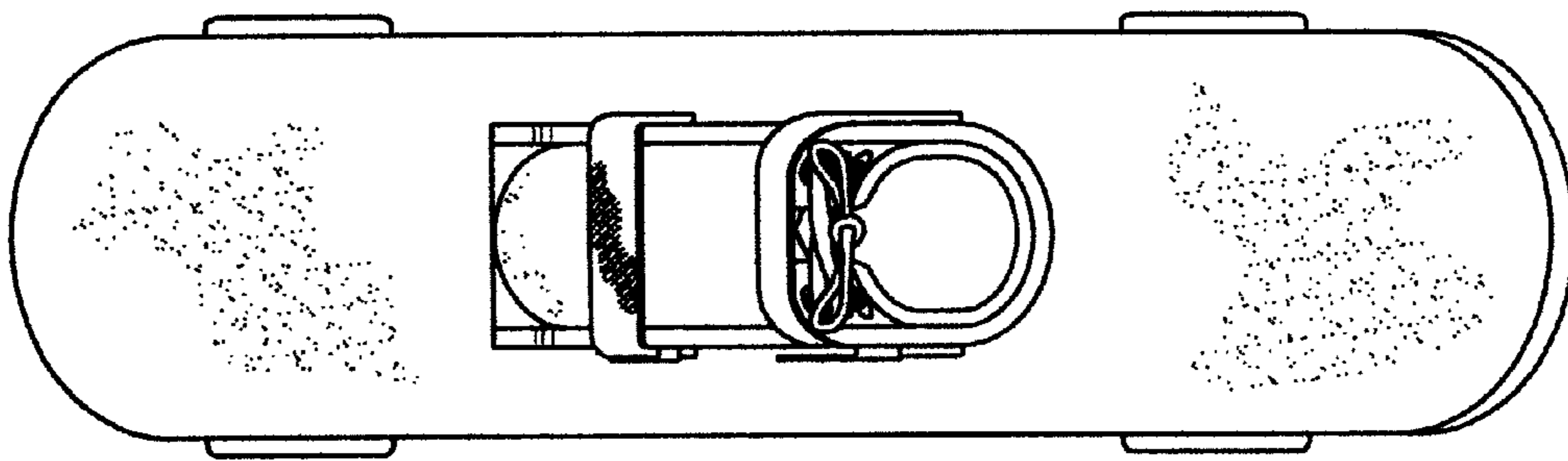


FIG. 5

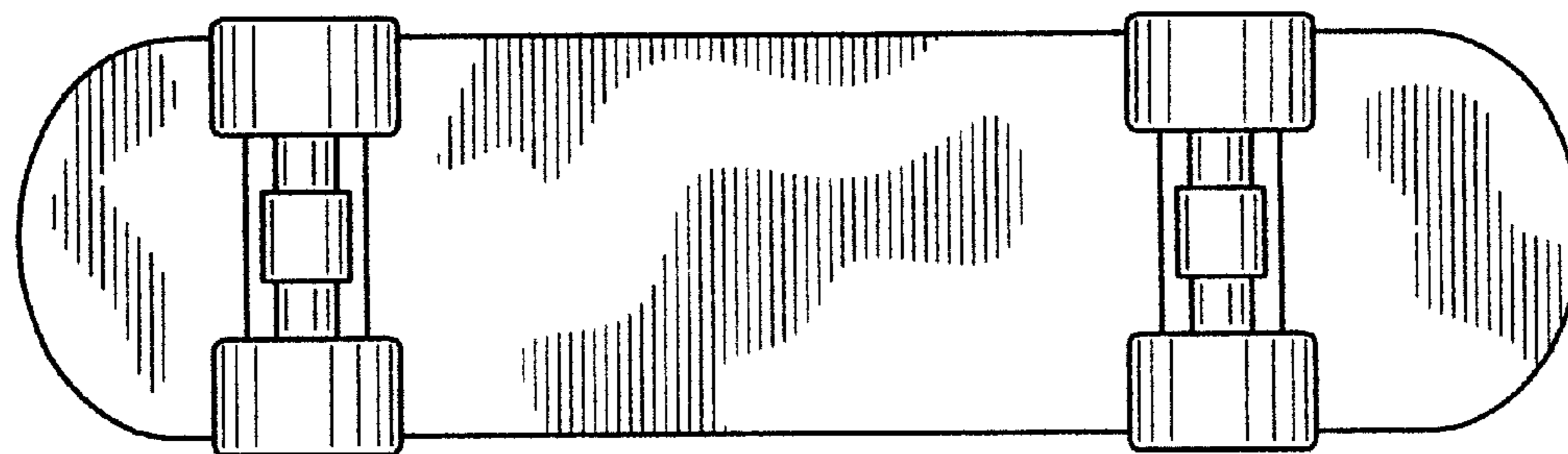


FIG. 6