



US00D530764S

(12) **United States Design Patent** (10) **Patent No.:** **US D530,764 S**
Frame et al. (45) **Date of Patent:** **** Oct. 24, 2006**

(54) **PUTTER INSERT**

(75) Inventors: **Nicholas Frame**, Vista, CA (US);
Stephen Kraus, San Diego, CA (US);
Maresala Milo, San Diego, CA (US);
Jose Mirafior, Oceanside, CA (US);
Bret H. Wahl, Escondido, CA (US);
Michael Walker, Vista, CA (US)

(73) Assignee: **Taylor Made Golf Company, Inc.**,
Carlsbad, CA (US)

(**) Term: **14 Years**

(21) Appl. No.: **29/241,309**

(22) Filed: **Oct. 25, 2005**

(51) **LOC (8) Cl.** **21-02**

(52) **U.S. Cl.** **D21/759; D21/738**

(58) **Field of Classification Search** **D21/736-746,**
D21/759; 473/324-331, 251-256, 340, 341
See application file for complete search history.

(56) **References Cited**

U.S. PATENT DOCUMENTS

D425,591 S * 5/2000 Drossos D21/743
D435,072 S * 12/2000 Jaeckel D21/738
D444,835 S 7/2001 Wahl et al.

D458,331 S 6/2002 Wahl et al.
D478,142 S 8/2003 Toulon et al.
D488,200 S 4/2004 Olsavsky et al.
6,929,564 B1 8/2005 Olsavsky et al.
2005/0130764 A1 6/2005 Frame

* cited by examiner

Primary Examiner—Mitchell Siegel

(74) *Attorney, Agent, or Firm*—Klarquist Sparkman, LLP

(57) **CLAIM**

We claim the ornamental design for a putter insert, as shown and described.

DESCRIPTION

FIG. 1 is a perspective view of a putter insert, as viewed from the front, top, and one side thereof, according to one embodiment.

FIG. 2 is a front elevation view of the putter insert of FIG. 1.

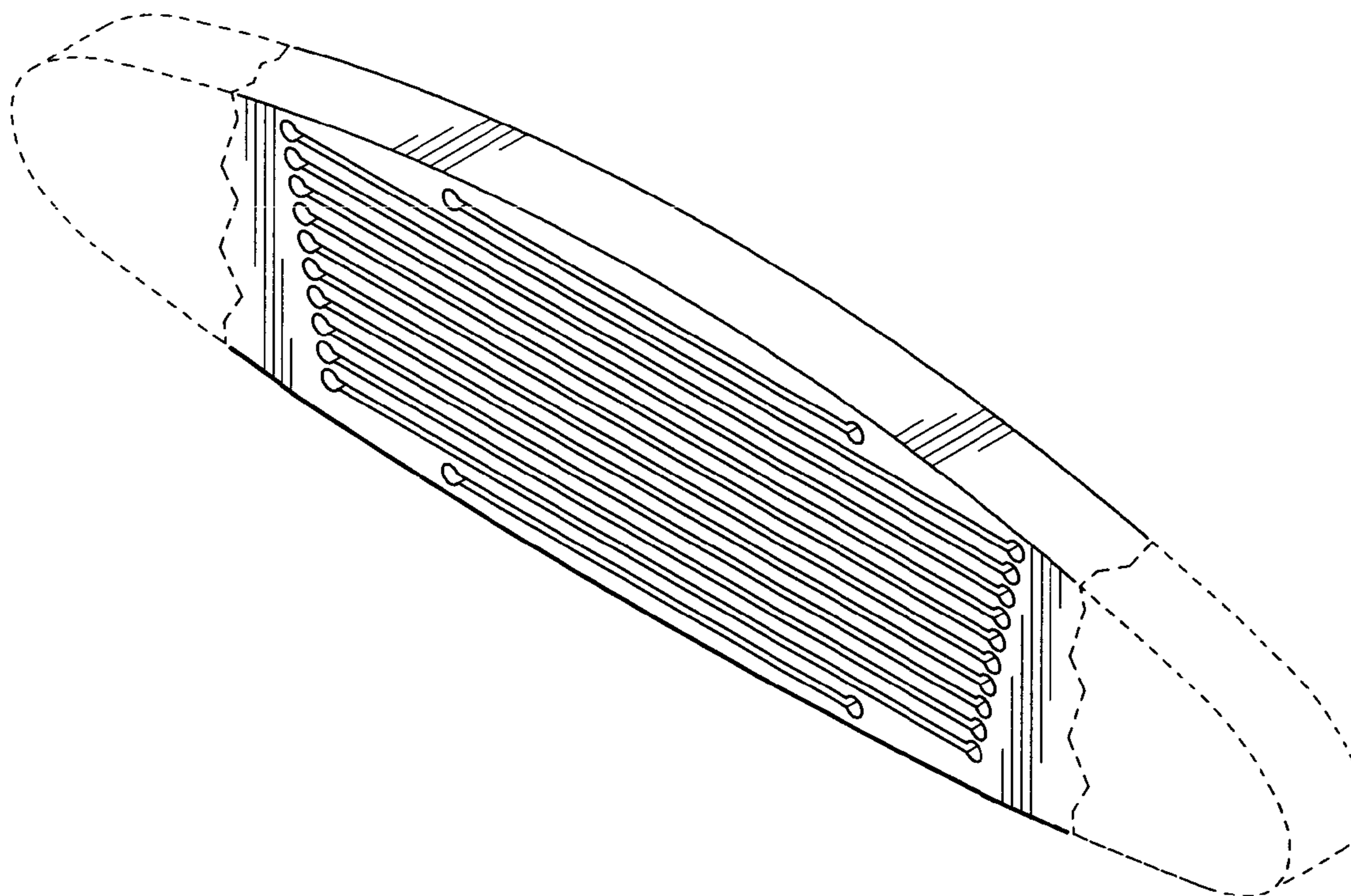
FIG. 3 is a top plan view of the putter insert of FIG. 1.

FIG. 4 is a bottom plan view of the putter insert of FIG. 1; and,

FIG. 5 is a rear elevation view of the putter insert of FIG. 1.

The dashed lines in the drawings are for illustrative purposes only and form no part of the claimed design.

1 Claim, 2 Drawing Sheets



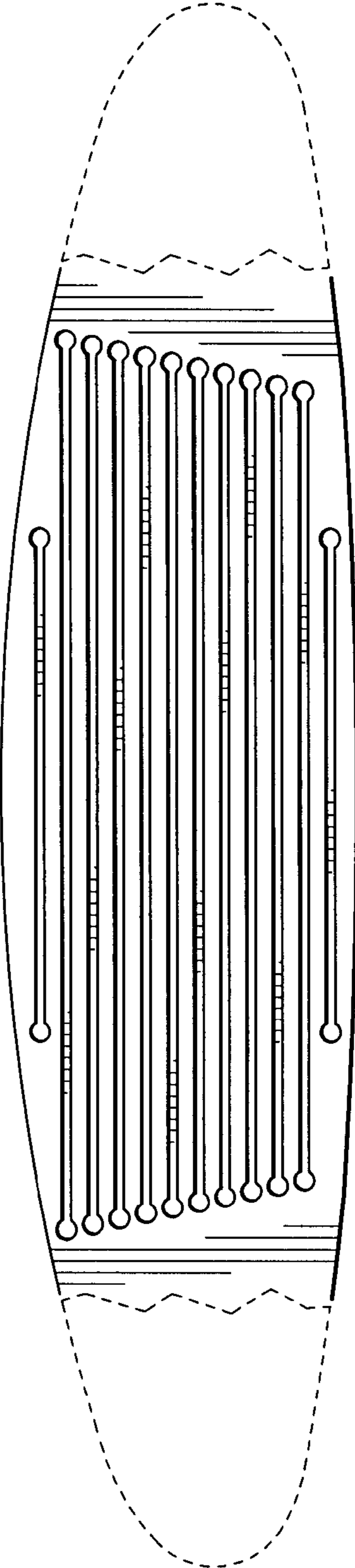
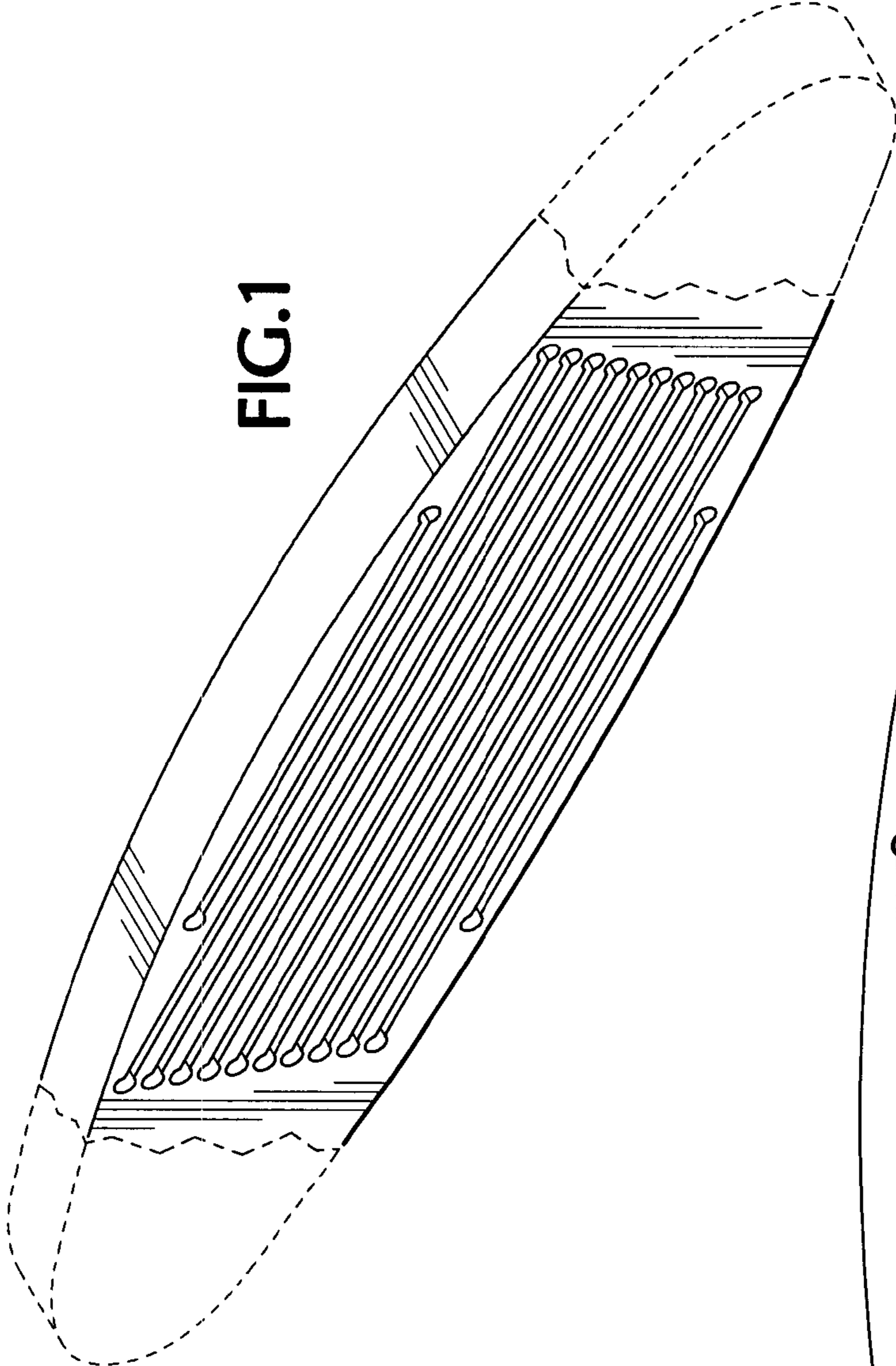




FIG. 3



FIG. 4

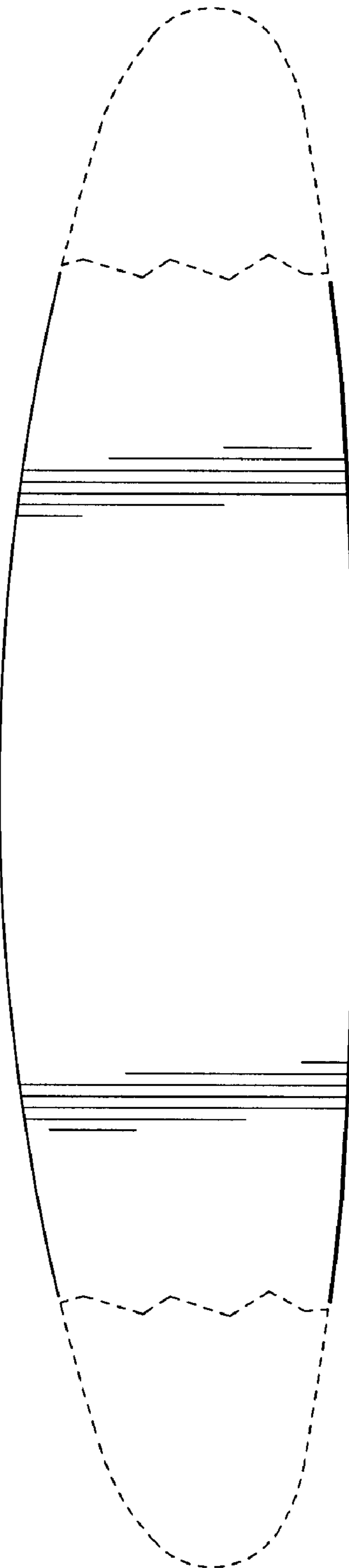


FIG. 5