



US00D530758S

(12) **United States Design Patent**
Kim

(10) **Patent No.:** **US D530,758 S**

(45) **Date of Patent:** **** Oct. 24, 2006**

(54) **ELLIPTICAL CROSS TRAINER**
(75) Inventor: **Gi-Hong Kim**, Seoul (KR)
(73) Assignee: **Motus Co., Ltd.**, Goyang (KR)
(**) Term: **14 Years**

D398,672 S * 9/1998 Sands et al. D21/663
5,823,914 A * 10/1998 Chen 482/51
6,007,462 A * 12/1999 Chen 482/57
D449,356 S * 10/2001 Arnold et al. D21/668
D459,773 S * 7/2002 Hsiung D21/668
D464,688 S * 10/2002 May et al. D21/668

* cited by examiner

(21) Appl. No.: **29/229,010**
(22) Filed: **May 3, 2005**
(30) **Foreign Application Priority Data**

Mar. 7, 2005 (KR) 30-2005-0007400

(51) **LOC (8) Cl.** **21-02**
(52) **U.S. Cl.** **D21/668**
(58) **Field of Classification Search** D21/662,
D21/668, 669, 670, 665; 482/51, 52, 53,
482/57, 70
See application file for complete search history.

Primary Examiner—Philip S. Hyder
(74) *Attorney, Agent, or Firm*—Stein, McEwen & Bui, LLP

(57) **CLAIM**

The ornamental design for an elliptical cross trainer, as shown.

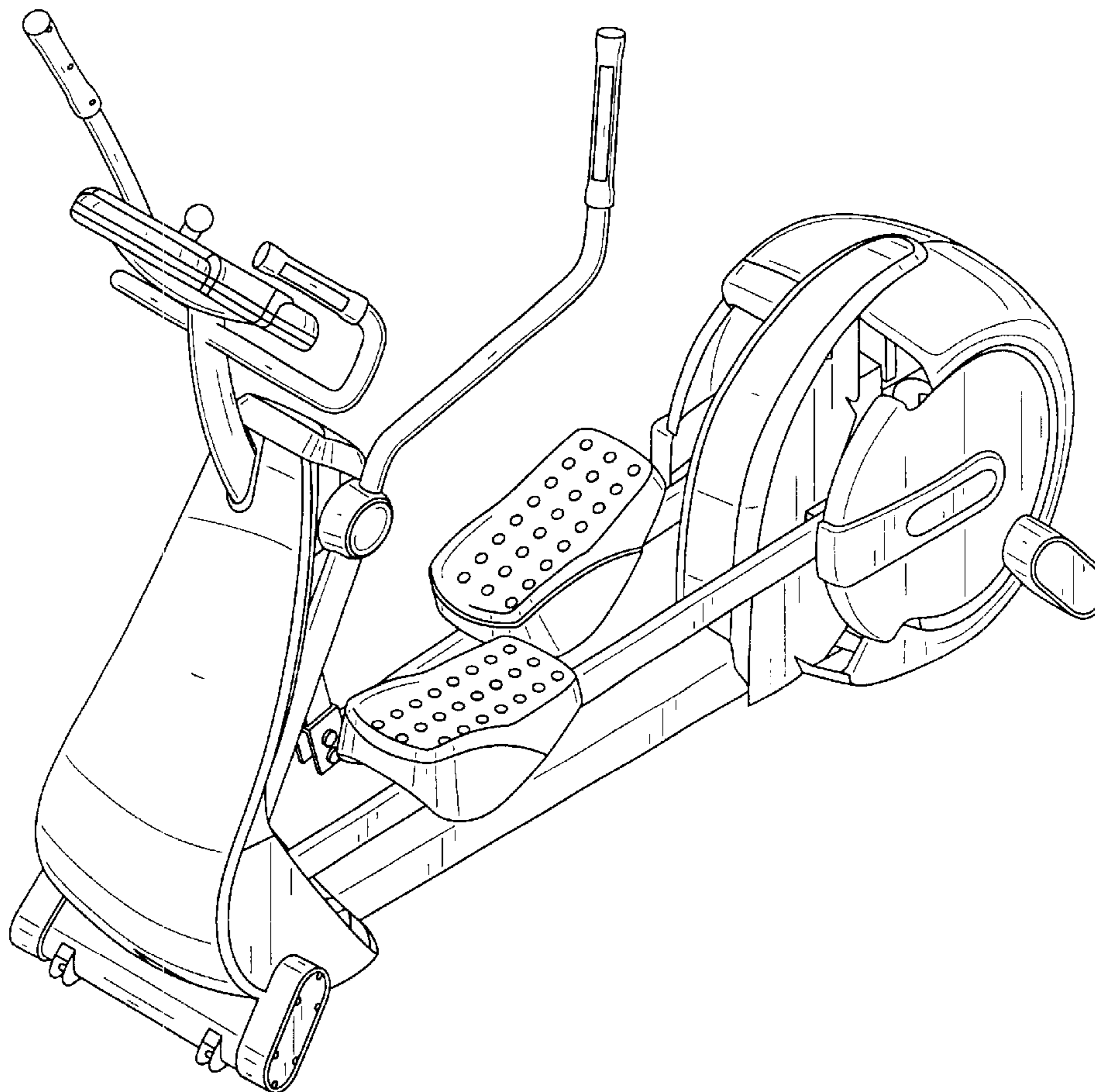
DESCRIPTION

FIG. 1 is a perspective view of the elliptical cross trainer of the present invention;
FIG. 2 is a front elevation view thereof;
FIG. 3 is a rear elevation view thereof;
FIG. 4 is a left side elevation view thereof;
FIG. 5 is a right side elevation view thereof;
FIG. 6 is a top plan view thereof; and,
FIG. 7 is a bottom plan view thereof.

(56) **References Cited**
U.S. PATENT DOCUMENTS

5,746,683 A * 5/1998 Lee 482/57
5,782,722 A * 7/1998 Sands et al. 482/52

1 Claim, 7 Drawing Sheets



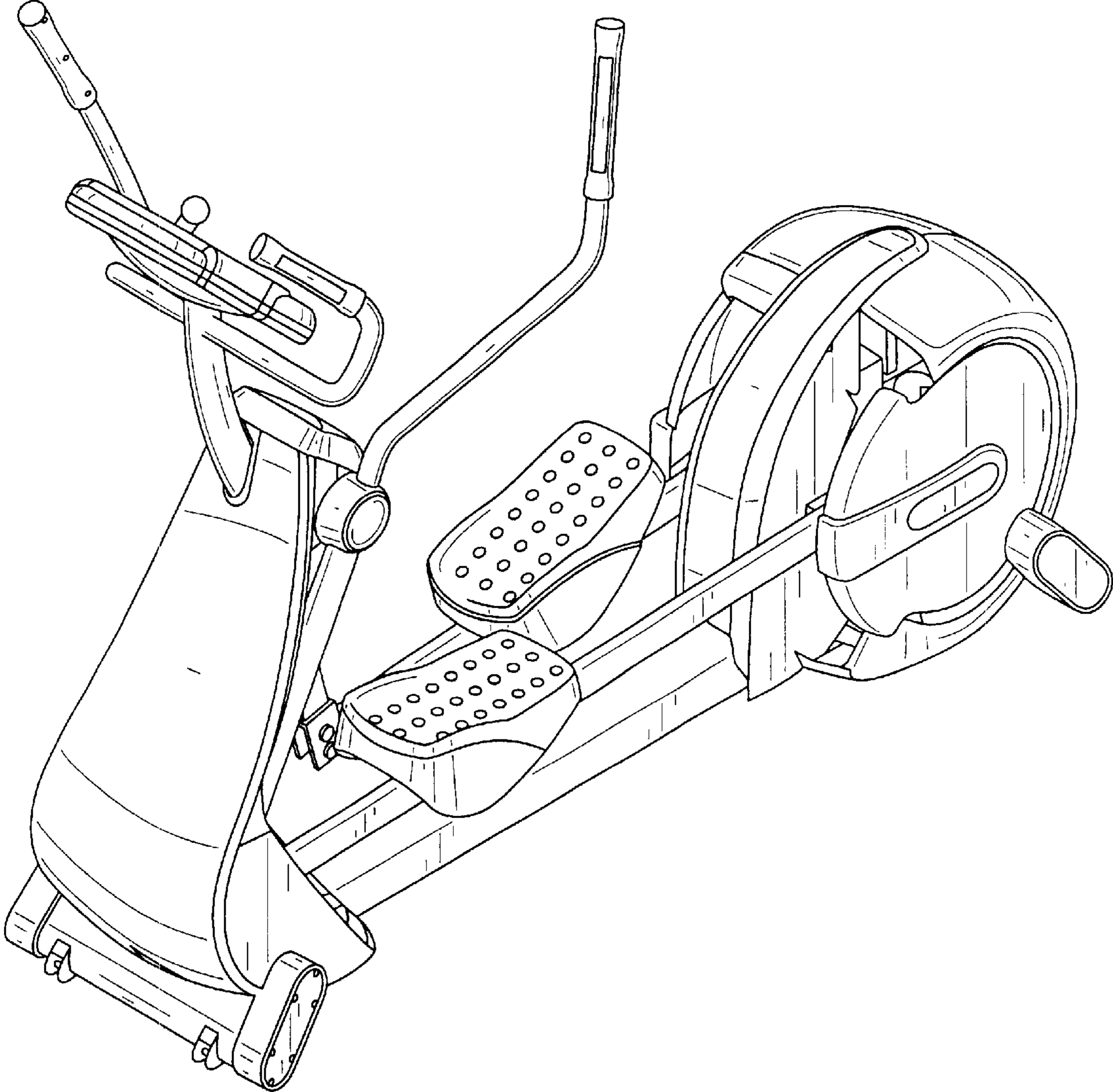


FIG. 1

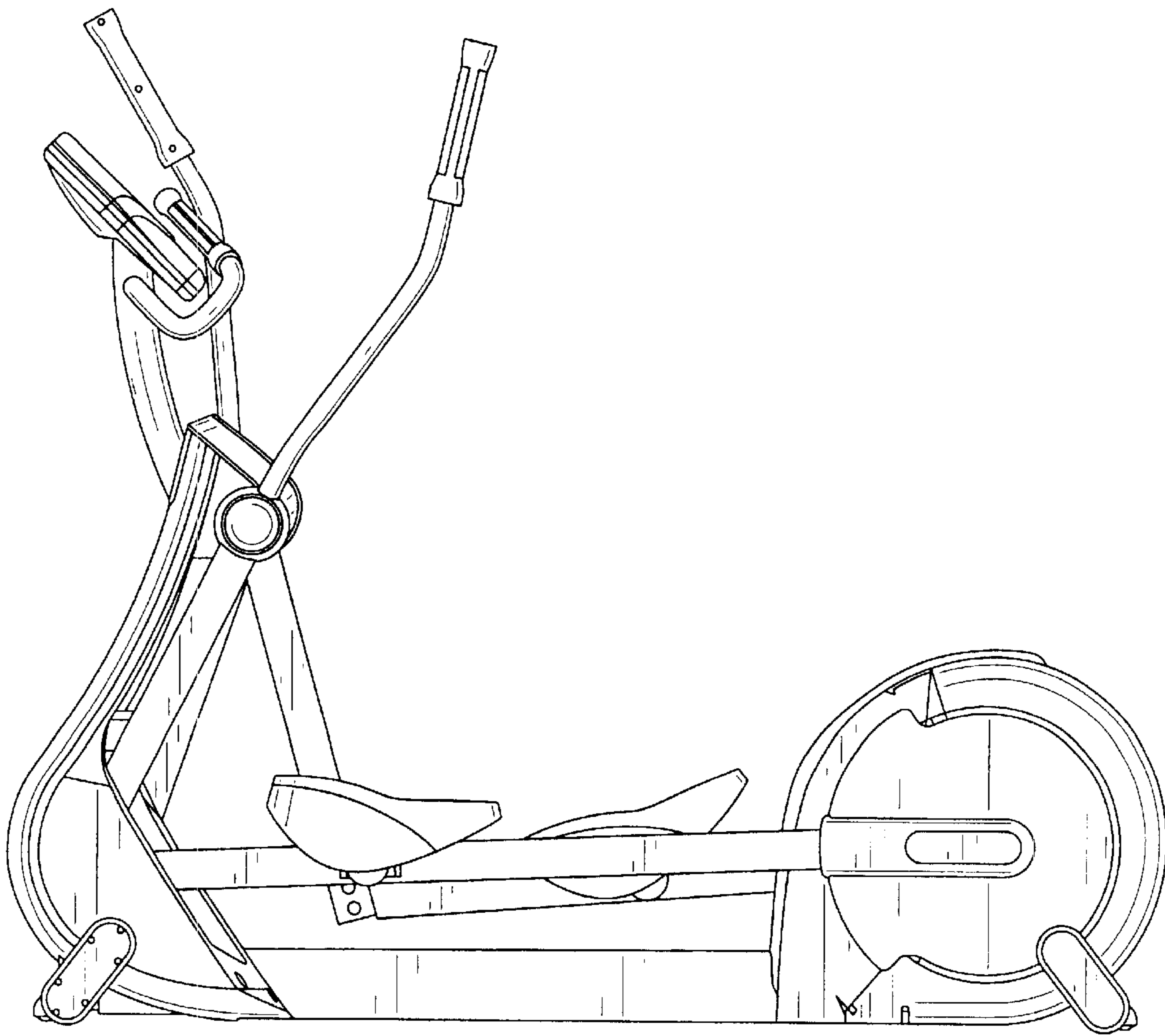


FIG. 2

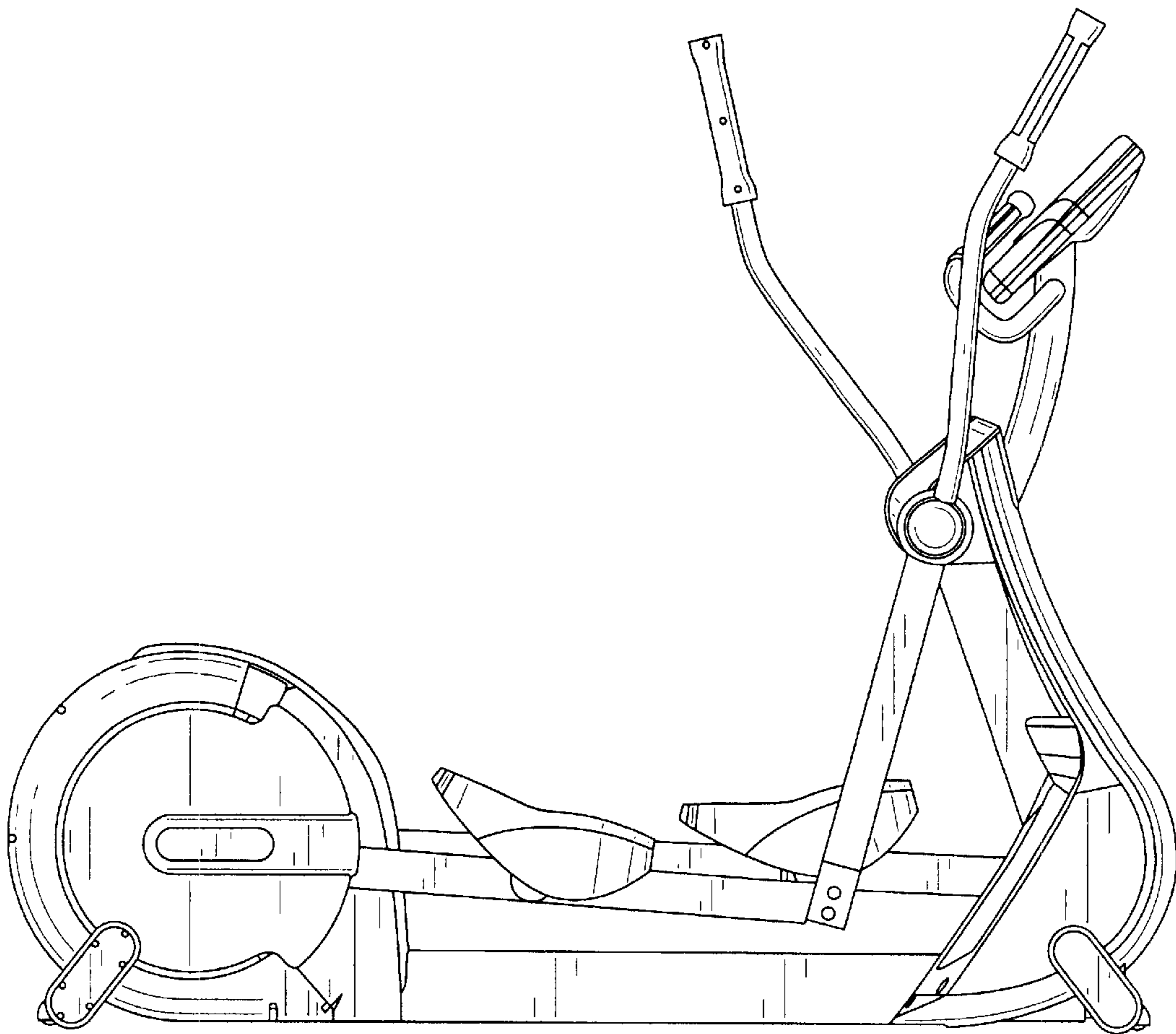


FIG. 3

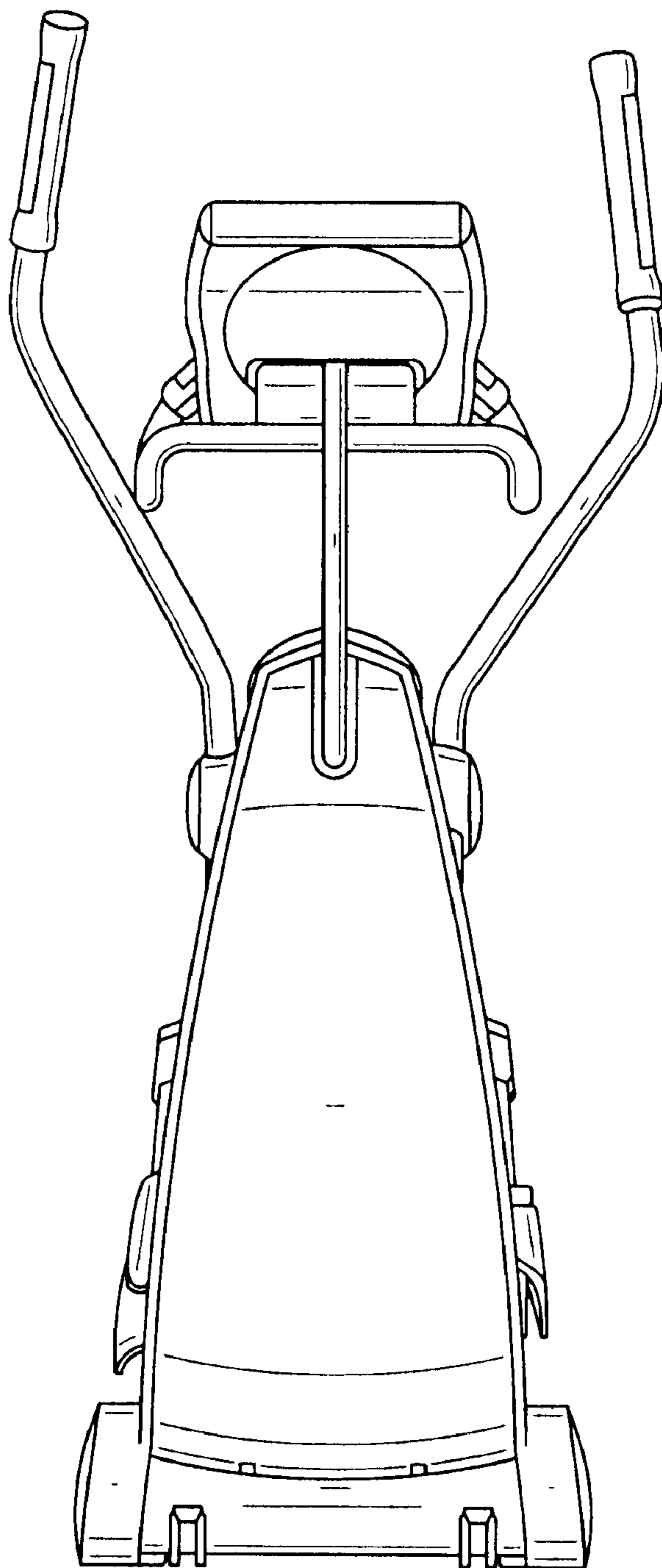


FIG. 4

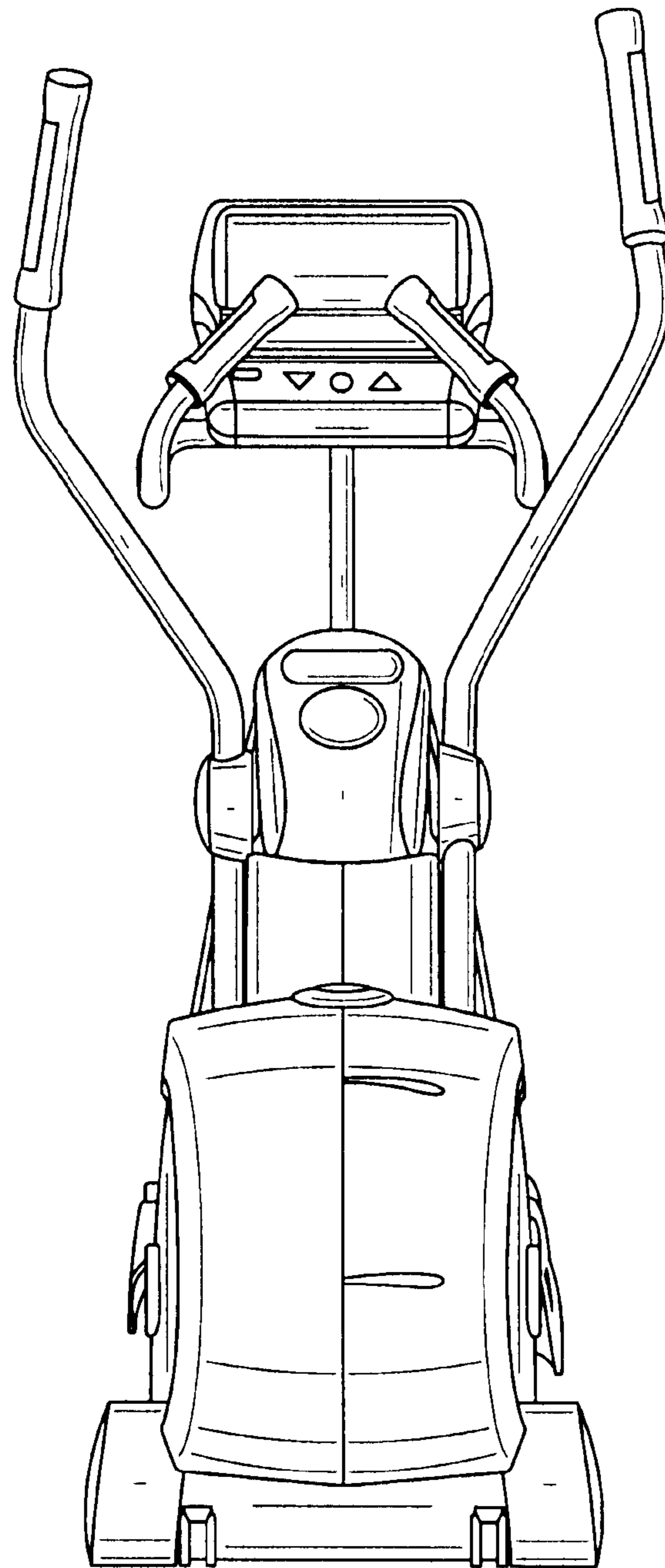


FIG. 5

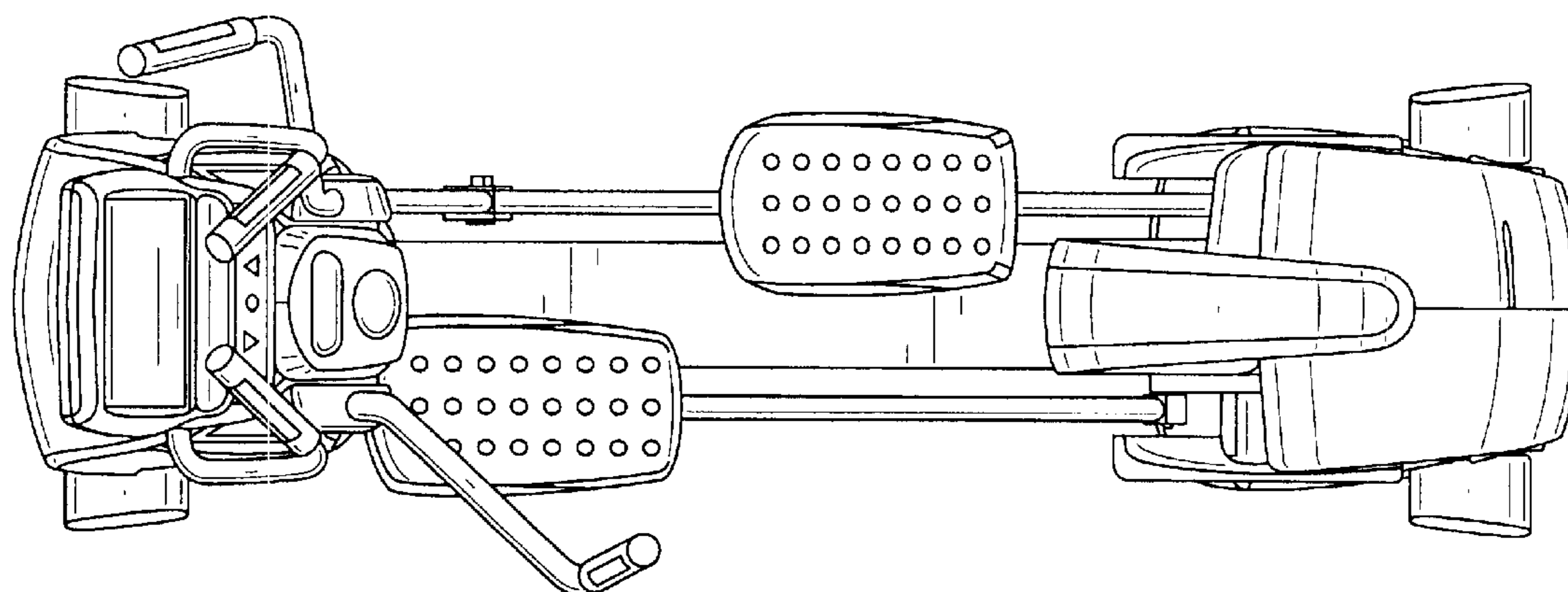


FIG. 6

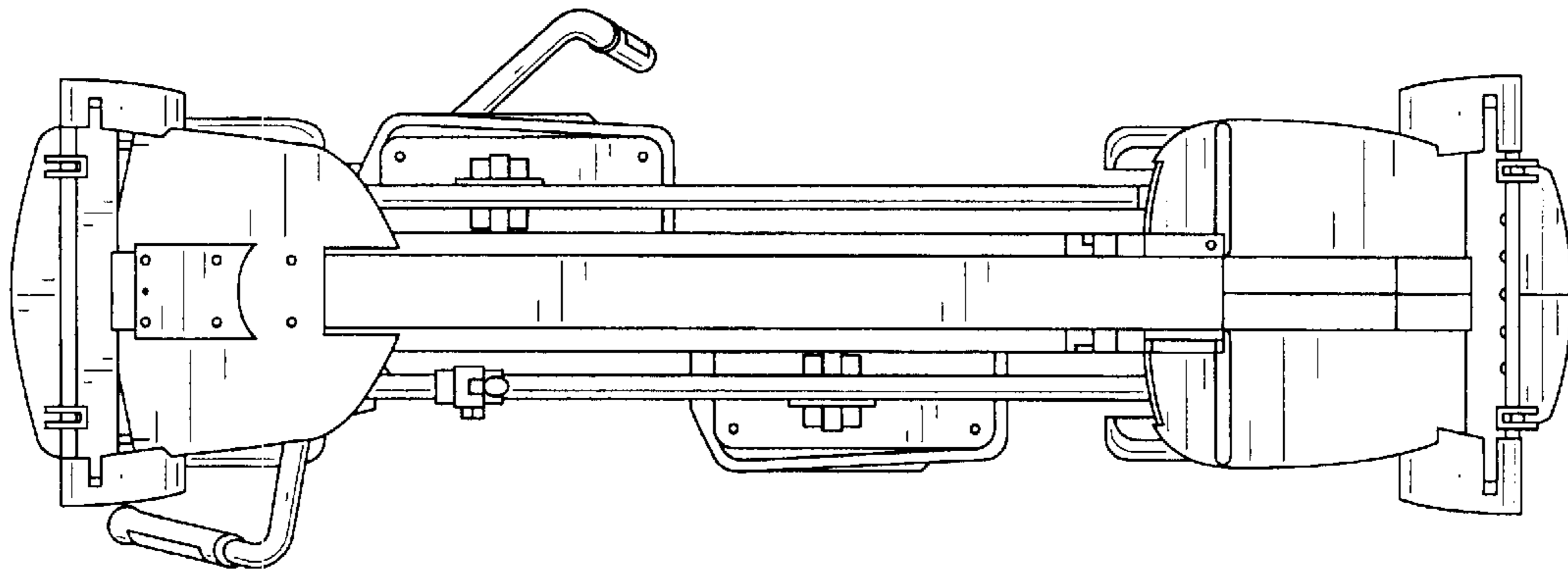


FIG. 7