

US00D530757S

(12) **United States Design Patent**
Jones

(10) **Patent No.:** **US D530,757 S**
(45) **Date of Patent:** **** Oct. 24, 2006**

- (54) **WHEEL FOR A TOY VEHICLE**
- (75) Inventor: **Mark Jones**, Whittier, OR (US)
- (73) Assignee: **Mattel, Inc.**, El Segundo, CA (US)
- (**) Term: **14 Years**
- (21) Appl. No.: **29/226,839**
- (22) Filed: **Mar. 31, 2005**
- (51) **LOC (8) Cl.** **21-01**
- (52) **U.S. Cl.** **D21/563**
- (58) **Field of Classification Search** D21/423,
D21/563, 779; 180/194; 280/836, 11.19,
280/11.221, 11.222, 11.226, 11.227, 11.24,
280/11.25, 29, 205; 301/5.1, 5.301, 95.101;
446/78, 95; D12/88, 500, 501, 604, 209
See application file for complete search history.

(56) **References Cited**

U.S. PATENT DOCUMENTS

- 4,197,672 A * 4/1980 Mabuchi et al. 446/456
- D421,083 S * 2/2000 Chen D21/779
- D439,285 S * 3/2001 Chen et al. D21/563
- D444,527 S * 7/2001 Patel D21/779

- D448,826 S * 10/2001 Galy D21/779
- D466,174 S * 11/2002 Neumann D21/779
- D480,436 S * 10/2003 Hong D21/423
- 2004/0063384 A1 * 4/2004 Hui 446/465

* cited by examiner

Primary Examiner—Holly Baynham
Assistant Examiner—Cynthia M. Chin

(74) *Attorney, Agent, or Firm*—Alleman Hall McCoy
Russell & Tuttle LLP

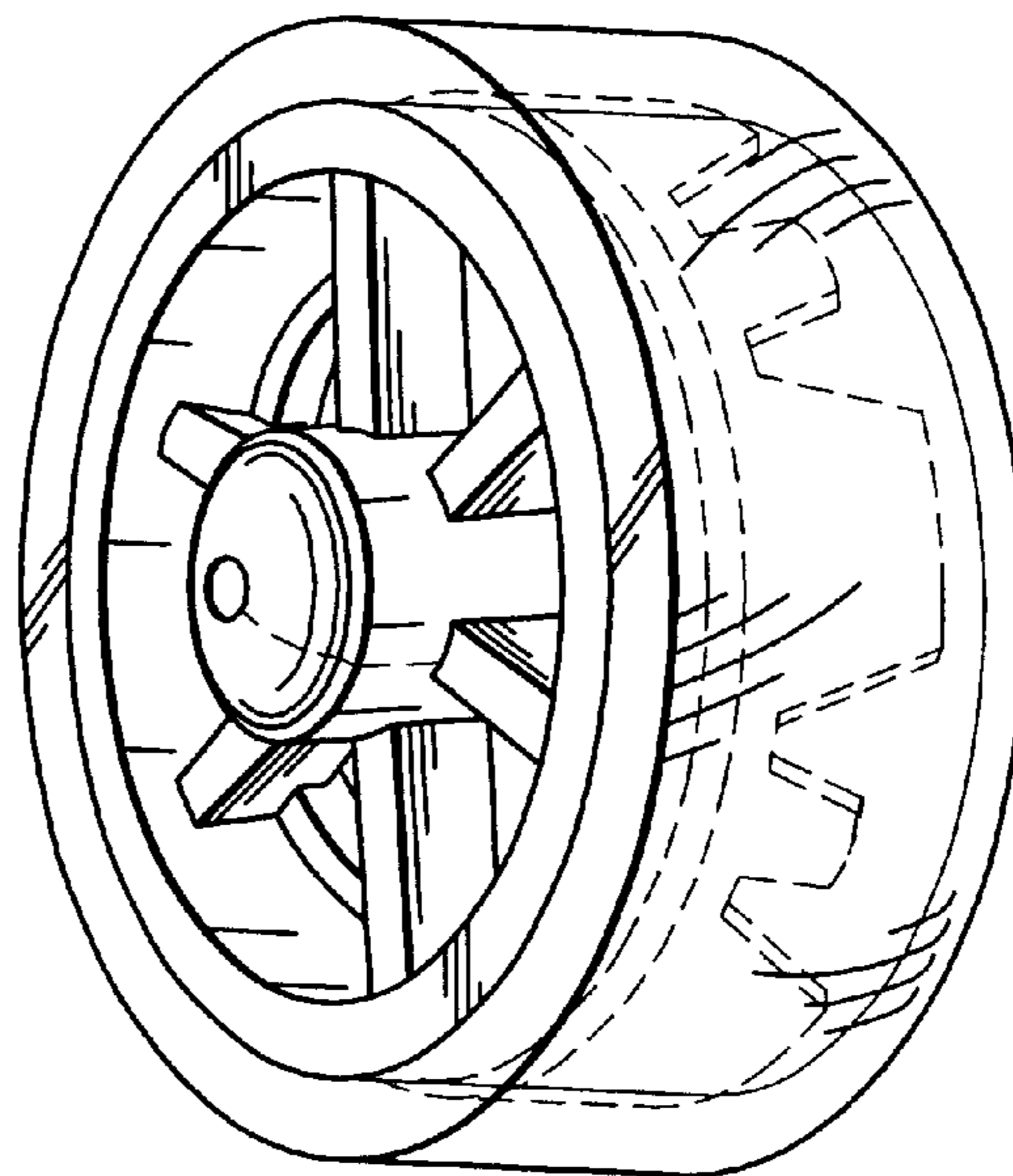
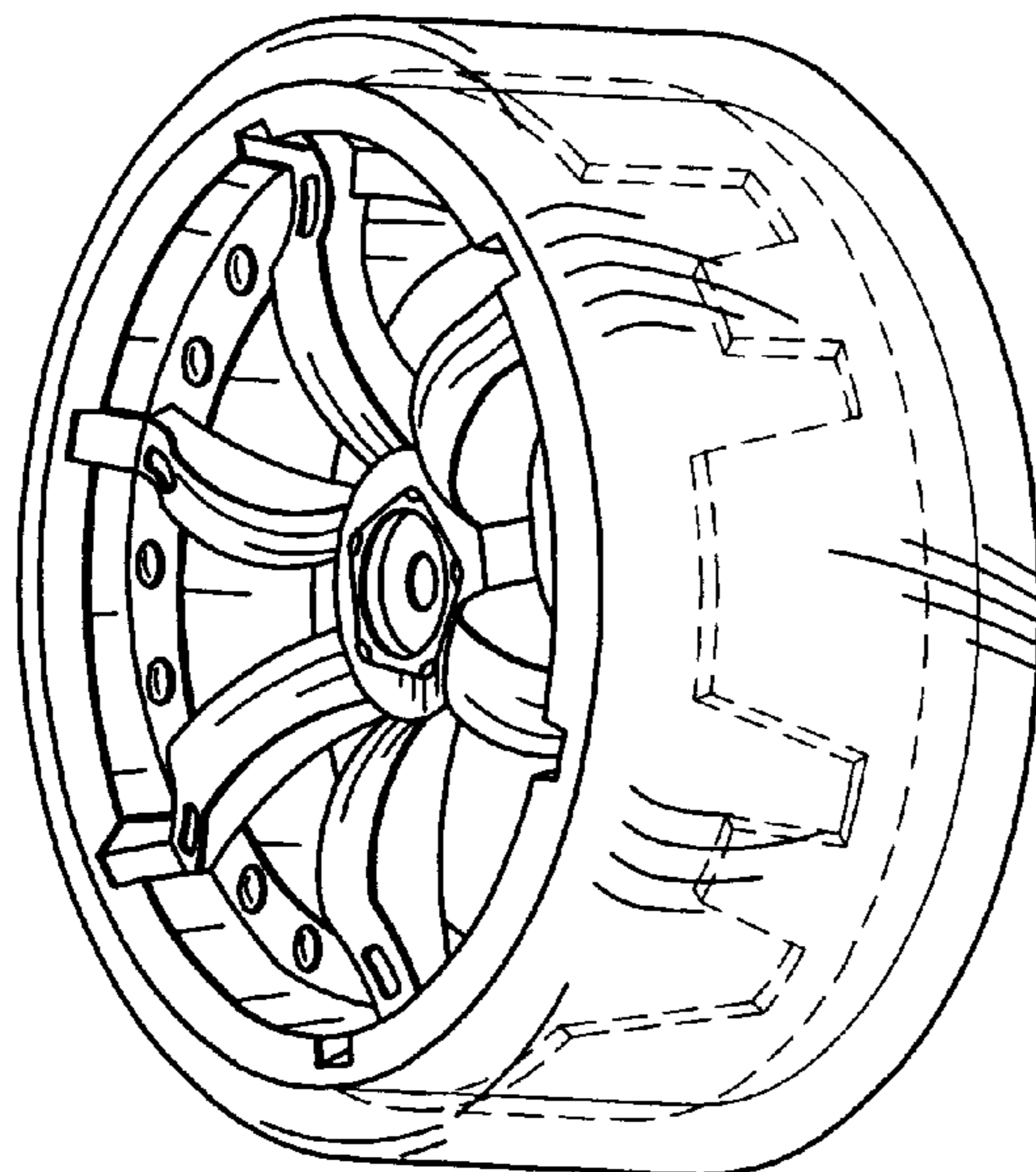
(57) **CLAIM**

The ornamental design for a wheel for a toy vehicle, as shown and described.

DESCRIPTION

FIG. 1 is a front perspective view of a wheel for a toy vehicle; and,
FIG. 2 is a rear perspective view thereof.
The broken or dashed lines shown in the drawings are for illustrative purposes only and form no part of the claimed design.
The shading lines shown in the drawings represent the approximate three-dimensional contour of the design, and are not intended to indicate surface decoration.

1 Claim, 1 Drawing Sheet



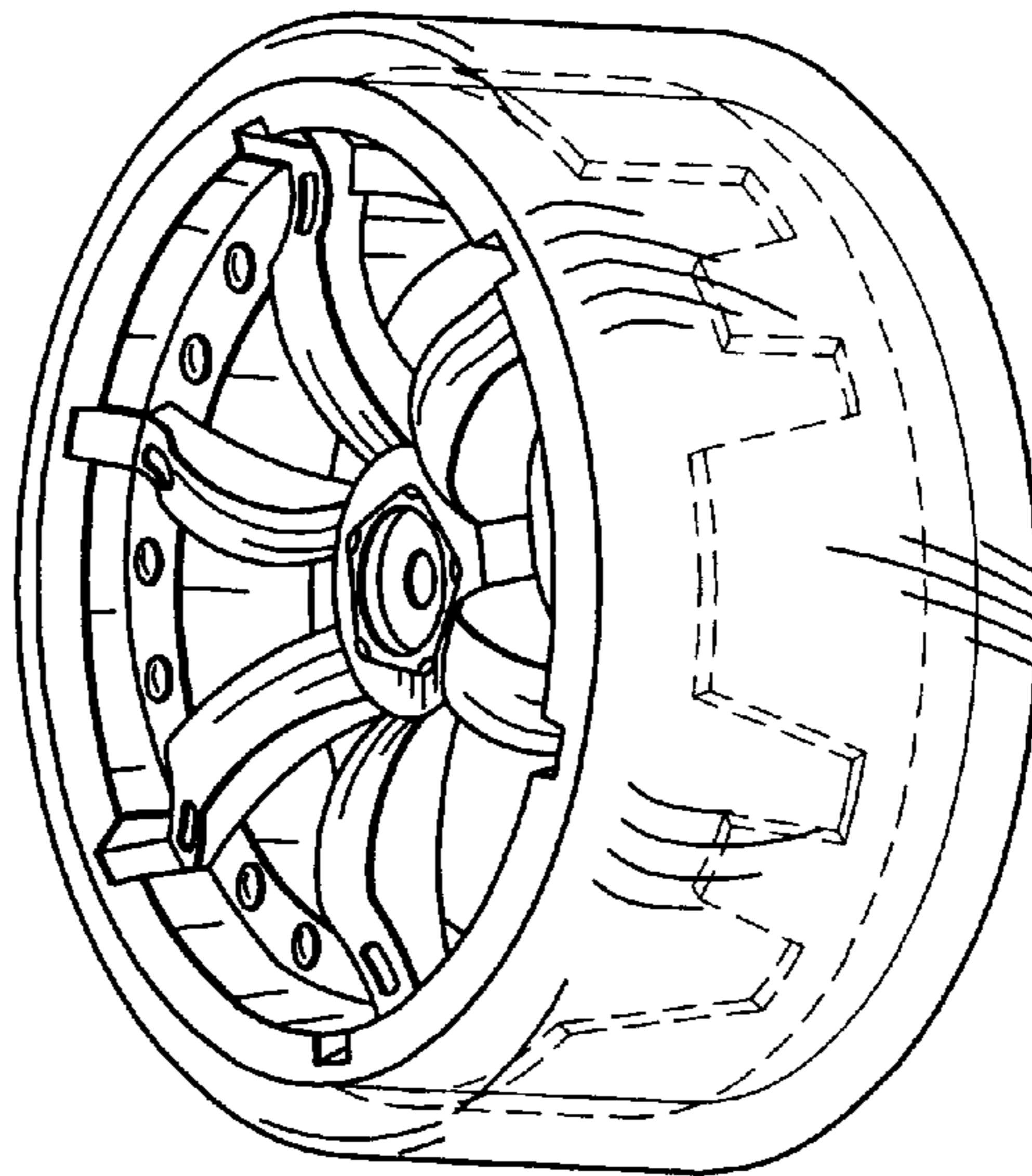


FIG. 1

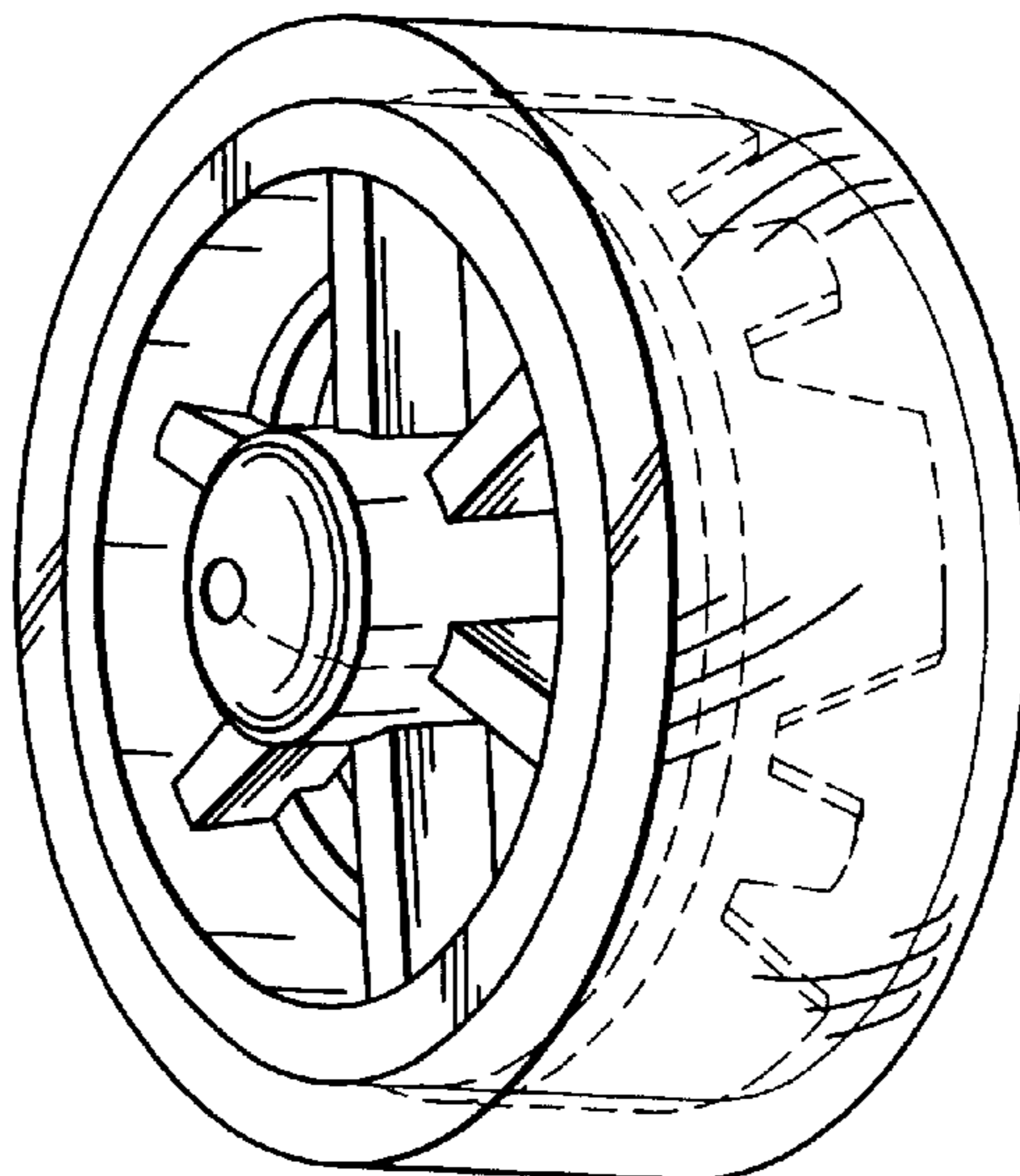


FIG. 2