

US00D530750S

(12) **United States Design Patent**  
**Aurelia et al.**

(10) **Patent No.:** **US D530,750 S**

(45) **Date of Patent:** **\*\* Oct. 24, 2006**

(54) **VENDING MACHINE DOOR**

(75) Inventors: **Jason S. Aurelia**, Atlanta, GA (US); **A. Ray Morgan, Jr.**, Atlanta, GA (US); **Eddie W. King**, Atlanta, GA (US); **Christopher W. GLupker**, Van Nuys, CA (US); **Lance G. Hussey**, Simi Valley, CA (US); **Ravi K. Sawhney**, Calabasas, CA (US)

(73) Assignee: **The Coca-Cola Company**, Atlanta, GA (US)

(\*\*) Term: **14 Years**

(21) Appl. No.: **29/230,410**

(22) Filed: **May 20, 2005**

(51) **LOC (8) Cl.** ..... **20-01**

(52) **U.S. Cl.** ..... **D20/8**

(58) **Field of Classification Search** ..... D20/1, D20/2, 3, 4, 5, 6, 7, 8, 9, 99; D7/301, 304, D7/305, 307, 308, 312, 313, 398; D23/284; 194/239, 320, 342, 350, 351, 352, 906; 221/92, 221/96, 104, 151, 155, 191, 194; 239/28, 239/29; 700/232

See application file for complete search history.

(56) **References Cited**

**U.S. PATENT DOCUMENTS**

D423,056 S \* 4/2000 Burdette et al. .... D20/8  
D436,133 S \* 1/2001 Osborn et al. .... D20/8  
D441,770 S \* 5/2001 Bardin et al. .... D15/81  
6,584,715 B1 \* 7/2003 Fujii et al. .... 40/584

\* cited by examiner

*Primary Examiner*—Robert M. Spear

(74) *Attorney, Agent, or Firm*—Ivor J. Longo

(57) **CLAIM**

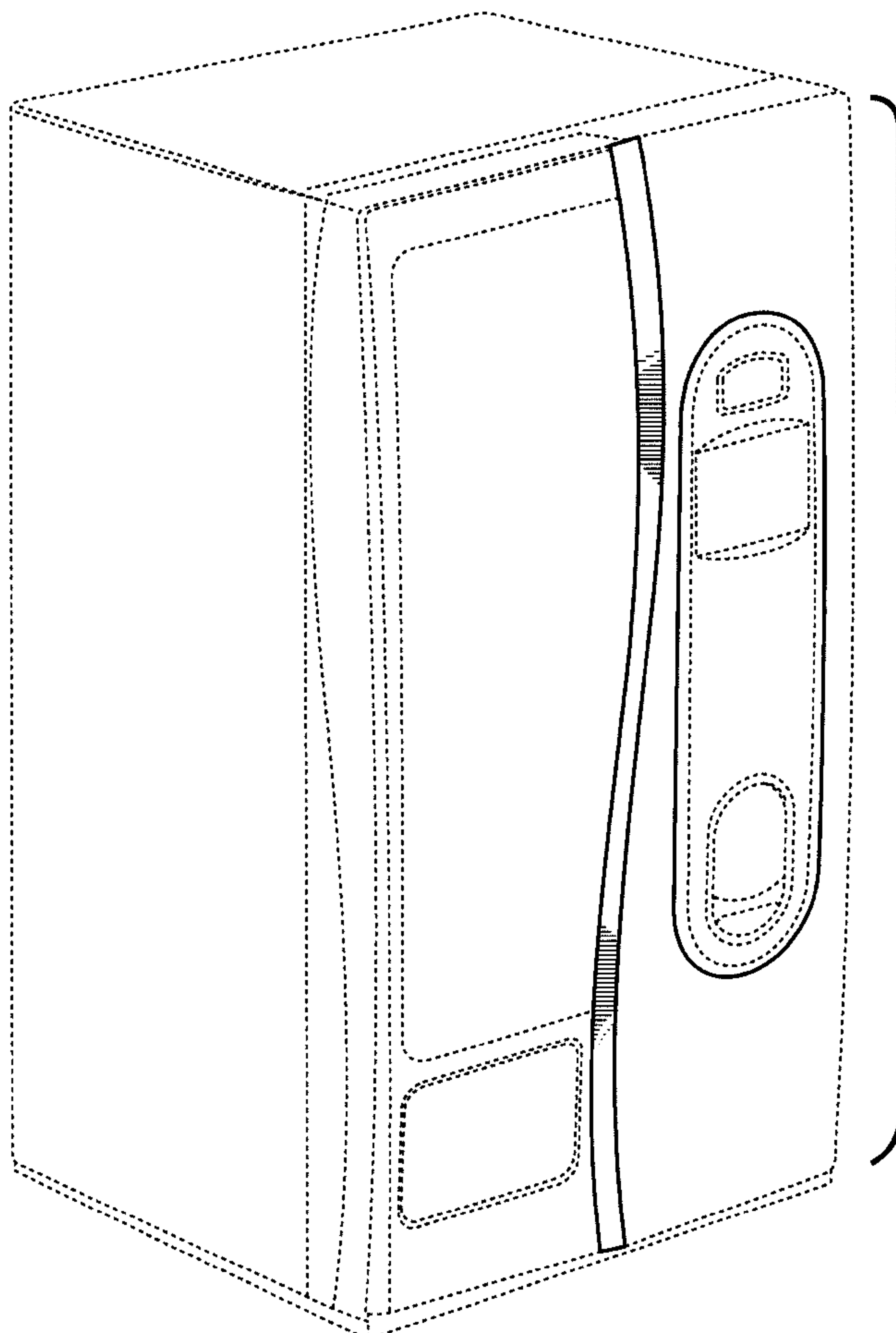
We claim the ornamental design for a vending machine door, as shown and described.

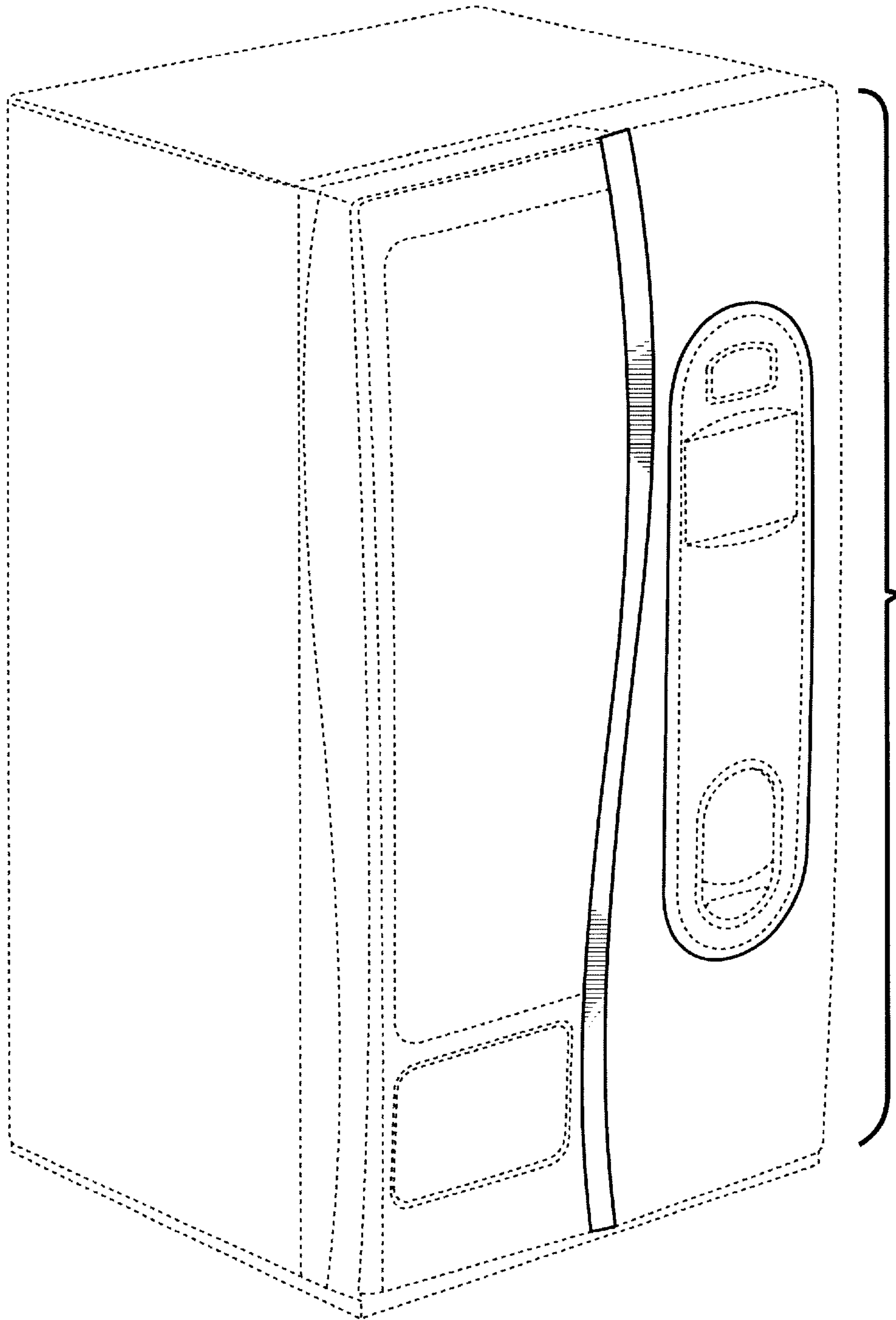
**DESCRIPTION**

FIG. 1 is a top front right side perspective view of a vending machine door showing our new design; FIG. 2 is a right side elevational view thereof; FIG. 3 is a front elevational view thereof; FIG. 4 is a left side elevational view thereof; FIG. 5 is a top plan view thereof; and, FIG. 6 is a bottom plan view thereof.

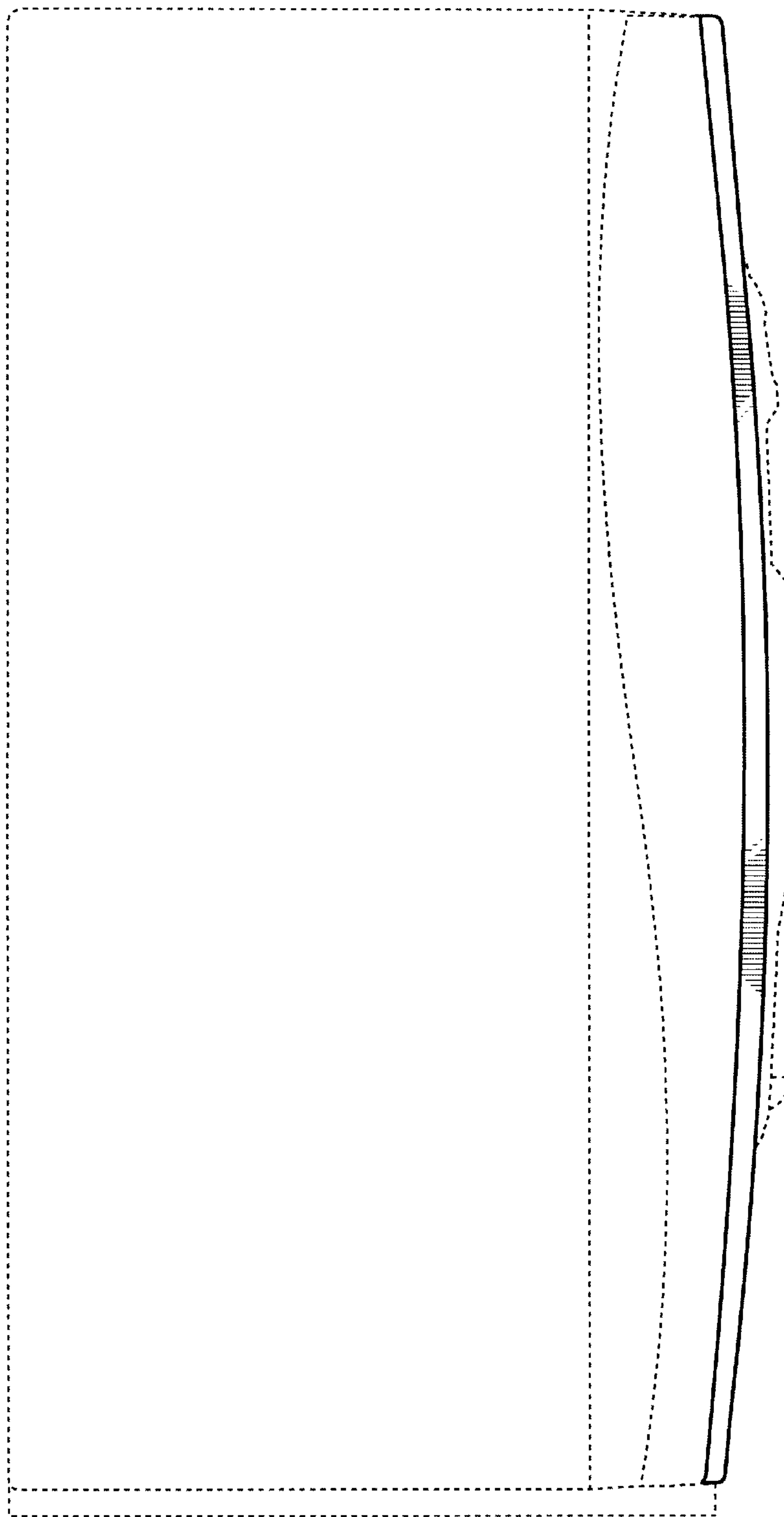
The broken lines in the drawings represent unclaimed environmental subject matter.

**1 Claim, 5 Drawing Sheets**

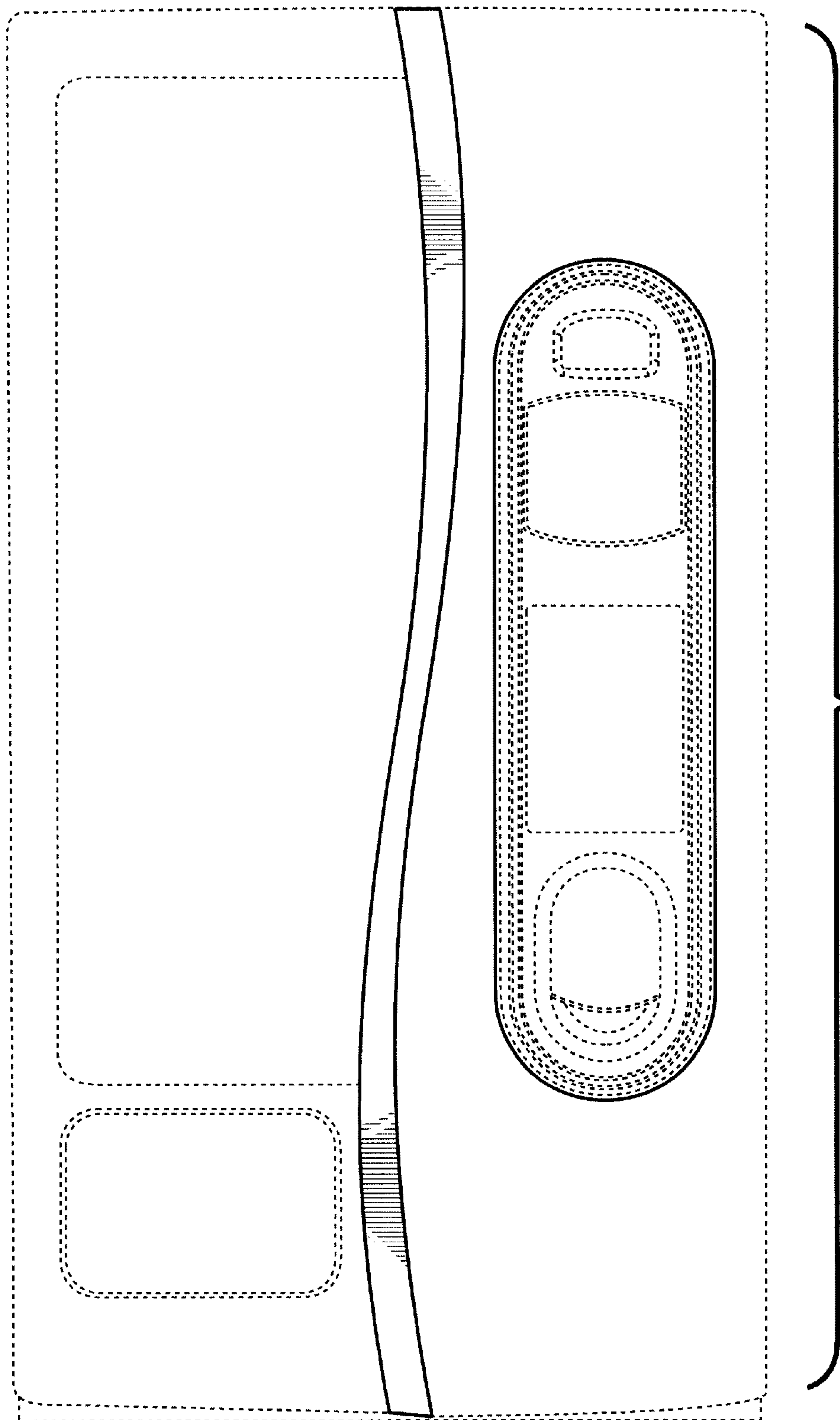




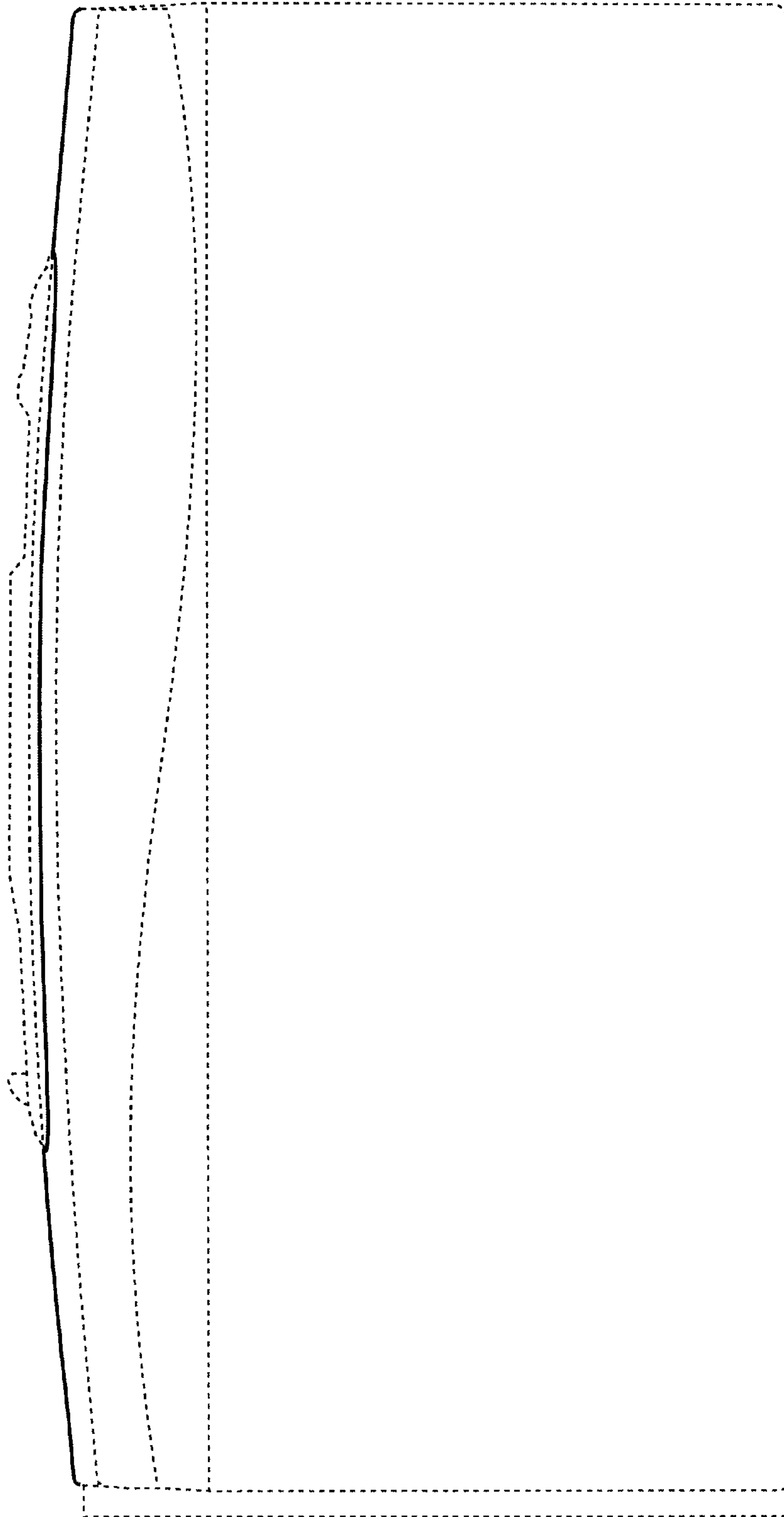
*Fig. 1*



*Fig. 2*

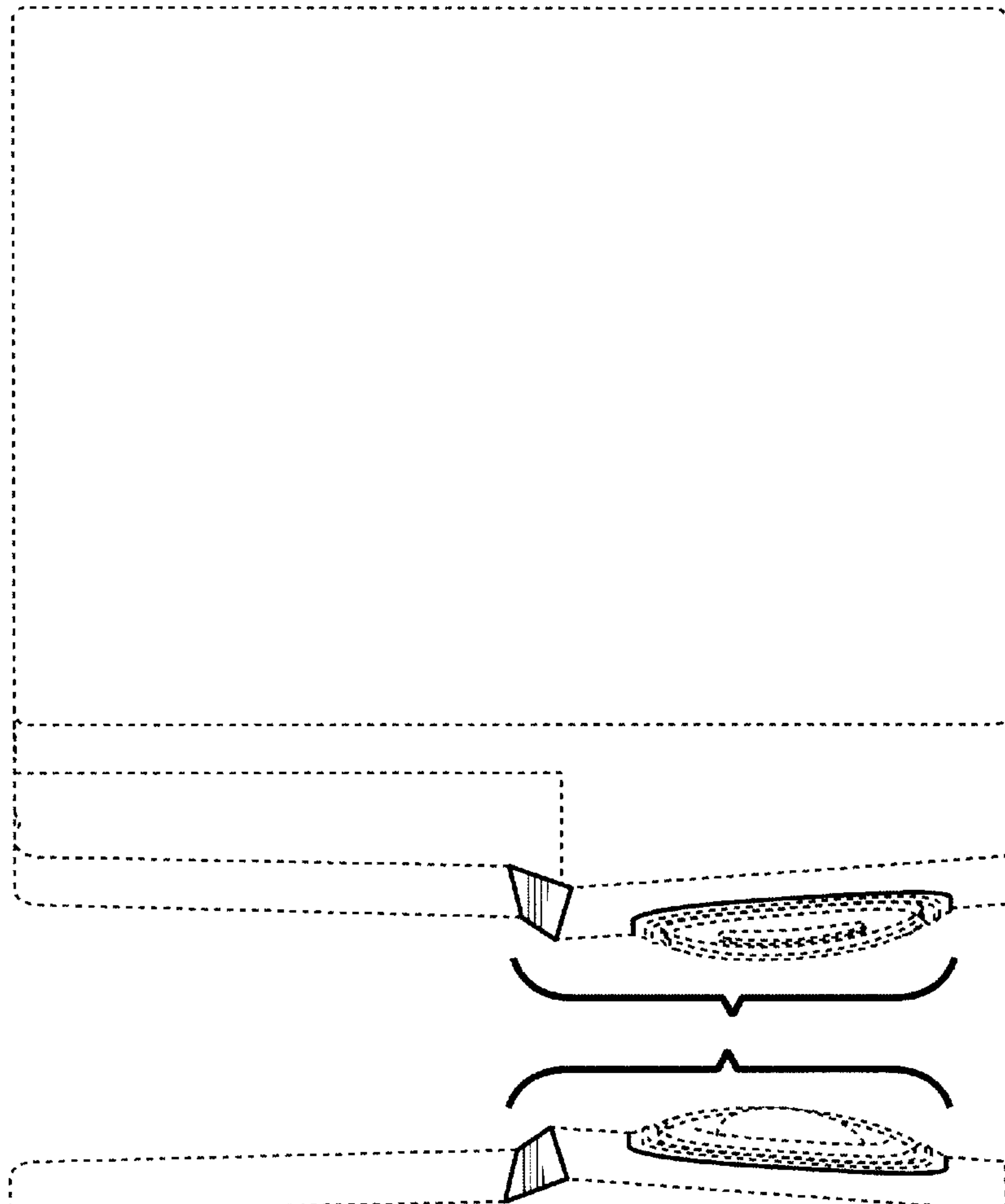


*Fig. 3*



*Fig. 4*

*Fig. 5*



*Fig. 6*

