

US00D530748S

(12) **United States Design Patent**
Kent et al.

(10) **Patent No.:** **US D530,748 S**

(45) **Date of Patent:** **** Oct. 24, 2006**

- (54) **WRITING UTENSIL CAP**
- (75) Inventors: **Michael Kent**, Cumberland, RI (US);
Gregory Hoffmann, Redding, CT (US)
- (73) Assignee: **Staples the Office Superstore, LLC**,
Framingham, MA (US)
- (**) Term: **14 Years**

5,599,127 A	*	2/1997	Fuhrmann et al.	401/202
D379,372 S	*	5/1997	Young	D19/49
D383,780 S	*	9/1997	Young	D19/49
D389,863 S	*	1/1998	Nguyen	D19/48
D391,153 S	*	2/1998	Poisson et al.	D19/48
D401,280 S	*	11/1998	Chevalier et al.	D19/57
D402,312 S	*	12/1998	Chevalier et al.	D19/57
D424,109 S	*	5/2000	Edgerley et al.	D19/43
D462,718 S	*	9/2002	Kobayashi	D19/57
D469,467 S	*	1/2003	Briggl	D19/51

(21) Appl. No.: **29/229,177**

(22) Filed: **May 4, 2005**

(51) **LOC (8) Cl.** **19-06**

(52) **U.S. Cl.** **D19/57**

(58) **Field of Classification Search** D19/36,
D19/37, 41-51, 54-57; 24/11 R, 11 HC,
24/11 F, 11 P; 401/52, 98, 99, 100, 104-109,
401/192, 195, 202, 243, 244, 245, 246, 247
See application file for complete search history.

* cited by examiner

Primary Examiner—Elizabeth A. Albert

(74) *Attorney, Agent, or Firm*—Wolf, Greenfield & Sacks,
P.C.

(57) **CLAIM**

The ornamental design for a writing utensil cap, as shown
and described.

DESCRIPTION

FIG. 1 is a side, top, perspective view of the writing utensil
cap with the writing utensil shown in broken lines;
FIG. 2 is a side view thereof;
FIG. 3 is a top view thereof;
FIG. 4 is a bottom view thereof;
FIG. 5 is a rear view thereof; and,
FIG. 6 is a front view thereof.

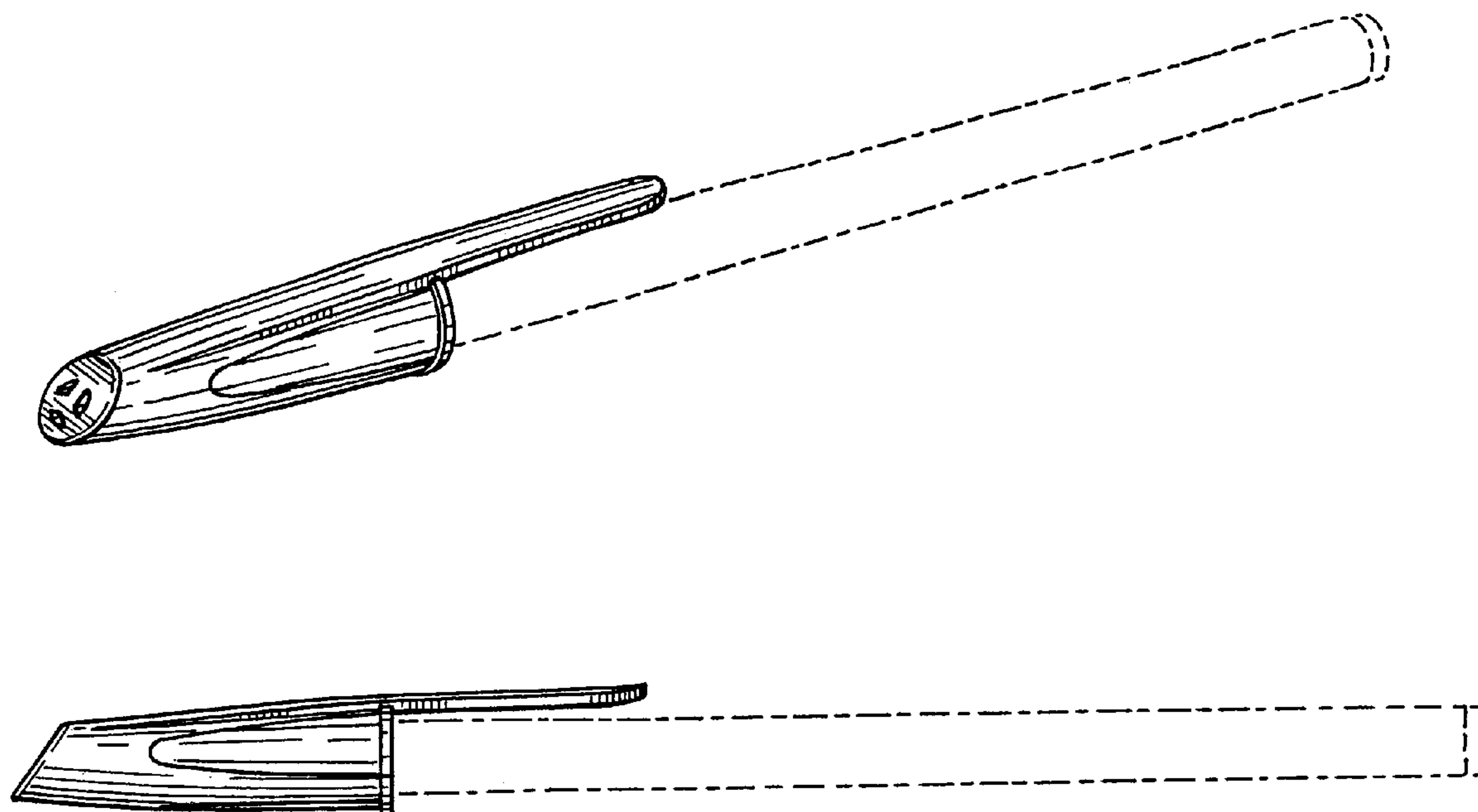
The broken lines showing environment in the drawings are
for information purposes only and form no part of the
claimed design.

1 Claim, 1 Drawing Sheet

(56) **References Cited**

U.S. PATENT DOCUMENTS

D217,647 S	*	5/1970	De Groft	D19/57
D221,033 S	*	6/1971	Wakai	D19/43
D284,676 S	*	7/1986	Malm	D19/51
D328,311 S	*	7/1992	Nitta	D19/49
D328,917 S	*	8/1992	Shike et al.	D19/36
5,174,672 A	*	12/1992	Towsend	401/6
5,230,578 A	*	7/1993	Fuhrmann et al.	401/202
D374,460 S	*	10/1996	Young	D19/48
D377,194 S	*	1/1997	Young	D19/48



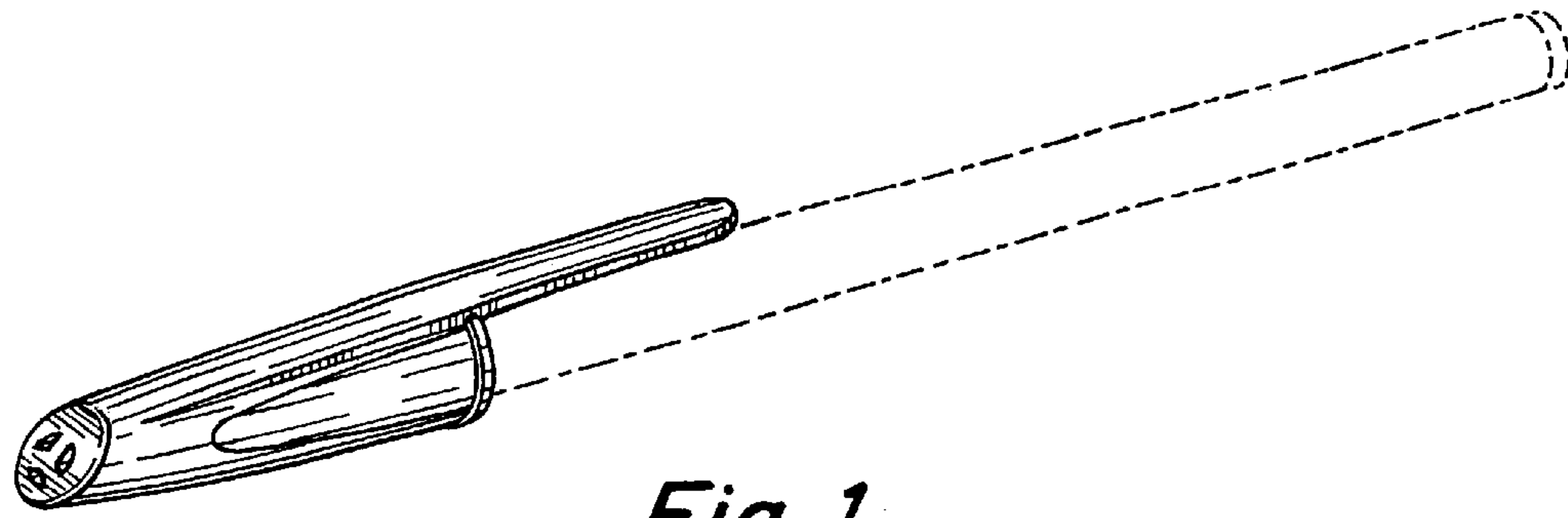


Fig. 1

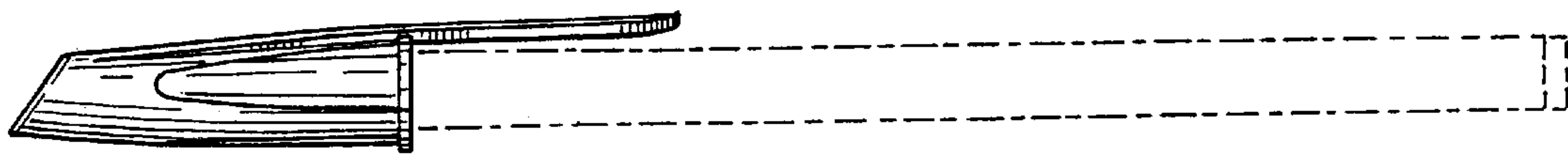


Fig. 2

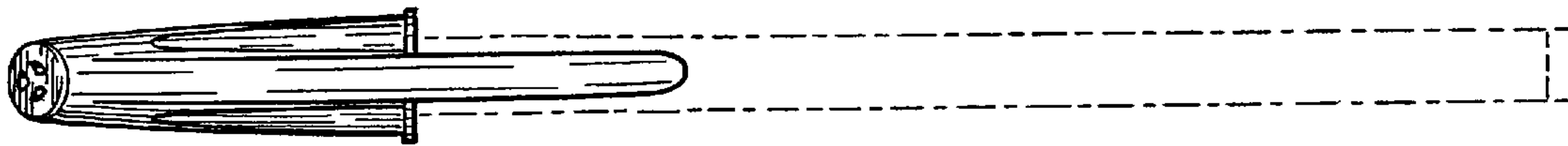


Fig. 3

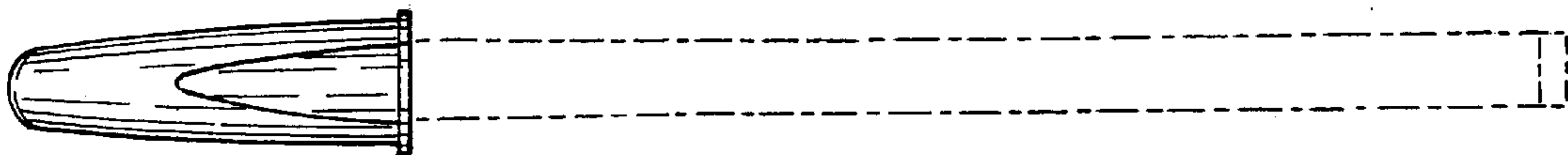


Fig. 4



Fig. 5

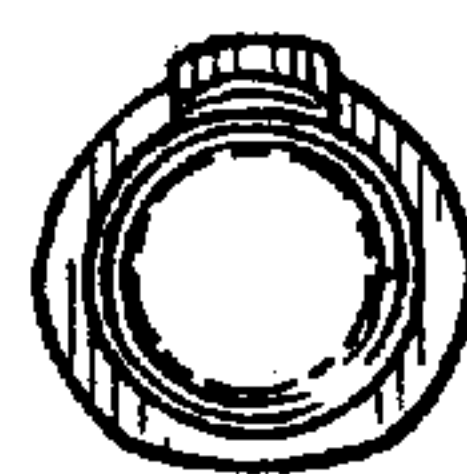


Fig. 6