



US00D530744S

(12) **United States Design Patent**
Harrison et al.

(10) **Patent No.:** **US D530,744 S**

(45) **Date of Patent:** **** Oct. 24, 2006**

(54) **GROUPED WRITING UTENSILS WITH WEDGE SHAPED SHAFTS**

(75) Inventors: **Nicola Harrison**, Darmstadt (DE);
James Harrison, Darmstadt (DE)

(73) Assignee: **Senator GmbH & Co KGaA**, Grosse Biebrau (DE)

(**) Term: **14 Years**

(21) Appl. No.: **29/244,631**

(22) Filed: **Dec. 12, 2005**

Related U.S. Application Data

(62) Division of application No. 29/183,606, filed on Jun. 12, 2003.

(30) **Foreign Application Priority Data**

Dec. 16, 2002 (DE) 402 10 535

(51) **LOC (8) Cl.** **10-06**

(52) **U.S. Cl.** **D19/36**

(58) **Field of Classification Search** D1/103, D1/121, 130; D9/646; D19/35, 36, 41, 42, D19/43, 44, 45, 46, 47, 48, 49, 50, 51, 55, D19/56, 57; D21/488, 505; D28/85, 86; 401/6, 401/88, 99, 104, 105, 106, 107, 108, 109
See application file for complete search history.

(56) **References Cited**

U.S. PATENT DOCUMENTS

D18,032 S 1/1888 Zeckendorf

D88,232 S	*	11/1932	Kobak	D1/103
3,994,605 A	*	11/1976	McKnight	401/99
D246,592 S	*	12/1977	Zeischegg	D19/75
D249,328 S	*	9/1978	Fields	D9/646
D279,621 S	*	7/1985	Richer	D3/20
4,728,212 A	*	3/1988	Spector	401/88
D364,248 S	*	11/1995	Su	D28/86
D365,849 S	*	1/1996	Greer, Jr.	D19/36
D366,730 S	*	1/1996	Chen	D28/86
5,564,849 A	*	10/1996	Greer, Jr.	401/30
D482,392 S	*	11/2003	Hui	D19/36
D509,624 S	*	9/2005	Villani et al.	D28/8.1
D509,851 S	*	9/2005	Huang	D19/43

* cited by examiner

Primary Examiner—Elizabeth A. Albert

(74) *Attorney, Agent, or Firm*—Duane Morris LLP

(57) **CLAIM**

The ornamental design for grouped writing utensils with wedge shaped shafts, as shown and described.

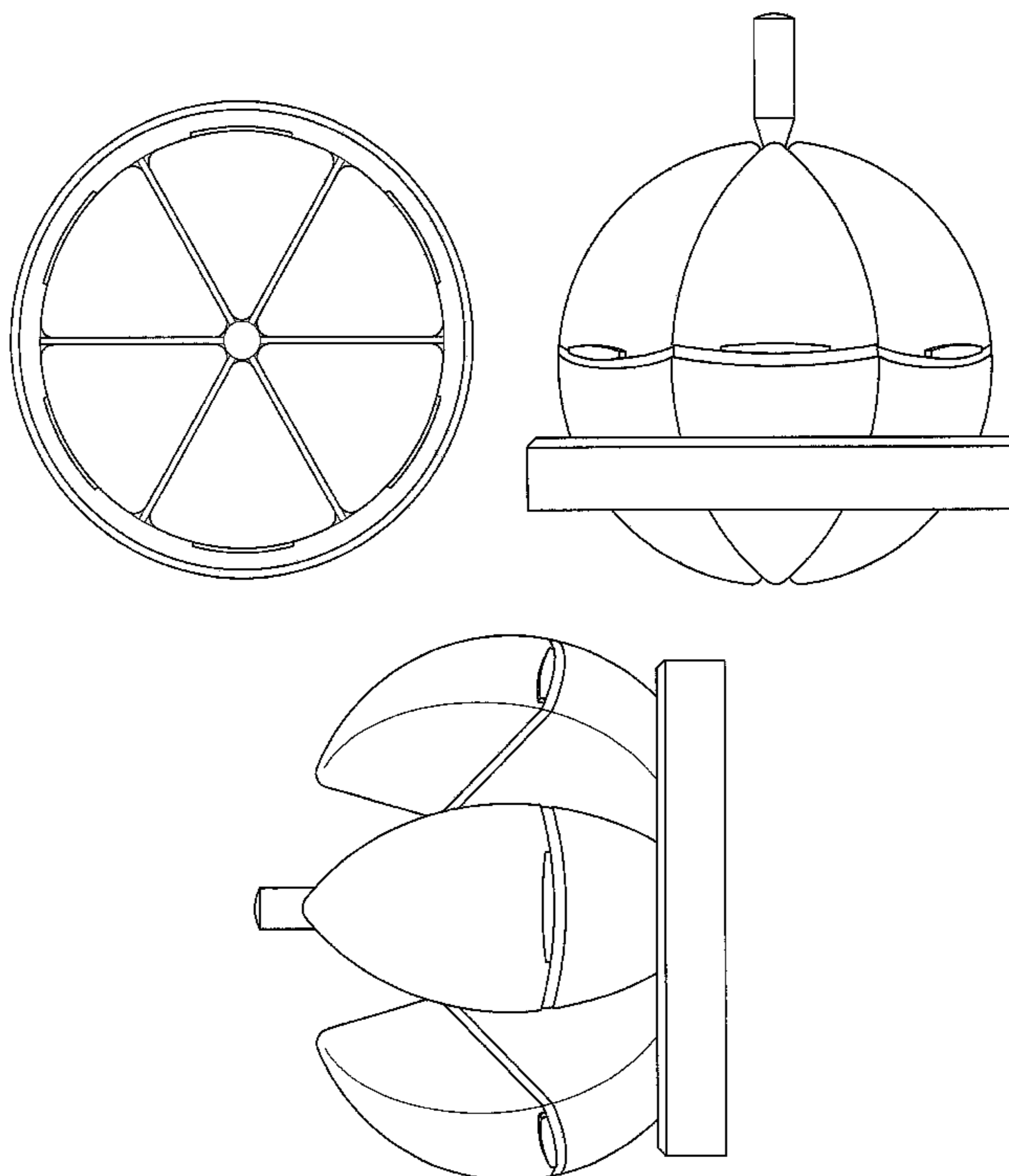
DESCRIPTION

FIG. 1 is a top plan view of grouped writing utensils with wedge shaped shafts in closed condition showing our new design;

FIG. 2 is a front elevation view of FIG. 1, the rear view being the same; and,

FIG. 3 is a front elevation view of the grouped writing utensils with wedge shaped shafts in open condition.

1 Claim, 3 Drawing Sheets



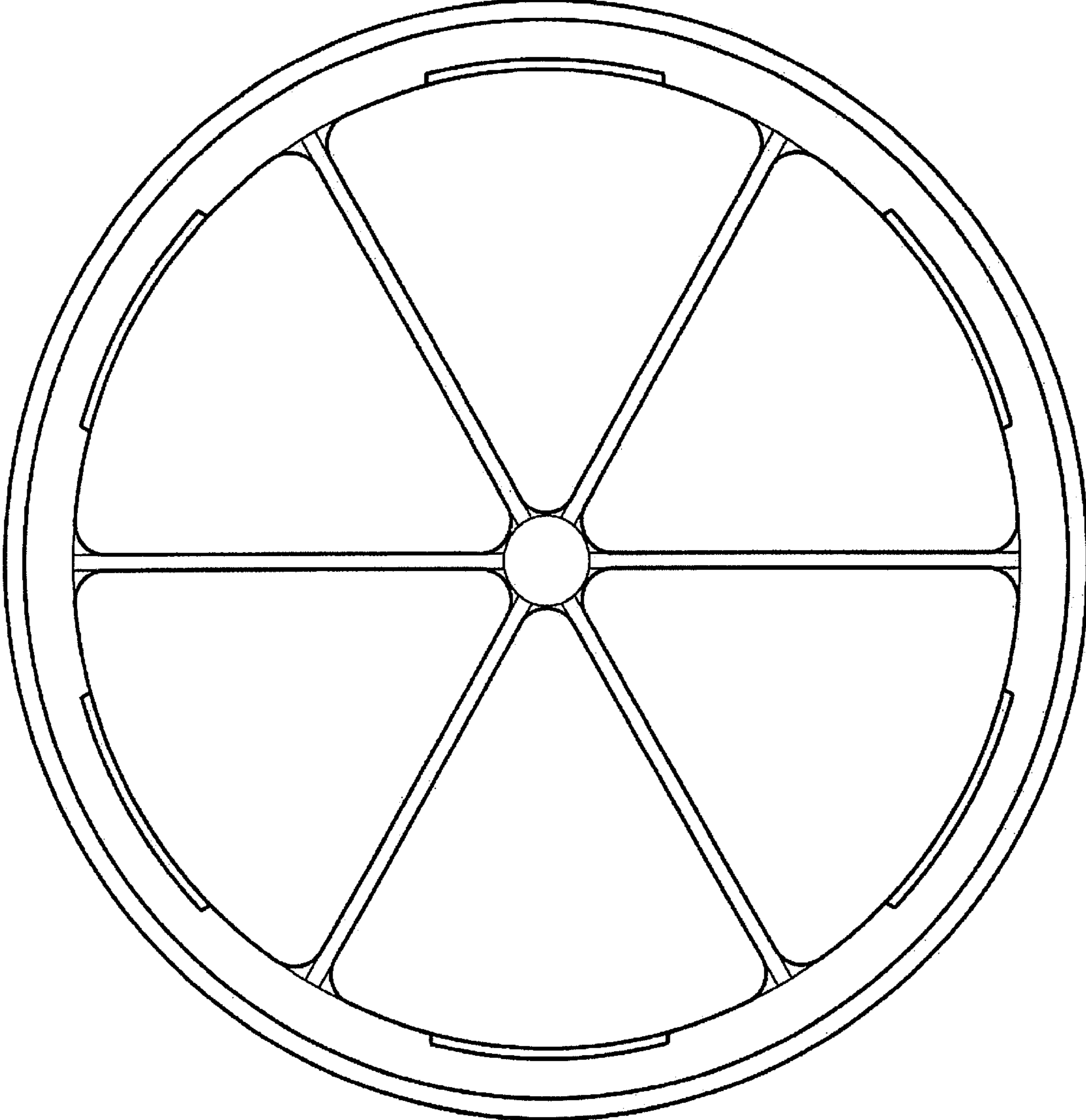


Fig. 1

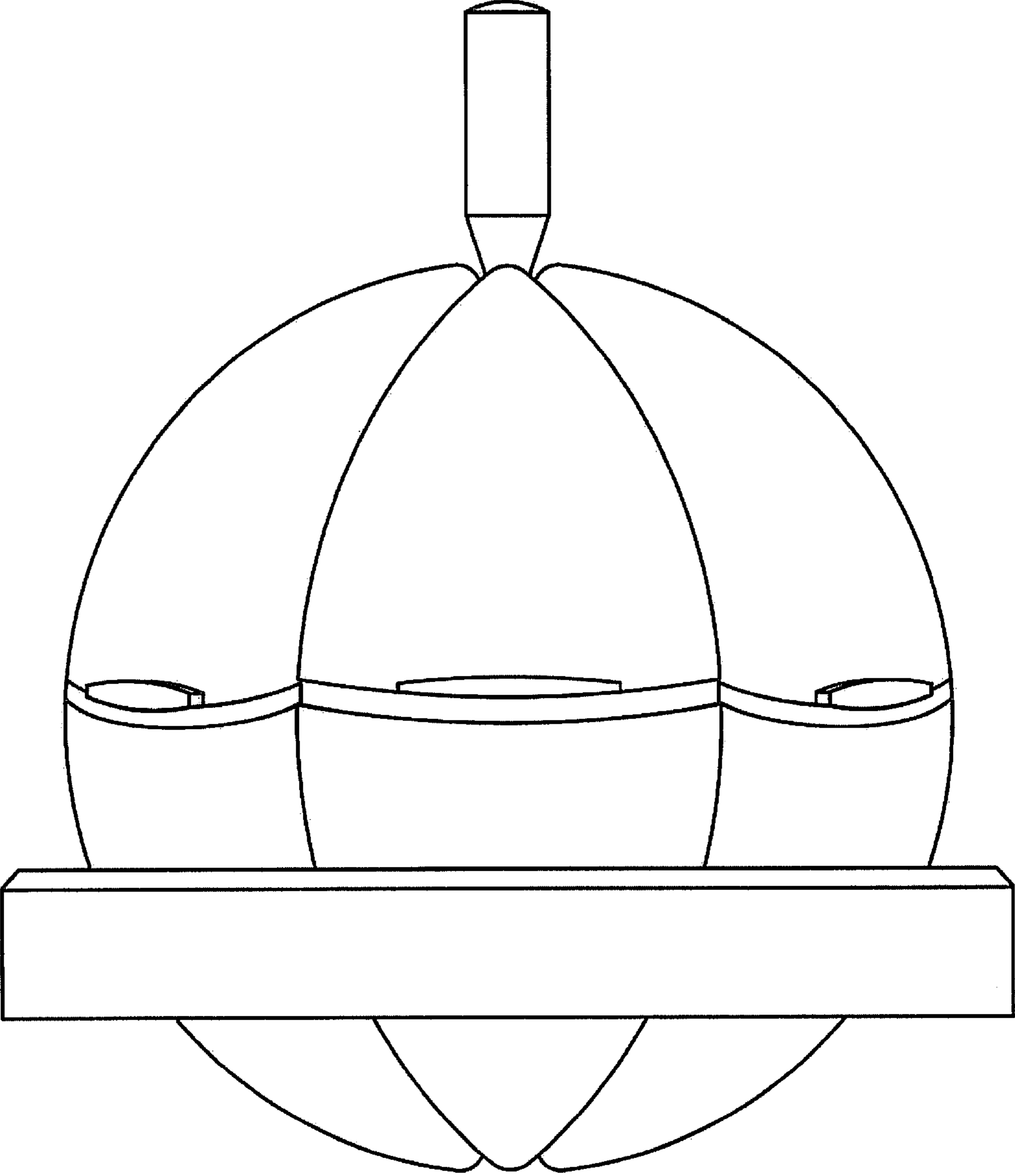


Fig. 2

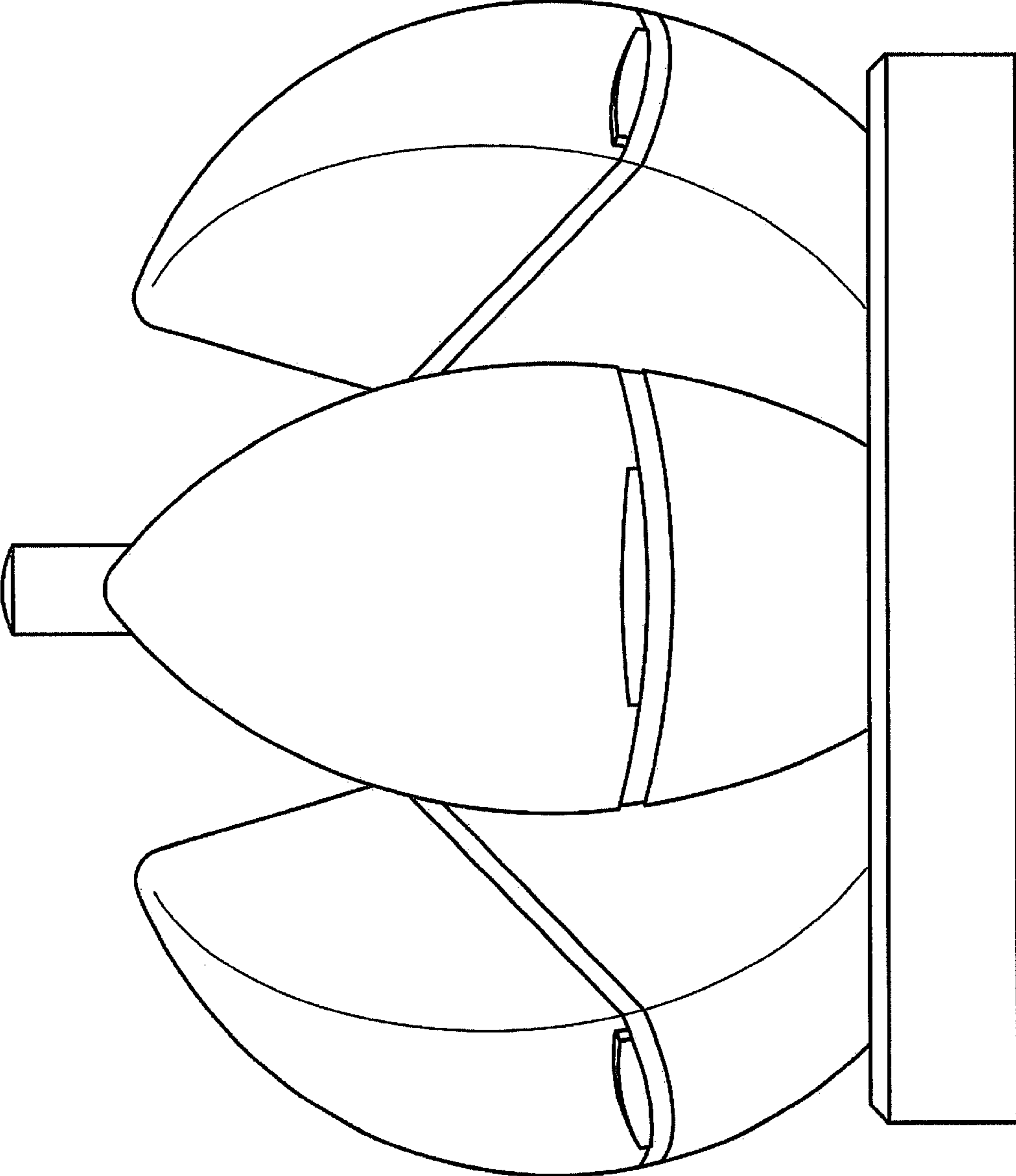


Fig. 3