



US00D530743S

(12) **United States Design Patent** (10) **Patent No.:** **US D530,743 S**
Ong (45) **Date of Patent:** **** Oct. 24, 2006**

(54) **ONE-THIRD CUT FOLDER WITH EXPANDABLE SPINE**

6,695,519 B1 * 2/2004 Tims et al. 402/73
2005/0000839 A1 * 1/2005 Densley 206/425

(76) Inventor: **Bon S. Ong**, P.O. Box 4247, Torrance, CA (US) 90510

(**) Term: **14 Years**

(21) Appl. No.: **29/214,581**

(22) Filed: **Oct. 7, 2004**

(51) **LOC (8) Cl.** **19-04**

(52) **U.S. Cl.** **D19/26**

(58) **Field of Classification Search** D19/1, D19/2, 3, 26, 27, 28, 29, 30, 31, 32, 33, 86; 40/124.06, 359, 405, 530, 536, 537, 661; 229/67.1, 67.2, 67.3, 67.4; 281/2, 3.1, 15.1, 281/19.1, 21.1, 22, 29, 38; 283/36; 206/425
See application file for complete search history.

(56) **References Cited**

U.S. PATENT DOCUMENTS

1,016,789	A	*	2/1912	Smith	281/45
1,697,985	A	*	1/1929	Lindsay	40/359
2,037,579	A	*	4/1936	Jonas	40/359
3,683,533	A	*	8/1972	Kelly	40/359
4,477,013	A	*	10/1984	Herrin	229/67.1
4,784,508	A	*	11/1988	Shannon	402/79
4,932,683	A	*	6/1990	Perazza	283/74
D337,784	S	*	7/1993	Wyant	D19/26
5,407,234	A	*	4/1995	Rettker et al.	283/62
5,445,468	A	*	8/1995	Pacione	402/75
5,492,268	A	*	2/1996	Biddle et al.	229/67.1
5,503,435	A	*	4/1996	Kline	283/67
5,558,454	A	*	9/1996	Owen	402/79
5,626,368	A	*	5/1997	St. Romain	281/29
5,924,812	A	*	7/1999	Goldman	402/79
6,179,332	B1	*	1/2001	Funkhouser	281/21.1

OTHER PUBLICATIONS

Staples Special Order Catalog 2004, Report Covers and Pressboard Report Covers, Catalog D90G2299N, pp. 1044–1045, 4 pages.

* cited by examiner

Primary Examiner—Elizabeth A. Albert

(74) *Attorney, Agent, or Firm*—Charles H. Thomas

(57) **CLAIM**

The ornamental design for a one-third cut folder with expandable spine, as shown and described.

DESCRIPTION

FIG. 1 is an exploded perspective view of the inside of a one-third cut folder with expandable spine showing my new design;

FIG. 2 is a plan view of the inside of the front cover of FIG. 1 shown by itself for convenience of illustration;

FIG. 3 is a plan view of the inside of the rear cover of FIG. 1 shown by itself for convenience of illustration;

FIG. 4 is a plan view of the outside of the rear of FIG. 1 in assembled and closed condition;

FIG. 5 is a plan view of the outside of the front of FIG. 1 in assembled and closed condition;

FIG. 6 is a plan view of the inside of FIG. 1 in assembled and open condition;

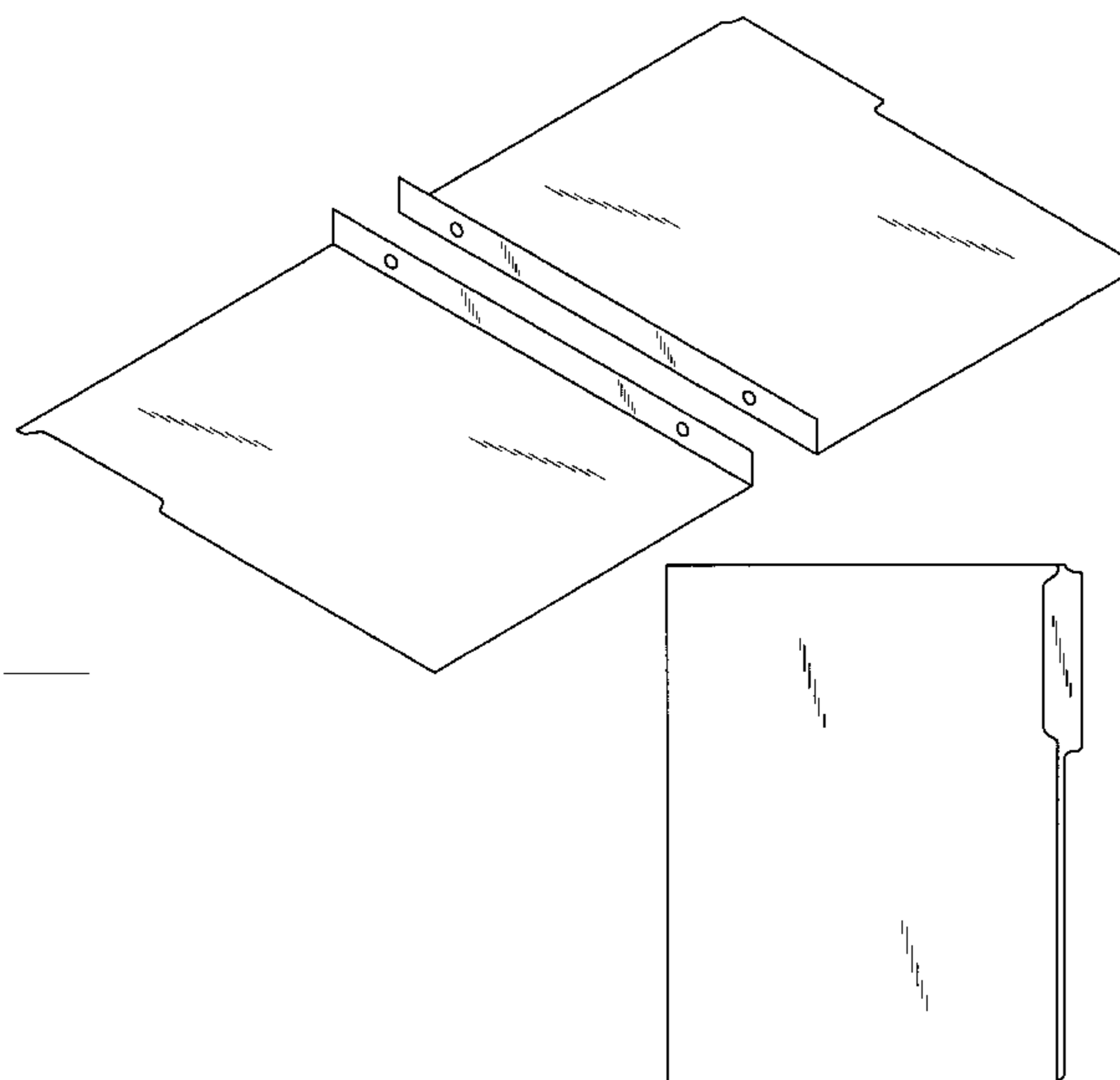
FIG. 7 is a left end elevation view thereof;

FIG. 8 is a right end elevation view thereof;

FIG. 9 is a front elevation view thereof; and,

FIG. 10 is a rear elevation view thereof.

1 Claim, 5 Drawing Sheets



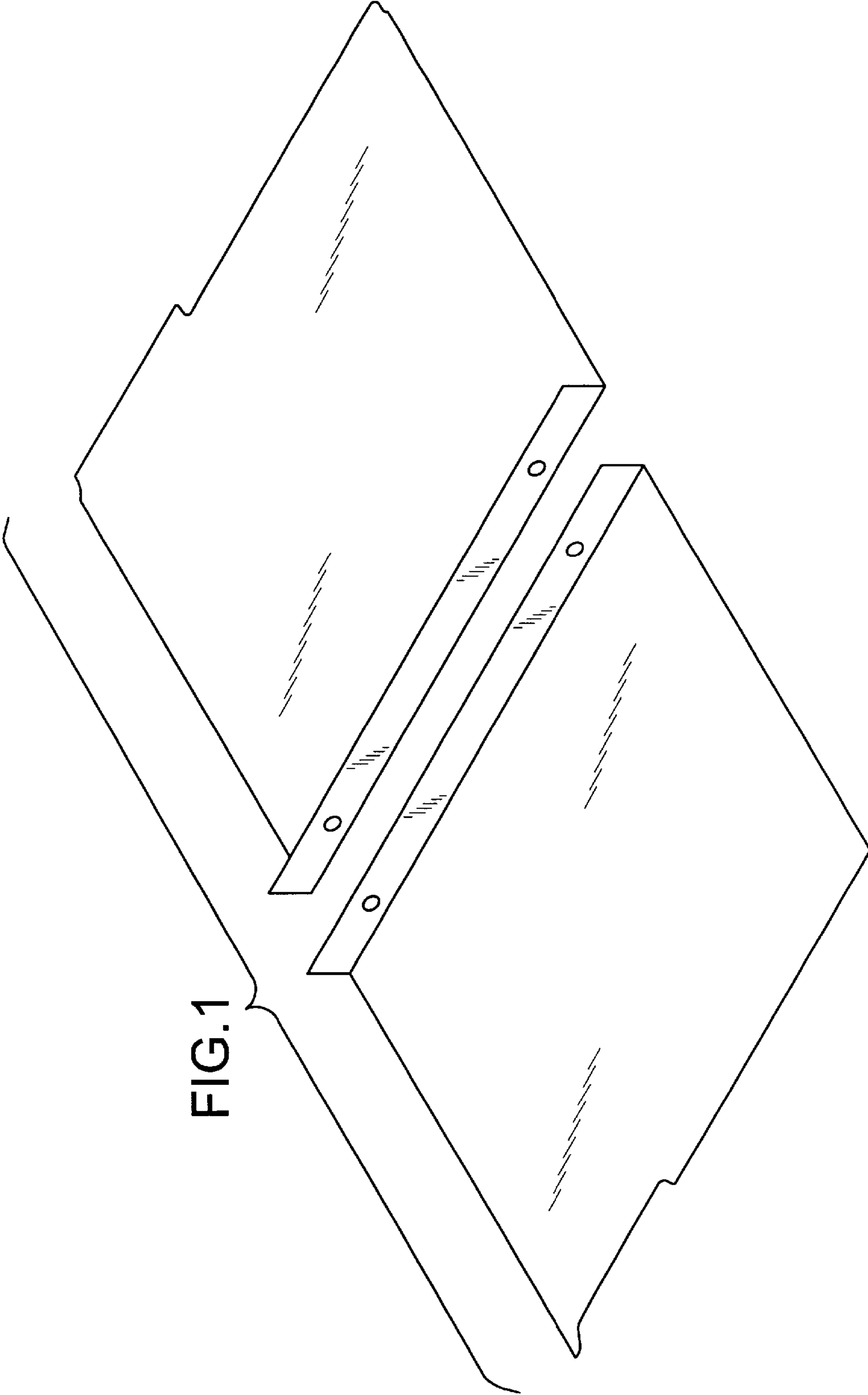


FIG.1

FIG.3

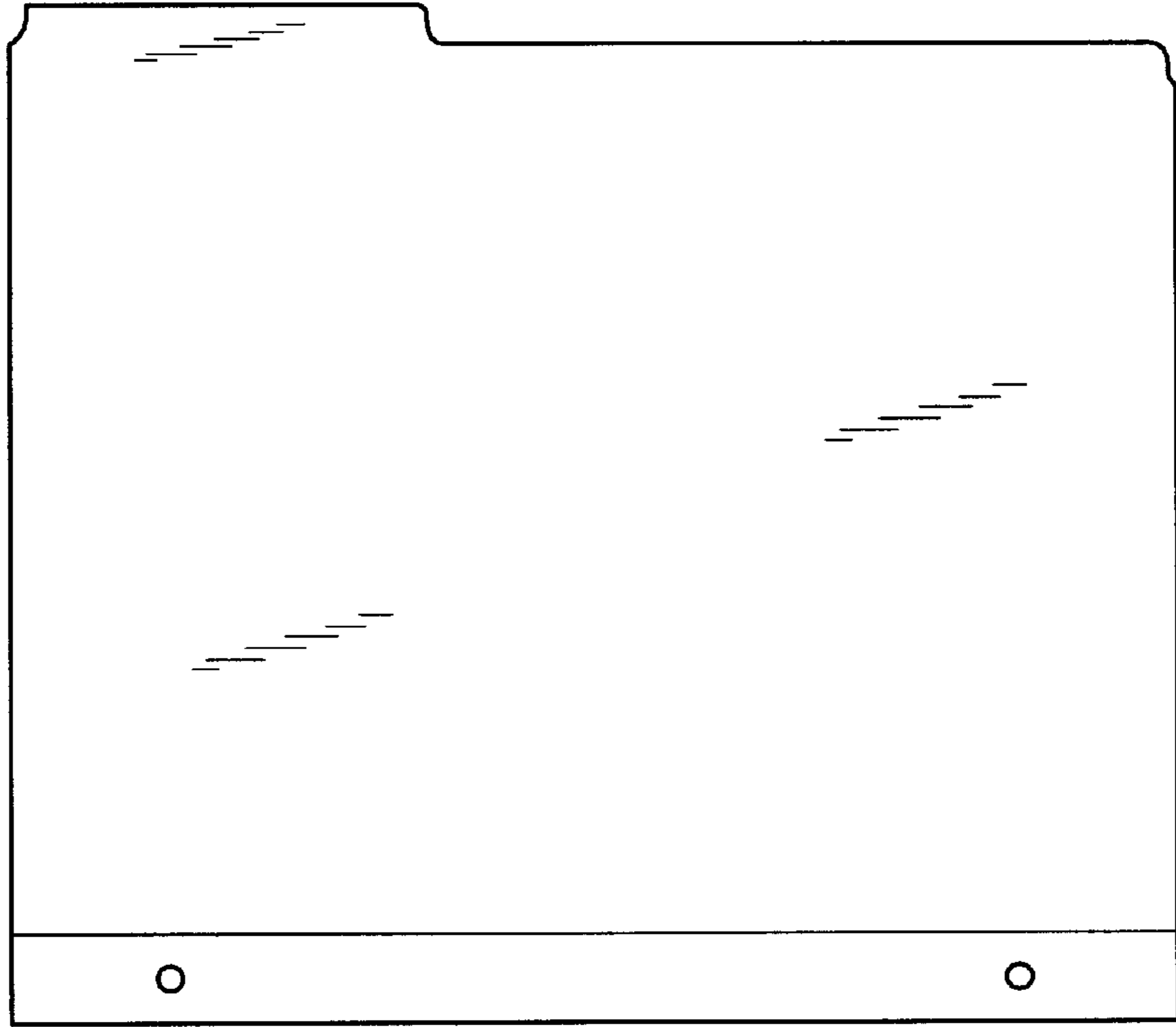


FIG.2

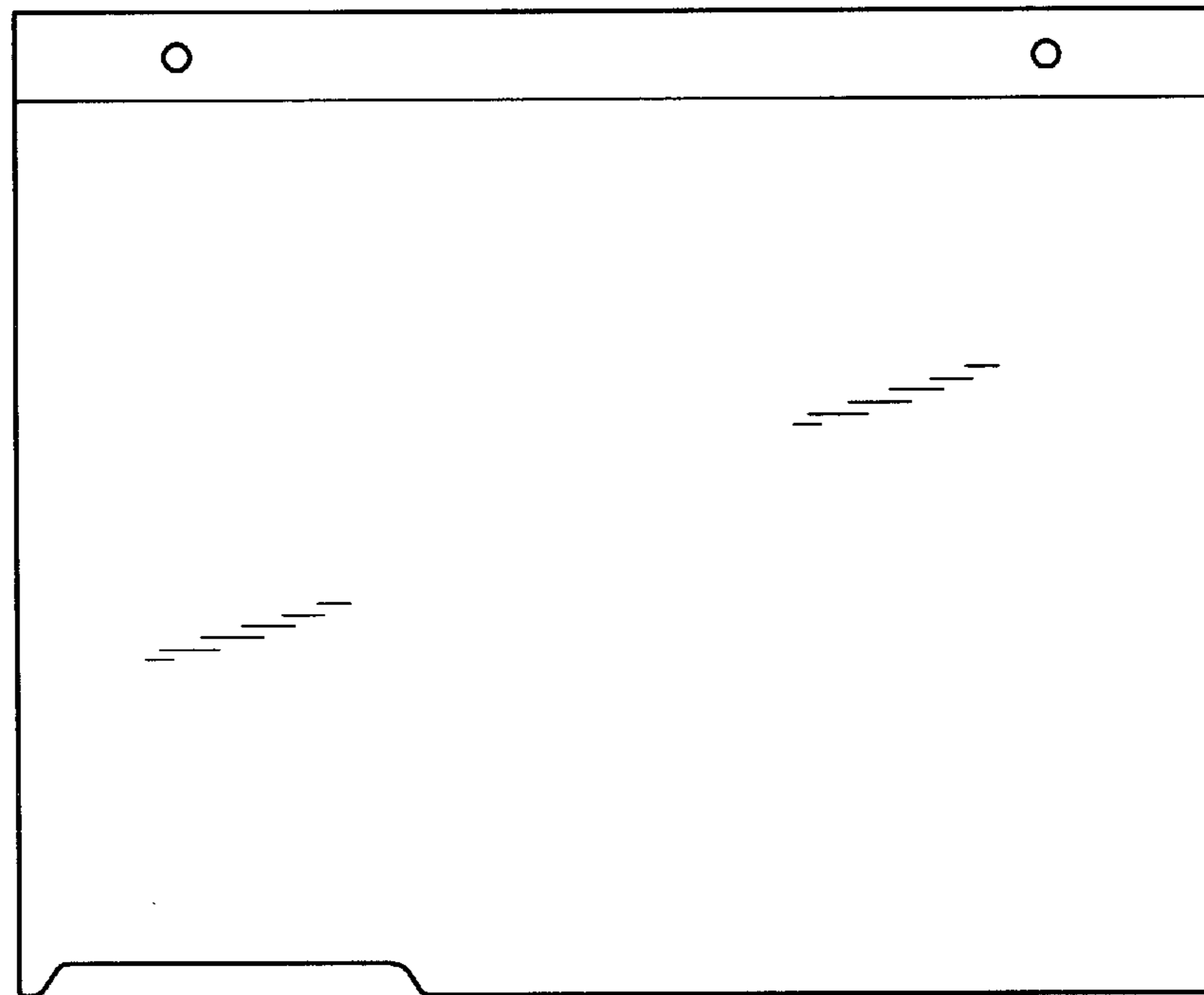


FIG.5

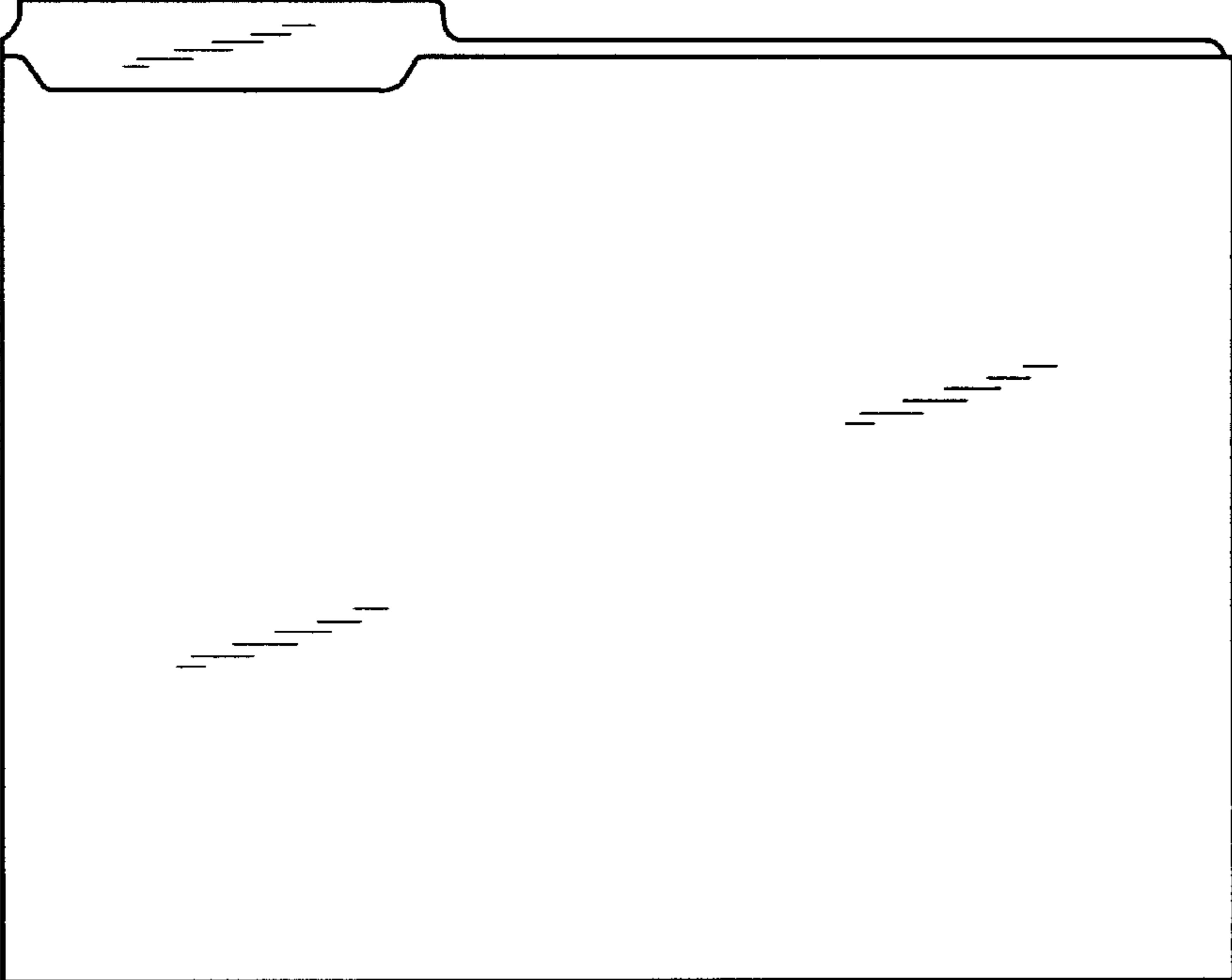


FIG.4

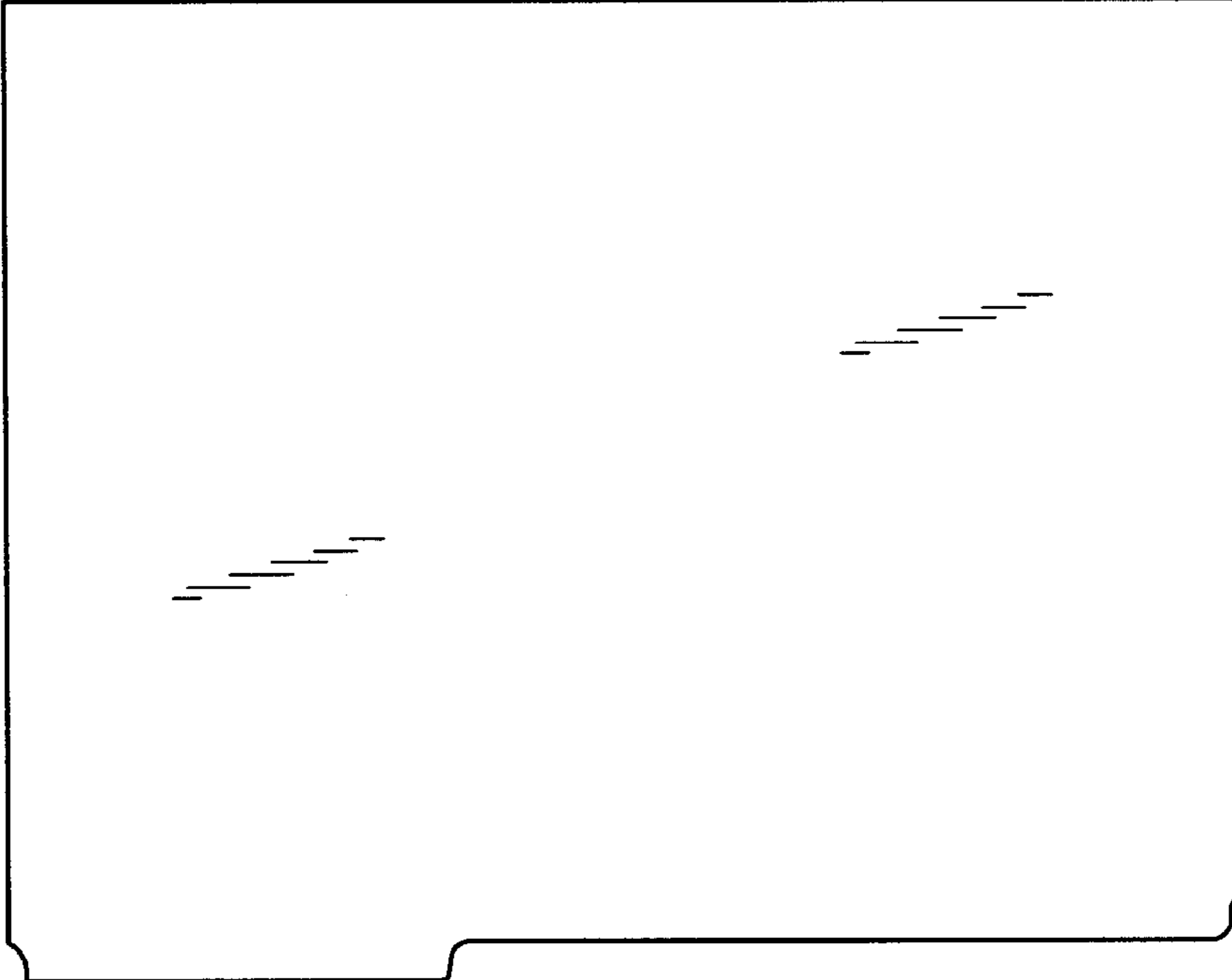


FIG.8



FIG.6

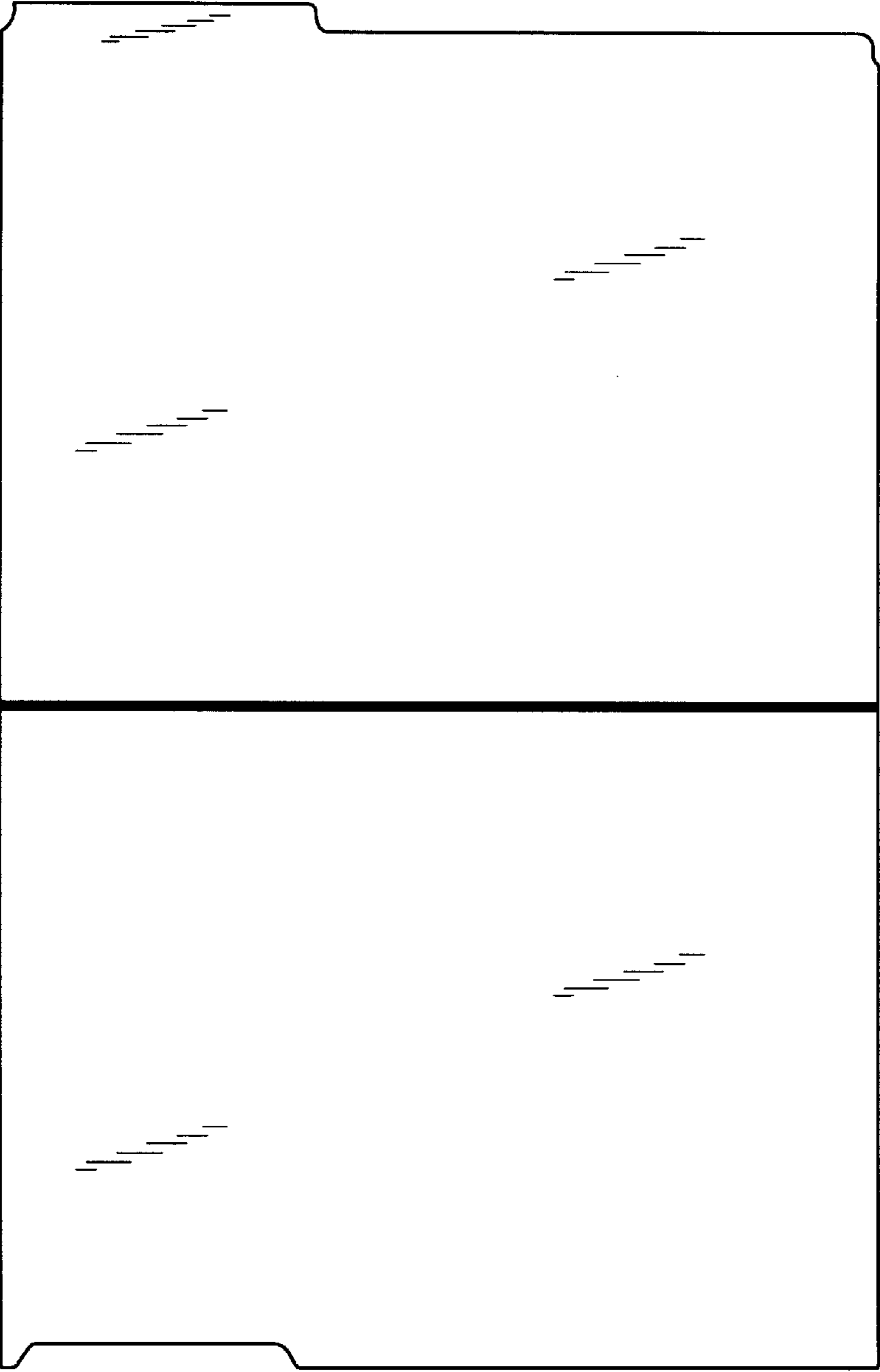


FIG.7



FIG.9



FIG.10

