



US00D530742S

(12) **United States Design Patent**
Yang

(10) **Patent No.:** **US D530,742 S**

(45) **Date of Patent:** **** Oct. 24, 2006**

(54) **MULTI-FUNCTION DESK CALENDAR**

(76) Inventor: **Hsi-Chiang Yang**, No. 9, Alley 2, Lane 195, Sec. 1, Mingte Rd., Tucheng City, Taipei Hsien (TW)

(**) Term: **14 Years**

(21) Appl. No.: **29/203,648**

(22) Filed: **Apr. 19, 2004**

(51) **LOC (8) Cl.** **19-03**

(52) **U.S. Cl.** **D19/23**

(58) **Field of Classification Search** D19/20-25,
D19/75, 76; 40/120, 358; 206/214, 224, 338,
206/371; 220/559; 211/69.1

See application file for complete search history.

(56) **References Cited**

U.S. PATENT DOCUMENTS

1,580,770	A	*	4/1926	Welcker	40/120
D186,144	S	*	9/1959	Daniels	D19/22
D203,724	S	*	2/1966	Zandelin	D19/22
D250,437	S	*	12/1978	Korpijaakko et al.	D6/397
4,176,743	A	*	12/1979	Fitzpatrick	206/214
D266,675	S	*	10/1982	Polhemus et al.	D19/22
4,475,022	A	*	10/1984	Polhemus et al.	200/214
5,163,549	A	*	11/1992	Hayduchok	206/214

D339,161	S	*	9/1993	Evenson	D19/21
5,537,369	A	*	7/1996	Wu	368/10
7,032,337	B1	*	4/2006	Yang	40/120

* cited by examiner

Primary Examiner—Robert A. Delehanty

Assistant Examiner—Mark Cavanna

(74) *Attorney, Agent, or Firm*—Bacon & Thomas

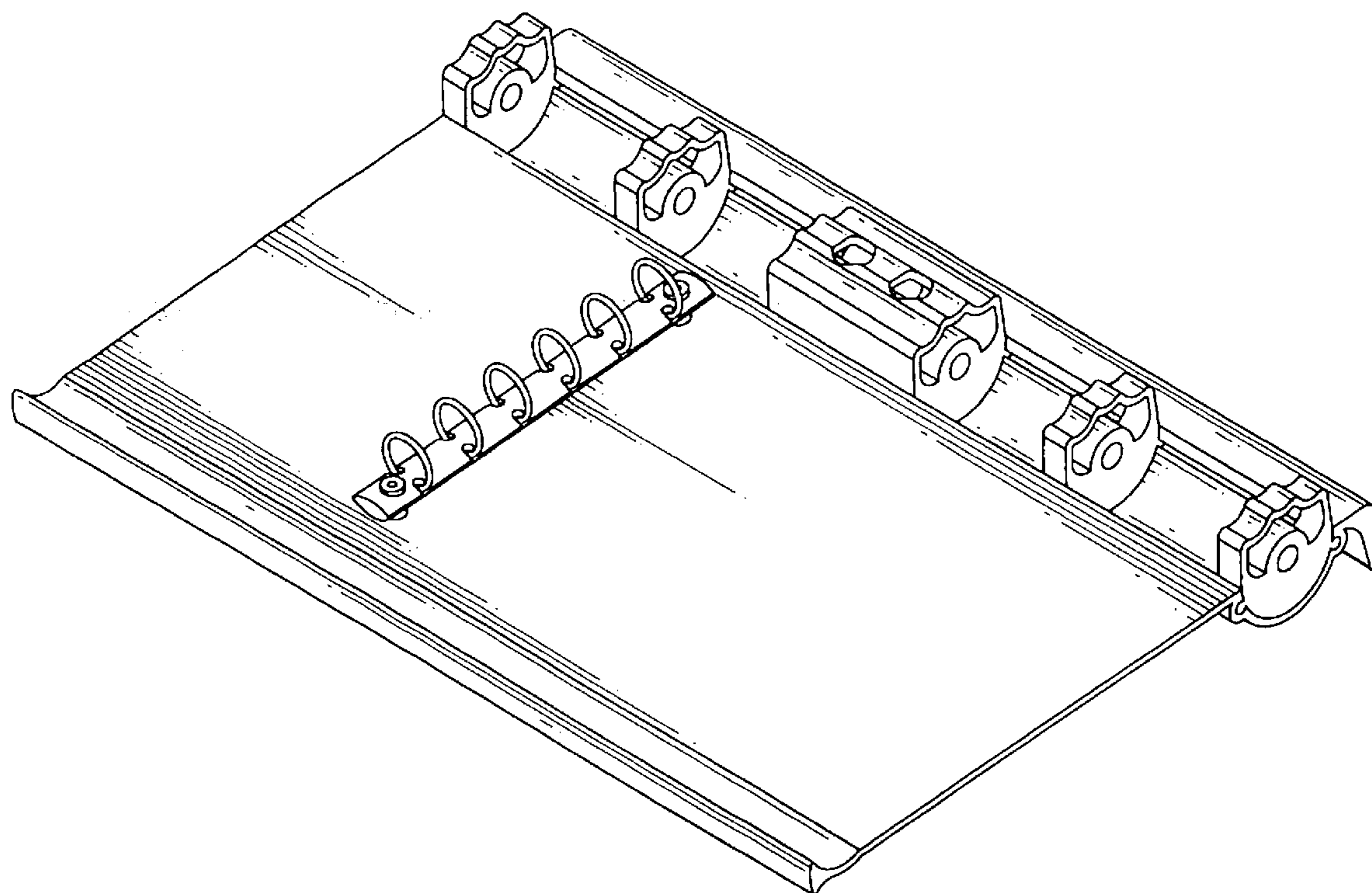
(57) **CLAIM**

The ornamental design for a multi-function desk calendar, as shown and described.

DESCRIPTION

FIG. 1 is a front-right-top perspective view of a multi-function desk calendar, showing my new design;
 FIG. 2 is a front view thereof;
 FIG. 3 is a rear view thereof;
 FIG. 4 is a left side view thereof;
 FIG. 5 is a right side view thereof;
 FIG. 6 is a top view thereof; and
 FIG. 7 is a bottom view thereof; and,
 FIG. 8 is a perspective view showing an embodiment of the claimed design, wherein the broken lines are shown for illustrative purposes only and form no part of the claimed design.

1 Claim, 5 Drawing Sheets



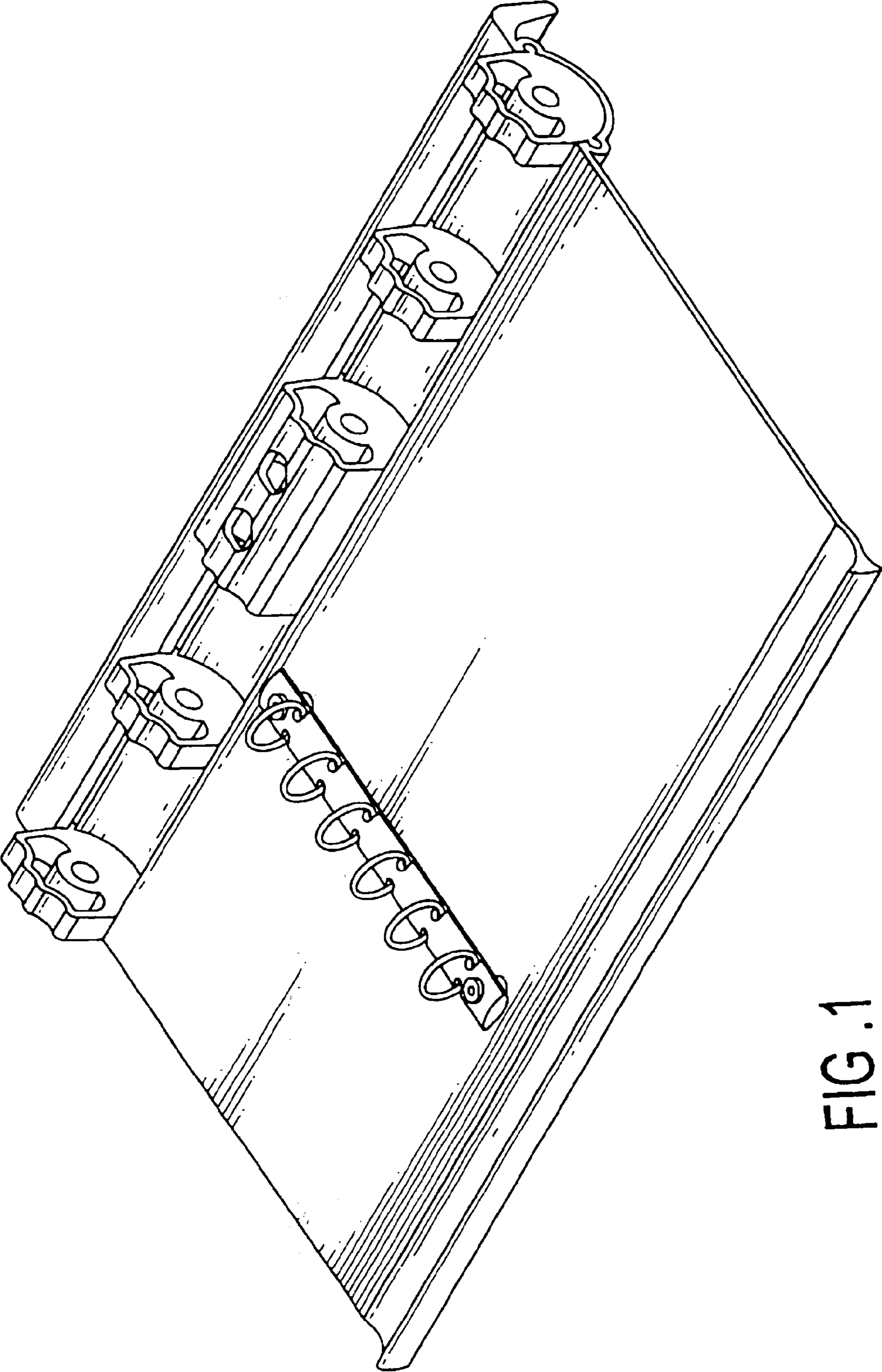


FIG. 1

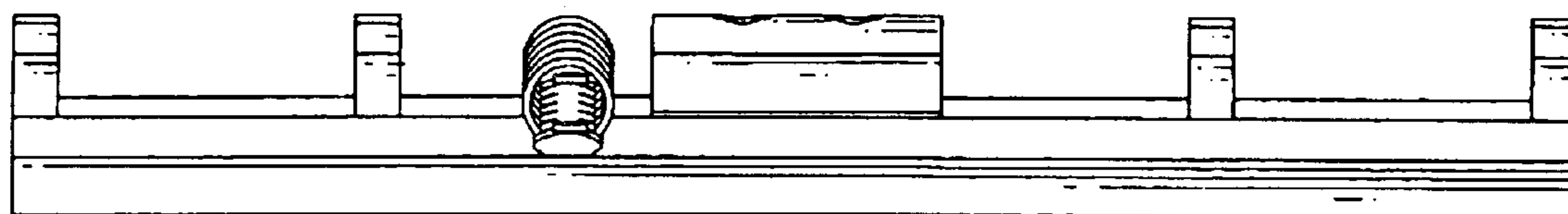


FIG. 2

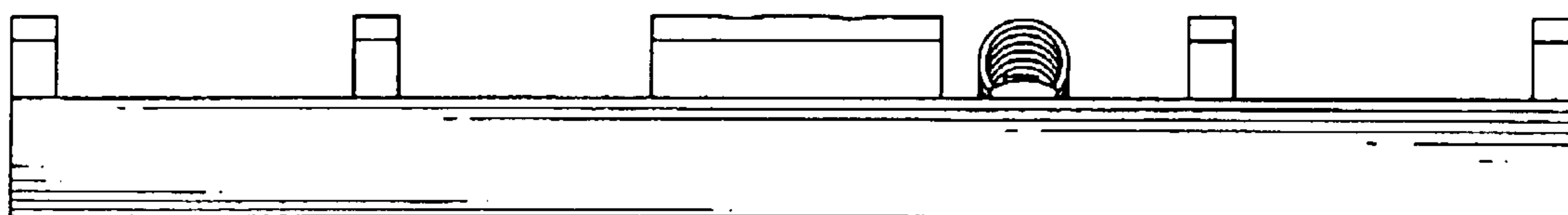


FIG. 3

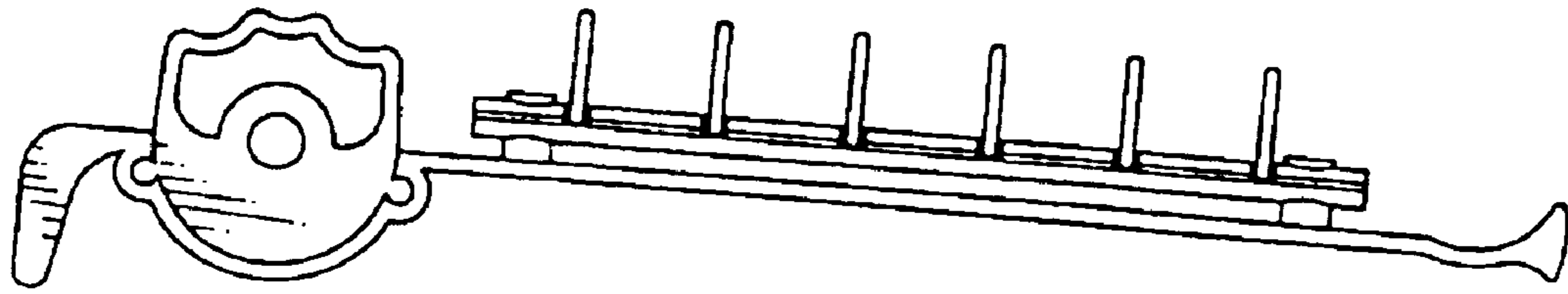


FIG. 4

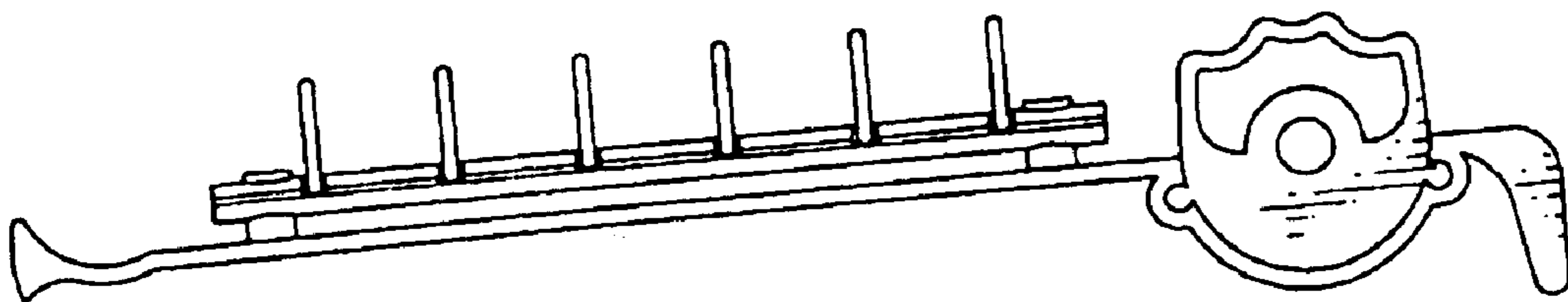


FIG. 5

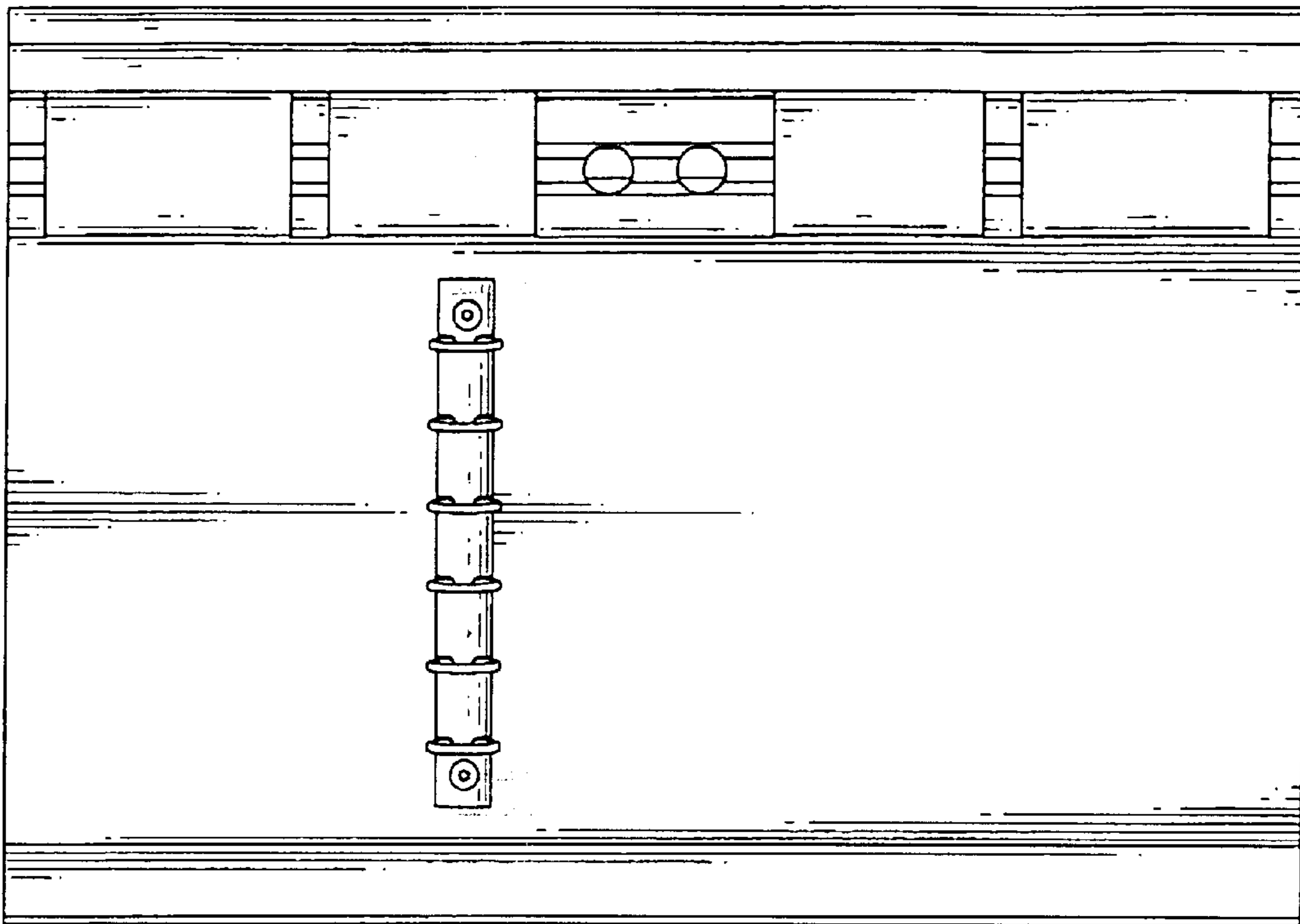


FIG. 6



FIG. 7

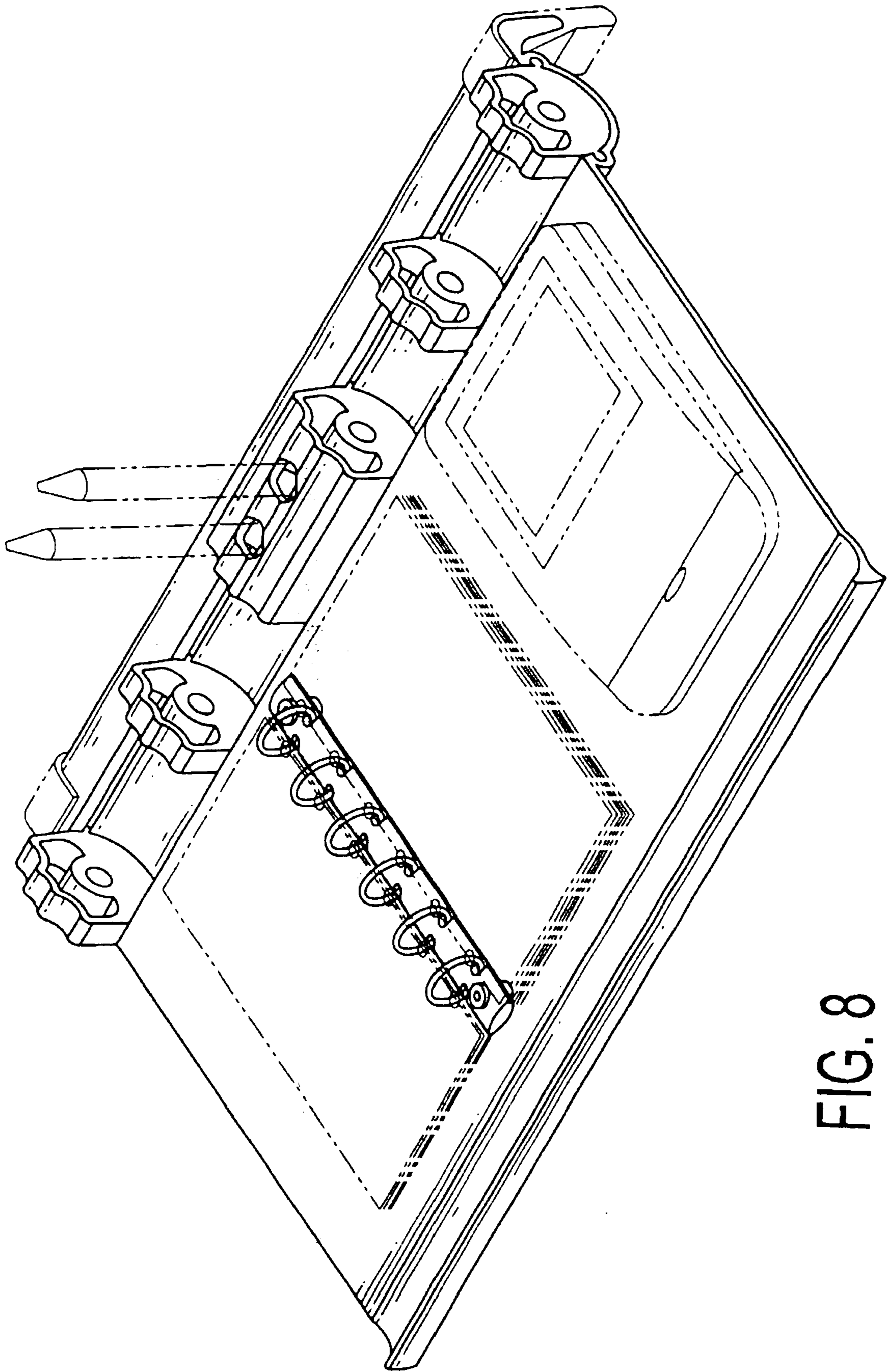


FIG. 8