



US00D530738S

(12) **United States Design Patent**
Tay et al.

(10) **Patent No.:** **US D530,738 S**

(45) **Date of Patent:** **** Oct. 24, 2006**

(54) **PRINTER**

(75) Inventors: **See Yek Tay**, Singapore (SG); **Mylene Angele Kit Njoek Tjin Wong Joe**, Singapore (SG)

(73) Assignee: **Hewlett-Packard Development Company, L.P.**, Houston, TX (US)

(**) **Term:** **14 Years**

(21) Appl. No.: **29/203,424**

(22) Filed: **Apr. 13, 2004**

(51) **LOC (8) Cl.** **14-02**

(52) **U.S. Cl.** **D18/55**

(58) **Field of Classification Search** D18/36-39, D18/46-49, 53-54, 54.1, 55; D14/420-425, D14/462-470; 400/613, 613.1-613.4, 690.1-690.4, 400/691-694
See application file for complete search history.

(56) **References Cited**

U.S. PATENT DOCUMENTS

- D293,578 S * 1/1988 Matsumoto et al. D18/55
- D335,894 S * 5/1993 Nishikaze et al. D18/55

- D369,181 S * 4/1996 Kobayashi D18/55
- D374,032 S * 9/1996 Kobayashi et al. D18/55
- D379,197 S * 5/1997 Kawahara et al. D18/55
- D390,257 S * 2/1998 Dwyer et al. D18/55
- D445,451 S * 7/2001 Clark et al. D18/55
- D448,044 S * 9/2001 Wu et al. D18/55
- D459,389 S * 6/2002 Kaseno D18/50
- D466,924 S * 12/2002 Wong et al. D18/55
- D489,755 S * 5/2004 Wong et al. D18/55
- D501,503 S * 2/2005 Leong et al. D18/55

* cited by examiner

Primary Examiner—Cathy Anne MacCormac

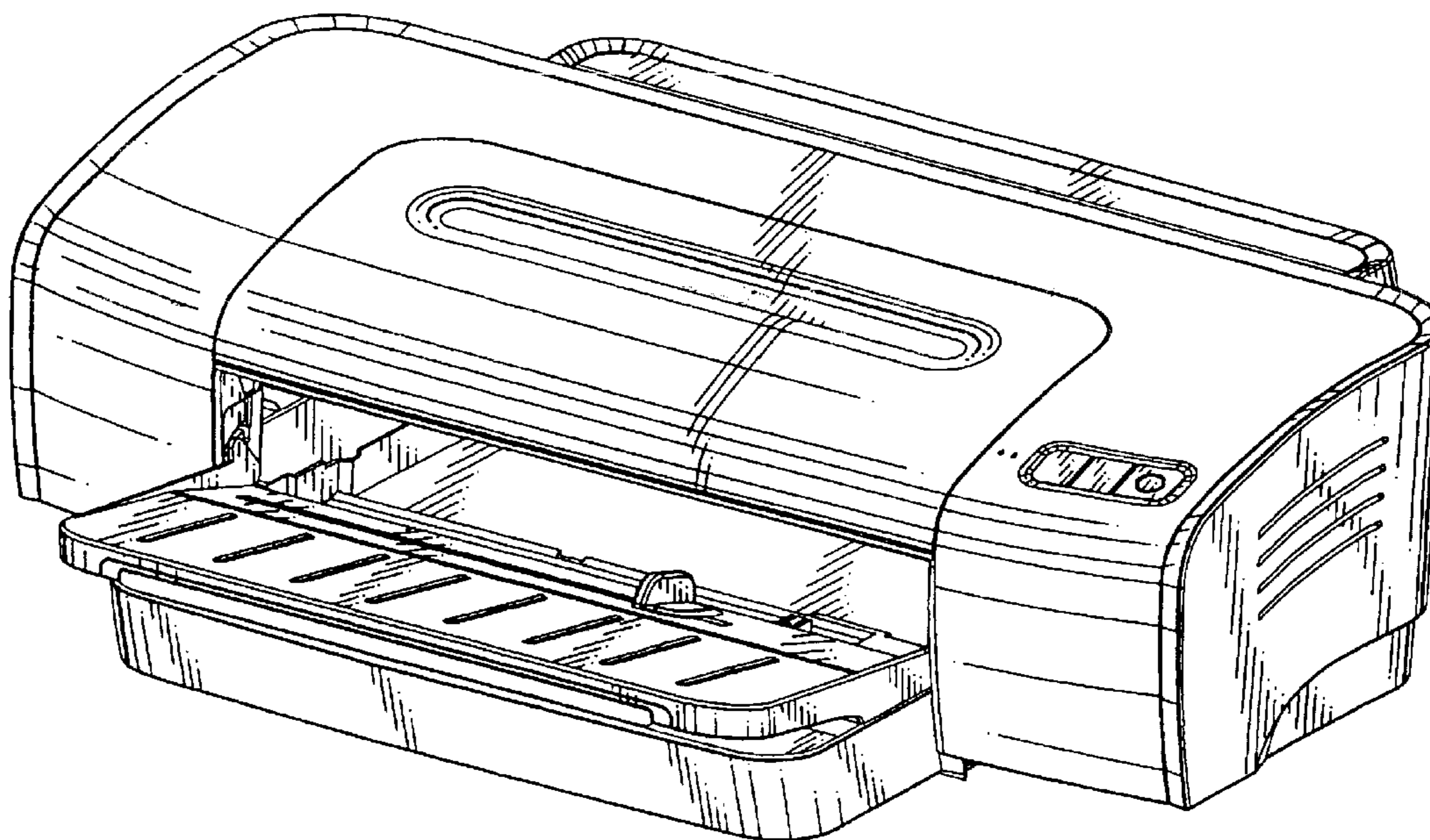
(57) **CLAIM**

The ornamental design for a printer, as shown.

DESCRIPTION

FIG. 1 is a perspective view;
FIG. 2 is a reduced top view;
FIG. 3 is a reduced bottom view;
FIG. 4 is a left side view;
FIG. 5 is a right side view;
FIG. 6 is a front view; and,
FIG. 7 is a rear view.

1 Claim, 7 Drawing Sheets



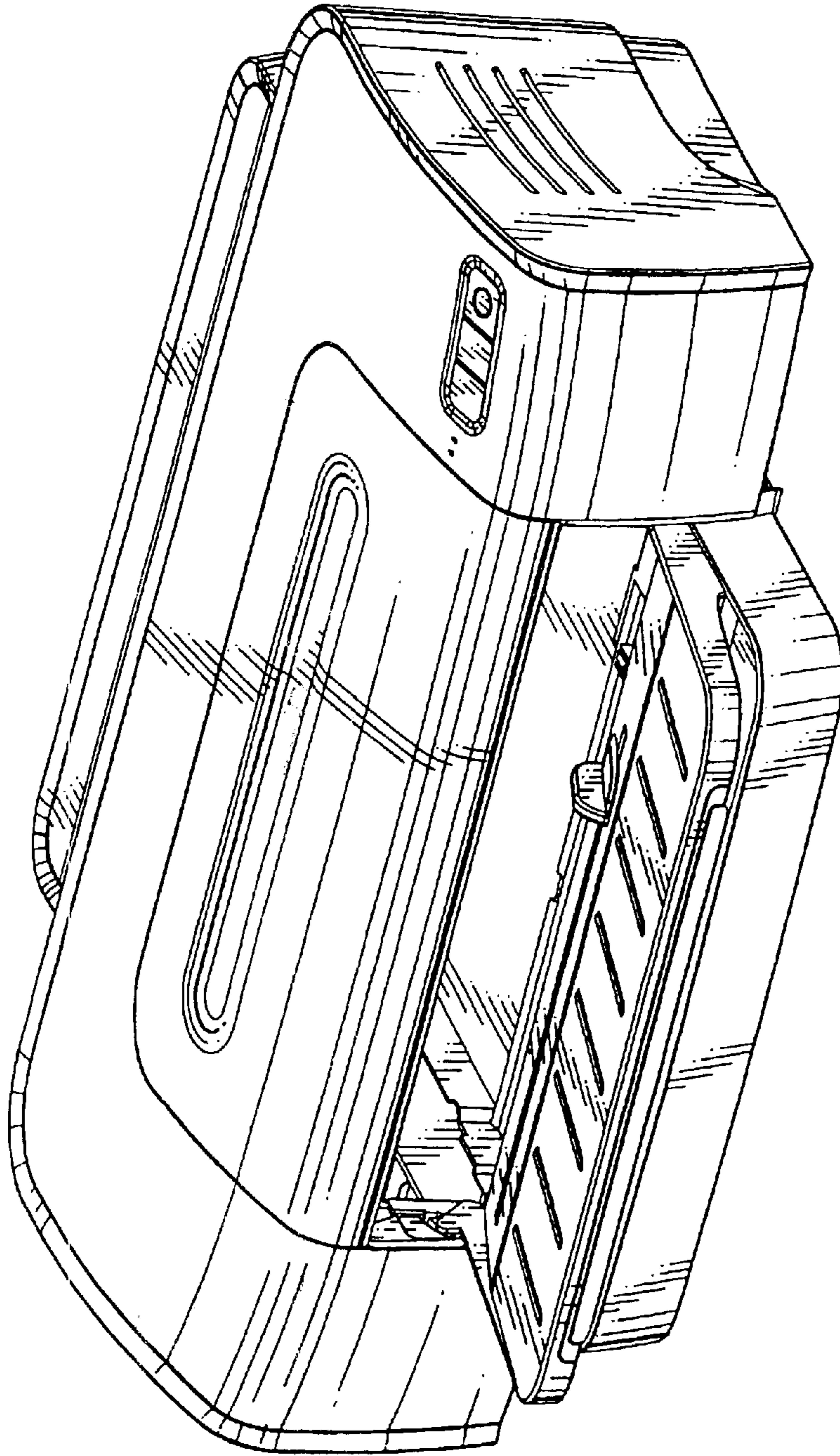


Figure 1

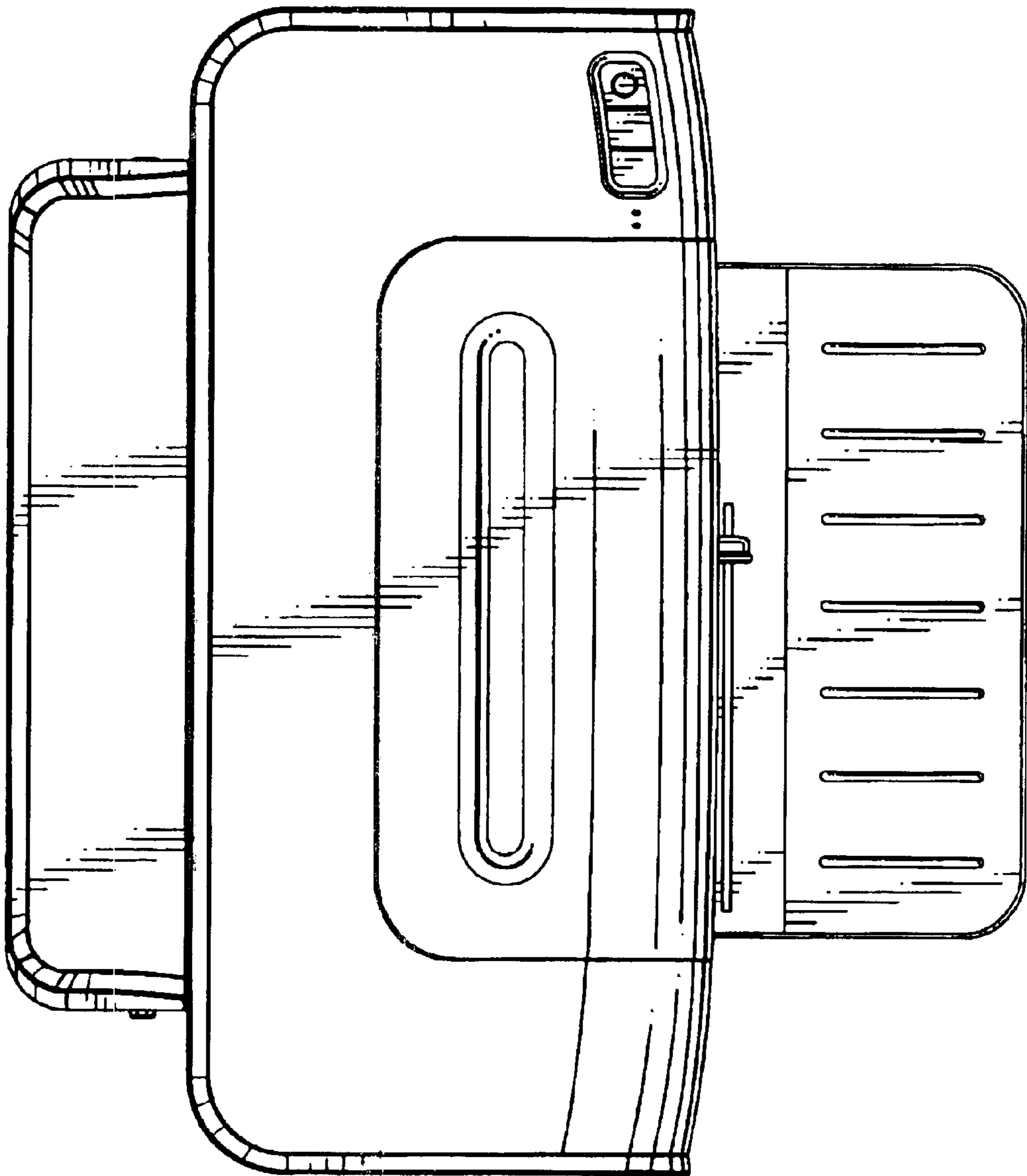


Figure 2

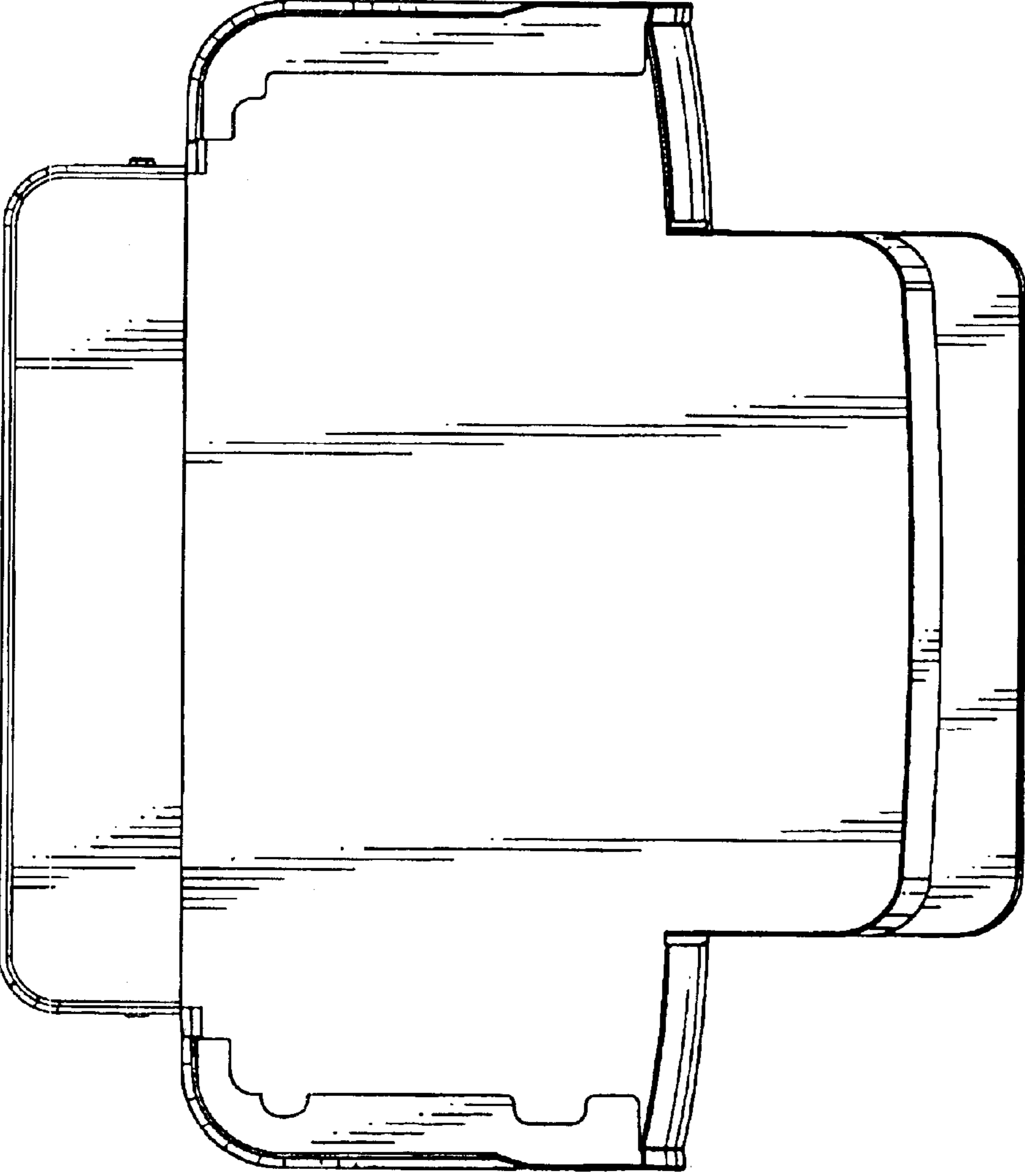


Figure 3

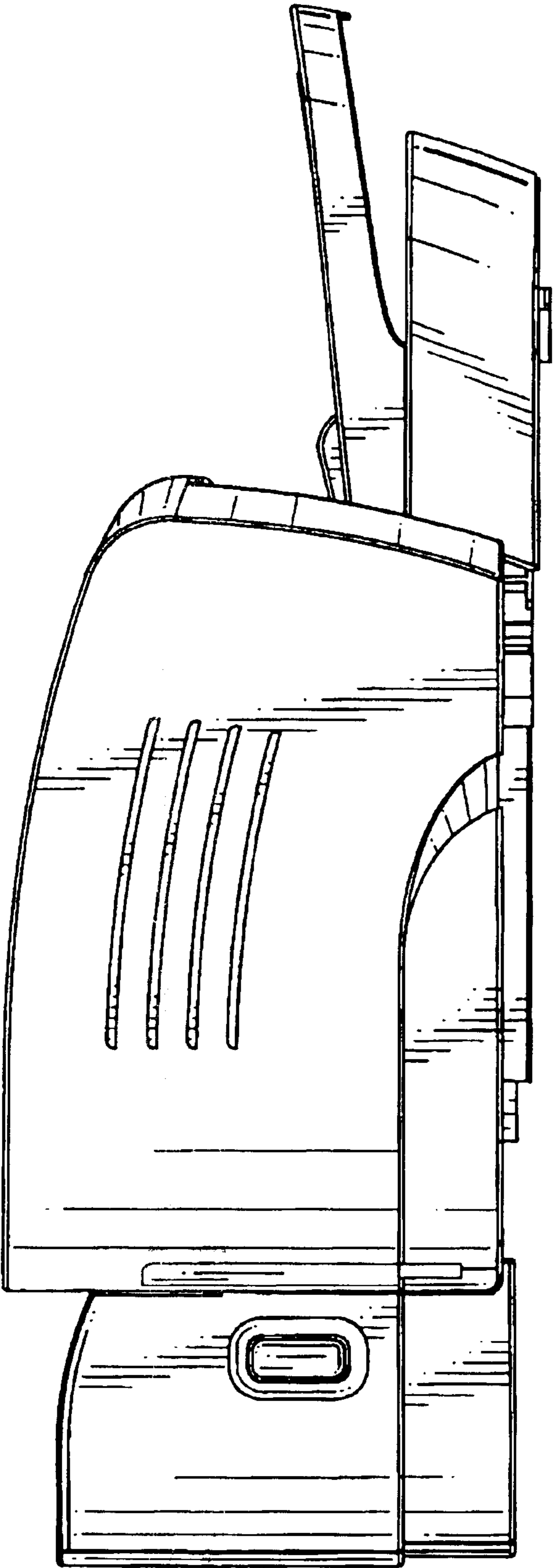


Figure 4

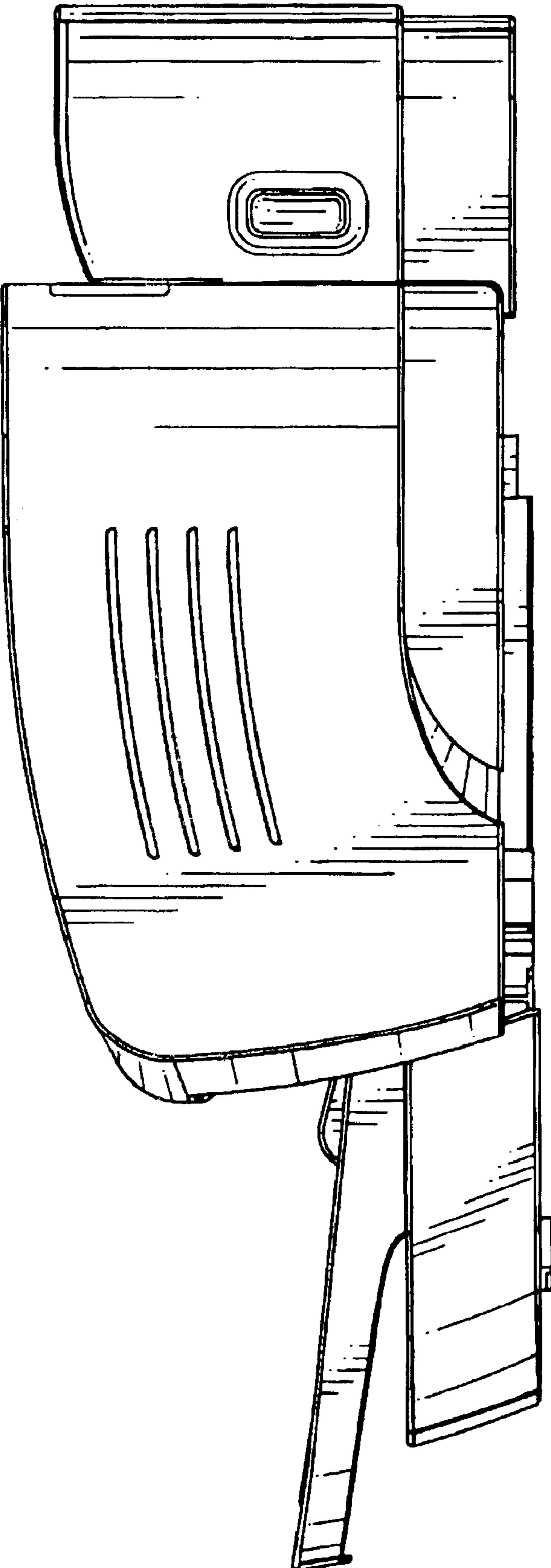


Figure 5

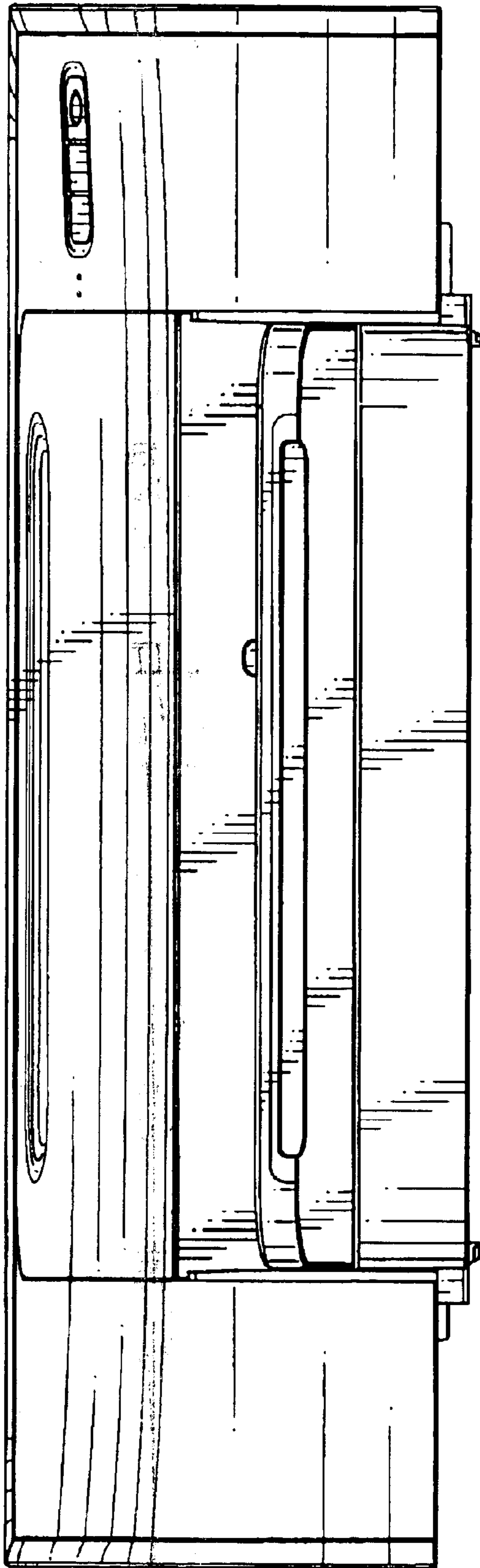


Figure 6

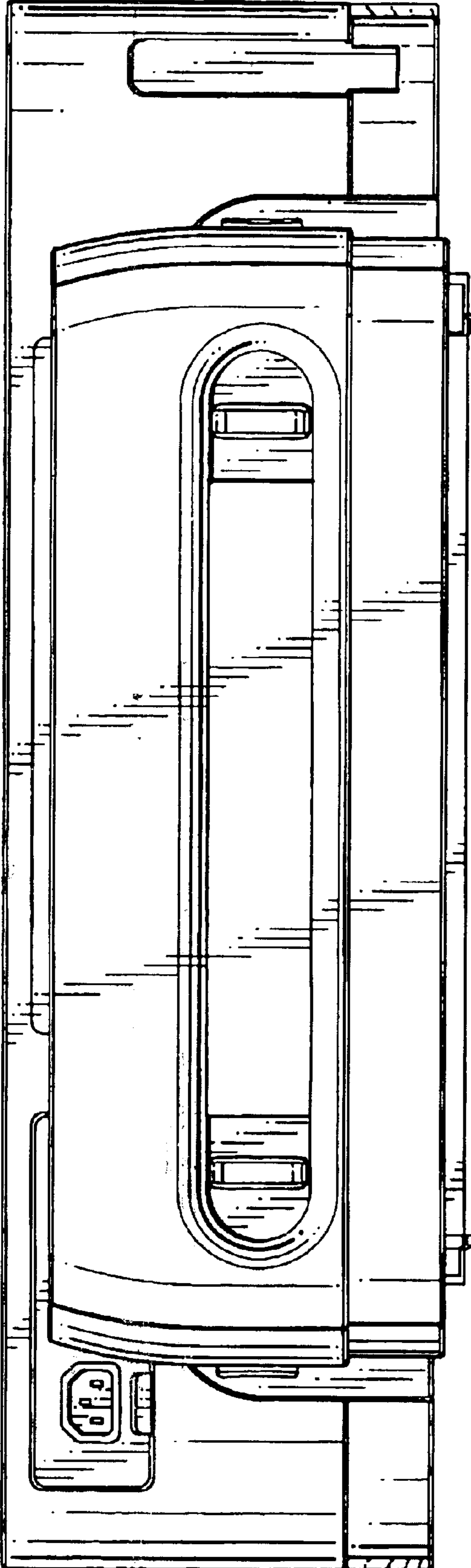


Figure 7