



US00D530736S

(12) **United States Design Patent**
Beckstrom et al.

(10) **Patent No.:** **US D530,736 S**

(45) **Date of Patent:** **** Oct. 24, 2006**

(54) **PRINTER**

(75) Inventors: **David W. Beckstrom**, Milford, CT (US); **Joseph B. Sugrue**, Fairfield, CT (US); **Charles W. Klein**, Stratford, CT (US); **David H. Brooks**, Wilton, CT (US)

(73) Assignee: **Pitney Bowes Inc.**, Stamford, CT (US)

(**) Term: **14 Years**

(21) Appl. No.: **29/225,977**

(22) Filed: **Mar. 23, 2005**

(51) **LOC (8) Cl.** **18-02**

(52) **U.S. Cl.** **D18/50**

(58) **Field of Classification Search** D18/36-39, D18/51, 53-54, 54.1, 55; D14/420-425, D14/462-470; 399/107; 400/613, 613.1-613.4, 400/691.1-691.4, 691-694
See application file for complete search history.

(56) **References Cited**

U.S. PATENT DOCUMENTS

D210,108 S * 2/1968 Kooch D18/50
D325,927 S * 5/1992 Fushiya D18/54
D378,927 S * 4/1997 Kasahara et al. D18/50

D439,608 S * 3/2001 Gassett et al. D18/55
D444,813 S * 7/2001 Quijano D18/55
D452,706 S * 1/2002 Senshiki D18/55
D460,478 S * 7/2002 Bishop et al. D18/55
D501,502 S * 2/2005 Scully et al. D18/50
D508,713 S * 8/2005 Fetherolf et al. D18/55
D519,548 S * 4/2006 Bergstrom D18/50
2005/0147452 A1 * 7/2005 Sugimoto et al. 400/613

* cited by examiner

Primary Examiner—Cathy Anne MacCormac

(74) *Attorney, Agent, or Firm*—George M. MacDonald; Steven J. Shapiro; Angelo N. Chaclas

(57) **CLAIM**

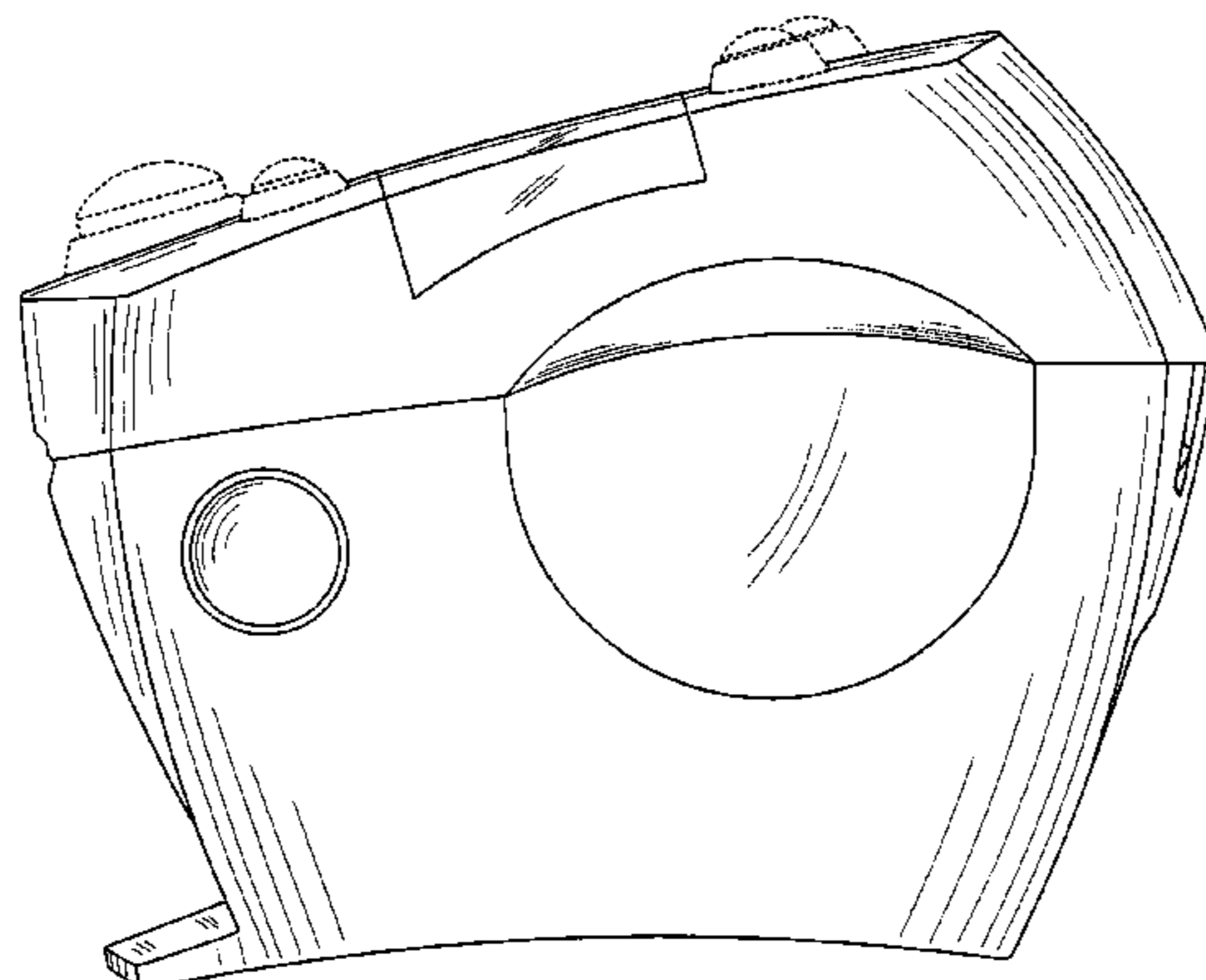
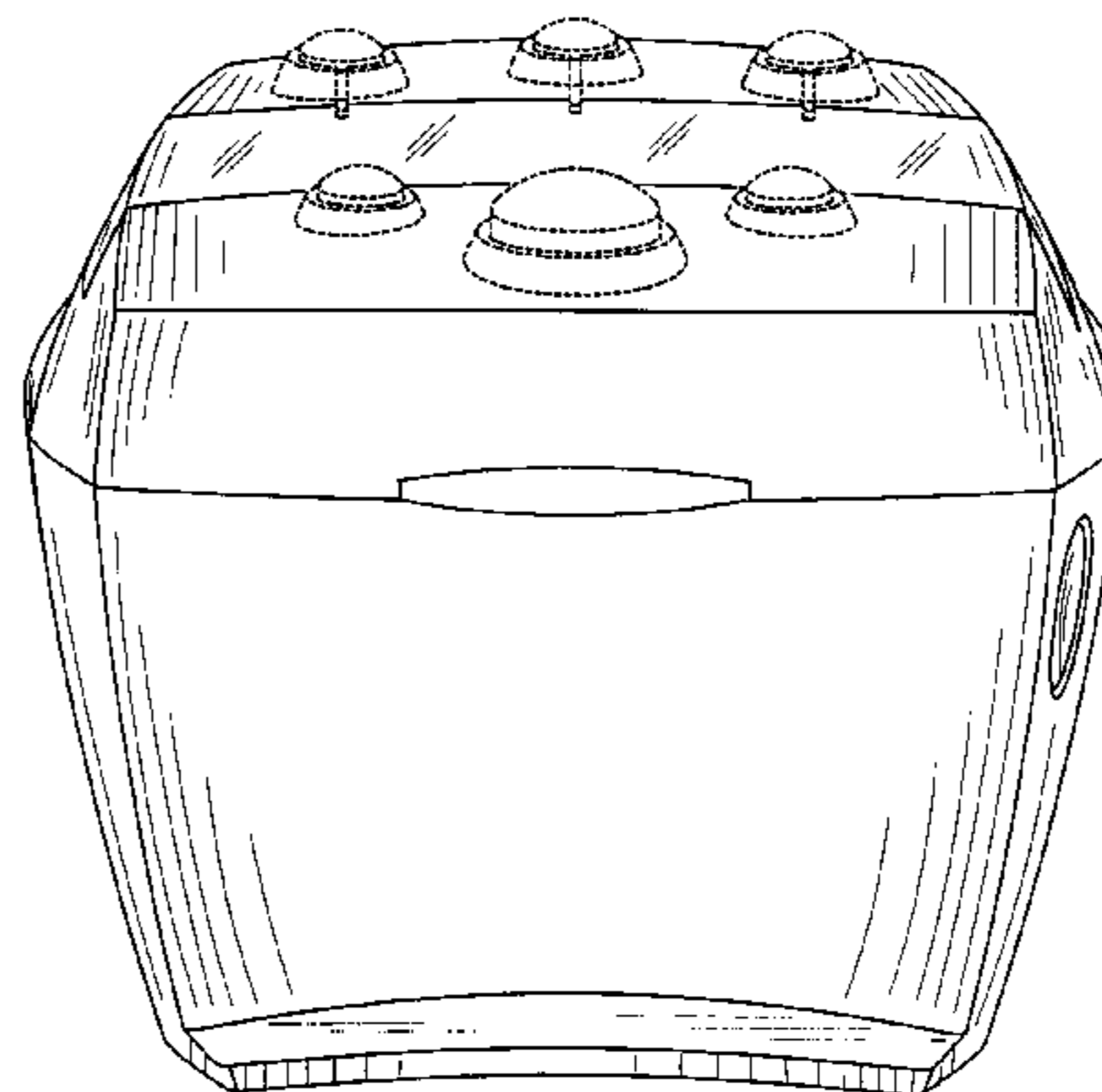
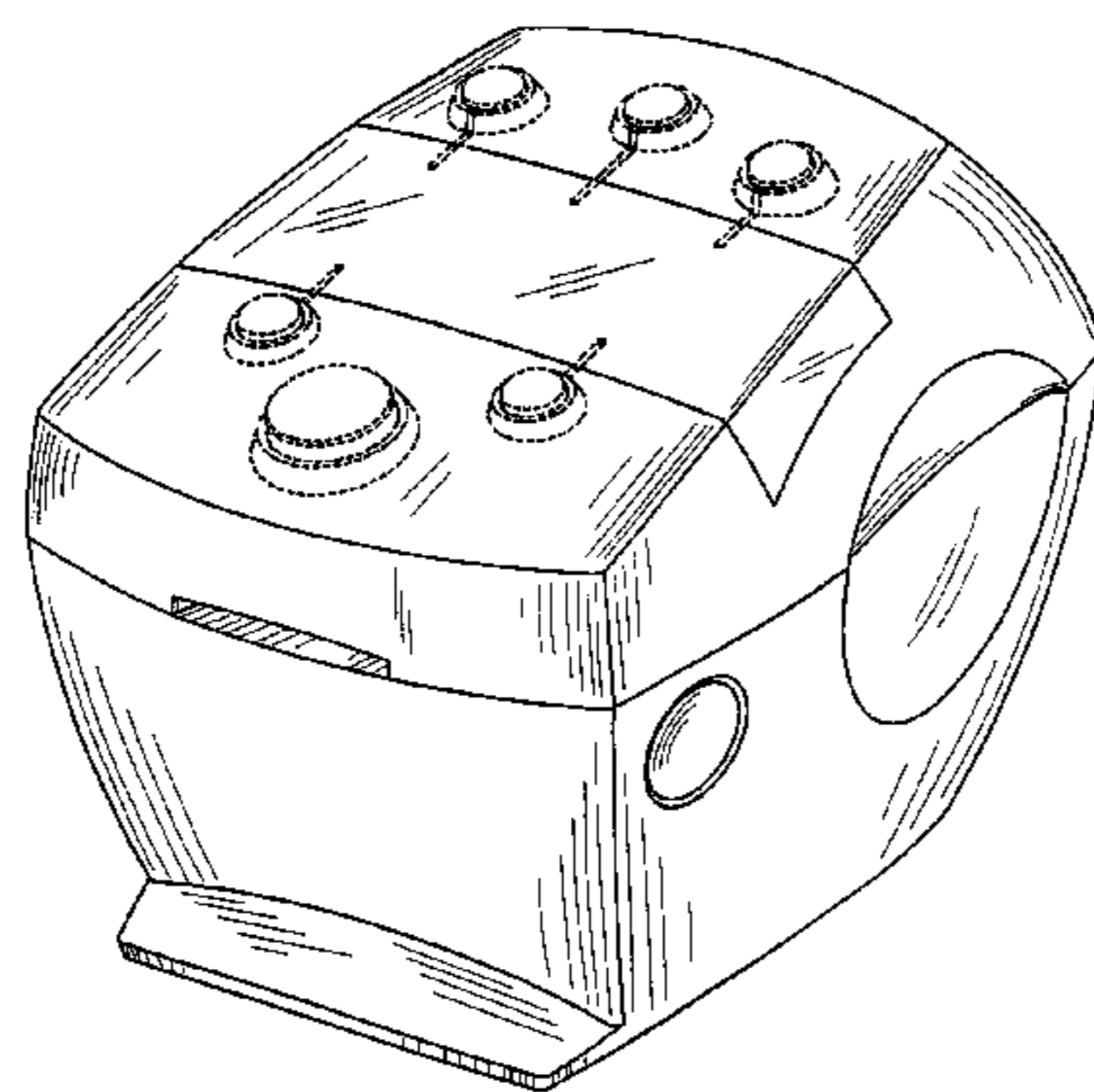
The ornamental design for a printer, as shown and described.

DESCRIPTION

FIG. 1 is a top, front and right side perspective view of a printer according to the present invention;
FIG. 2 is a front view thereof;
FIG. 3 is a top plan view thereof;
FIG. 4 is a left side view thereof;
FIG. 5 is a right view thereof; and,
FIG. 6 is a rear view thereof.

The broken lines are for illustrative purposes only and form no part of the claimed design.

1 Claim, 6 Drawing Sheets



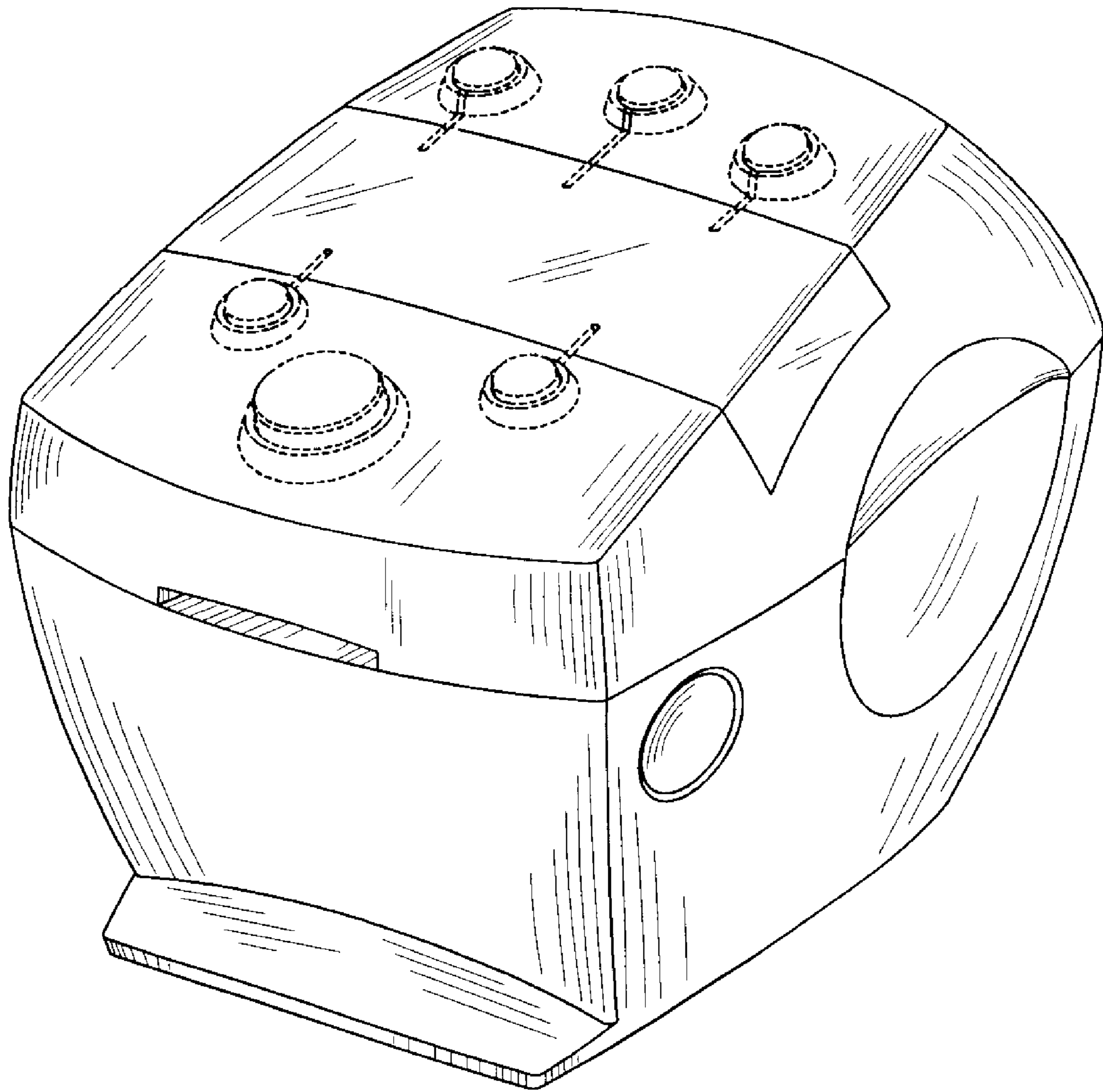


FIG. 1

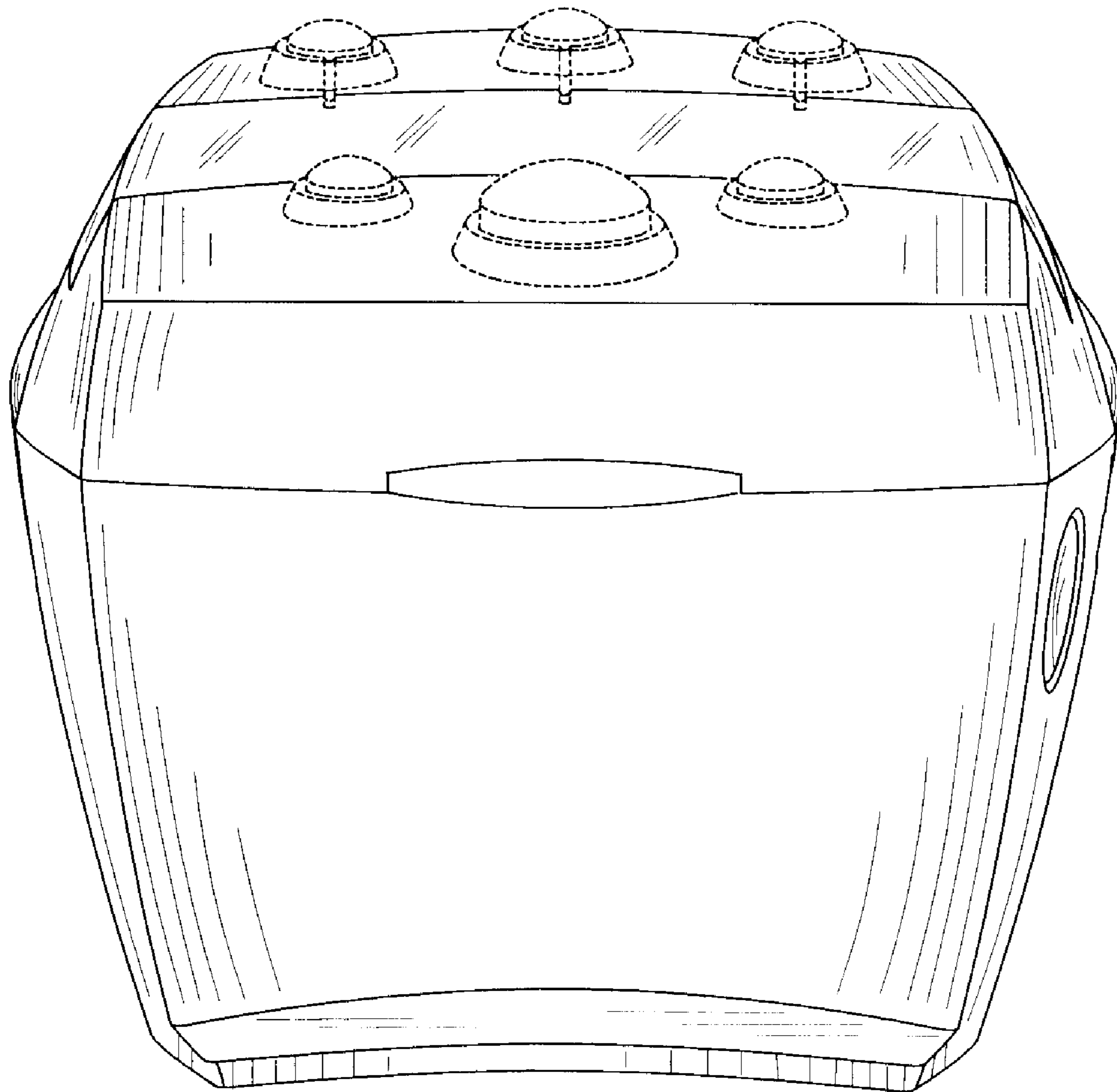


FIG. 2

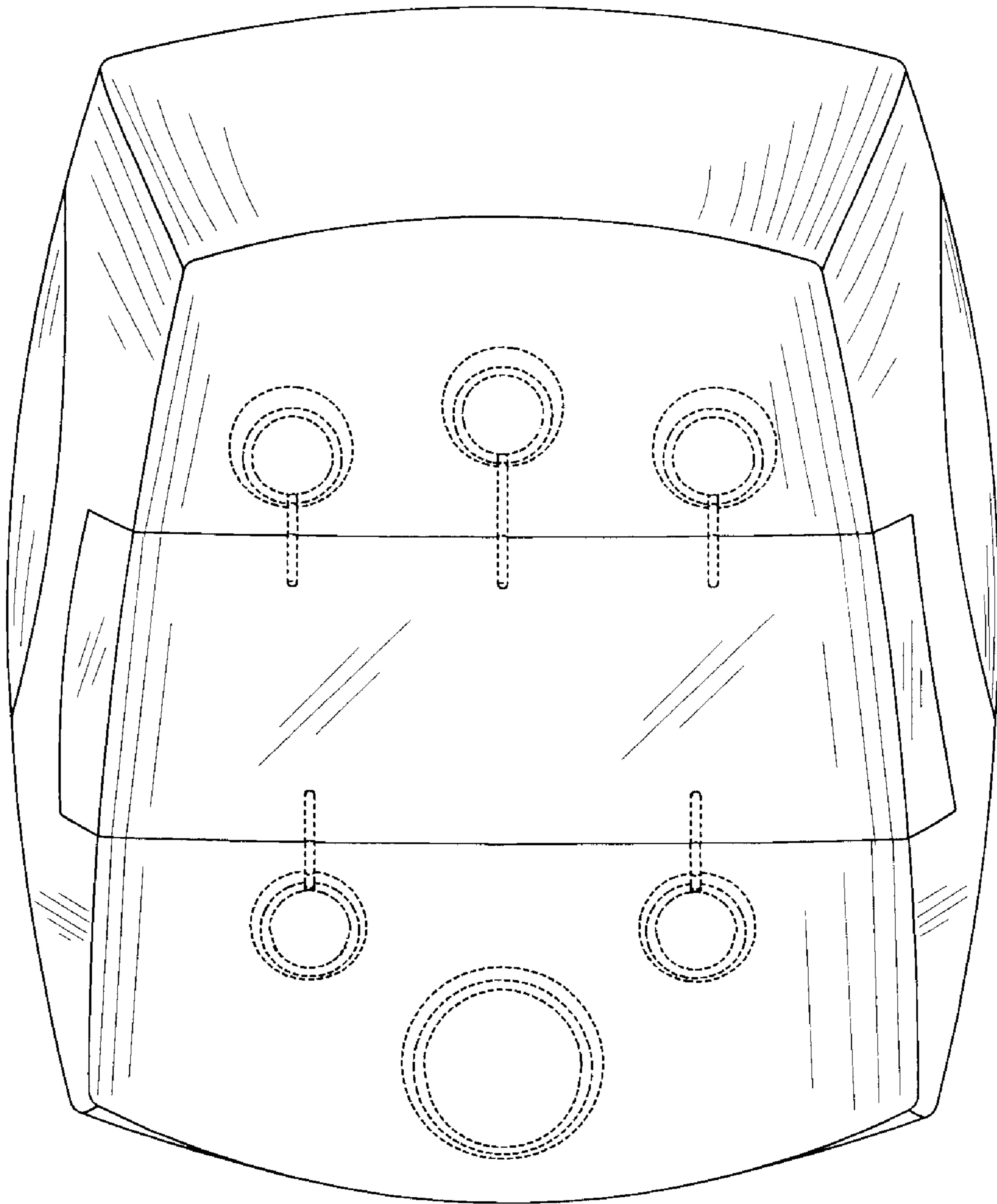


FIG. 3

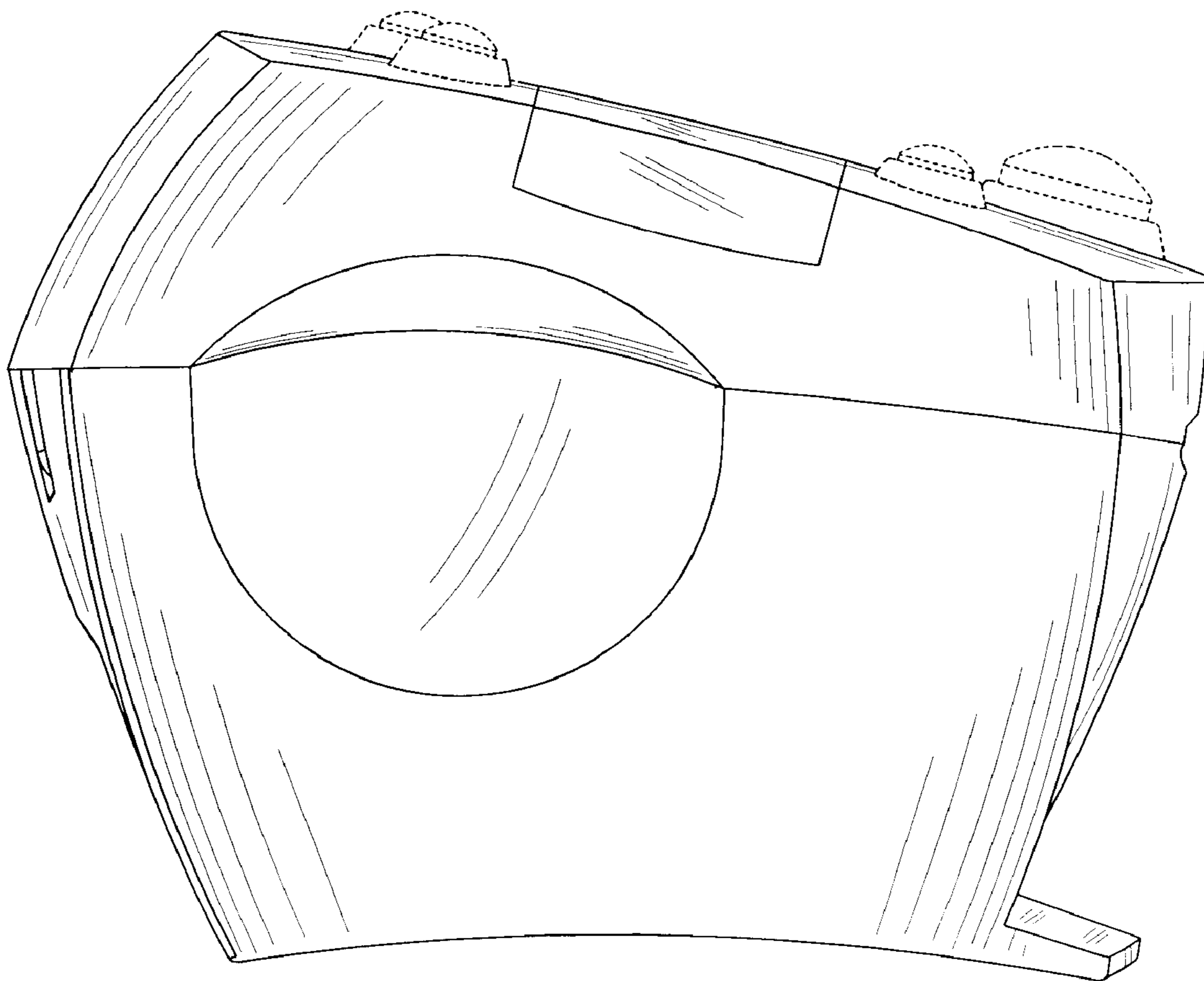


FIG. 4

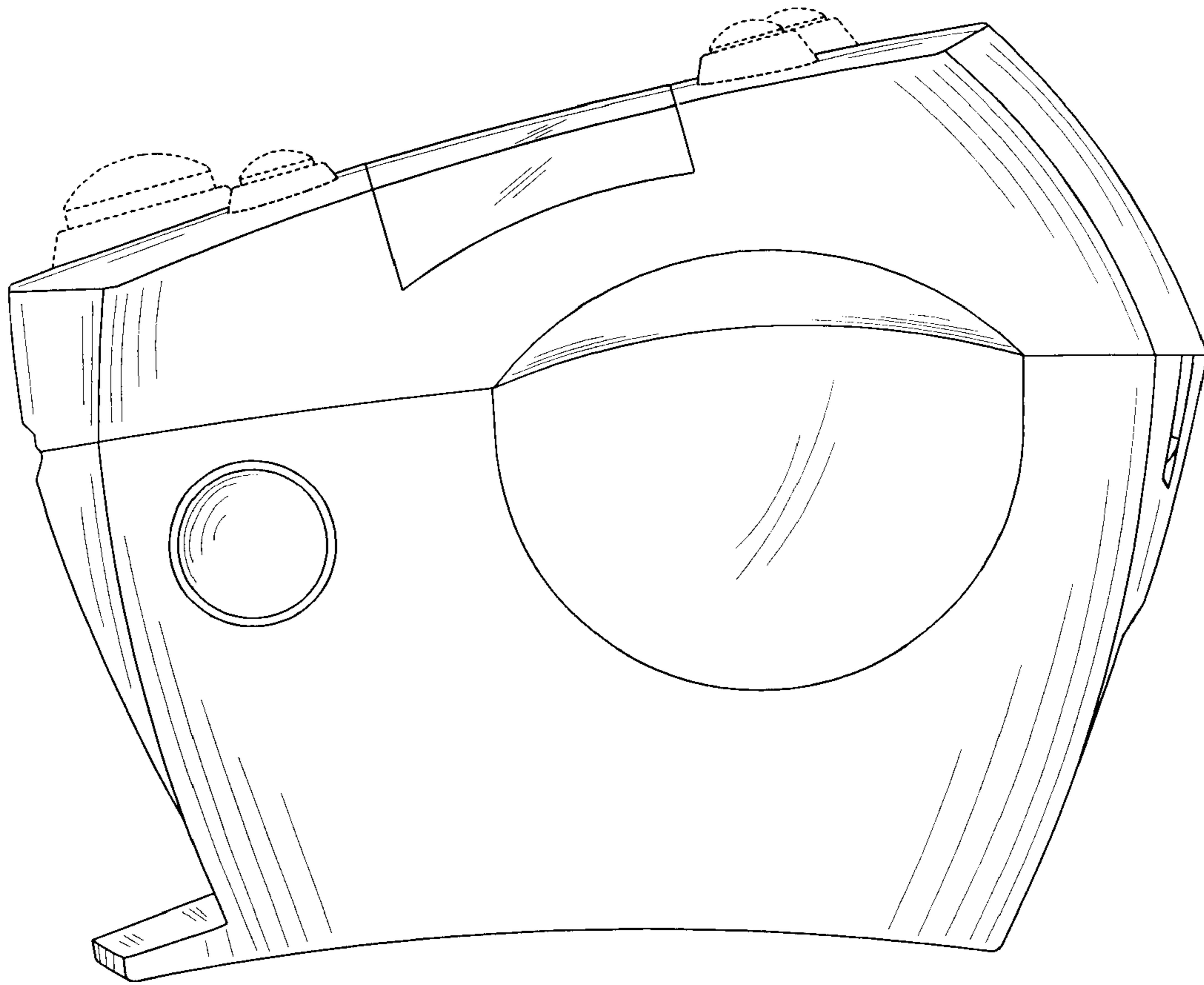


FIG. 5

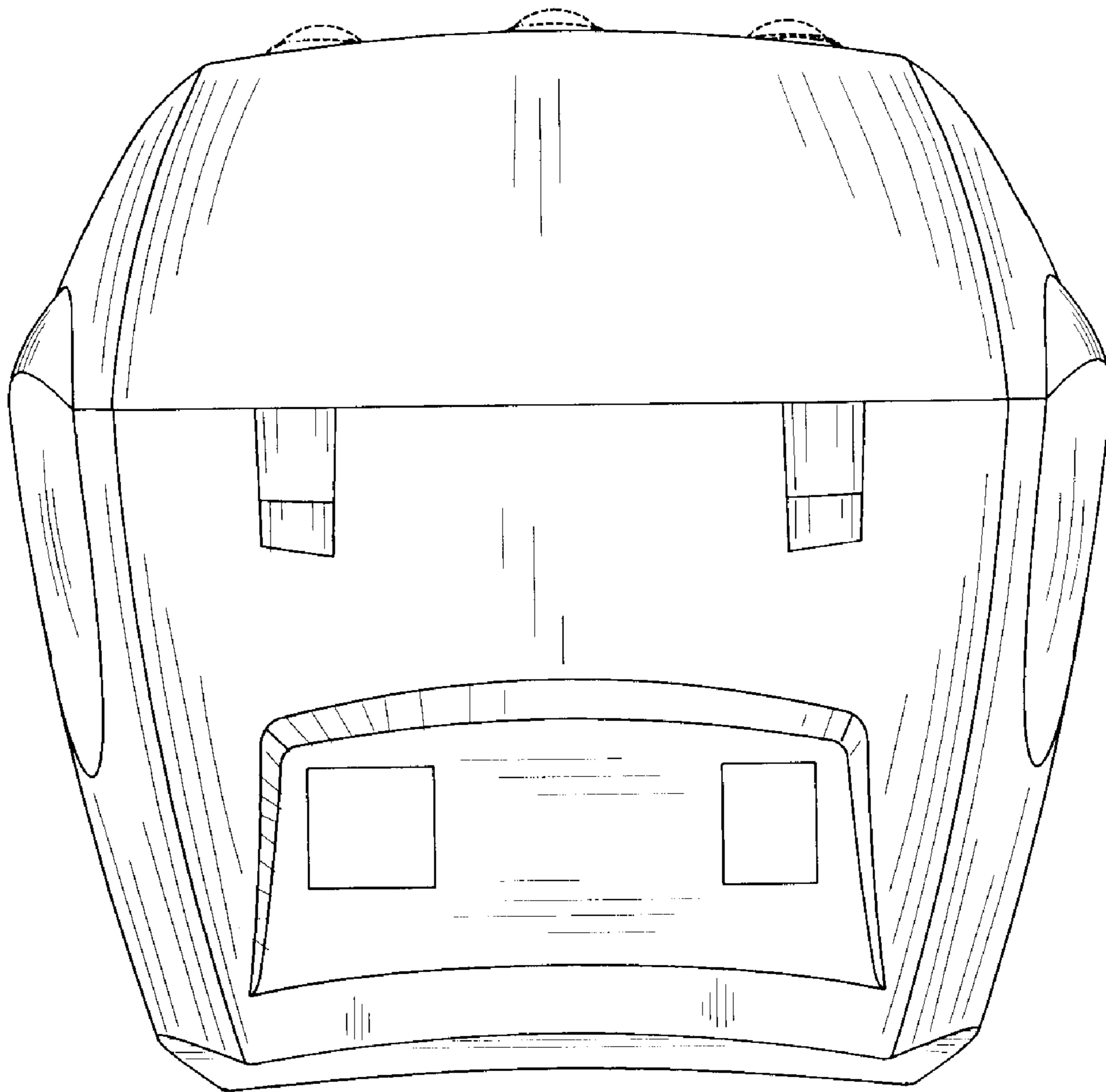


FIG. 6