



US00D530732S

(12) **United States Design Patent**  
**Tanaka et al.**

(10) **Patent No.:** **US D530,732 S**  
(45) **Date of Patent:** **\*\* Oct. 24, 2006**

(54) **CAMERA**

(75) Inventors: **Hirohisa Tanaka**, Tokyo (JP); **Michio Deguchi**, Tokyo (JP)

(73) Assignee: **Sony Computer Entertainment, Inc.**, Tokyo (JP)

(\*\*) Term: **14 Years**

(21) Appl. No.: **29/216,849**

(22) Filed: **Nov. 10, 2004**

(30) **Foreign Application Priority Data**

May 10, 2004 (JP) ..... D2004-013750

(51) **LOC (8) Cl.** ..... **16-01**

(52) **U.S. Cl.** ..... **D16/202**

(58) **Field of Classification Search** ..... D16/200–206,  
D16/208, 218; 348/373–376; 358/906, 909.1;  
396/535–541

See application file for complete search history.

(56) **References Cited**

**U.S. PATENT DOCUMENTS**

|            |   |         |                |       |         |
|------------|---|---------|----------------|-------|---------|
| D258,444 S | * | 3/1981  | Mineshima      | ..... | D16/218 |
| D365,585 S | * | 12/1995 | Ray            | ..... | D16/202 |
| D438,538 S |   | 3/2001  | Ogasawara      |       |         |
| D440,587 S |   | 4/2001  | Morooka        |       |         |
| D477,316 S |   | 7/2003  | Ogasawara      |       |         |
| D477,345 S | * | 7/2003  | Hildreth       | ..... | D16/203 |
| D482,030 S |   | 11/2003 | Kataoka        |       |         |
| D486,843 S |   | 2/2004  | Takahashi      |       |         |
| D493,455 S |   | 7/2004  | Ogasawara      |       |         |
| D497,925 S | * | 11/2004 | Zhang et al.   | ..... | D16/202 |
| D506,215 S | * | 6/2005  | Lin et al.     | ..... | D16/218 |
| D518,842 S | * | 4/2006  | Hilborn et al. | ..... | D16/208 |

**FOREIGN PATENT DOCUMENTS**

JP D1178690 S 7/2003

\* cited by examiner

*Primary Examiner*—Adir Aronovich

(74) *Attorney, Agent, or Firm*—Rader, Fishamn & Grauer PLLC

(57) **CLAIM**

The ornamental design for a camera, as shown and described.

**DESCRIPTION**

FIG. 1 is a front elevational view of a camera showing our new design:

FIG. 2 is a rear elevational view thereof;

FIG. 3 is a right side elevational view thereof, a left side elevational view thereof being a mirror image;

FIG. 4 is a top plan view thereof;

FIG. 5 is a bottom plan view thereof;

FIG. 6 is a front top right perspective view thereof;

FIG. 7 is a rear bottom right perspective view thereof;

FIG. 8 is a reduced front elevational view thereof, showing a using condition;

FIG. 9 is a reference cross sectional view thereof, taken along the line IX—IX shown in FIG. 1;

FIG. 10 is a reference cross sectional view thereof, taken along the line X—X shown in FIG. 1; and,

FIG. 11 is a reference cross sectional view thereof, taken along the line XI—XI shown in FIG. 1.

The broken lines showing the environment are for illustrative purposes only and form no part of the claimed design.

All of the material from the Japanese application, which is essential to the claimed design, is included in this application. Any material in the Japanese application, which is not present in this application, forms no part of the claimed design.

**1 Claim, 5 Drawing Sheets**

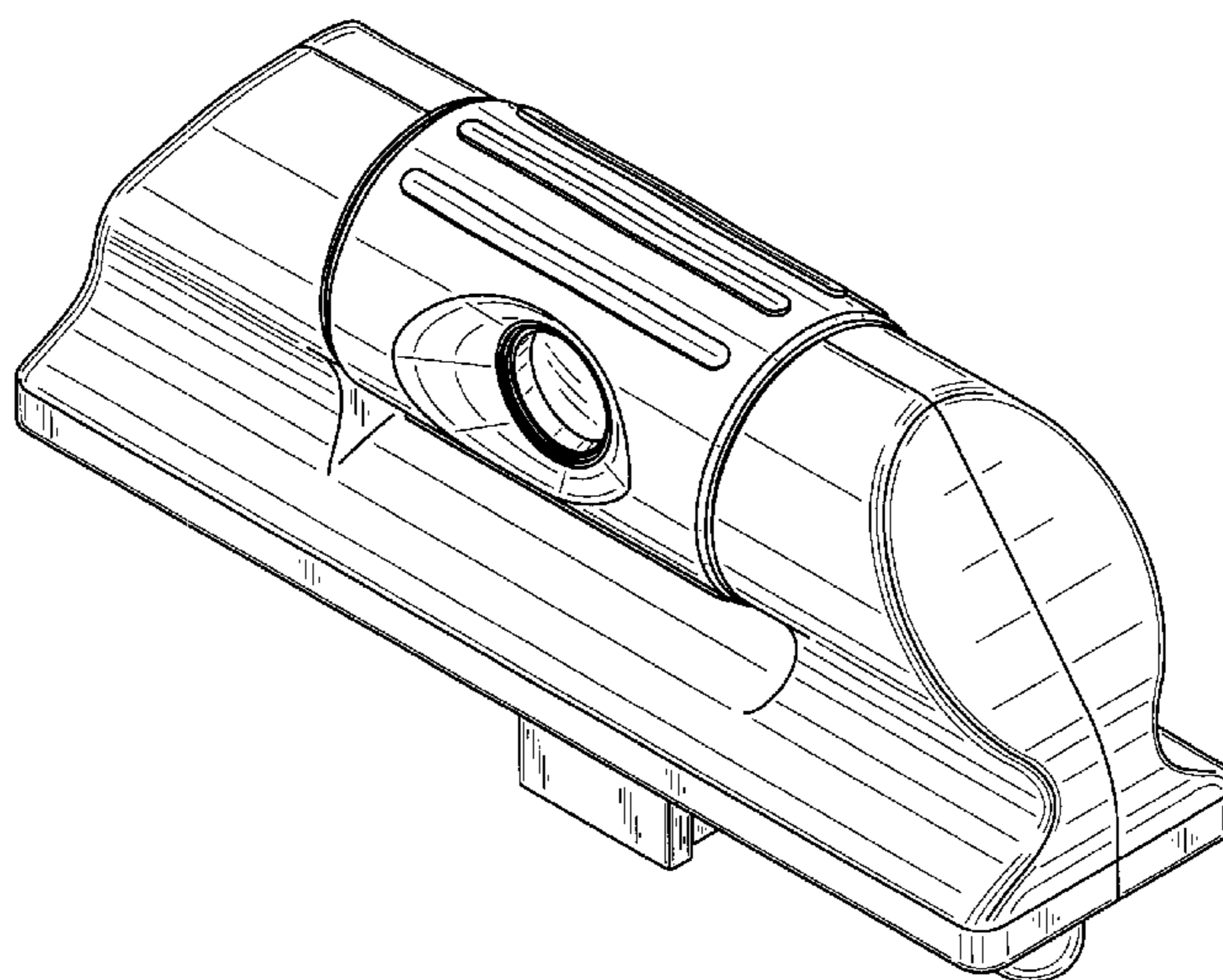


FIG. 1

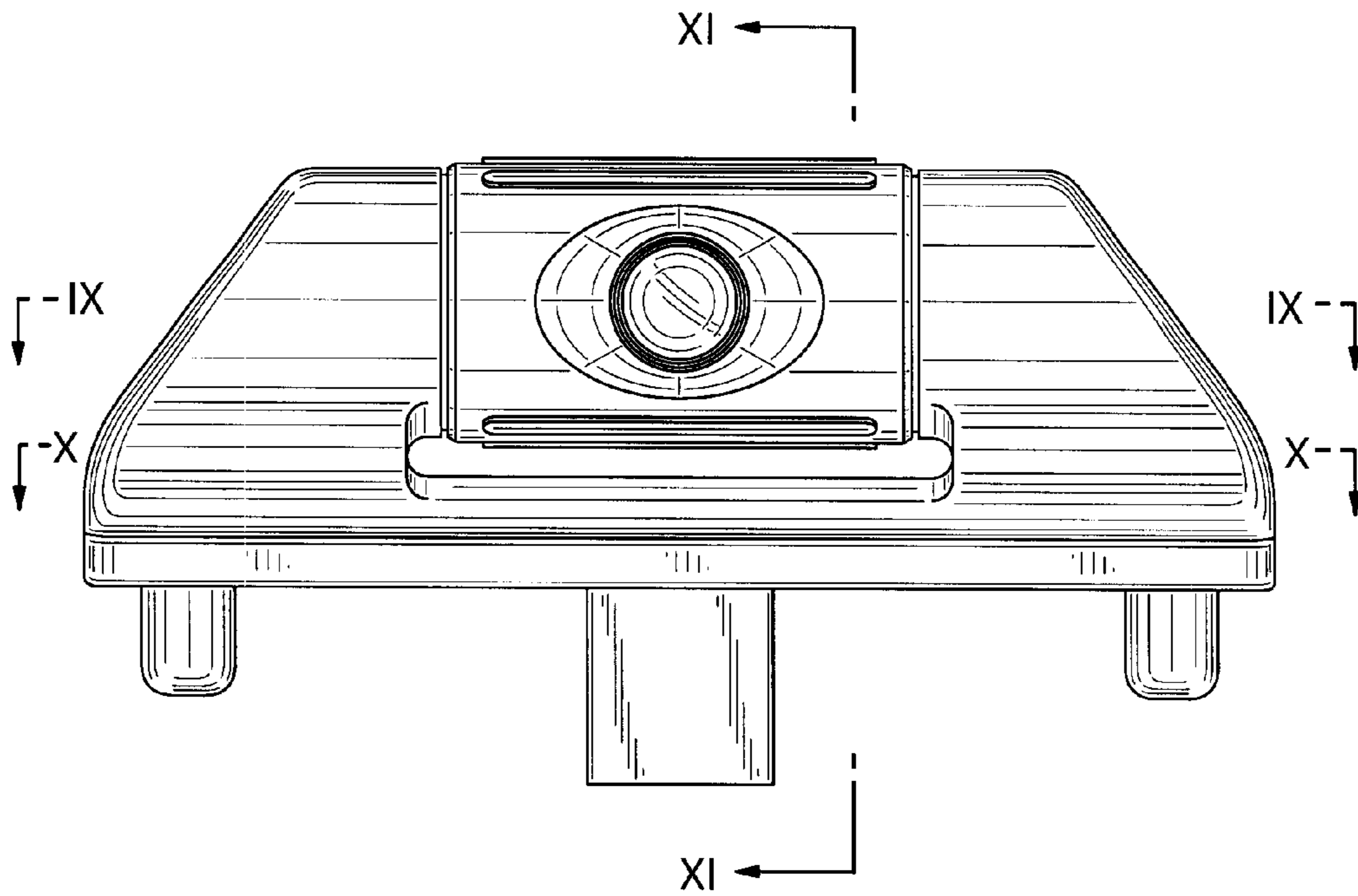


FIG. 2

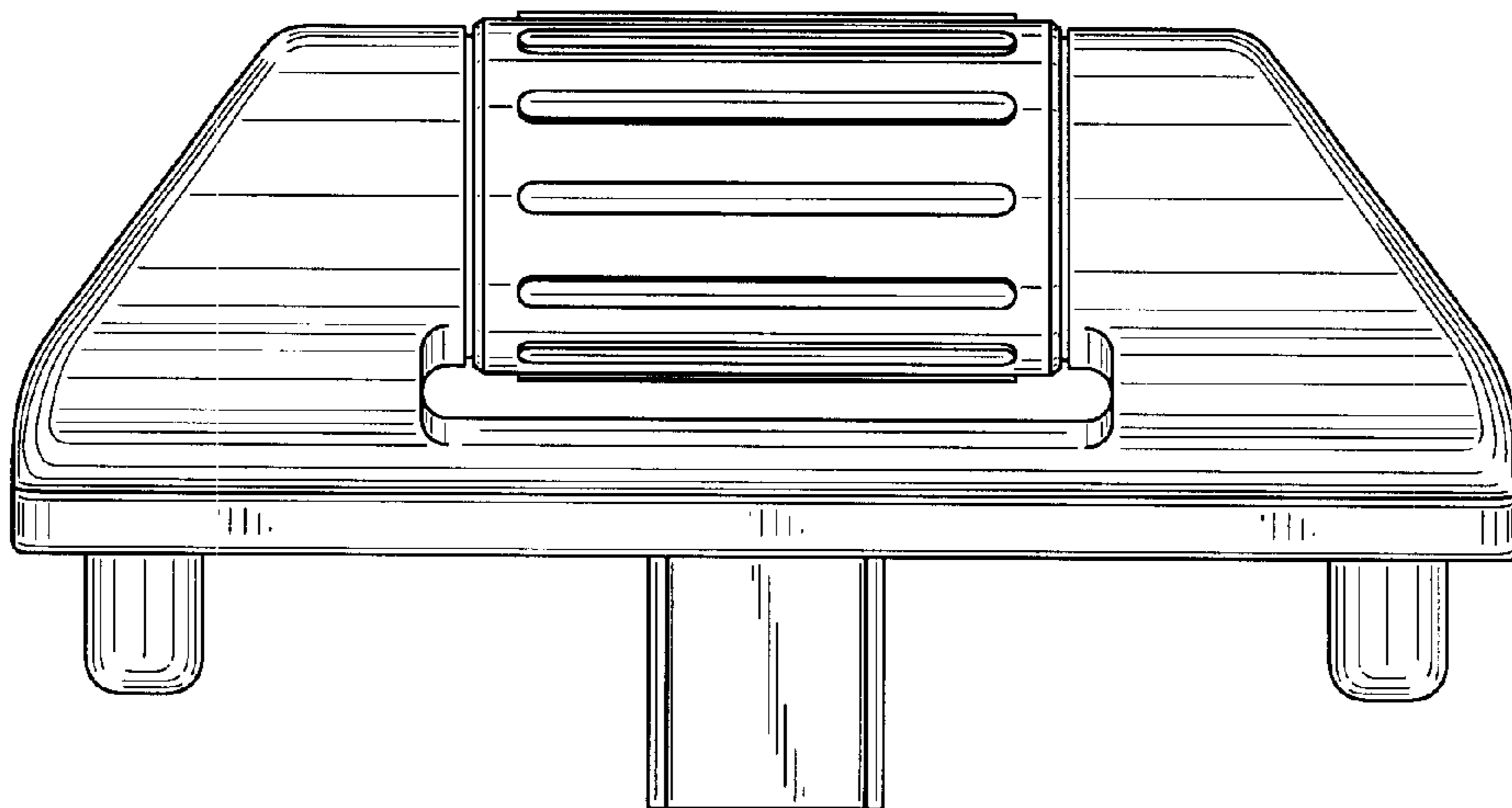


FIG. 3

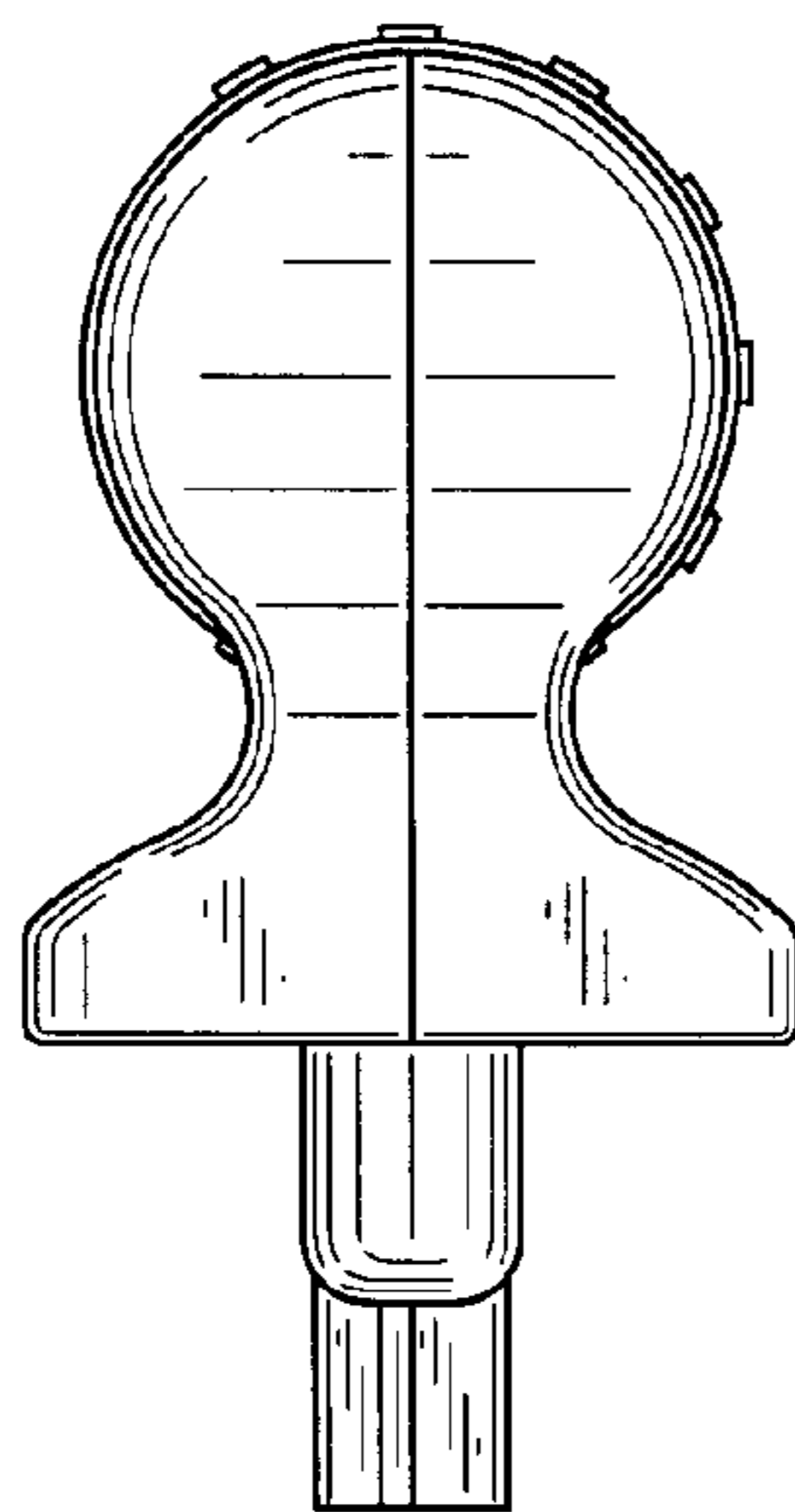
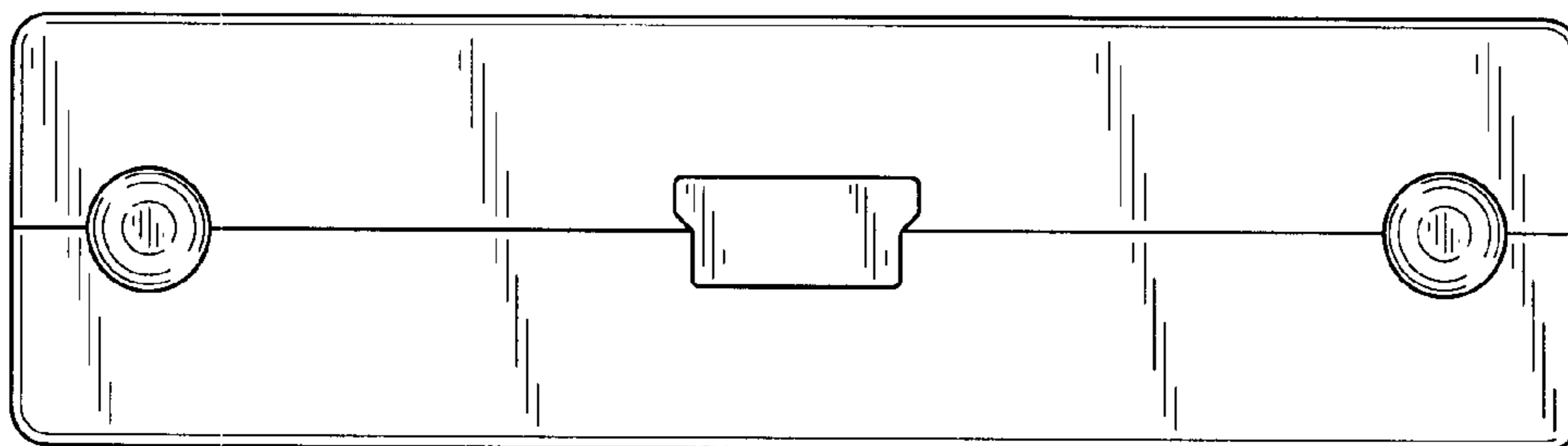


FIG. 4



FIG. 5



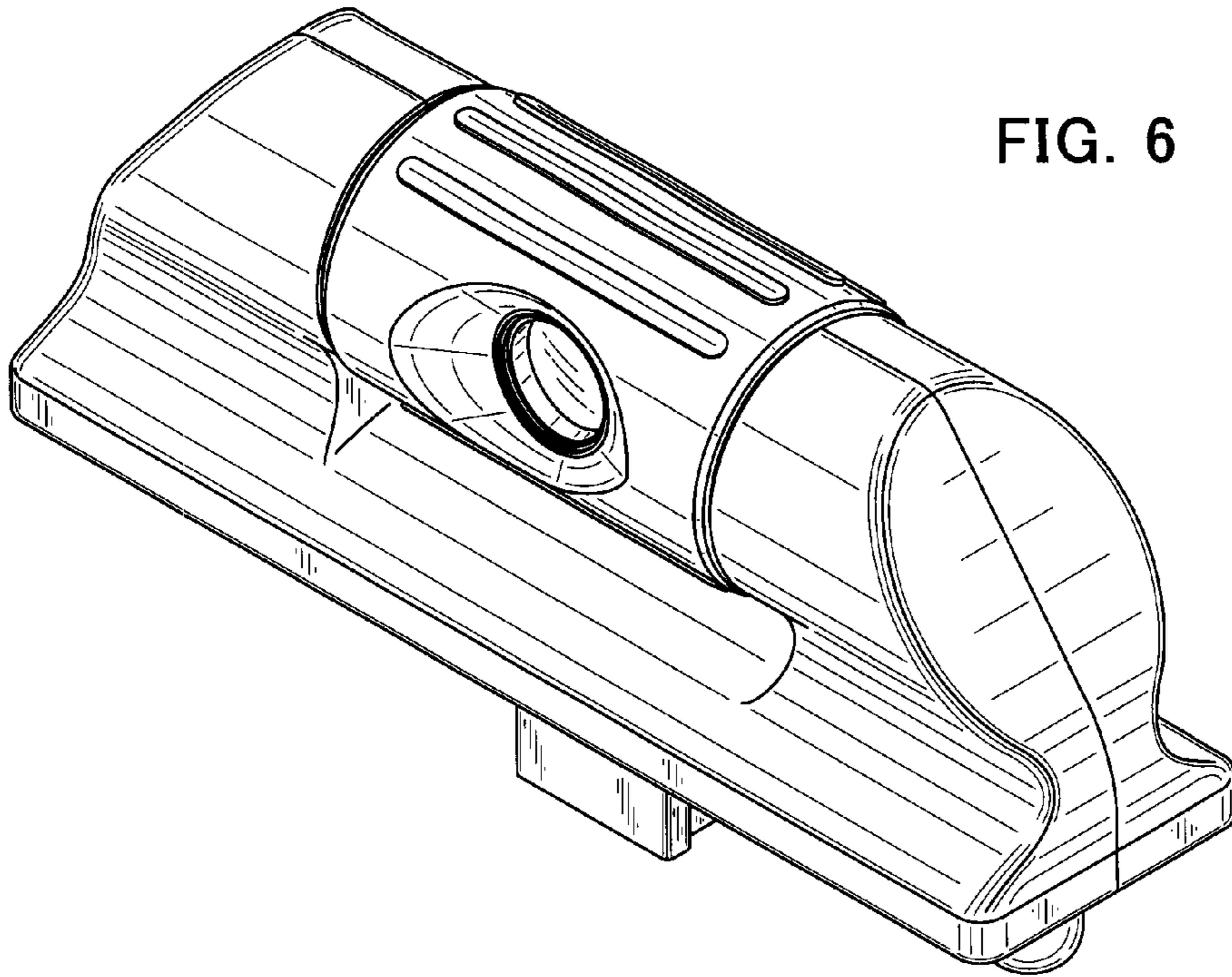


FIG. 6

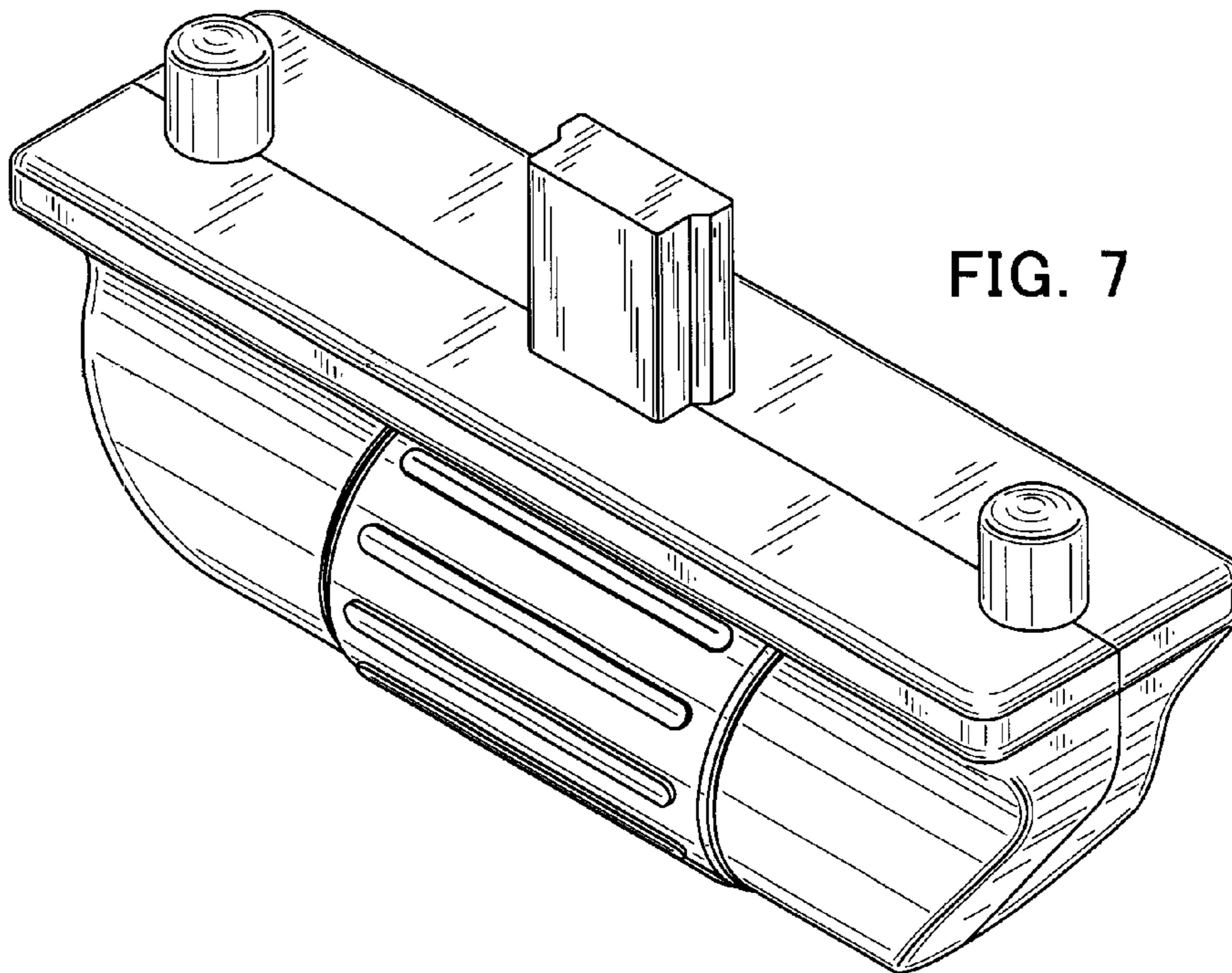


FIG. 7

FIG. 8

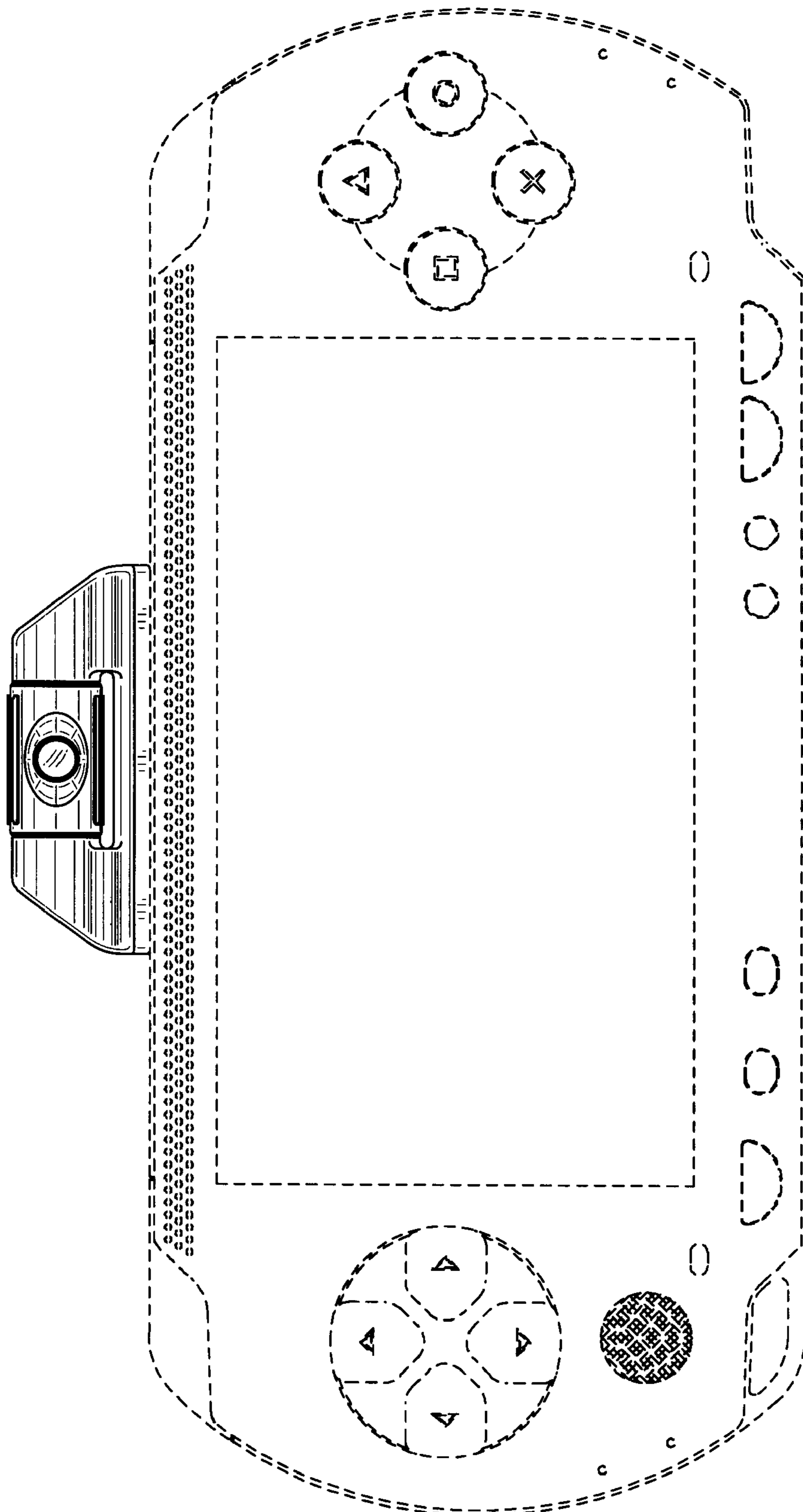


FIG. 9

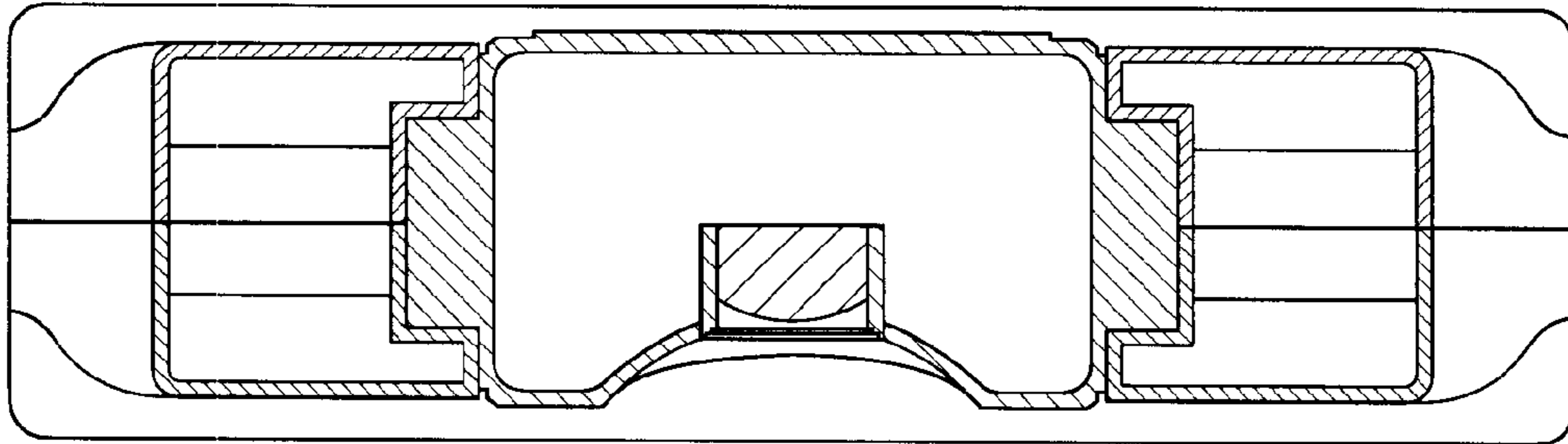


FIG. 10

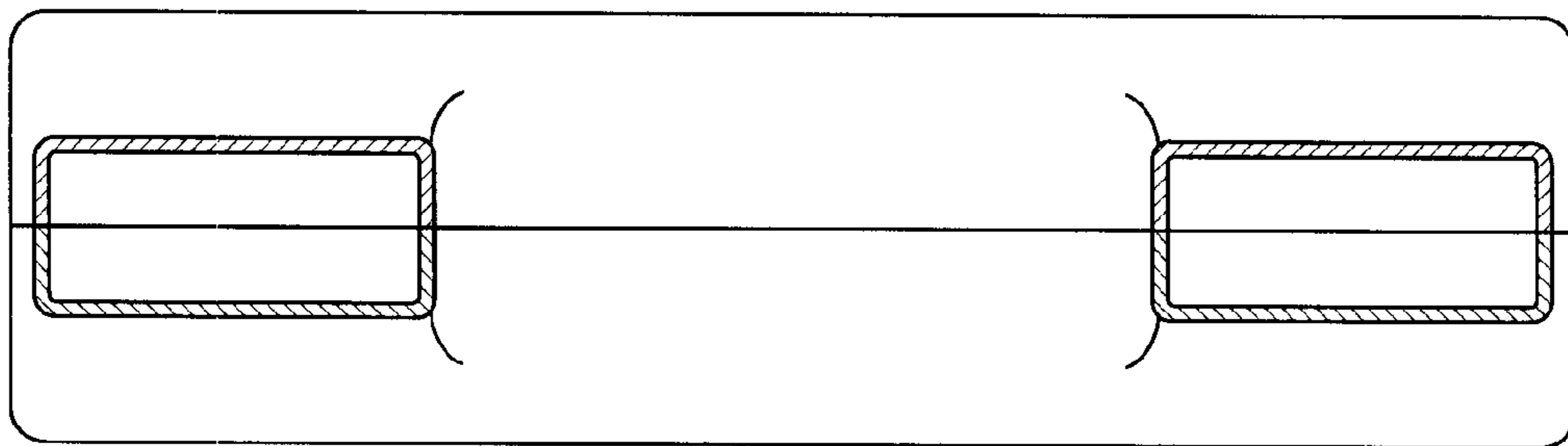


FIG. 11

