



US00D530731S

(12) **United States Design Patent**
Tanaka et al.

(10) **Patent No.:** **US D530,731 S**

(45) **Date of Patent:** **** Oct. 24, 2006**

(54) **CAMERA**

(75) Inventors: **Hirohisa Tanaka**, Tokyo (JP); **Michio Deguchi**, Tokyo (JP)

(73) Assignee: **Sony Computer Entertainment, Inc.**, Tokyo (JP)

(**) **Term:** **14 Years**

(21) Appl. No.: **29/216,836**

(22) Filed: **Nov. 10, 2004**

(30) **Foreign Application Priority Data**

May 10, 2004 (JP) D2004-013737

(51) **LOC (8) Cl.** **16-01**

(52) **U.S. Cl.** **D16/202**

(58) **Field of Classification Search** D16/200–206,
D16/208, 218; 348/373–376; 358/906, 909.1;
396/535–541

See application file for complete search history.

(56) **References Cited**

U.S. PATENT DOCUMENTS

D258,444 S	*	3/1981	Mineshima	D16/218
D365,585 S	*	12/1995	Ray	D16/202
D438,538 S		3/2001	Ogasawara		
D440,587 S		4/2001	Morooka		
D477,316 S		7/2003	Ogasawara		
D477,345 S	*	7/2003	Hildreth	D16/203
D482,030 S		11/2003	Kataoka		
D486,843 S		2/2004	Takahashi		
D493,455 S		7/2004	Ogasawara		
D497,925 S	*	11/2004	Zhang et al.	D16/202
D506,215 S	*	6/2005	Lin et al.	D16/218
D518,842 S	*	4/2006	Hilborn et al.	D16/208

FOREIGN PATENT DOCUMENTS

JP D1178690 S 7/2003

* cited by examiner

Primary Examiner—Adir Aronovich

(74) *Attorney, Agent, or Firm*—Rader, Fishman & Grauer PLLC

(57) **CLAIM**

The ornamental design for a camera, as shown and described.

DESCRIPTION

FIG. 1 is a front elevational view of a camera showing our new design:

FIG. 2 is a rear elevational view thereof;

FIG. 3 is a right side elevational view thereof, a left side elevational view being a mirror image thereof;

FIG. 4 is a bottom plan view thereof;

FIG. 5 is a front top right perspective view thereof;

FIG. 6 is a rear bottom right perspective view thereof;

FIG. 7 is a reduced front elevational view thereof, showing a using condition;

FIG. 8 is a reference cross sectional view thereof, taken along the line VIII—VIII shown in FIG. 1;

FIG. 9 is a reference cross sectional view thereof, taken along the line IX—IX shown in FIG. 1; and,

FIG. 10 is a reference cross sectional view thereof, taken along the line X—X shown FIG. 1.

The broken lines showing the environment are for illustrative purposes only and form no part of the claimed design.

All of the material from the Japanese application, which is essential to the claimed design, is included in this application. Any material in the Japanese application, which is not present in this application, forms no part of the claimed design.

1 Claim, 5 Drawing Sheets

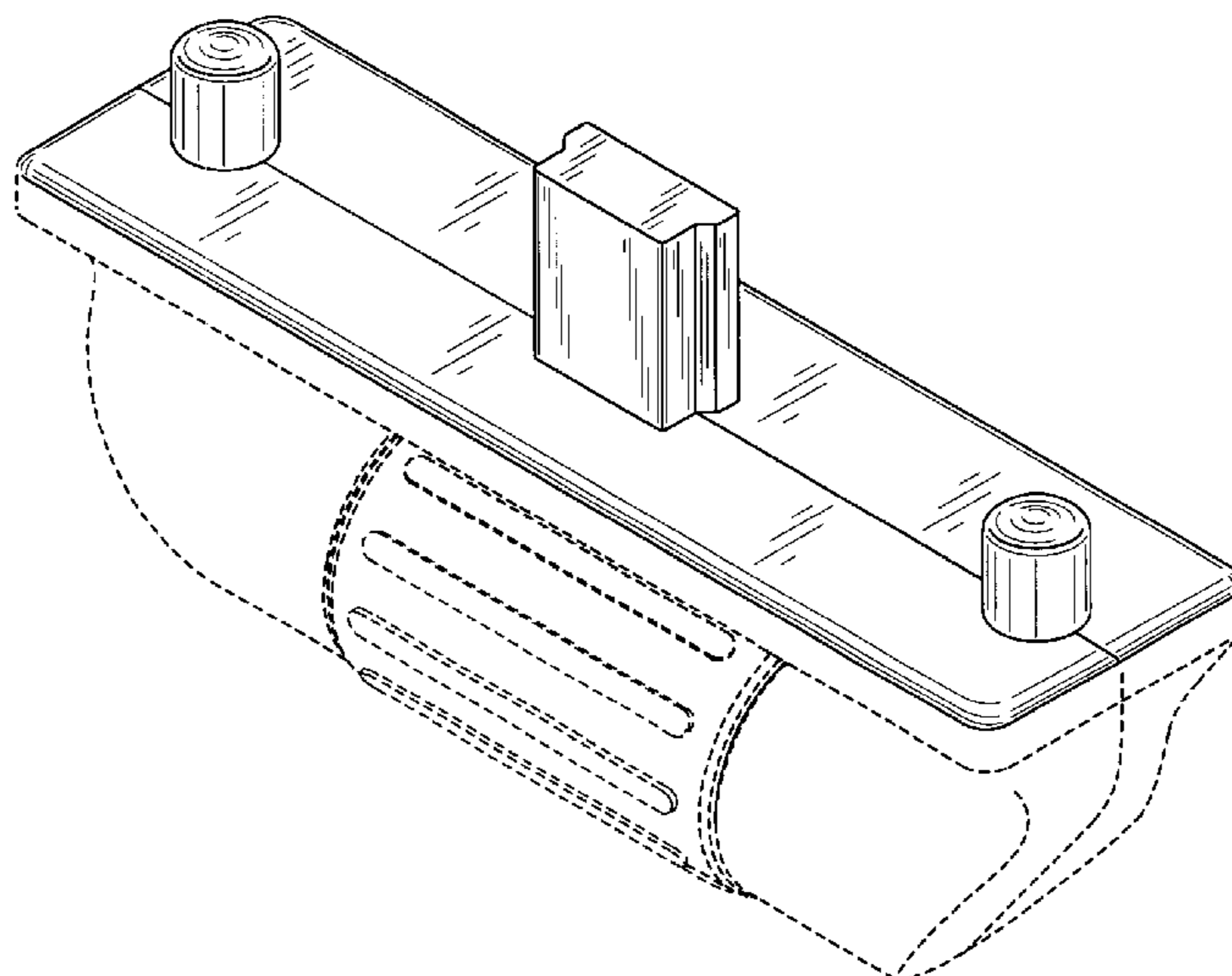


FIG. 1

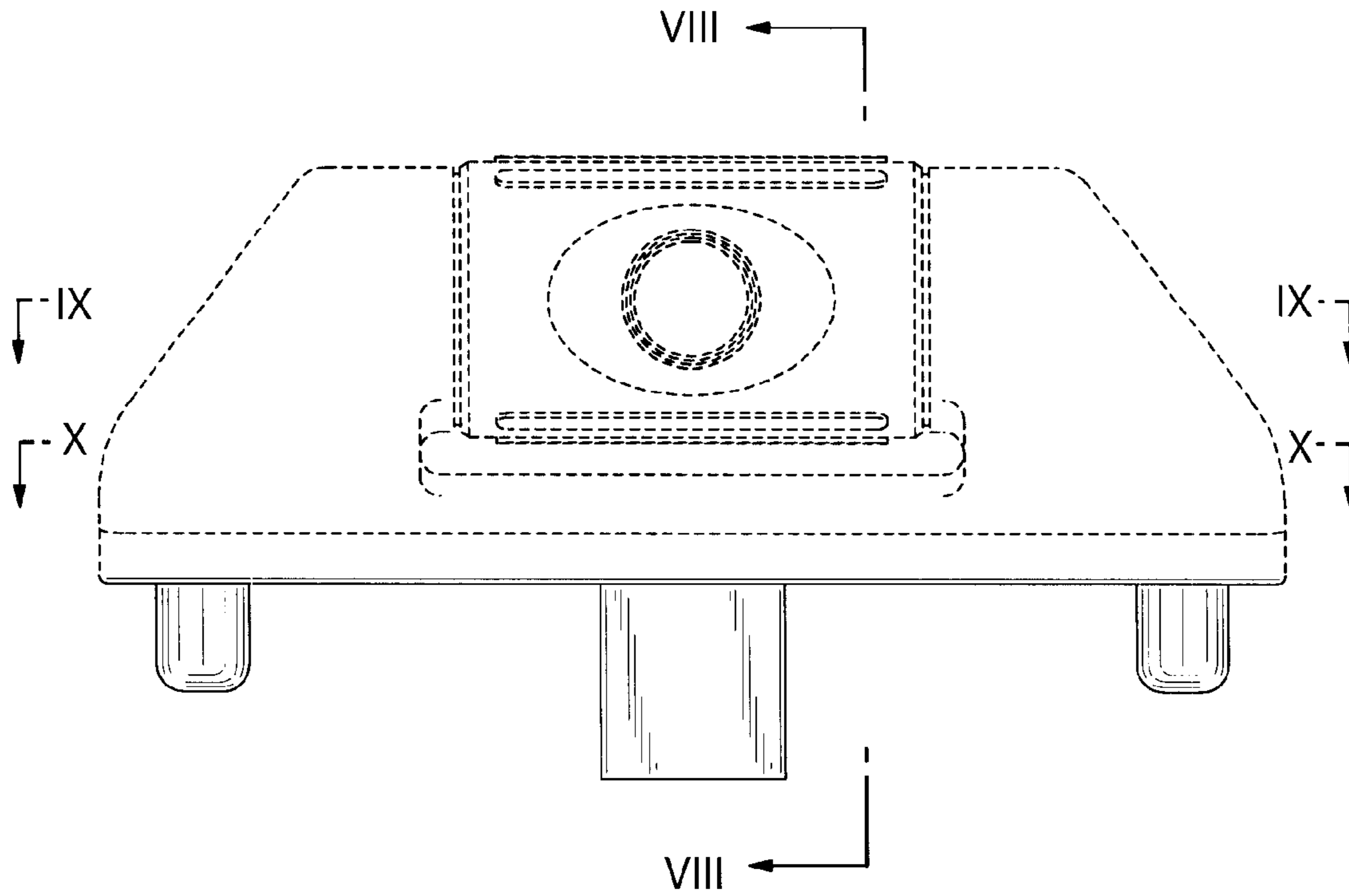


FIG. 2

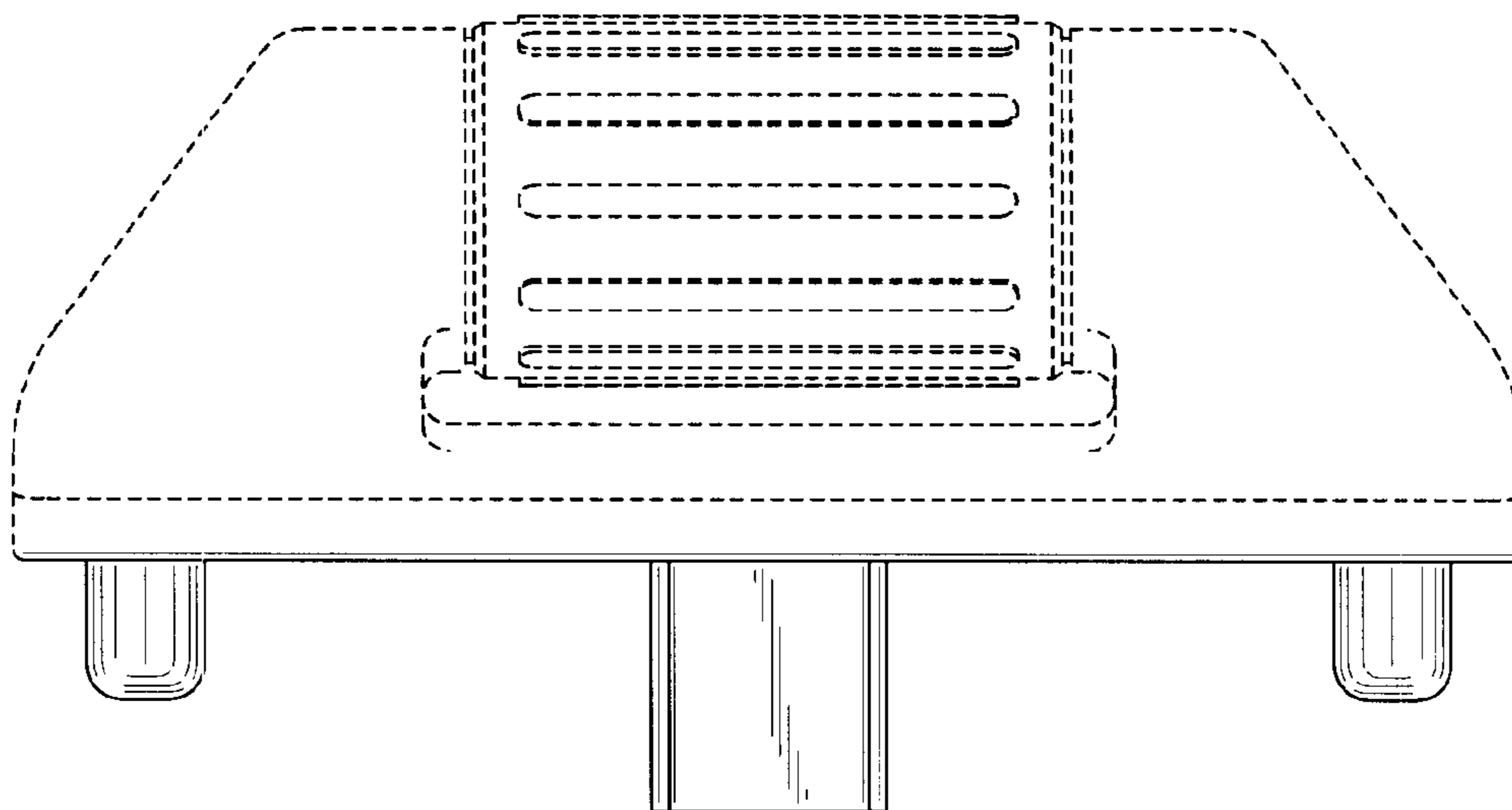


FIG. 3

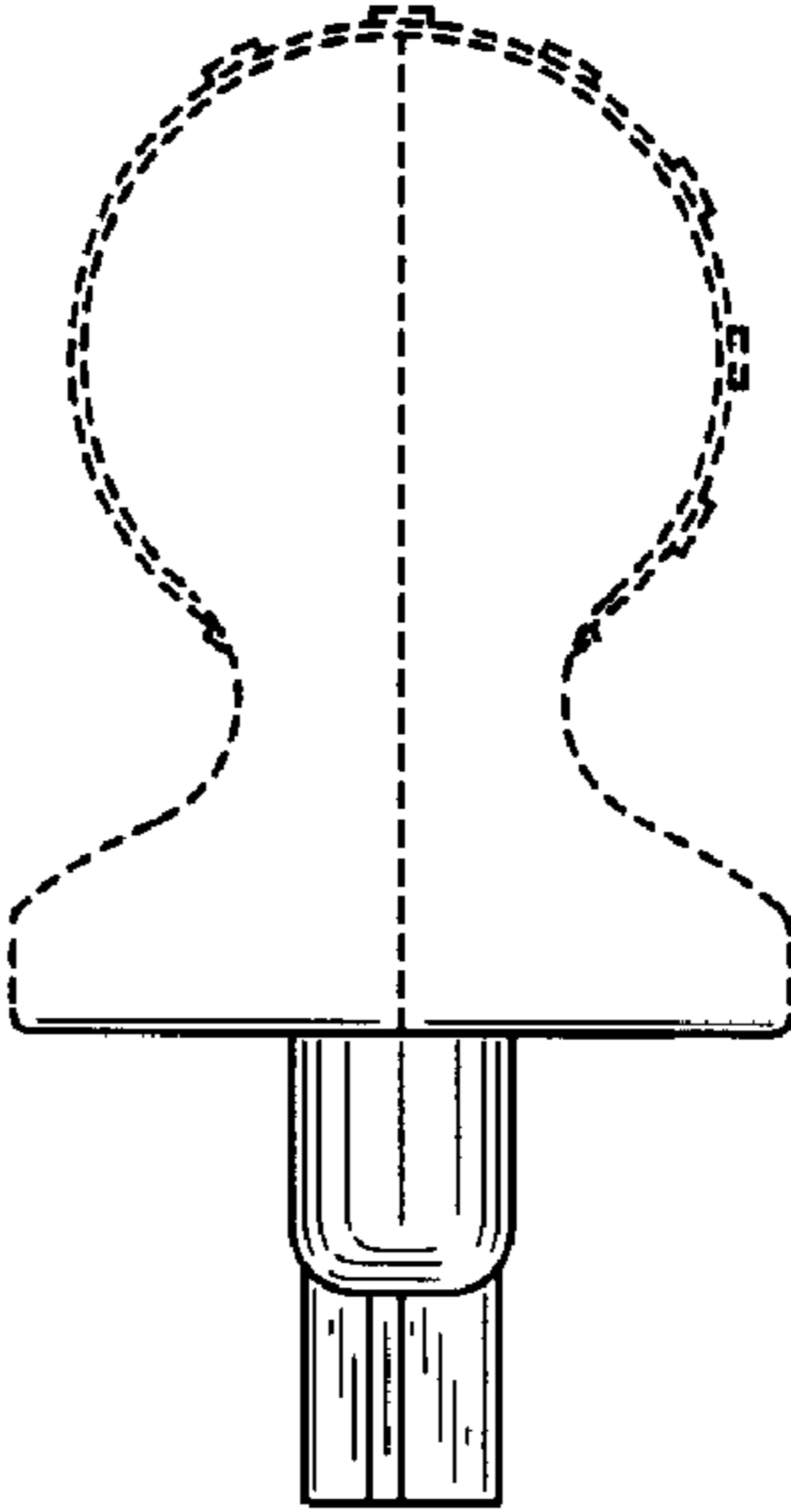
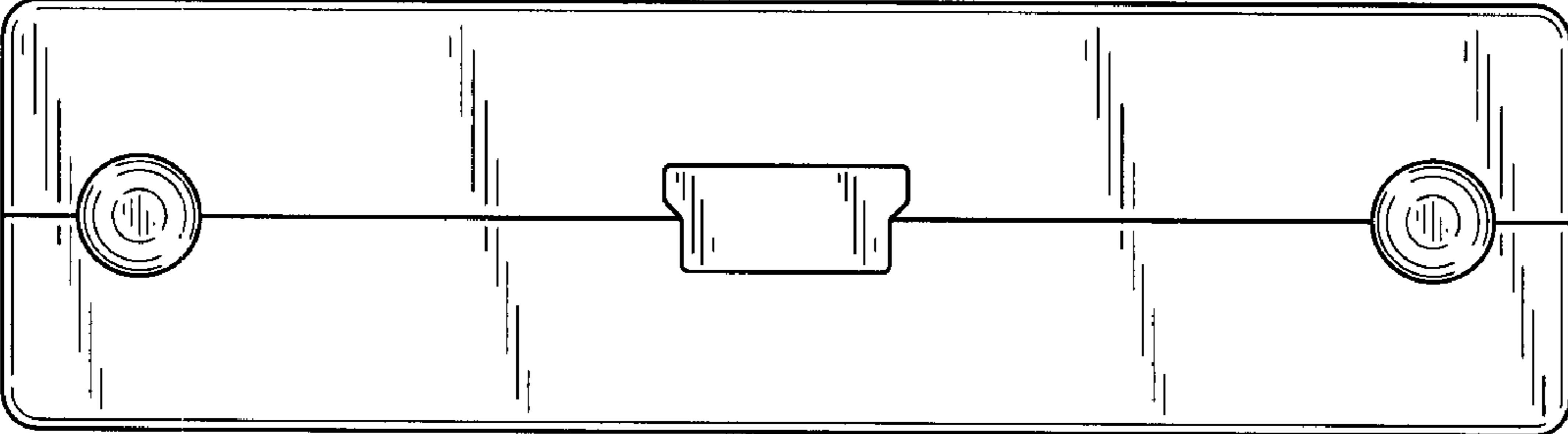


FIG. 4



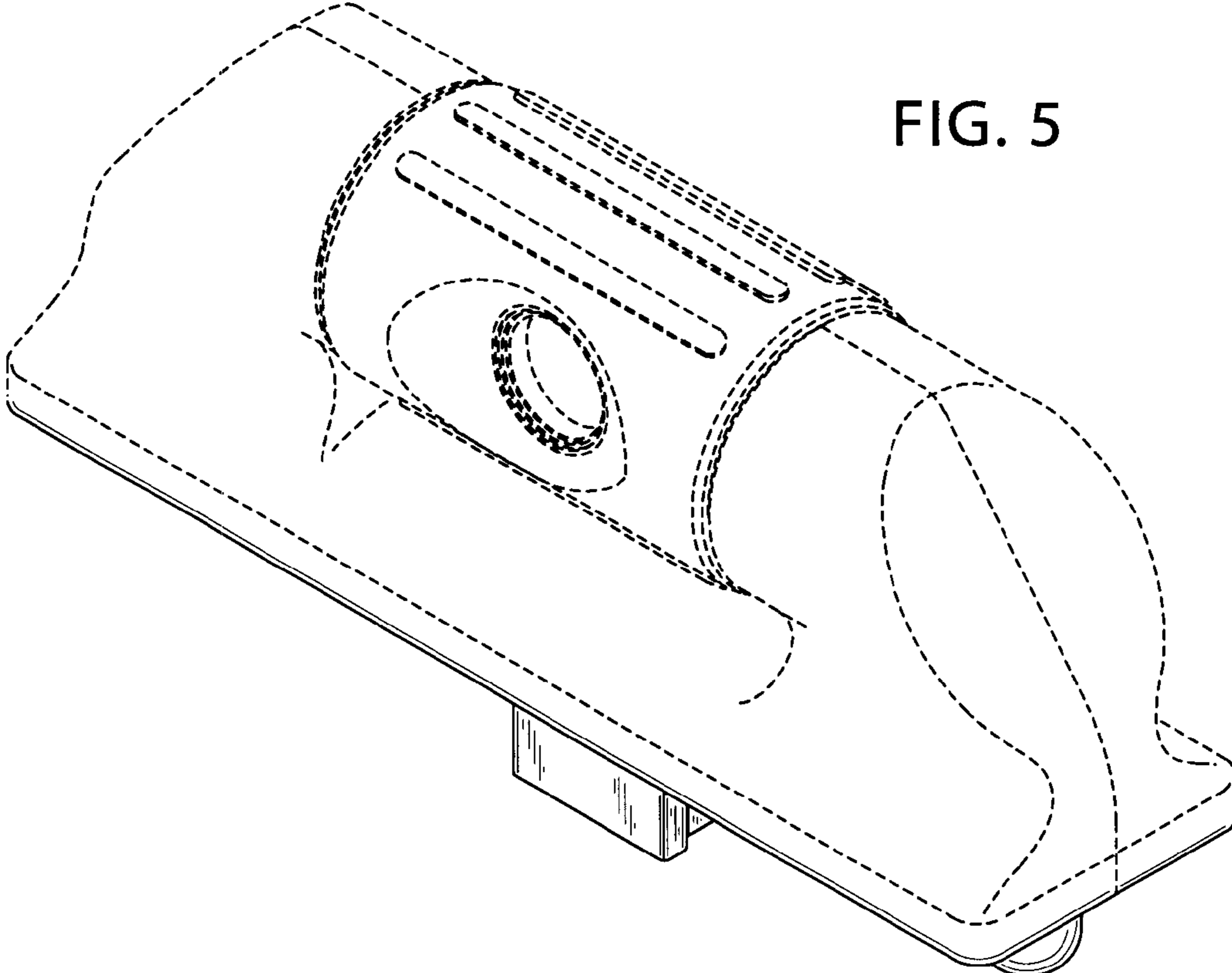


FIG. 5

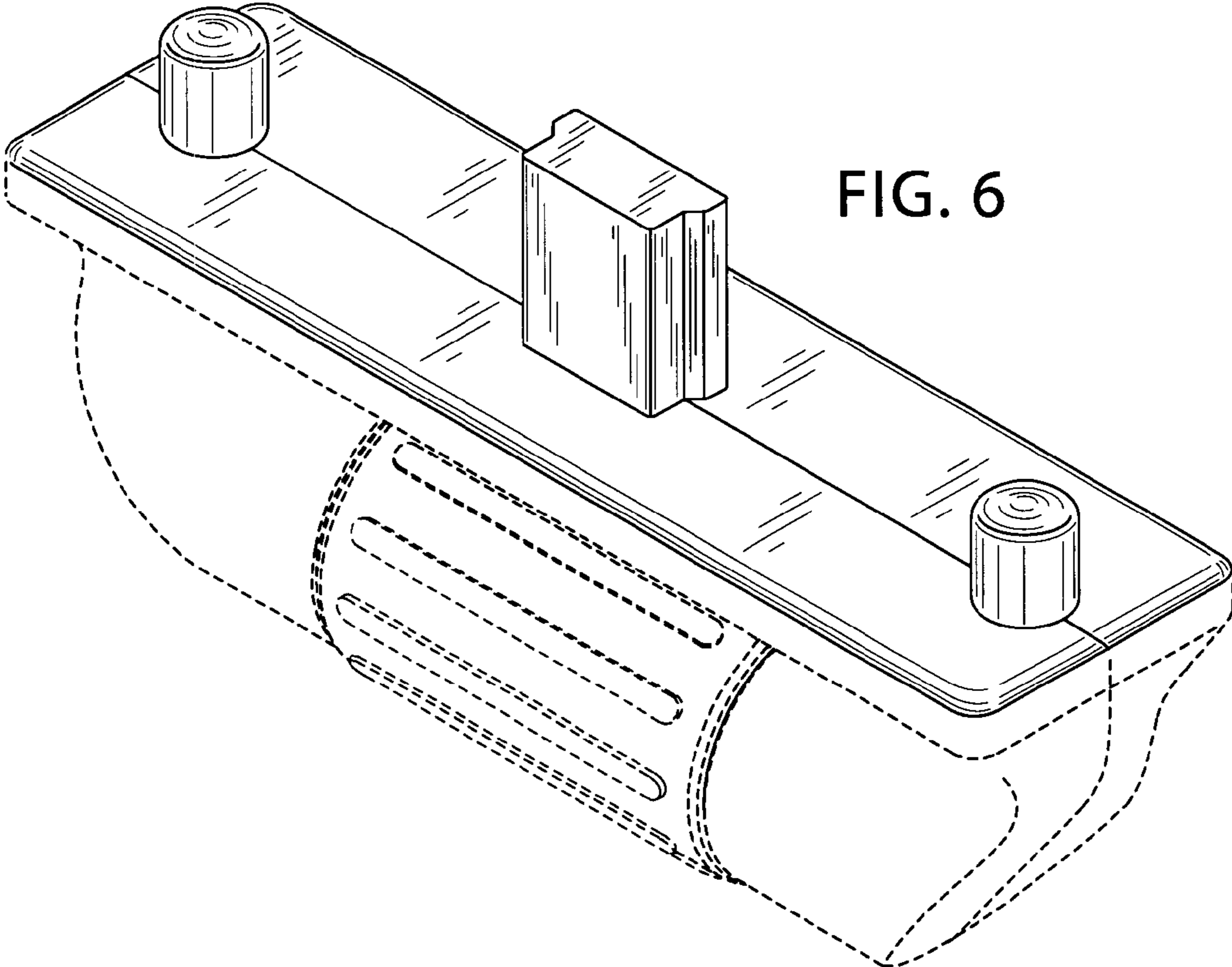


FIG. 6

FIG. 7

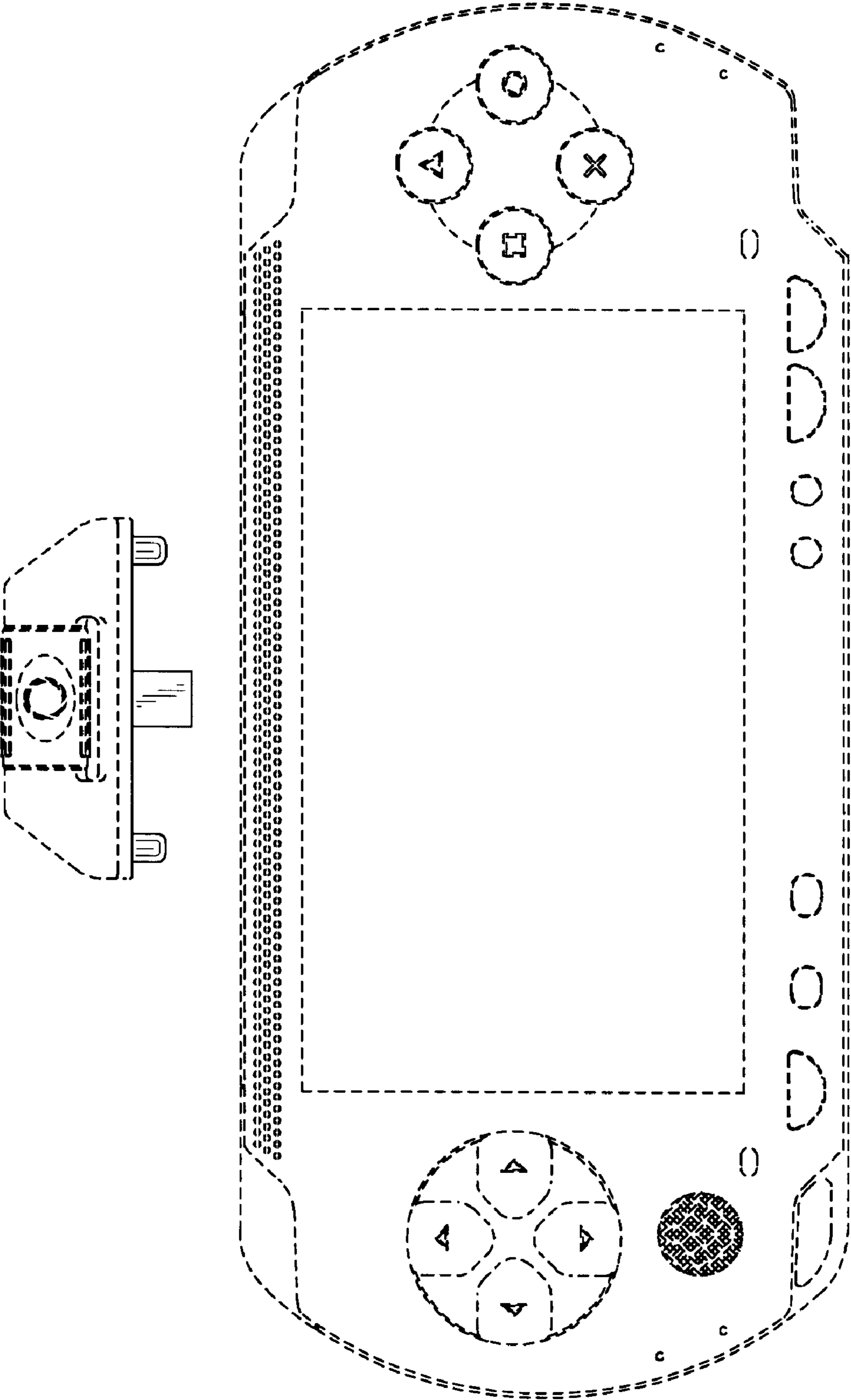


FIG. 8

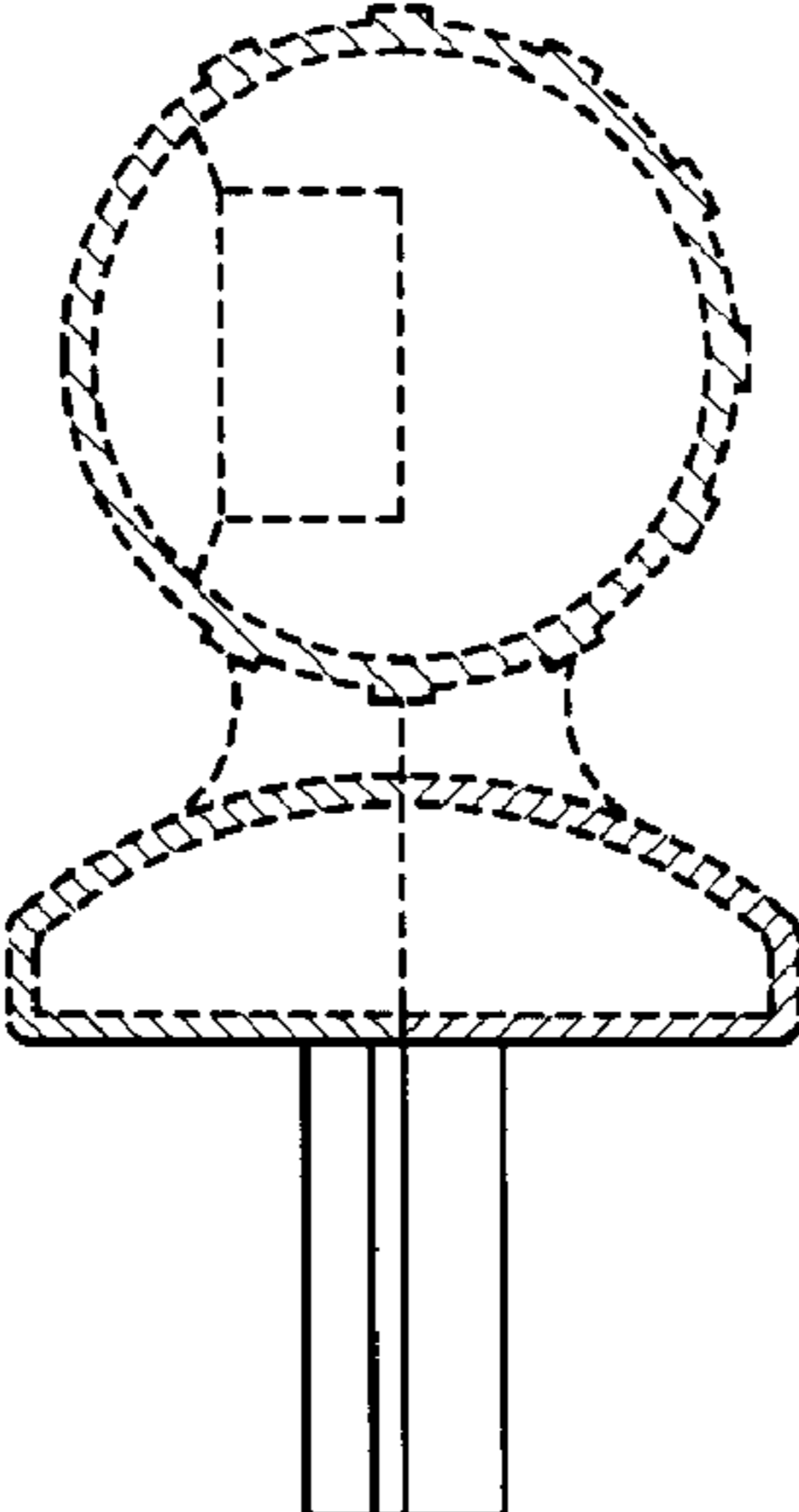


FIG. 9

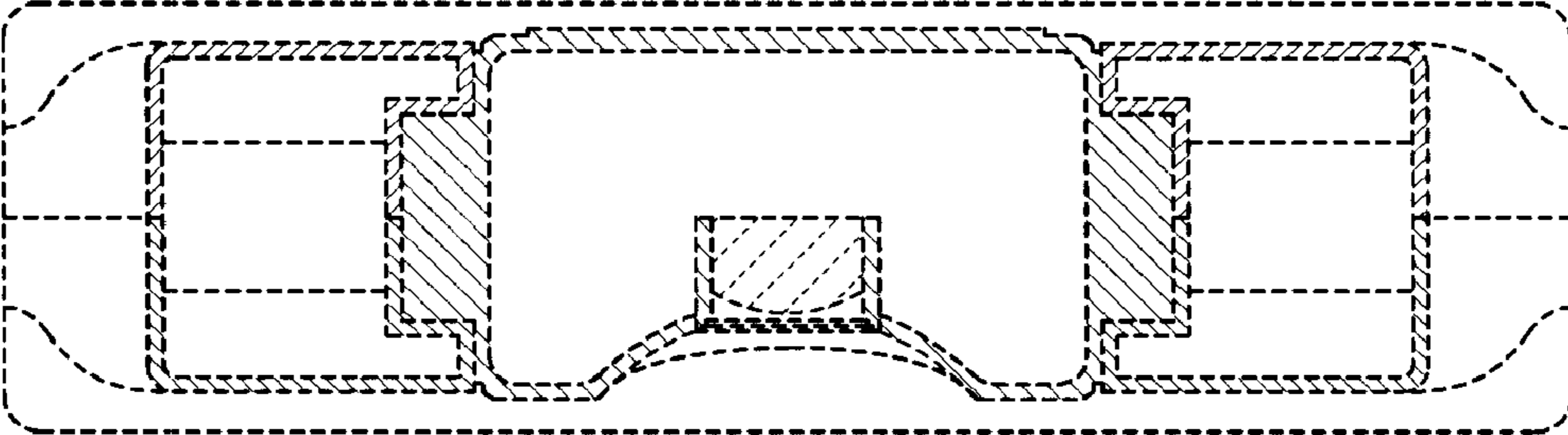


FIG. 10

