



US00D530730S

(12) **United States Design Patent**
Sato et al.

(10) **Patent No.:** **US D530,730 S**

(45) **Date of Patent:** **** Oct. 24, 2006**

(54) **MOTION CONVERTER**

(75) Inventors: **Toshio Sato**, Ibaraki (JP); **Akira Tadano**, Ibaraki (JP)

(73) Assignee: **SMC Corporation**, Tokyo (JP)

(**) Term: **14 Years**

(21) Appl. No.: **29/224,085**

(22) Filed: **Feb. 24, 2005**

(30) **Foreign Application Priority Data**

Aug. 30, 2004 (JP) D2004-025861

(51) **LOC (8) Cl.** **15-09**

(52) **U.S. Cl.** **D15/143; D15/5**

(58) **Field of Classification Search** D15/5,
D15/143, 148, 199; 384/12, 15, 45, 100,
384/907

See application file for complete search history.

(56) **References Cited**

U.S. PATENT DOCUMENTS

4,646,580 A * 3/1987 Dunn 74/44

4,927,273 A * 5/1990 Mottate 384/45

5,435,649 A * 7/1995 Kuwahara 384/45

D374,240 S * 10/1996 Nagasawa D15/143

6,203,199 B1 * 3/2001 Pfeuffer 384/45

D440,990 S * 4/2001 Asai D15/143

* cited by examiner

Primary Examiner—Antoine D. Davis

Assistant Examiner—Patricia Palasik

(74) *Attorney, Agent, or Firm*—Peter Ganjian

(57) **CLAIM**

The ornamental design for a motion converter, as shown and described.

DESCRIPTION

FIG. 1 shows a front view of a motion converter showing my new design;

FIG. 2 shows a top view thereof;

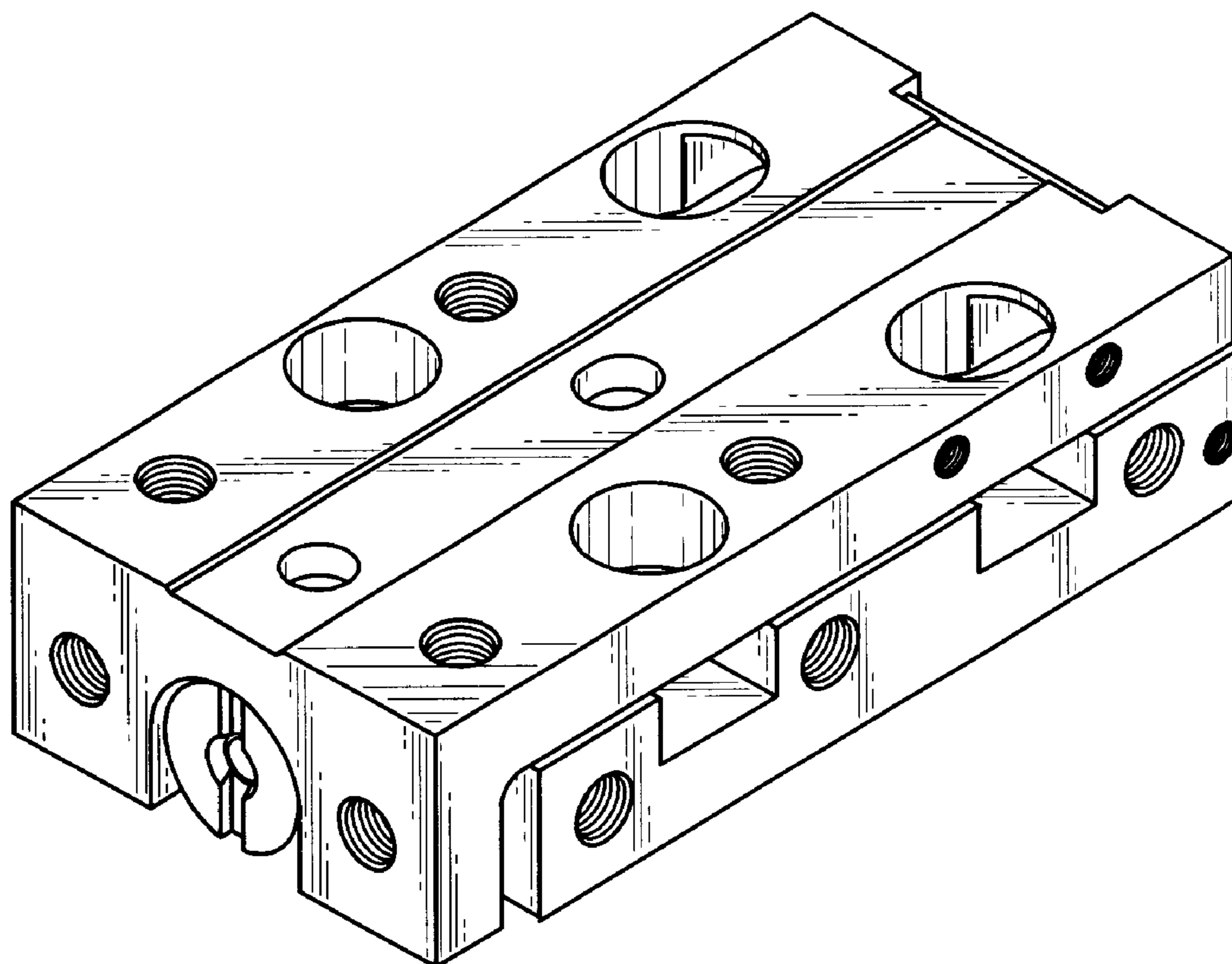
FIG. 3 shows a bottom view thereof;

FIG. 4 shows a right side view thereof;

FIG. 5 shows a left side view thereof; and,

FIG. 6 shows a perspective view thereof.

1 Claim, 3 Drawing Sheets



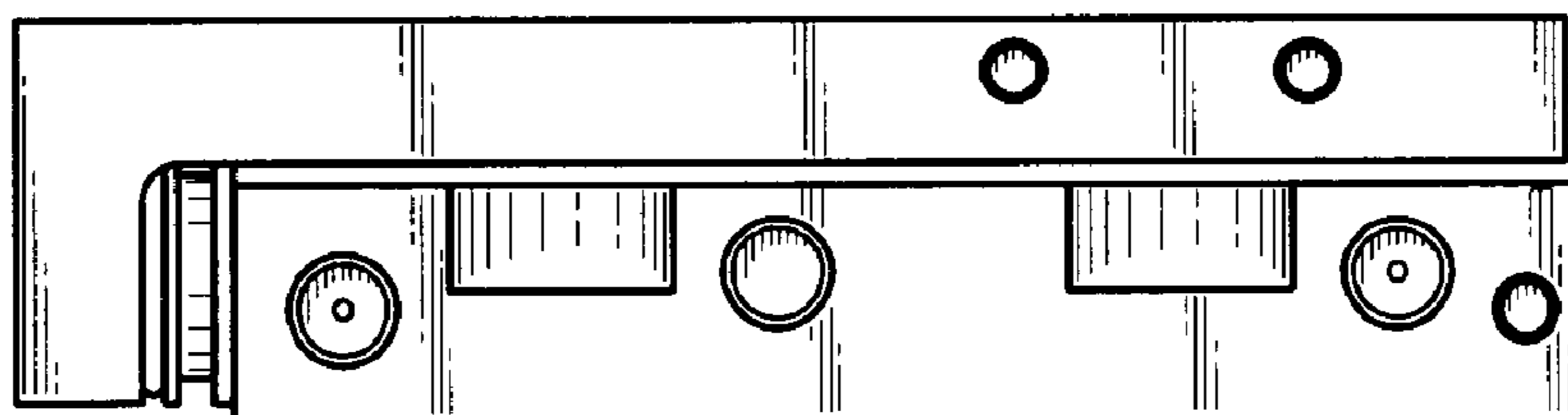


FIG. 1

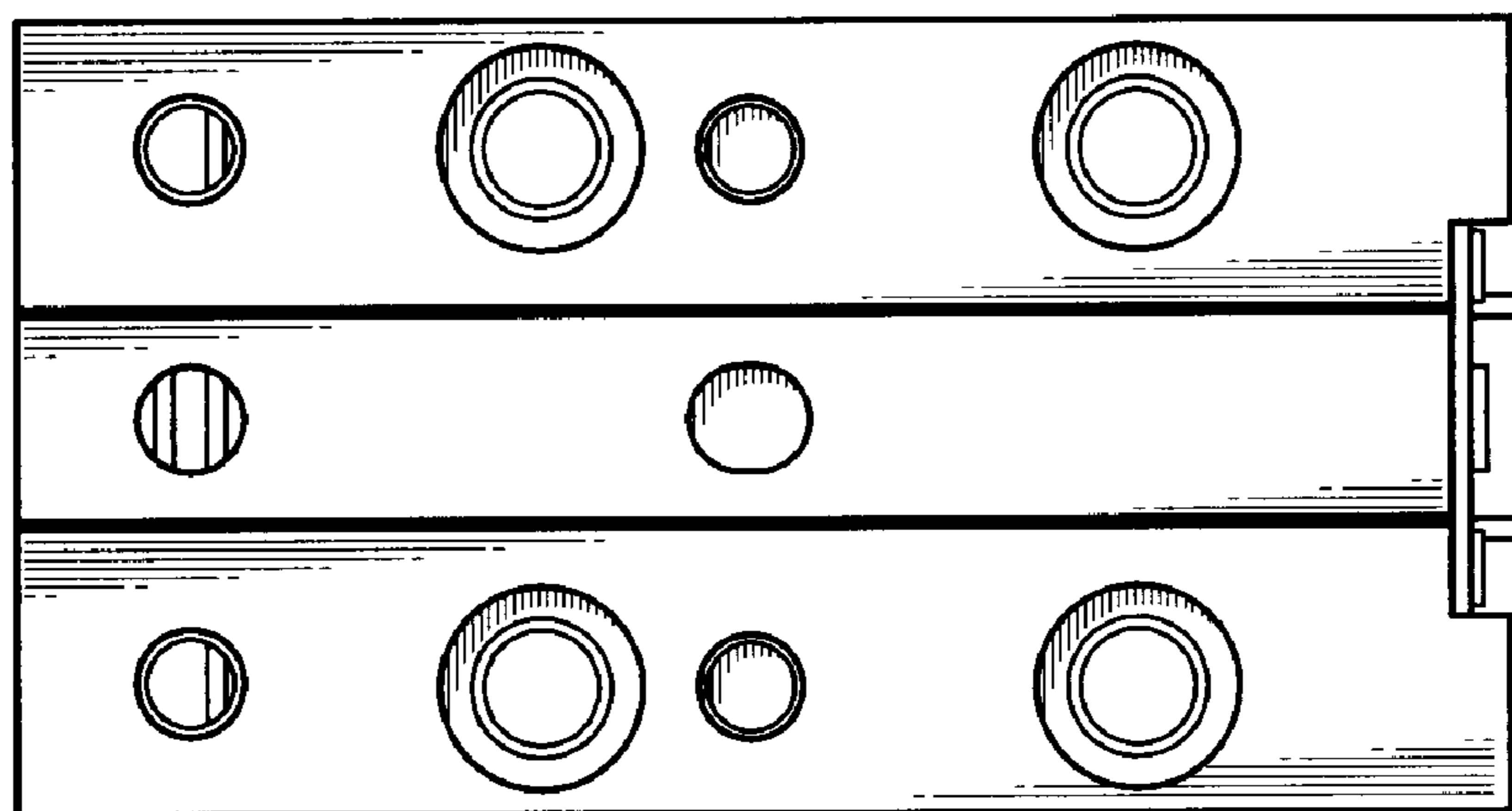


FIG. 2

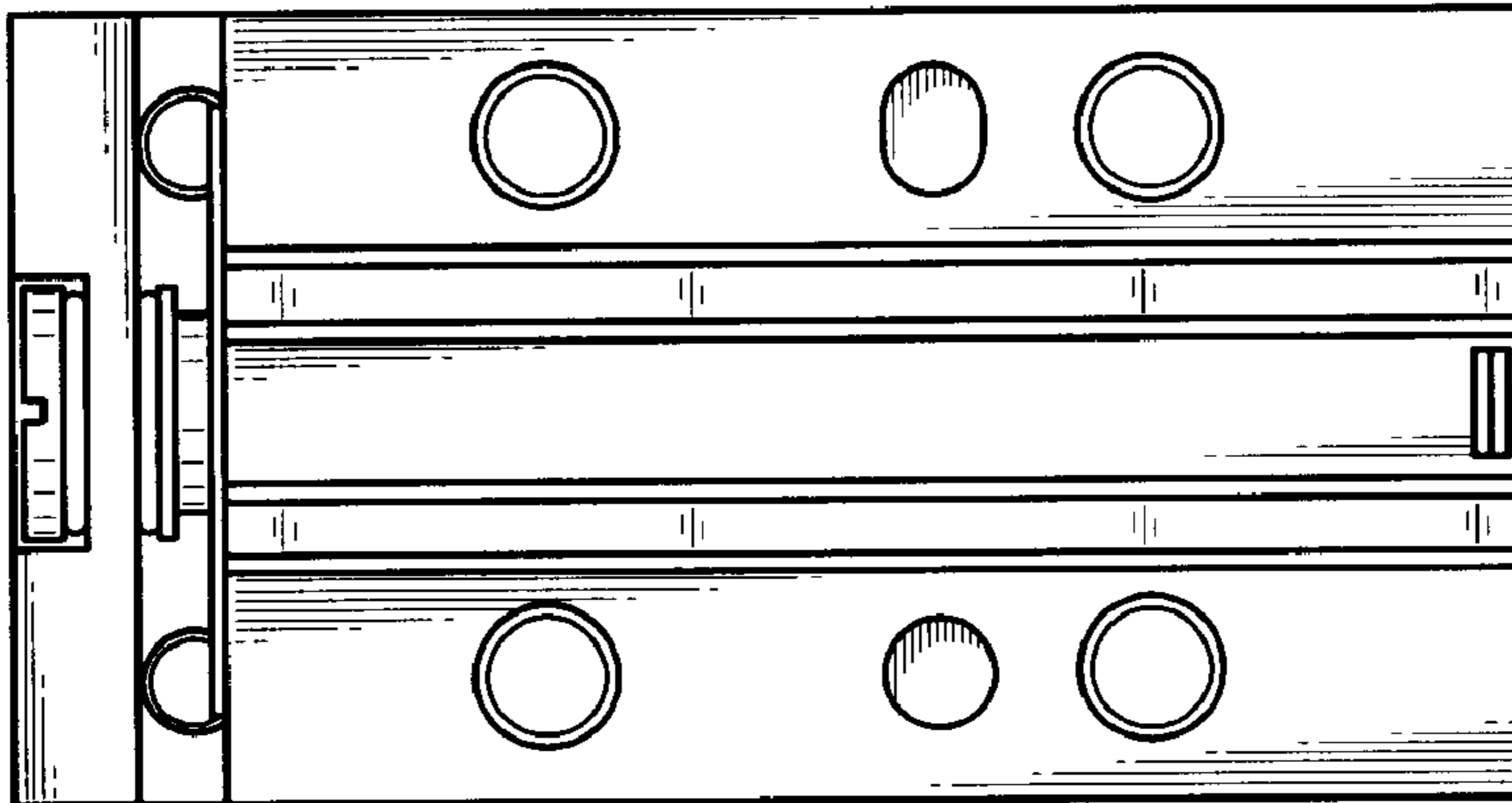


FIG. 3

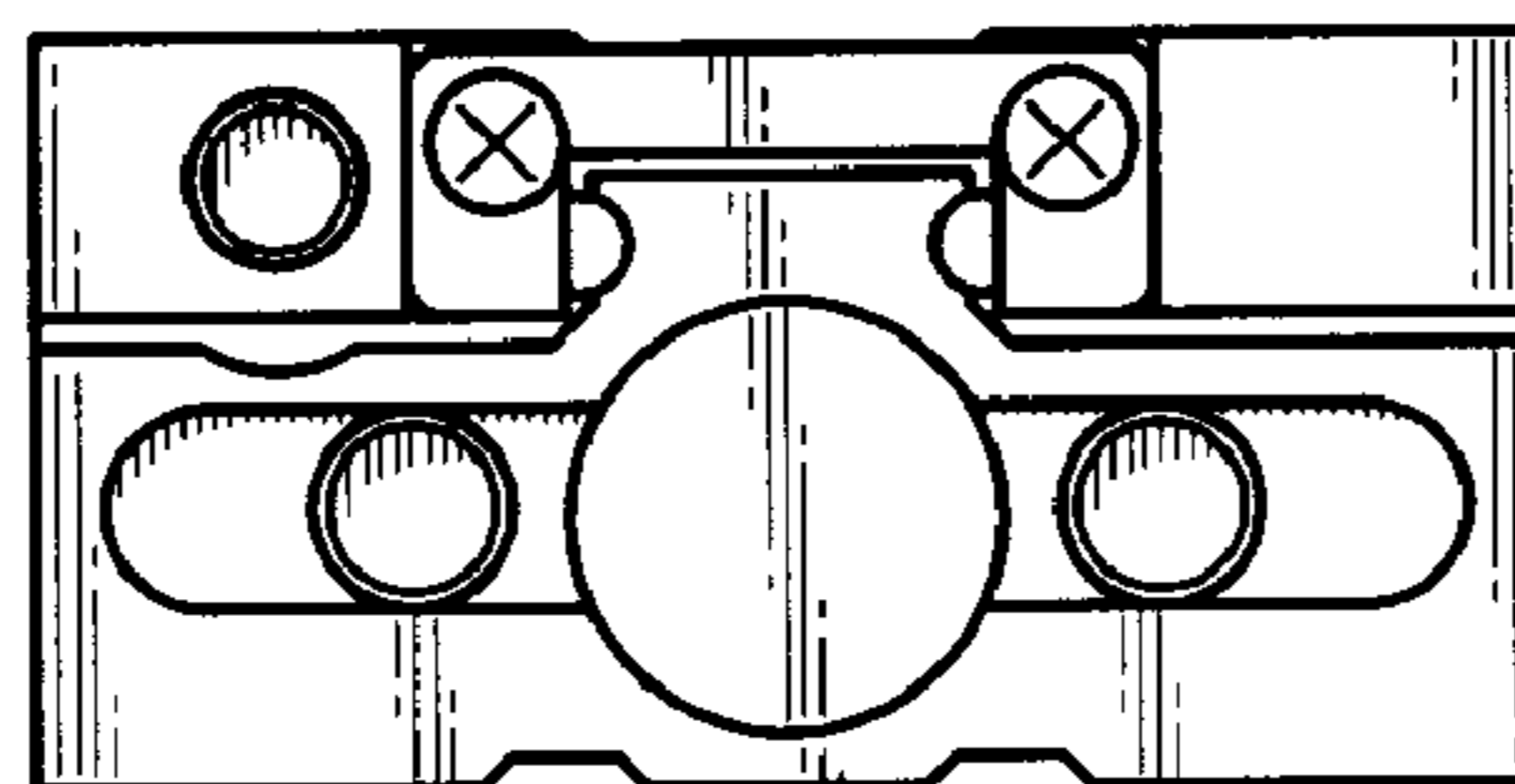


FIG. 4

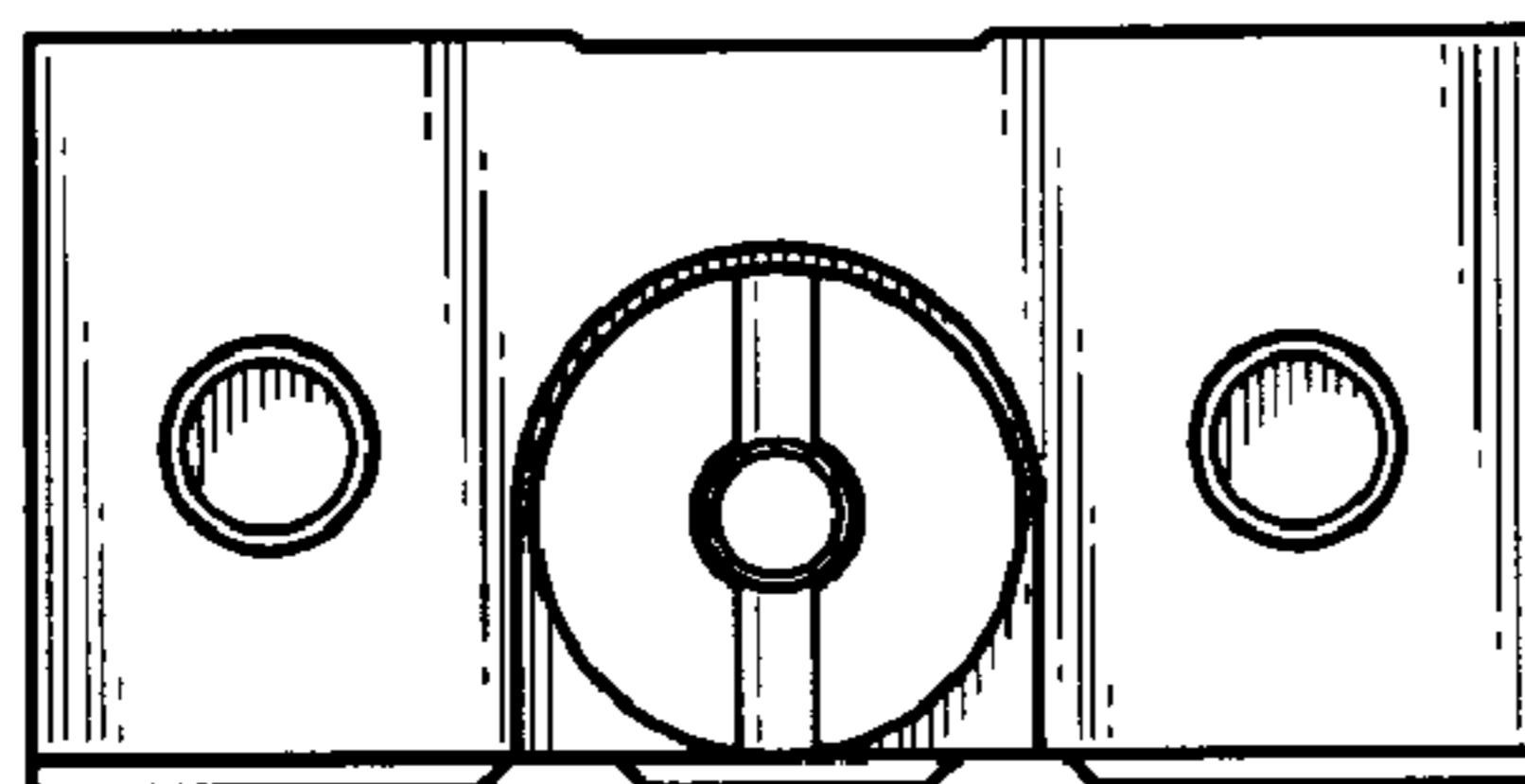


FIG. 5

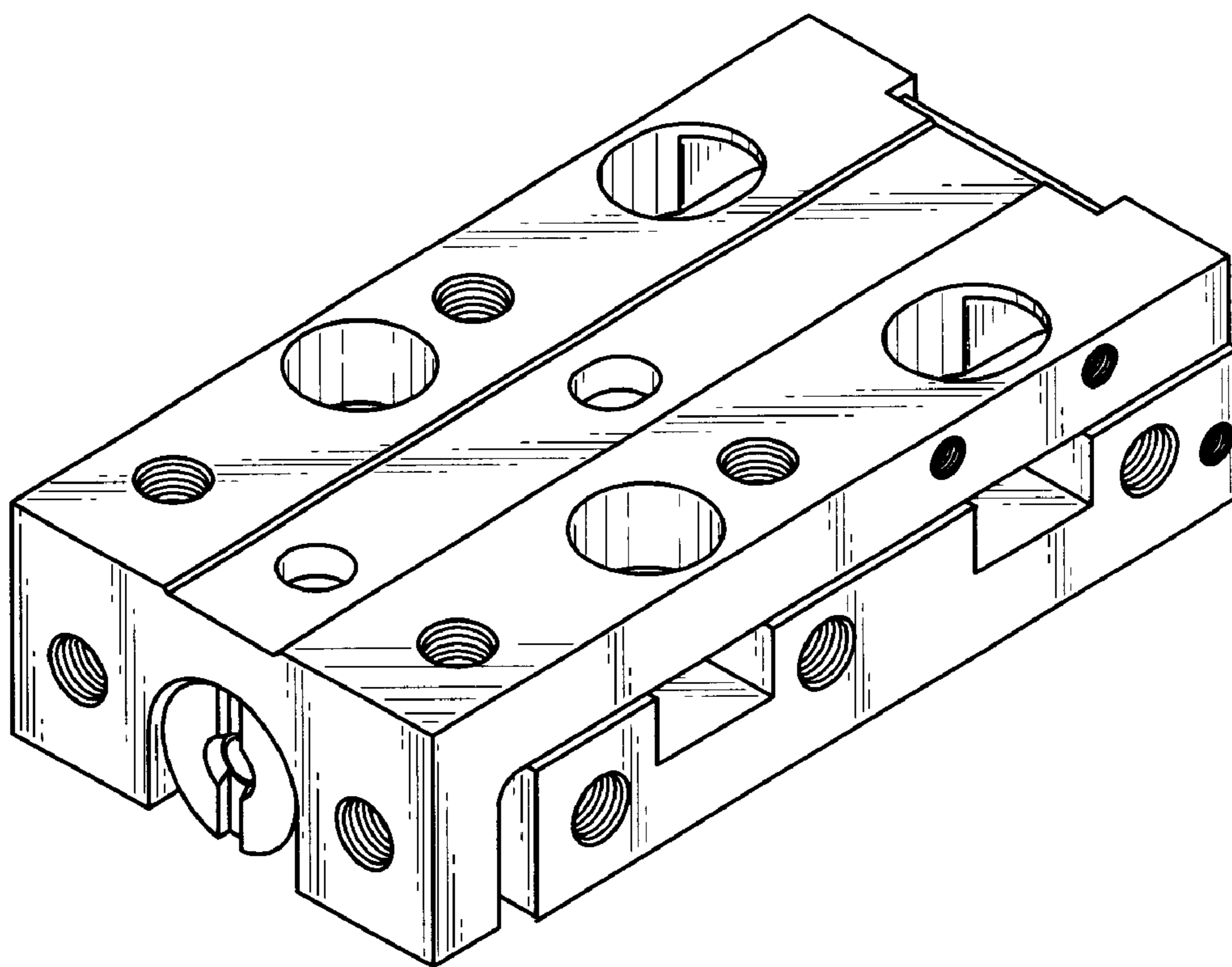


FIG. 6