



US00D530729S

(12) **United States Design Patent**
Cook

(10) **Patent No.:** **US D530,729 S**

(45) **Date of Patent:** **** Oct. 24, 2006**

(54) **TOOL-HOLDING ADAPTER**

(75) Inventor: **Roy P. Cook**, Temecula, CA (US)

(73) Assignee: **Banner American Products, Inc.**,
Temecula, CA (US)

(**) Term: **14 Years**

(21) Appl. No.: **29/230,860**

(22) Filed: **May 27, 2005**

(51) **LOC (8) Cl.** **15-09**

(52) **U.S. Cl.** **D15/140**

(58) **Field of Classification Search** D8/68,
D8/70; D15/131, 138, 140; 279/60-66, 140,
279/902; 408/239 A, 239 R, 240
See application file for complete search history.

(56) **References Cited**

U.S. PATENT DOCUMENTS

D242,871 S * 12/1976 Magnusson D15/199

D277,760 S * 2/1985 Wilson et al. D15/138

D278,245 S * 4/1985 Smith D15/140

D293,798 S * 1/1988 Johnson D15/140

4,722,645 A * 2/1988 Regan 408/239 A

D397,125 S * 8/1998 Boisvert D15/140

* cited by examiner

Primary Examiner—Antoine D. Davis

Assistant Examiner—Patricia Palasik

(74) *Attorney, Agent, or Firm*—Loyal McKinley Hanson

(57) **CLAIM**

The ornamental design for a tool-holding adapter, as shown.

DESCRIPTION

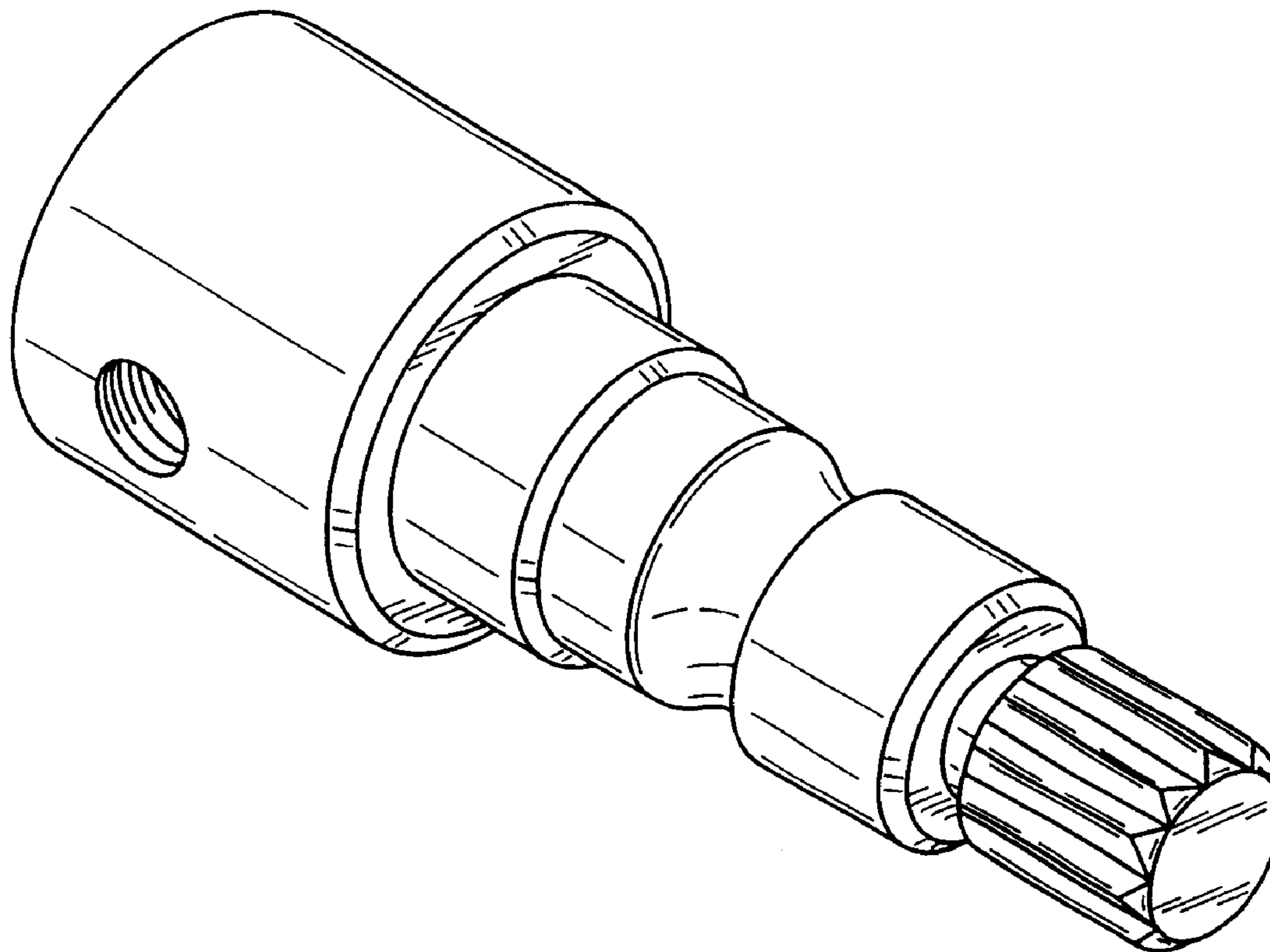
FIG. 1 of the drawings is a perspective view showing the front, top, and right side of a tool-holding adapter embodying the design of my invention;

FIG. 2 is an elevation view of the left side;

FIG. 3 is an elevation view of the front; and,

FIG. 4 is an elevation view of the back.

1 Claim, 1 Drawing Sheet



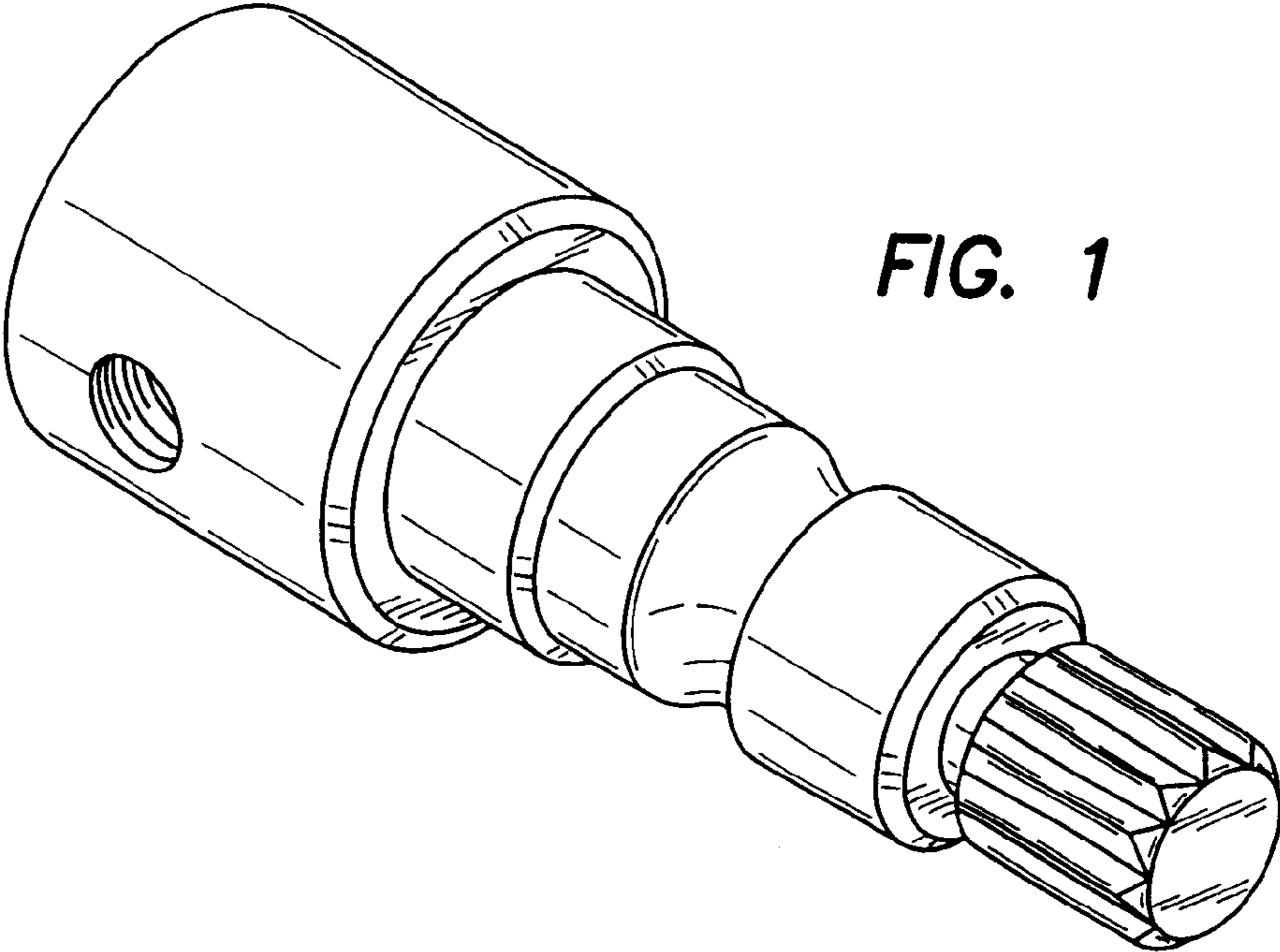


FIG. 1

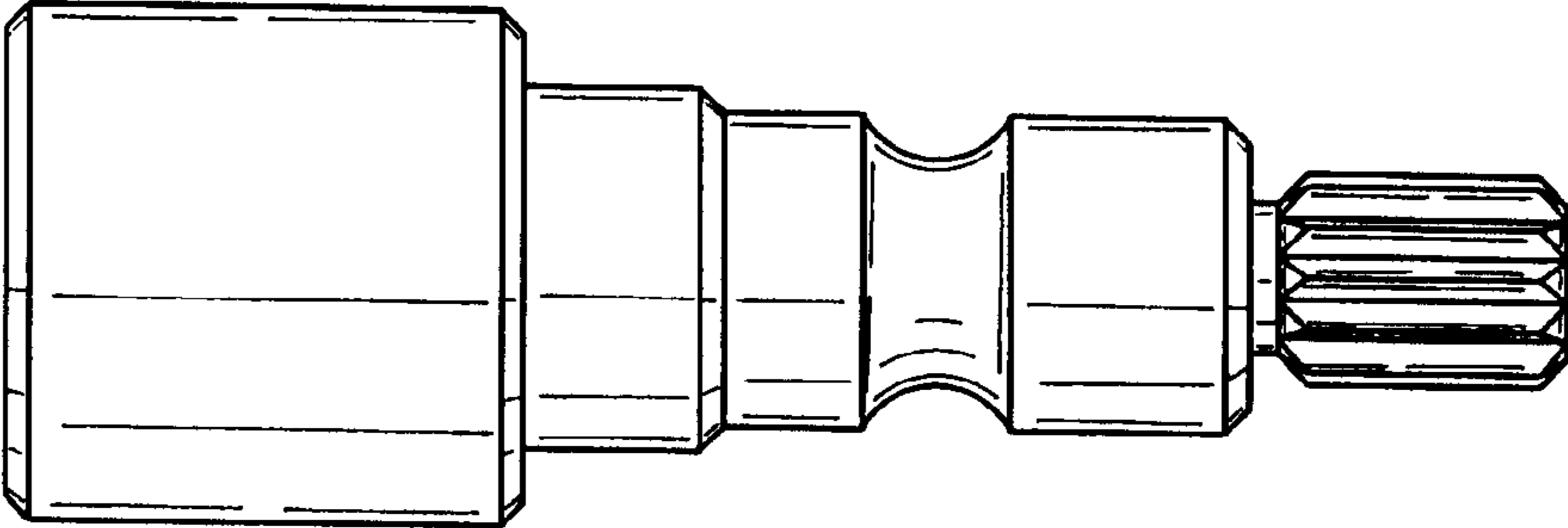


FIG. 2

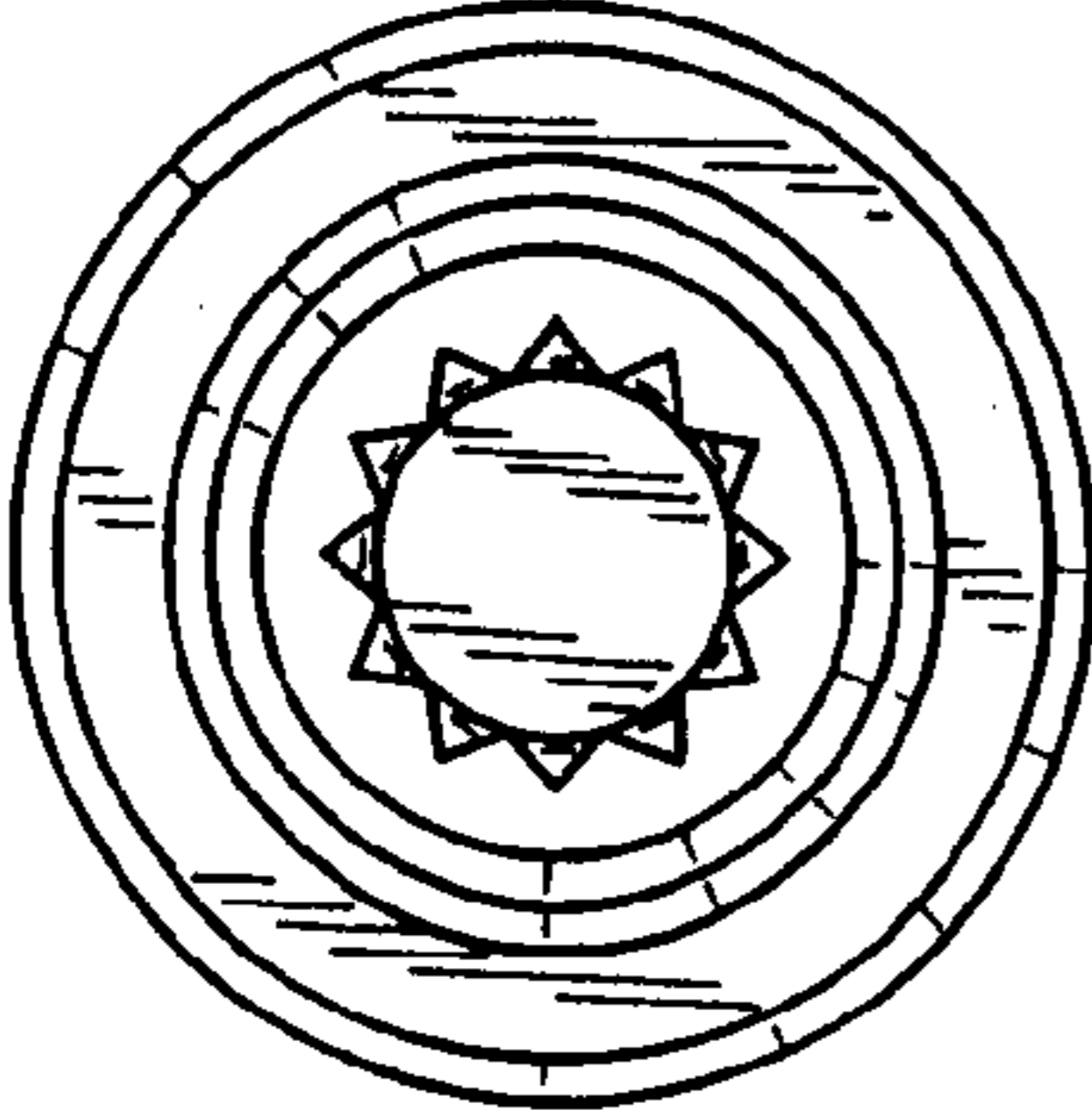


FIG. 3

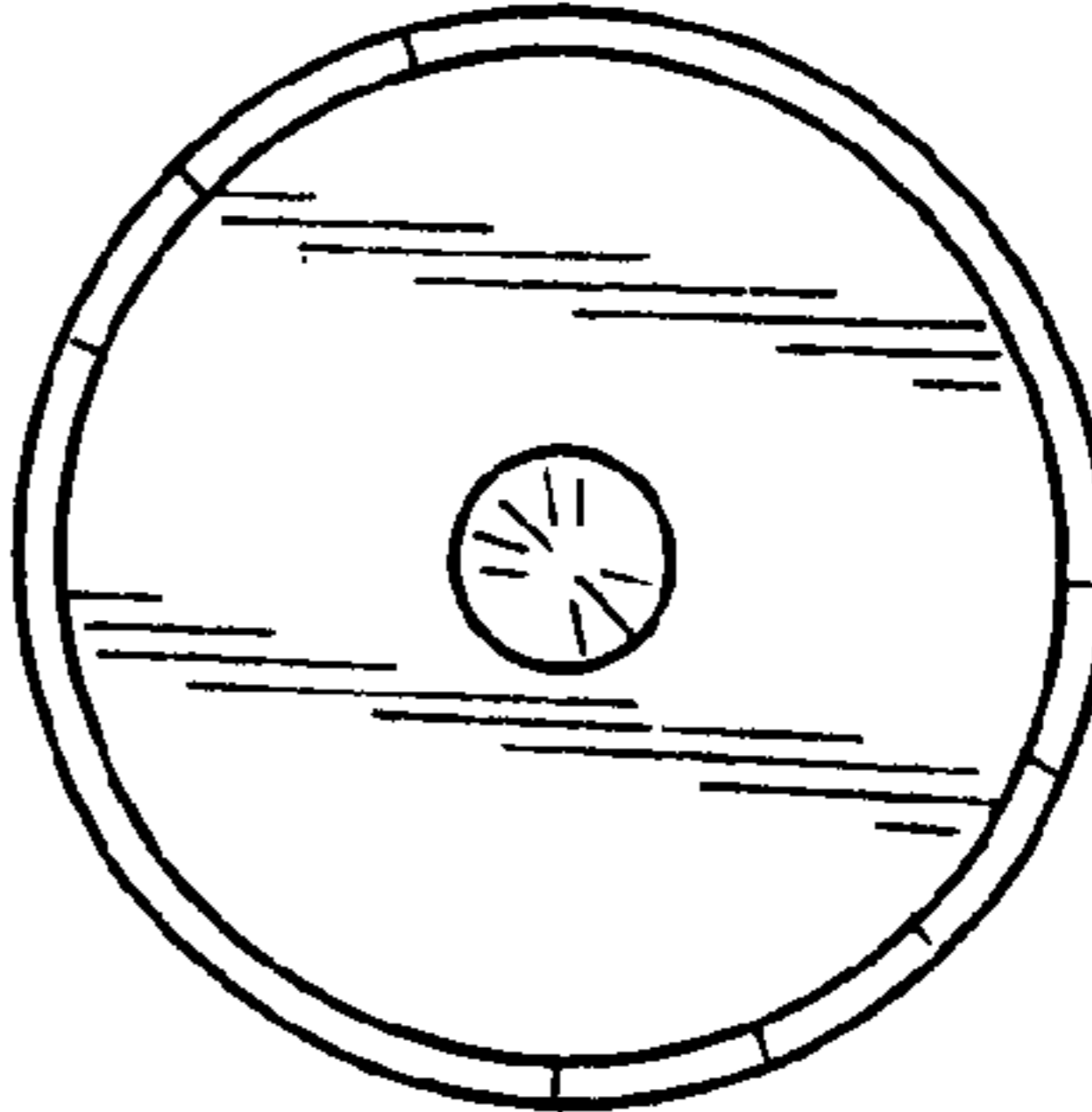


FIG. 4