



US00D530728S

(12) **United States Design Patent**
Liao

(10) **Patent No.:** **US D530,728 S**

(45) **Date of Patent:** **** Oct. 24, 2006**

(54) **GRINDING MACHINE**

2002/0081954 A1 * 6/2002 Mori et al. 451/65

* cited by examiner

(75) Inventor: **Ming-Ko Liao**, Ta-Li (TW)

Primary Examiner—Antoine D. Davis

Assistant Examiner—Patricia Palasik

(73) Assignee: **Taiwan More-Cash Village Corp.**,
Taichung (TW)

(74) *Attorney, Agent, or Firm*—Rosenberg, Klein & Lee

(**) Term: **14 Years**

(57) **CLAIM**

The ornamental design for a grinding machine, as shown and described.

(21) Appl. No.: **29/225,173**

DESCRIPTION

(22) Filed: **Mar. 14, 2005**

(51) **LOC (8) Cl.** **15-09**

(52) **U.S. Cl.** **D15/124**

(58) **Field of Classification Search** D15/123,
D15/124, 125; 144/1 R, 1 A, 16; 451/72,
451/259–262

See application file for complete search history.

FIG. 1 is a perspective view of a grinding machine, showing our new design;

FIG. 2 is a front elevational view thereof;

FIG. 3 is a rear elevational view thereof;

FIG. 4 is a top plan view thereof;

FIG. 5 is a bottom plan view thereof;

FIG. 6 is a left side elevational view thereof;

FIG. 7 is a right side elevational view thereof; and,

FIG. 8 is a perspective view with the cover in an open position.

The broken line showing of the abrasive grinding mesh is for illustrative purposes only and forms no part of the claimed design.

(56) **References Cited**

U.S. PATENT DOCUMENTS

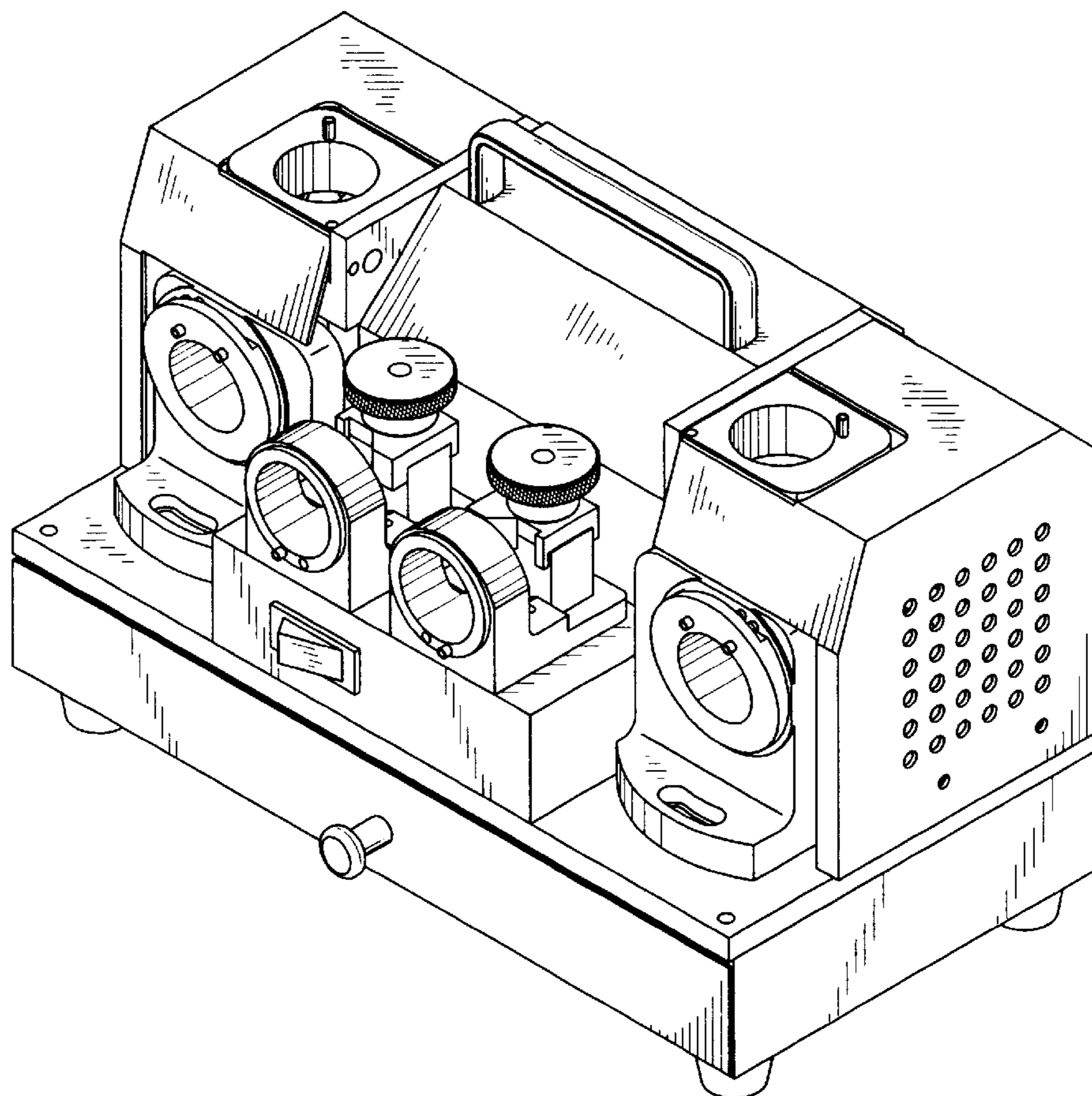
3,634,979 A * 1/1972 Robillard et al. 451/14

3,977,126 A * 8/1976 Hohler et al. 451/72

5,139,005 A * 8/1992 Dodd 125/11.01

6,224,462 B1 * 5/2001 Yokoyama et al. 451/10

1 Claim, 8 Drawing Sheets



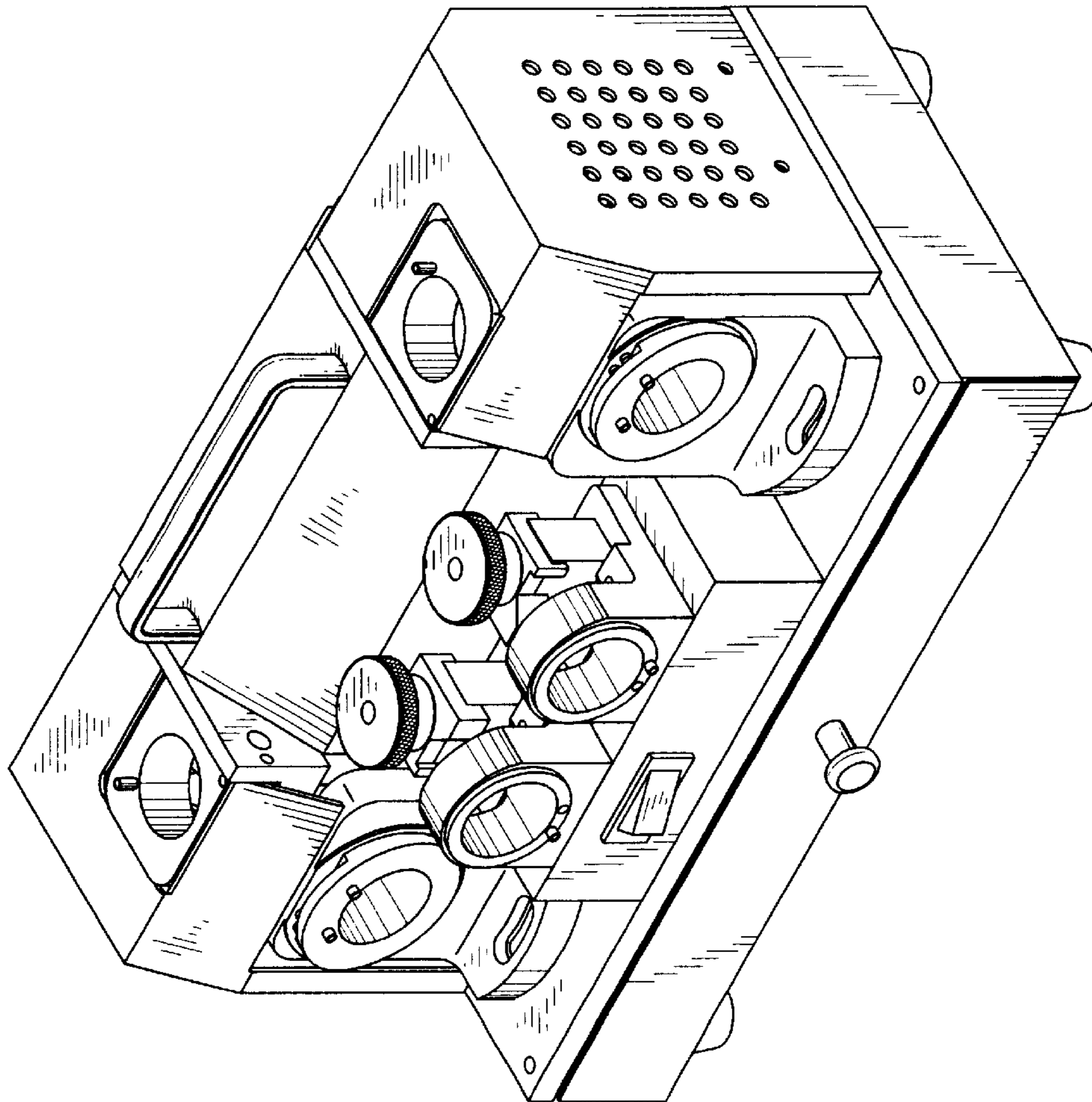


FIG. 1

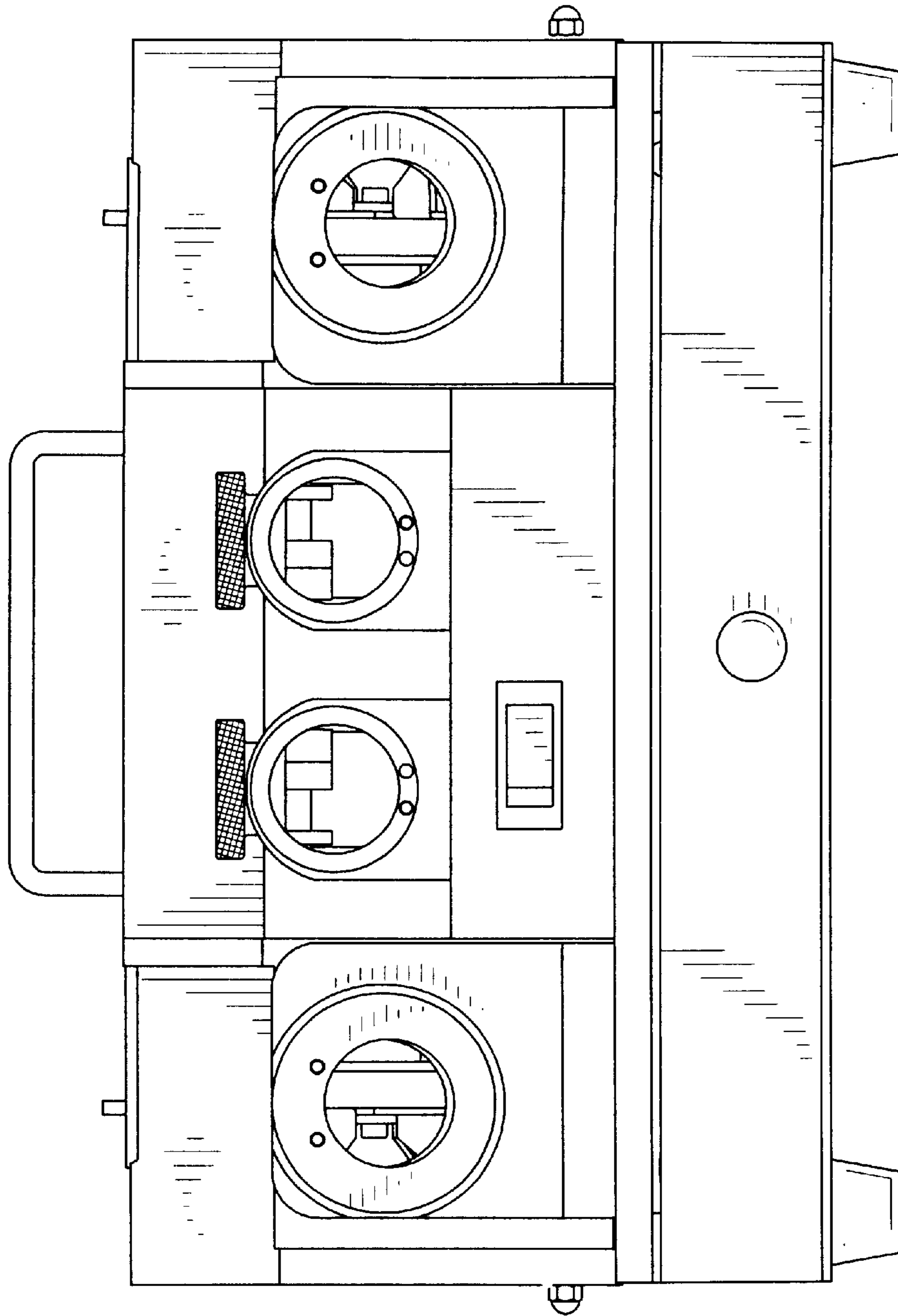


FIG. 2

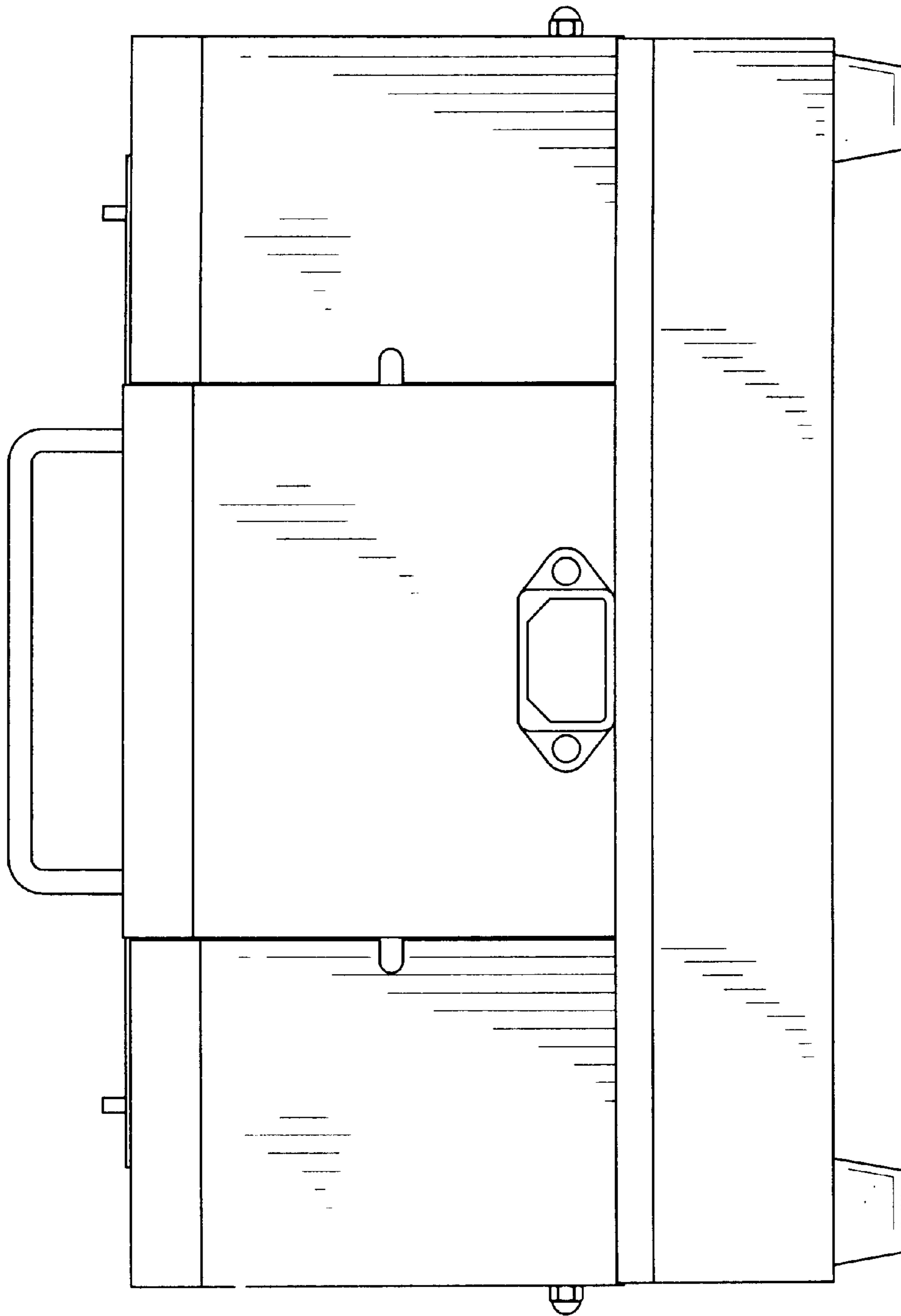


FIG. 3

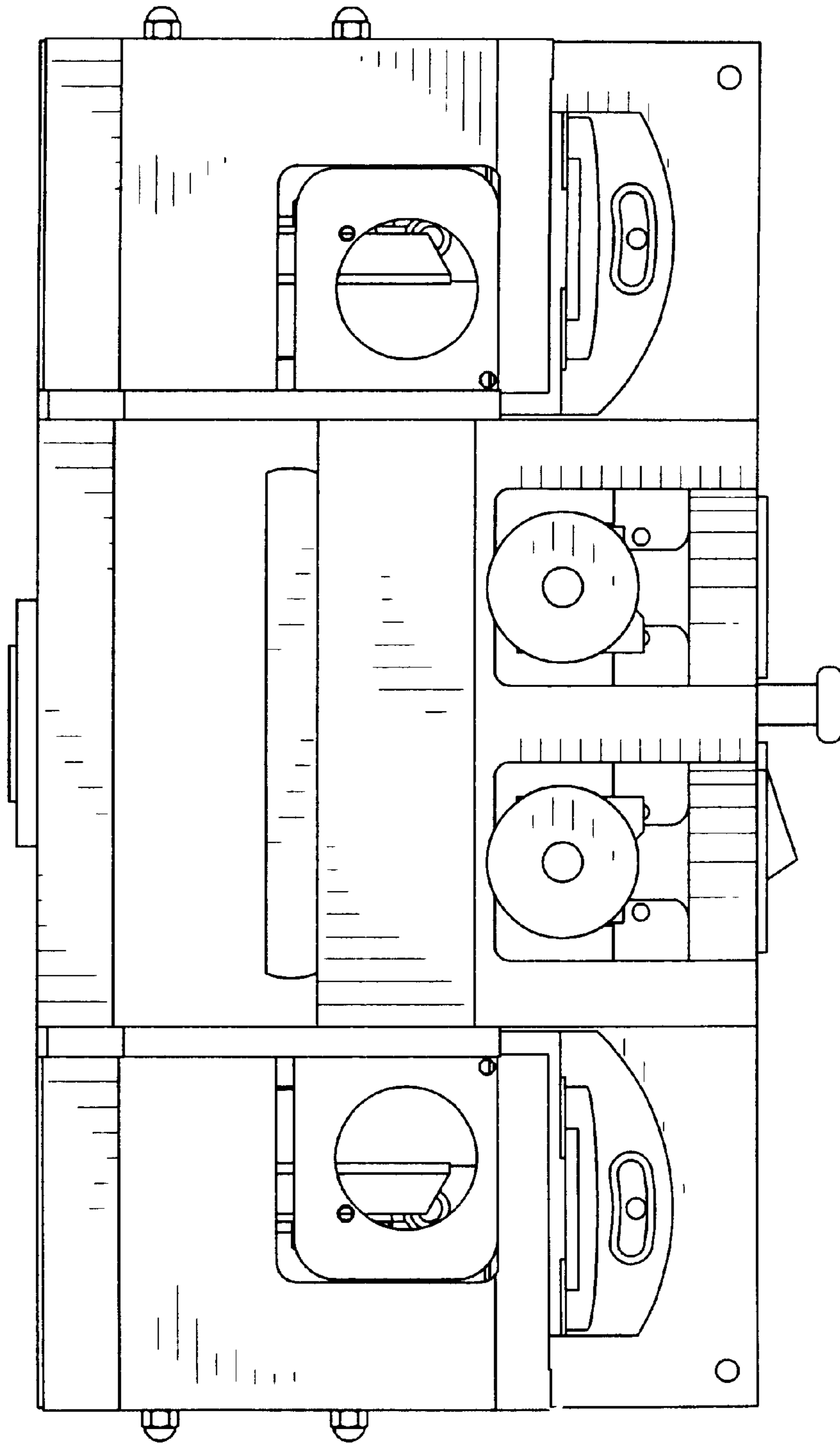


FIG. 4

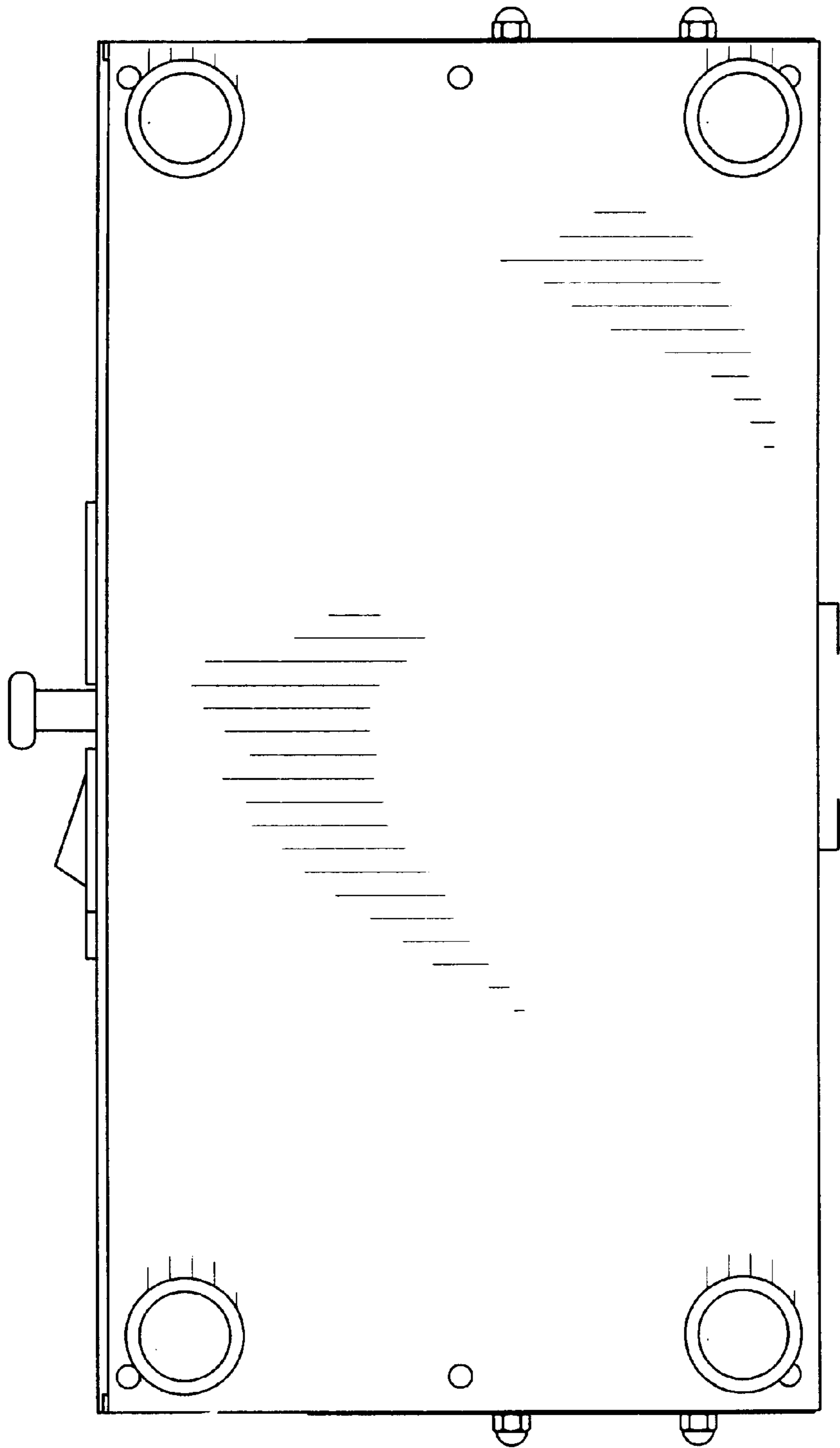


FIG. 5

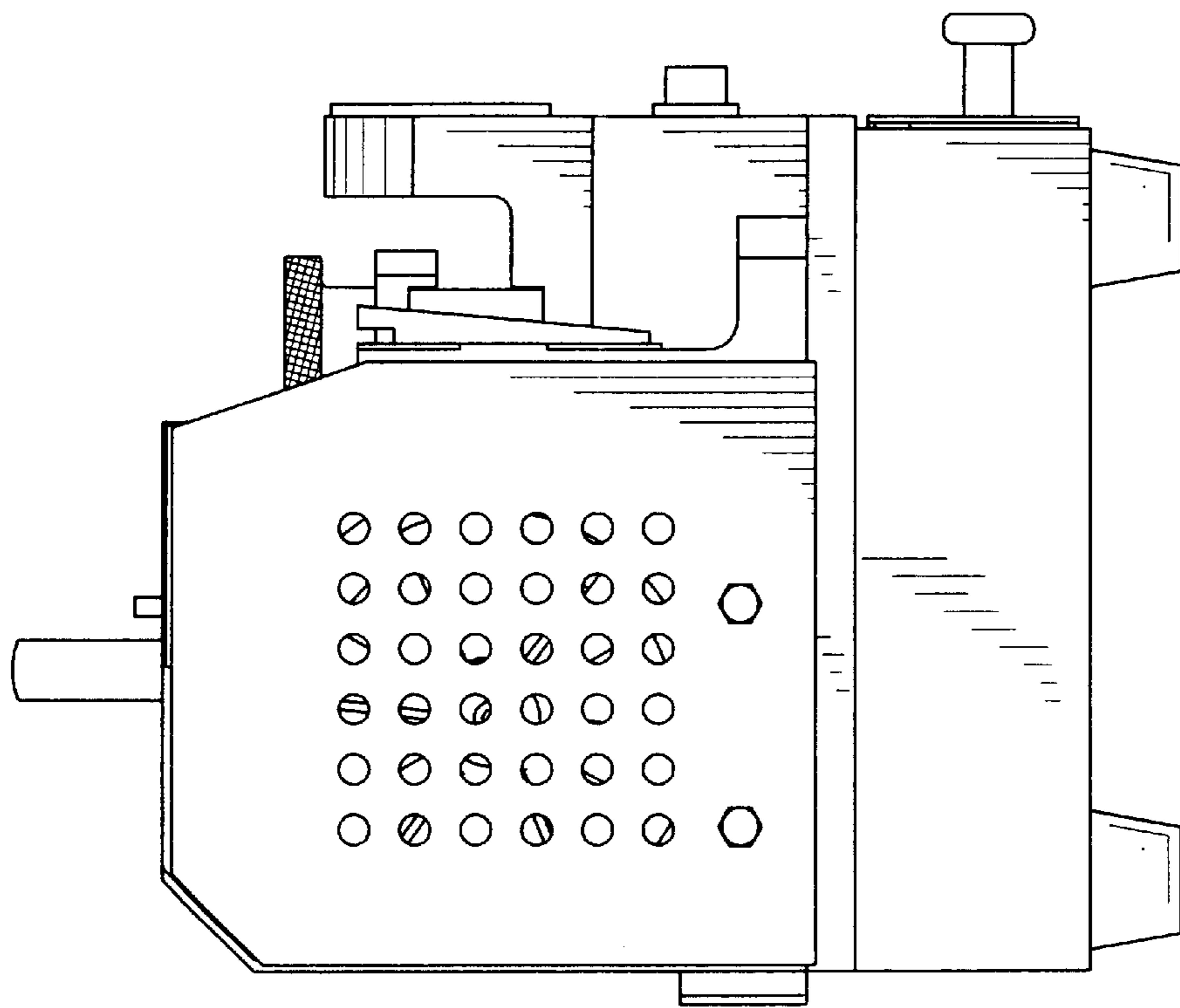


FIG. 6

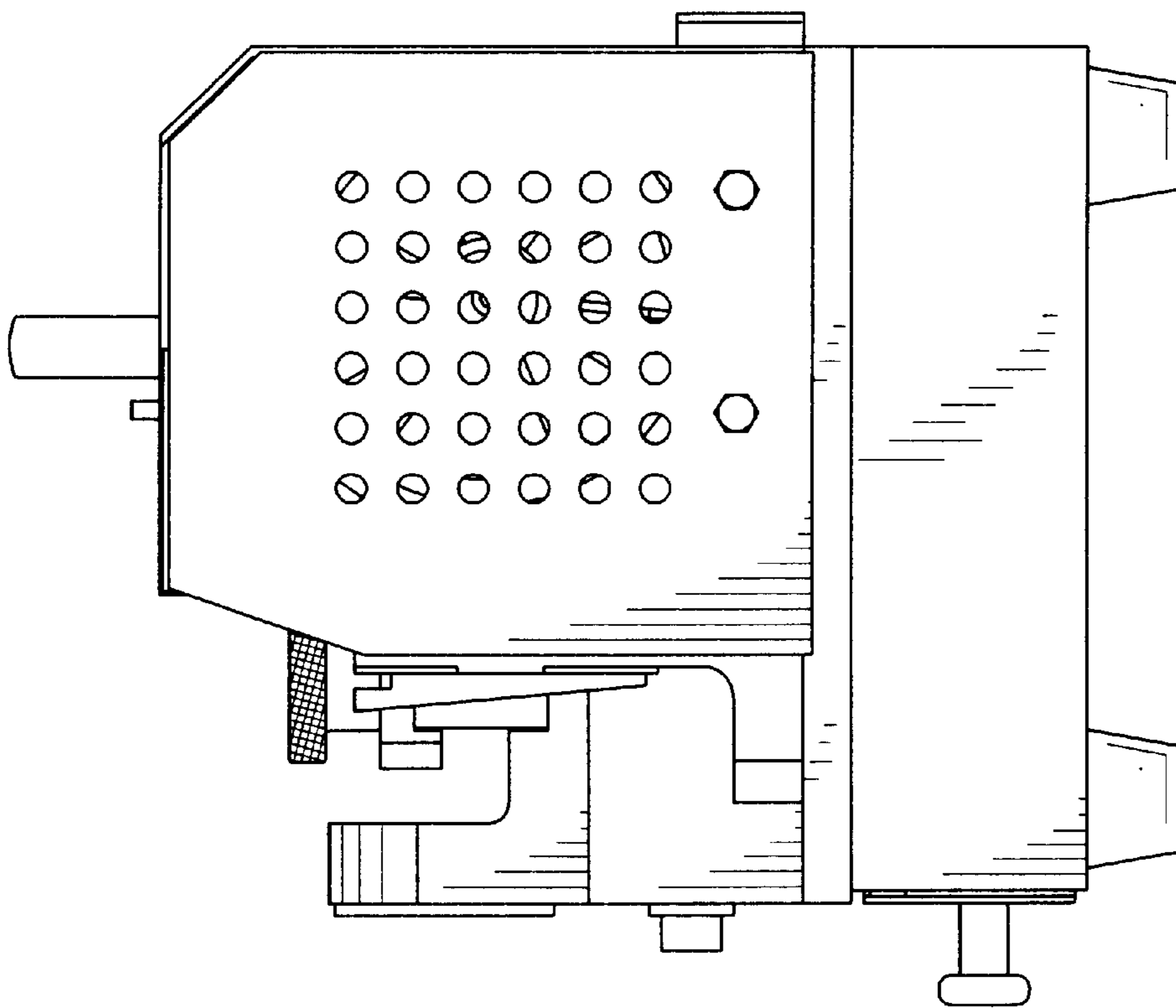


FIG. 7

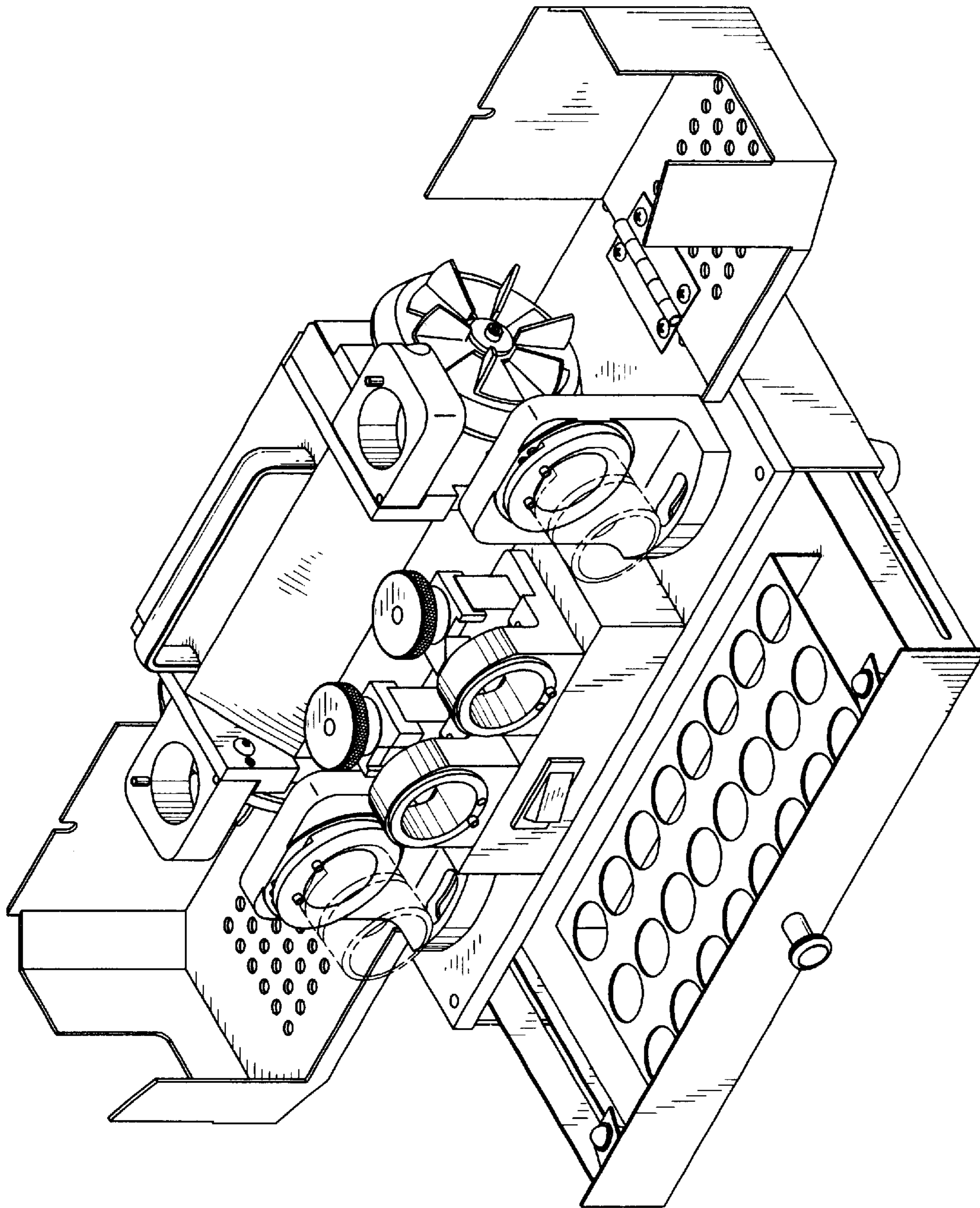


FIG. 8