



US00D530725S

(12) **United States Design Patent**  
**Beckman et al.**

(10) **Patent No.:** **US D530,725 S**

(45) **Date of Patent:** **\*\* Oct. 24, 2006**

(54) **AIR COMPRESSOR**

(75) Inventors: **Kurt Beckman**, Springfield, MN (US);  
**Zach Conrad**, Broomfield, CO (US);  
**Jeffery T. Samson**, Boulder, CO (US)

(73) Assignee: **Powermate Corporation**, Aurora, IL (US)

(\*\*) Term: **14 Years**

(21) Appl. No.: **29/234,151**

(22) Filed: **Jul. 14, 2005**

(51) **LOC (8) Cl.** ..... **15-02**

(52) **U.S. Cl.** ..... **D15/9**

(58) **Field of Classification Search** ..... D15/7-9;  
D23/232, 231; 417/359, 415-416, 410.1,  
417/321, 265, 405

See application file for complete search history.

(56) **References Cited**

U.S. PATENT DOCUMENTS

3,318,249 A	5/1967	Loeser
4,466,780 A	8/1984	Naurath
D286,292 S	10/1986	Kingston
5,094,591 A	3/1992	Whitley, II et al.
D329,650 S	9/1992	Whitley, II
D339,143 S	9/1993	Whitley, II

D351,602 S	10/1994	Rosebraugh et al.
D446,220 S	* 8/2001	Boughton et al. .... D15/7
D466,527 S	12/2002	Graber et al.
D500,769 S	* 1/2005	Montgomery ..... D15/7
D514,595 S	* 2/2006	Chen ..... D15/9

\* cited by examiner

*Primary Examiner*—Ralf Seifert

(74) *Attorney, Agent, or Firm*—Leydig, Voit & Mayer, Ltd.

(57) **CLAIM**

The ornamental design for an air compressor, as shown and described.

**DESCRIPTION**

FIG. 1 is a top, right front perspective view of an air compressor in accordance of the present invention, with the air compressor shown installed on an air compressor tank; FIG. 2 is a top, right elevation view thereof; FIG. 3 is a front elevation view thereof; FIG. 4 is a rear elevation view thereof; FIG. 5 is a left side elevation view thereof; FIG. 6 is a right side elevation view thereof; FIG. 7 is a top view plan view thereof; and, FIG. 8 is a bottom plan view thereof.

The broken line showing is for illustrative purposes only and forms no part of the claimed design.

**1 Claim, 4 Drawing Sheets**

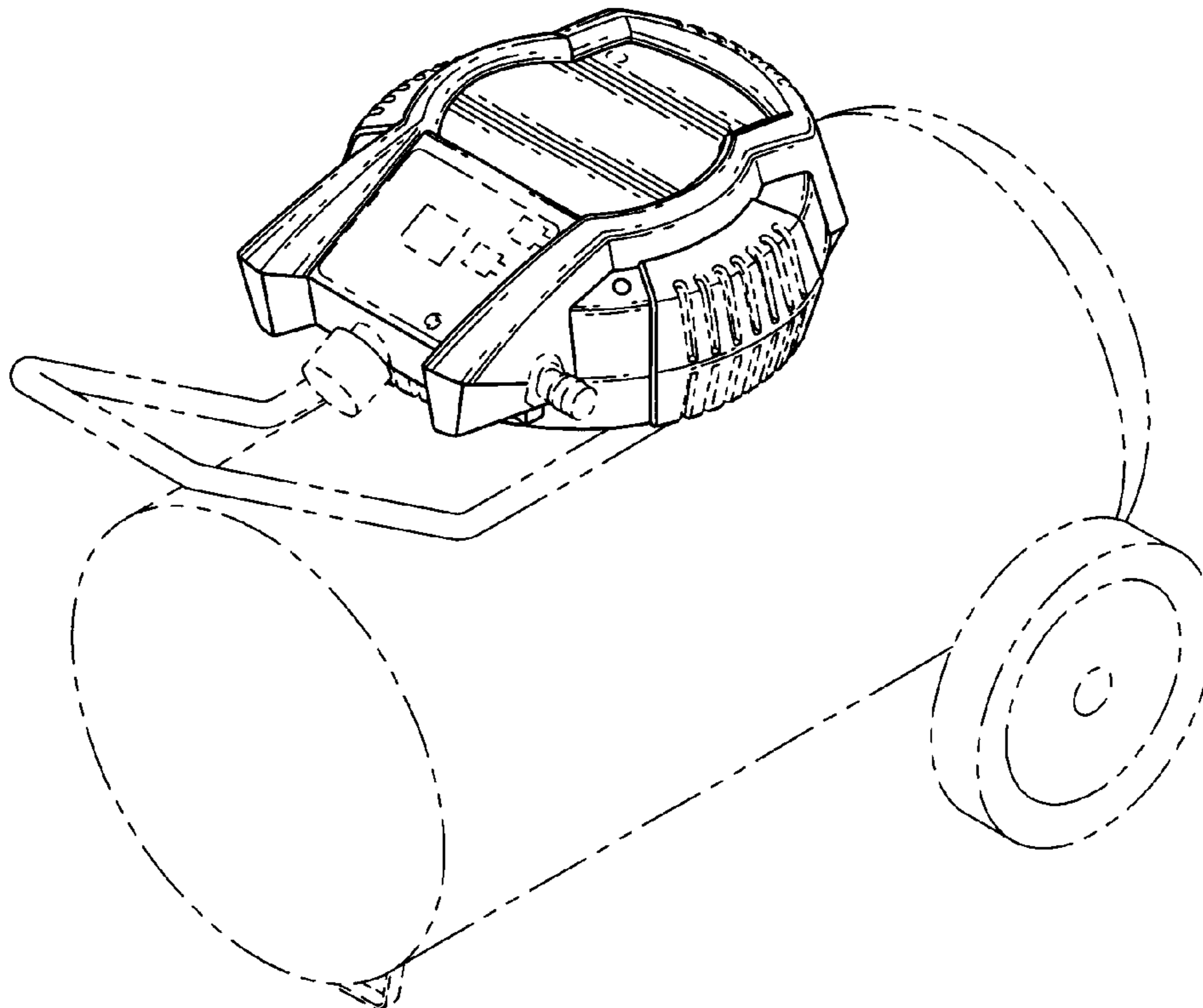


FIG. 1

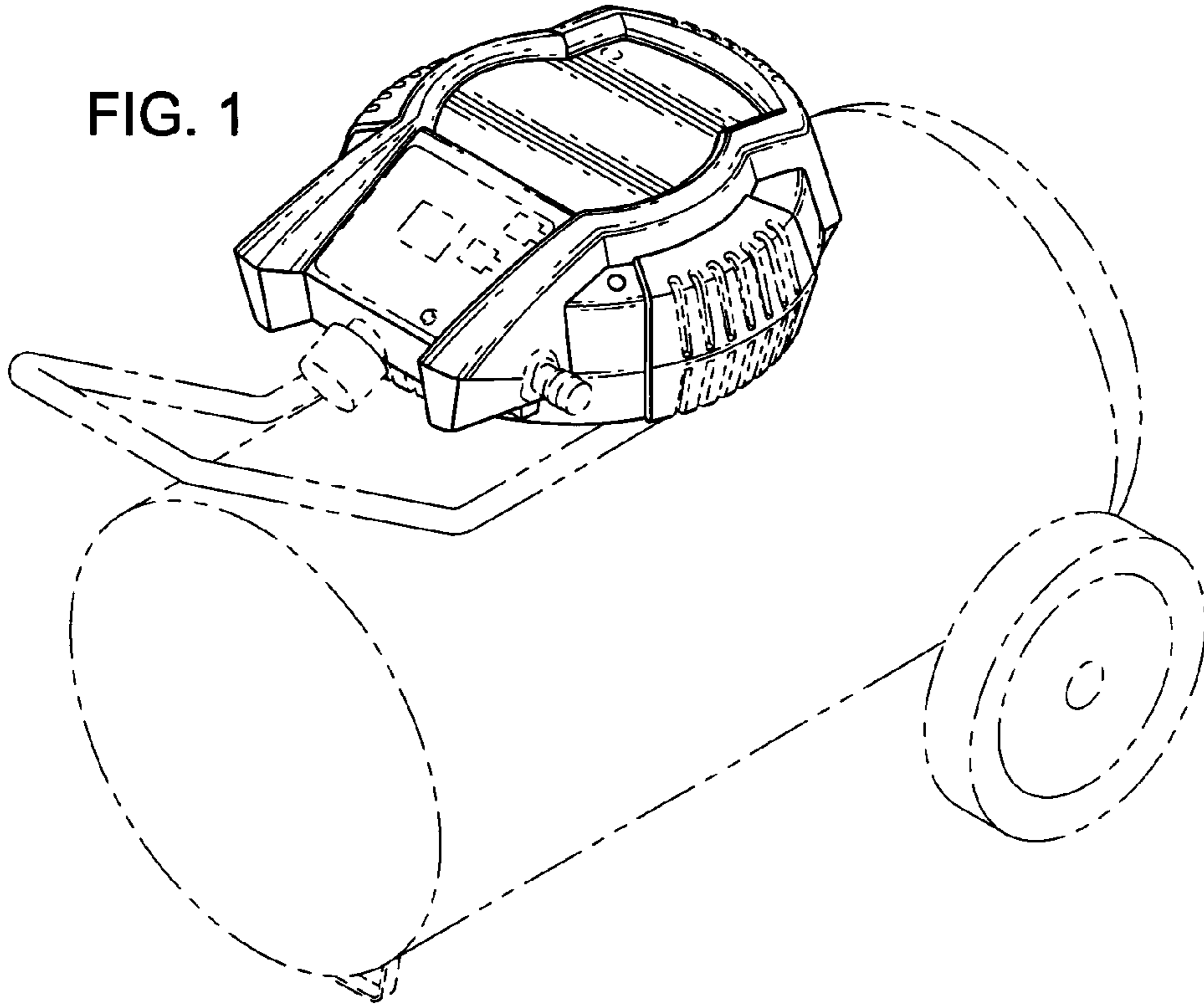


FIG. 2

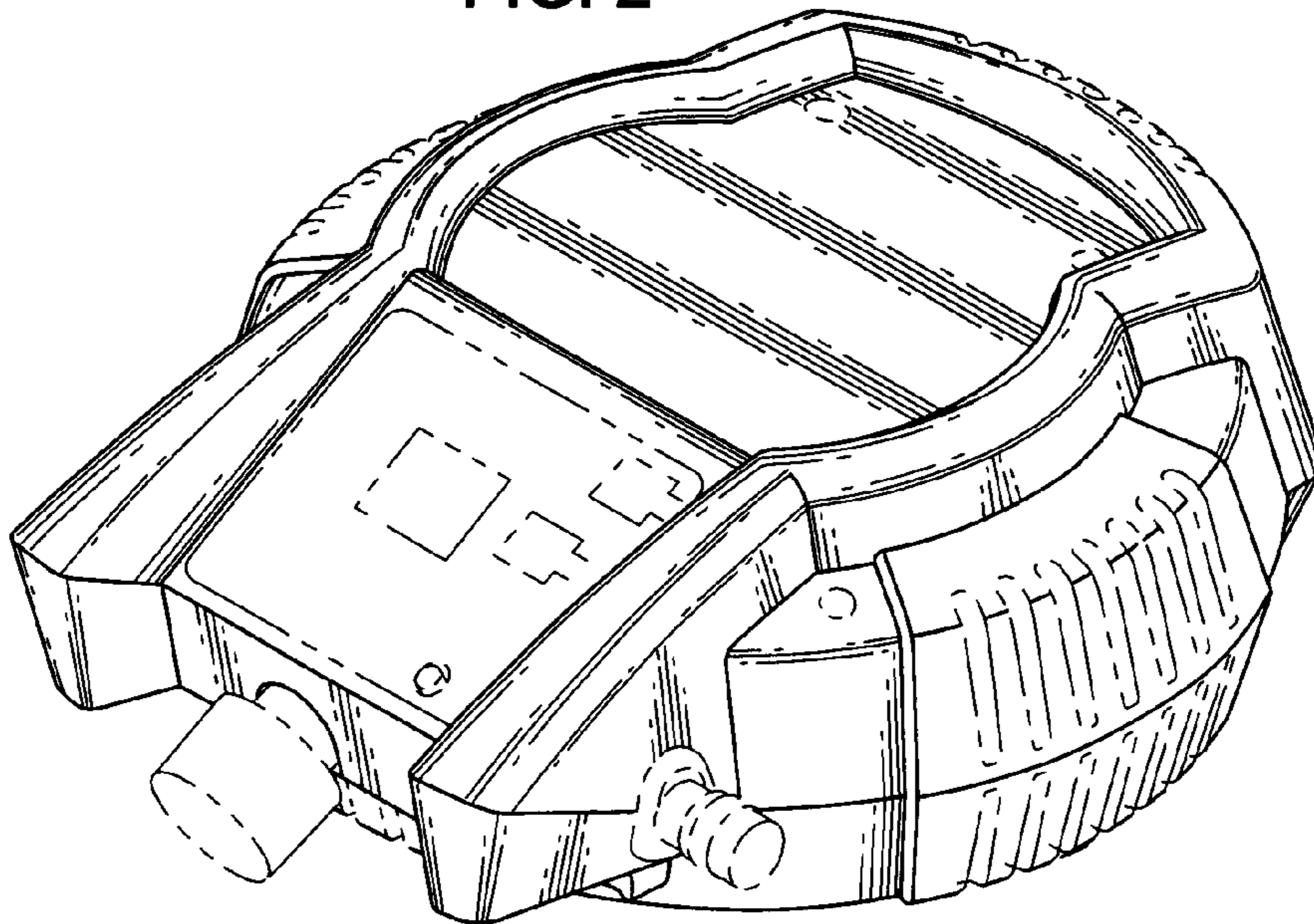


FIG. 3

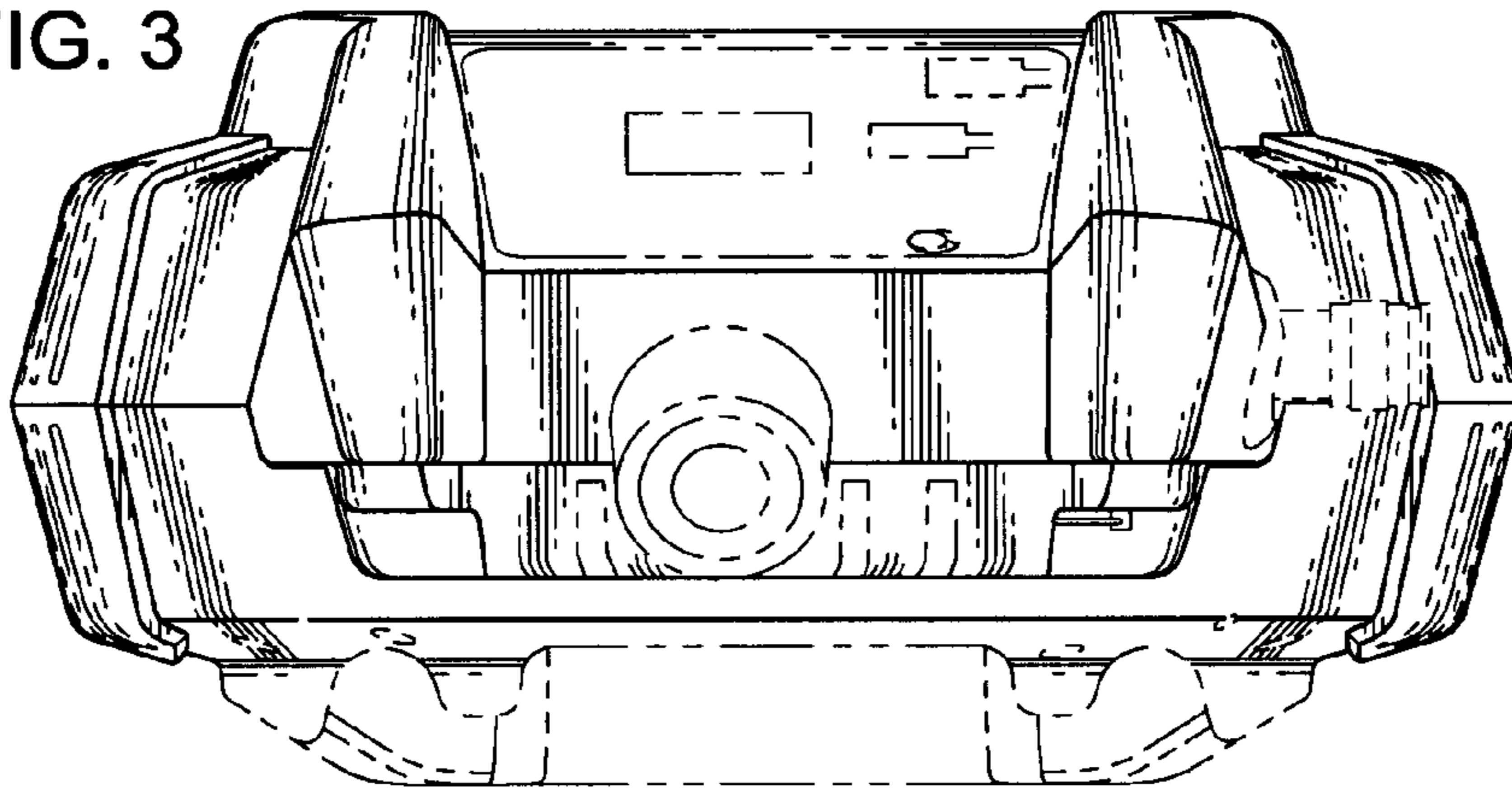


FIG. 4

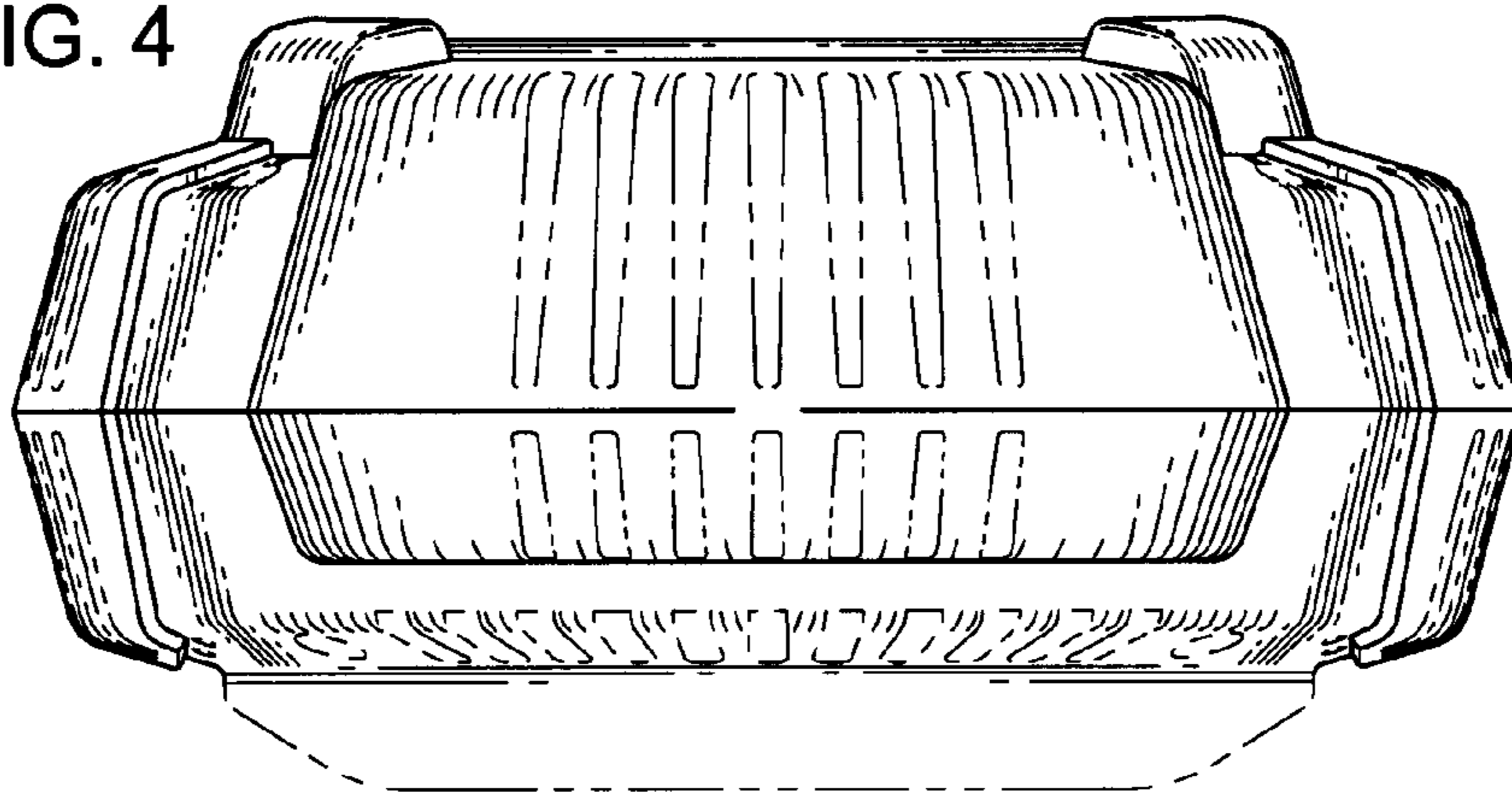


FIG. 5

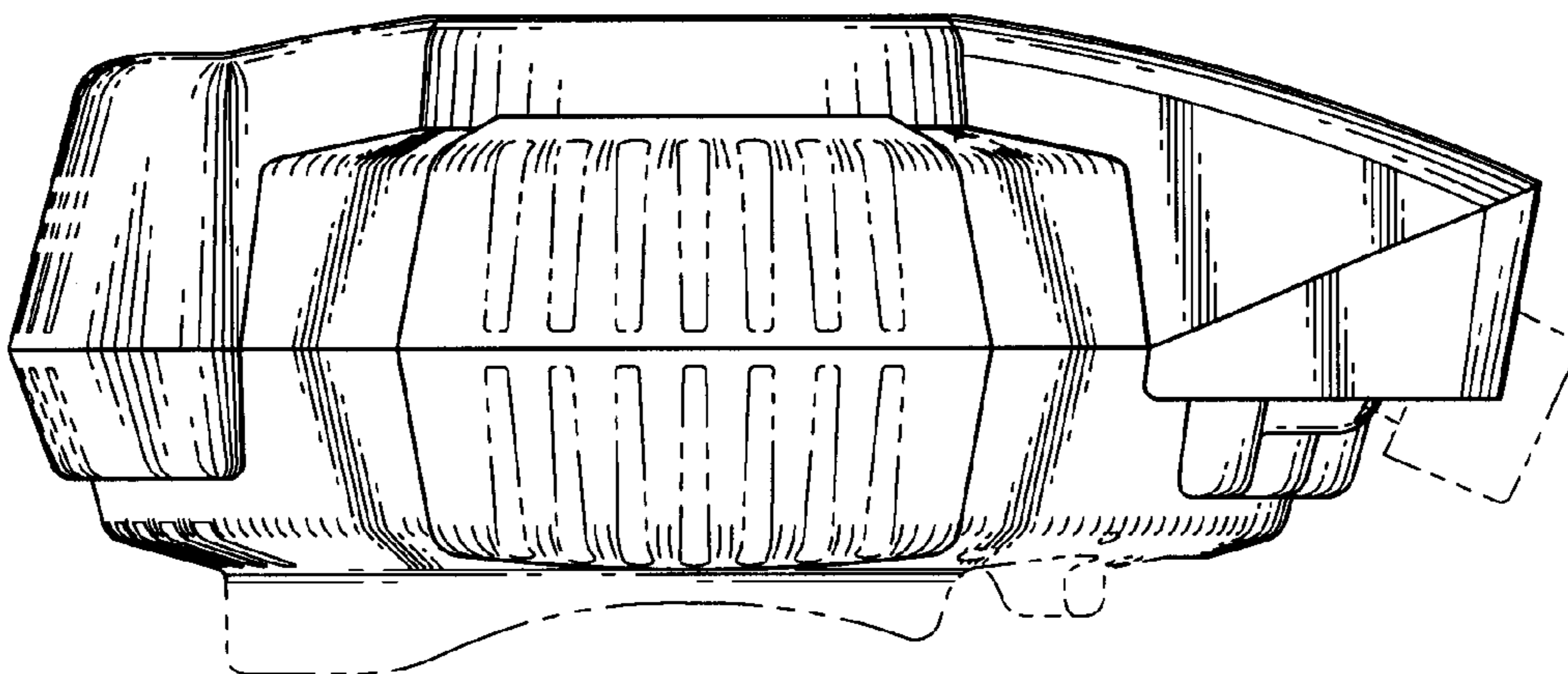


FIG. 6

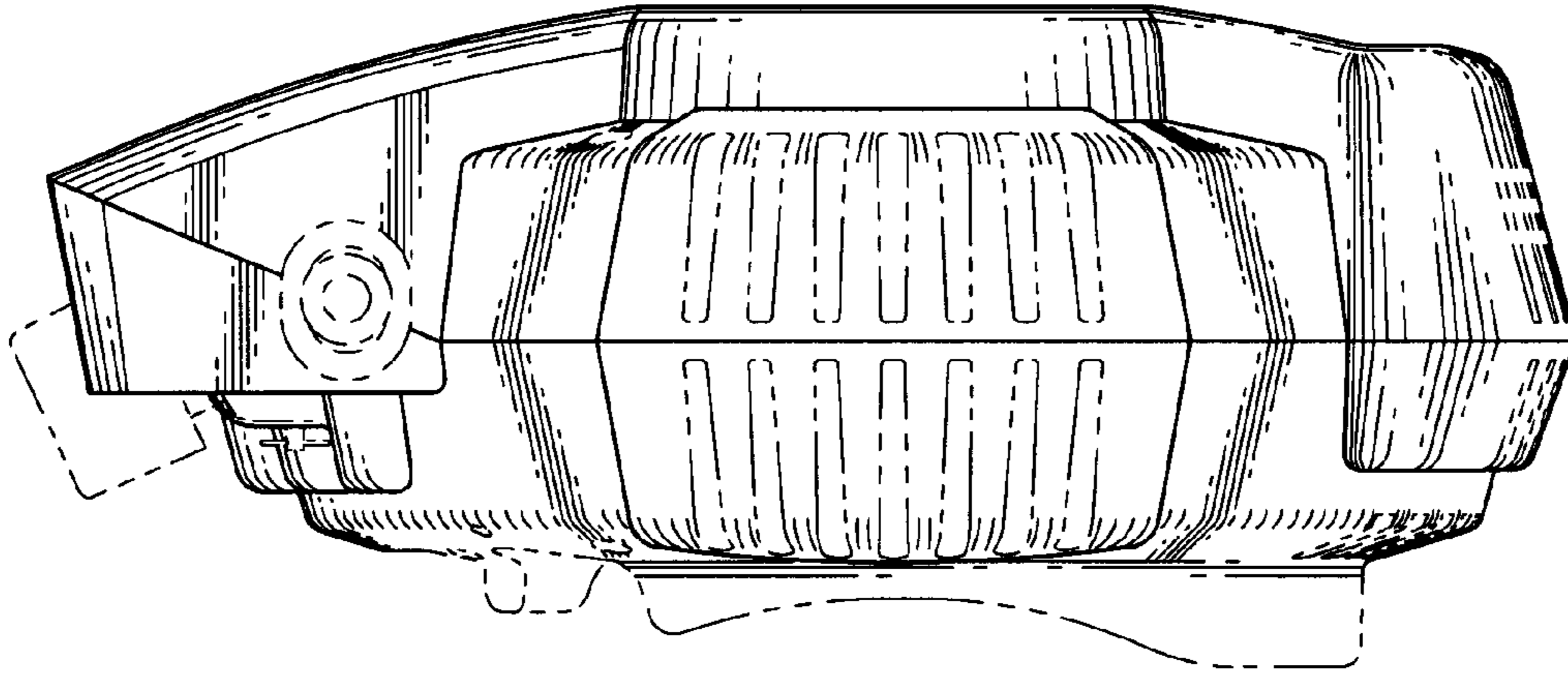


FIG. 7

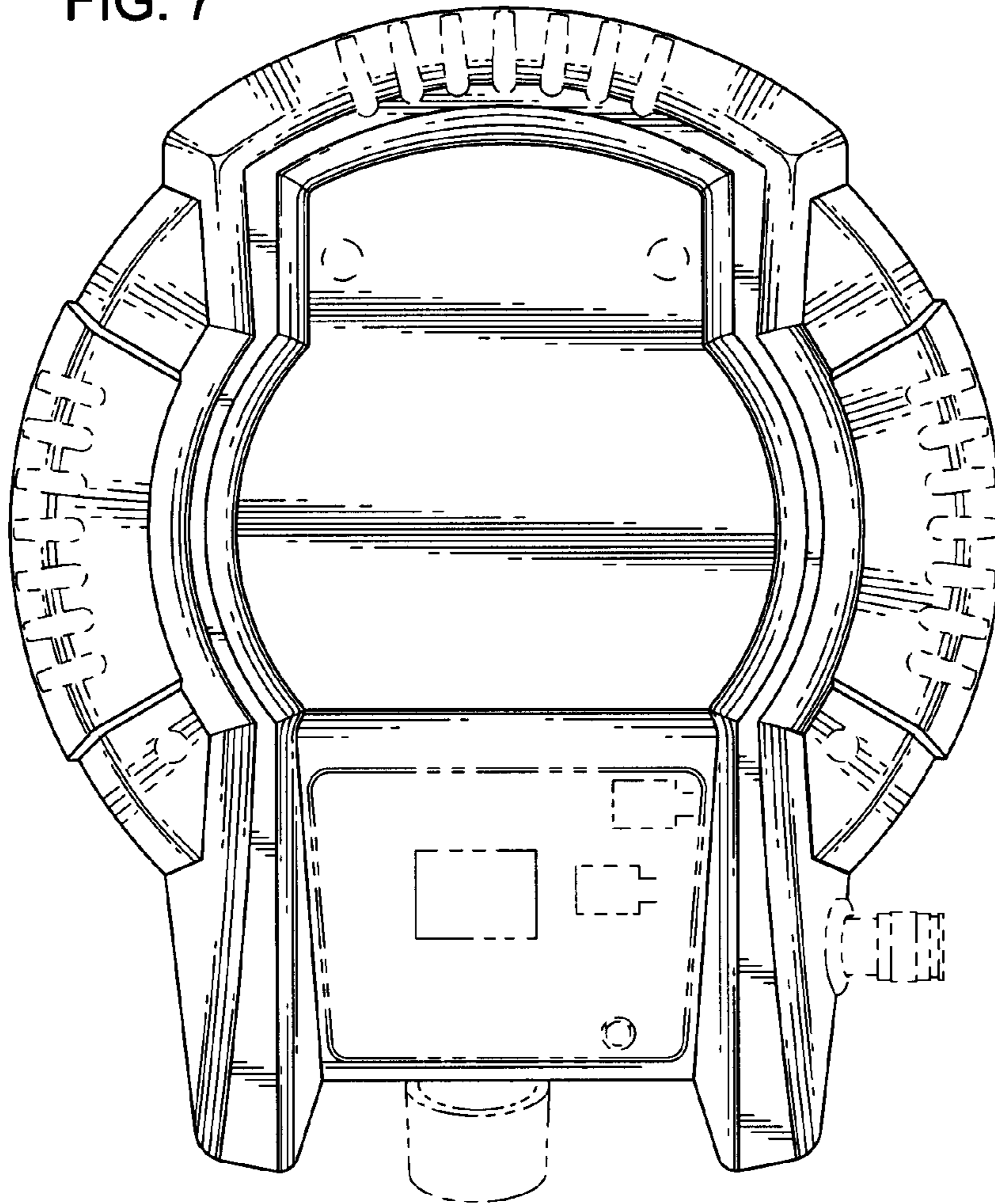


FIG. 8

