

US00D530718S

(12) **United States Design Patent**
Neal et al.

(10) **Patent No.:** **US D530,718 S**
(45) **Date of Patent:** **** Oct. 24, 2006**

(54) **PERSONAL COMPUTER BEZEL**

D438,517 S * 3/2001 Chen et al. D14/444
D459,357 S * 6/2002 Lo D14/444

(75) Inventors: **Thomas S. Neal**, Cupertino, CA (US);
Peter K. Lee, San Jose, CA (US);
Kenneth D. Wood, Portola Valley, CA
(US); **Stefan Pannenbecker**,
Dusseldorf (DE); **Tola I. Chin**, Las
Vegas, NV (US)

* cited by examiner

Primary Examiner—Freda S. Nunn

(73) Assignee: **Hewlett-Packard Development
Company, L.P.**, Houston, TX (US)

(57) **CLAIM**

We claim the ornamental design for a personal computer bezel, as shown and described.

(**) Term: **14 Years**

DESCRIPTION

(21) Appl. No.: **29/227,016**

FIG. 1 is an upper right front perspective view of a personal computer bezel wherein the areas shown in broken lines are depicted for illustrative purposes only and do not form any part of the claimed design;

(22) Filed: **Apr. 4, 2005**

(51) **LOC (8) Cl.** **14-02**

(52) **U.S. Cl.** **D14/444**

(58) **Field of Classification Search** D14/441-446;
D13/162, 184, 199; 312/223.2; 360/99.01-99.12;
361/680-686, 690-696; 369/34.01, 36.01
See application file for complete search history.

FIG. 2 is a front elevational view thereof, wherein the rear contains no design features;

FIG. 3 a left side elevational view thereof;

FIG. 4 a right side elevational view thereof;

FIG. 5 is a top plan view thereof; and,

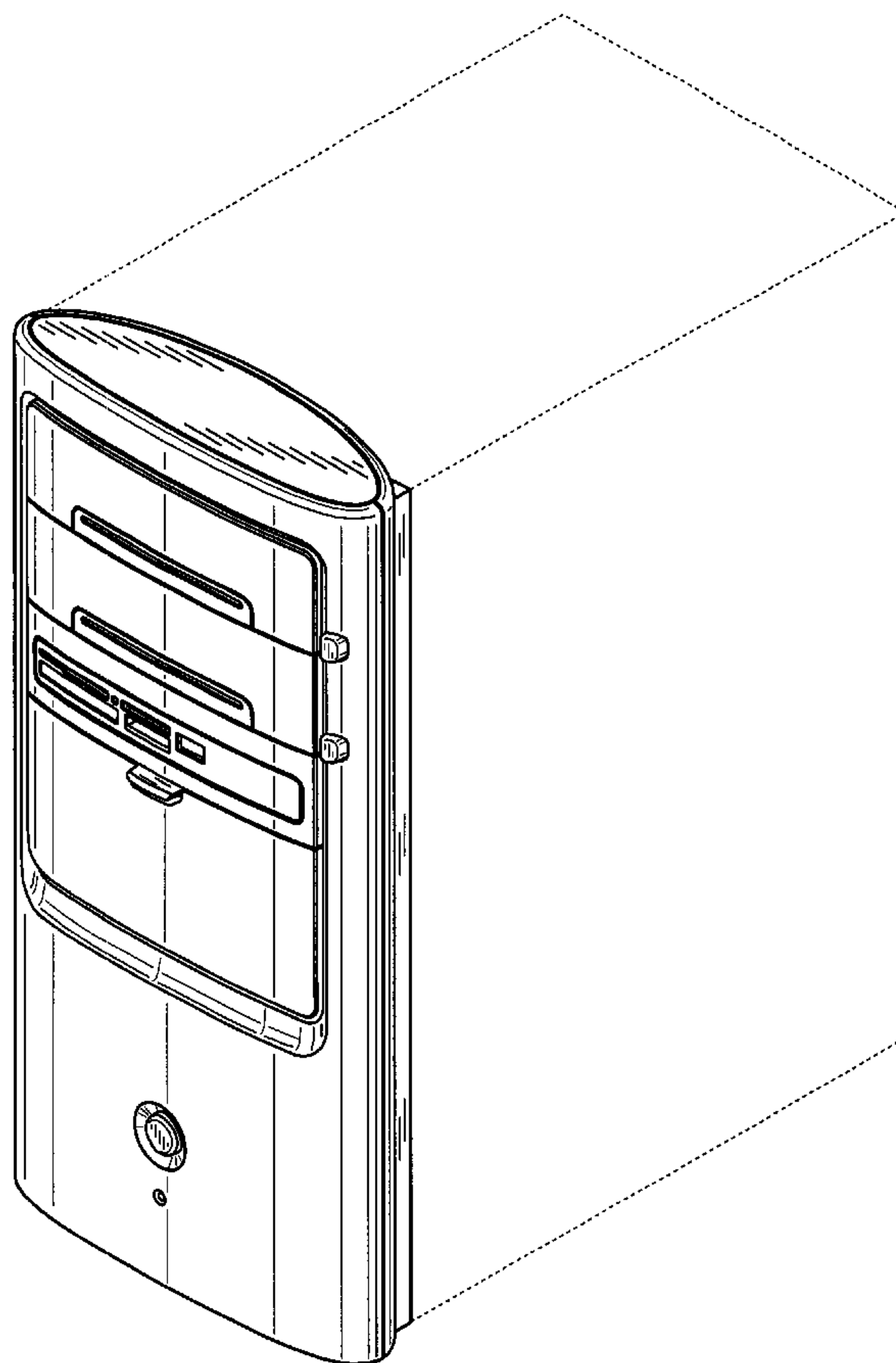
FIG. 6 is a bottom plan view thereof.

(56) **References Cited**

U.S. PATENT DOCUMENTS

5,169,218 A * 12/1992 Chu 312/223.2

1 Claim, 3 Drawing Sheets



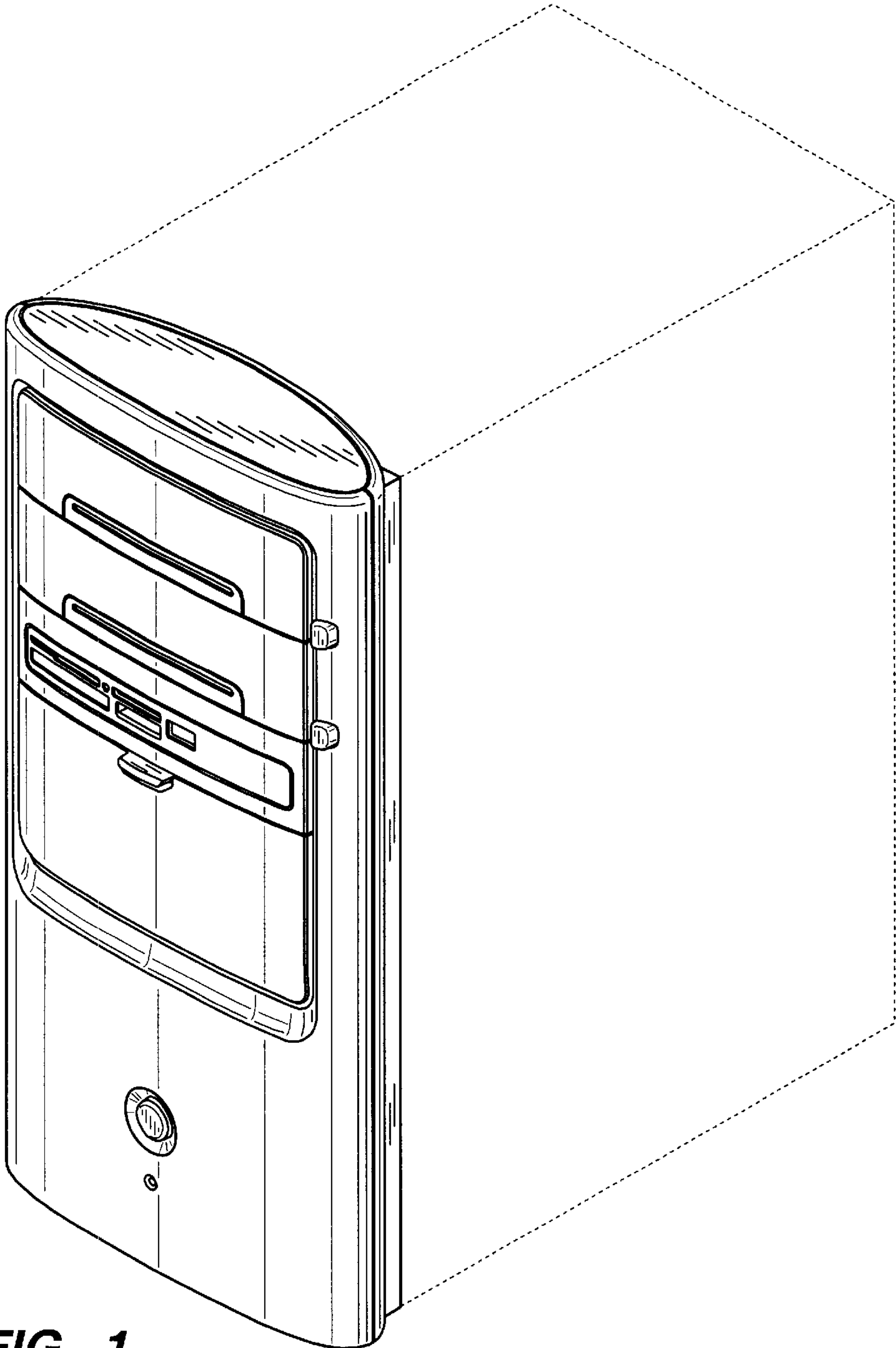


FIG. 1

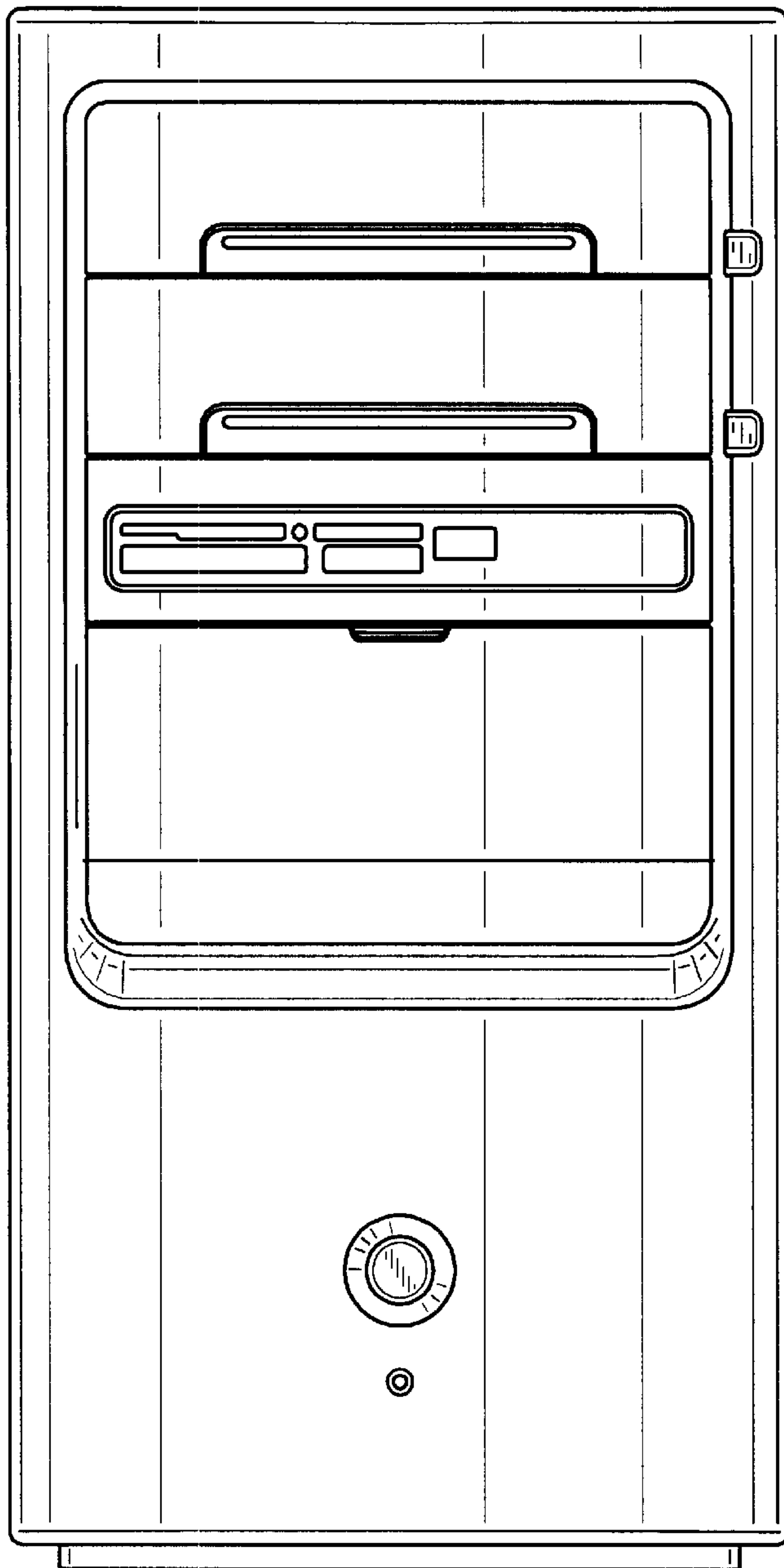


FIG. 2

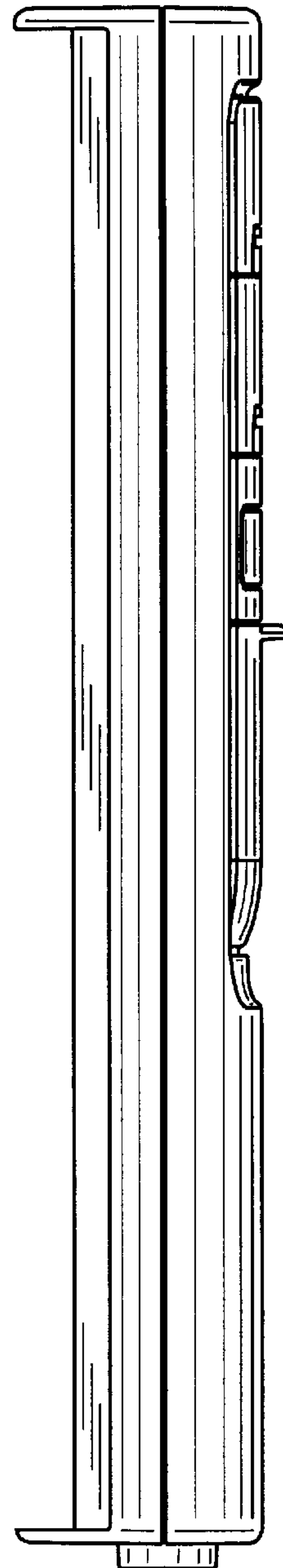


FIG. 3

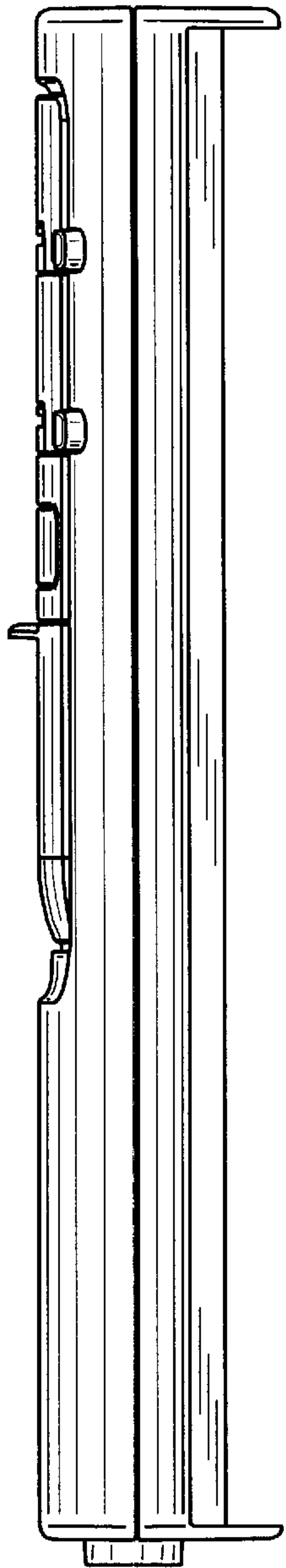


FIG._4

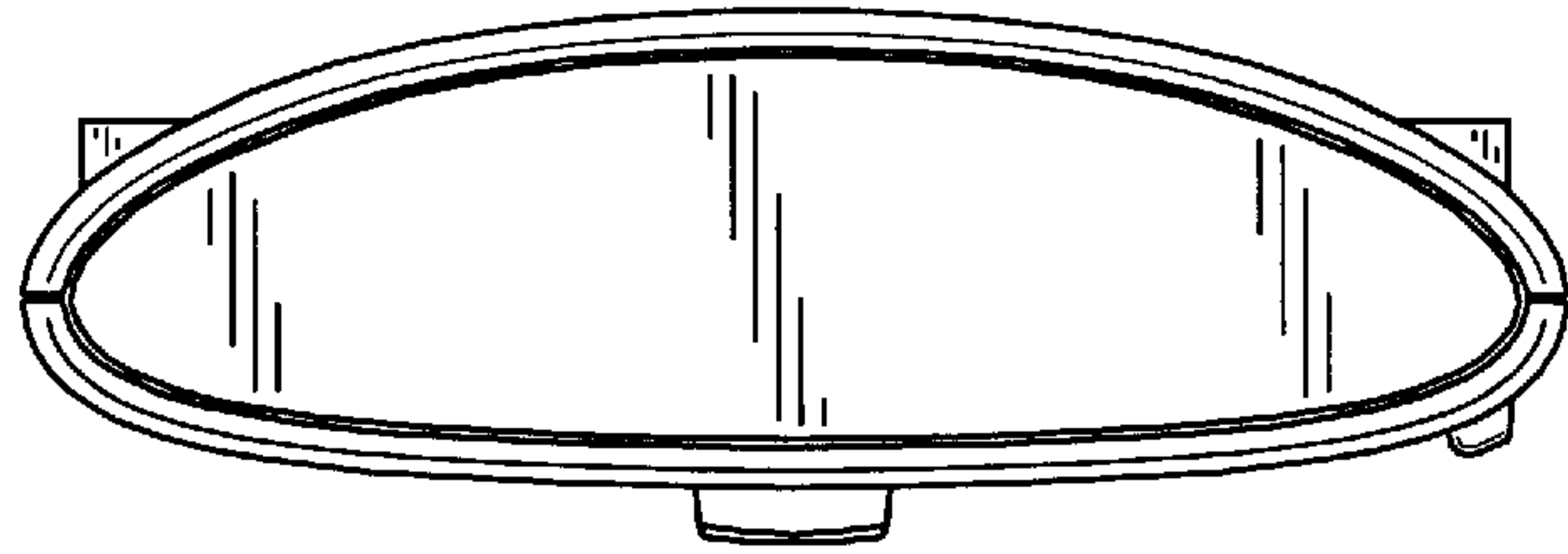


FIG._5

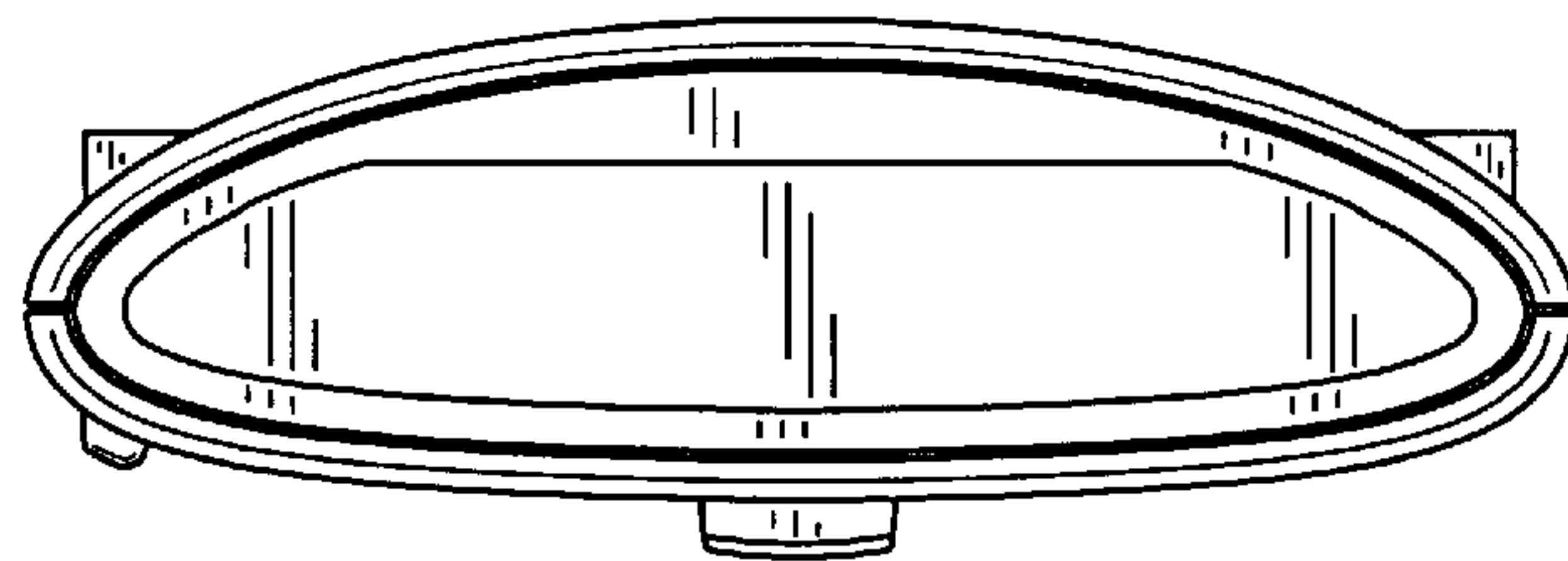


FIG._6