



US00D530717S

(12) **United States Design Patent**
Mori et al.

(10) **Patent No.:** **US D530,717 S**
(45) **Date of Patent:** **** Oct. 24, 2006**

(54) **USB HUB**

5,381,315 A 1/1995 Hamaguchi et al.
D355,416 S 2/1995 McCay et al.
5,440,181 A 8/1995 Gruender, Jr. et al.

(75) Inventors: **Kenneth Mori**, Los Angeles, CA (US);
David Goetz, Los Angeles, CA (US);
William Tan, Los Angeles, CA (US)

(Continued)

FOREIGN PATENT DOCUMENTS

(73) Assignee: **Belkin Corporation**, Compton, CA
(US)

GB	2350032	11/2000
JP	2000-120968	4/2000
JP	2000-163168	6/2000
JP	2000-171141	6/2000
JP	2000-231969	8/2000
JP	2000-311168	11/2000
JP	2001-102136	4/2001
JP	2003-021041	1/2003

(**) **Term:** **14 Years**

(21) **Appl. No.:** **29/227,834**

(22) **Filed:** **Apr. 15, 2005**

(51) **LOC (8) Cl.** **14-02**

(52) **U.S. Cl.** **D14/434**

(58) **Field of Classification Search** 361/600,
361/752, 686, 728, 622, 723, 702, 724, 725,
361/683, 684, 732, 733, 735, 730, 729, 785;
D14/432-34, 240, 238, 451; D13/146, 147,
D13/184, 123, 108; 710/305, 313, 303; 439/501-502,
439/131, 701, 535, 752.5, 638, 928, 652,
439/654, 650, 536, 74, 76.1, 928.1; 312/223.1;
257/711, 712; D1/127

See application file for complete search history.

OTHER PUBLICATIONS

Kensington USB 2.0 Dome Hub Feb. 3, 2006 33118
www.target.com.

China (Mainland) USB Hub 2.0 Feb. 3, 2006 JCE-364
22.alibaba.com.

(Continued)

Primary Examiner—Alan P. Douglas
Assistant Examiner—Susan Moon Lee
(74) *Attorney, Agent, or Firm*—Bryan Cave LLP

(56) **References Cited**

U.S. PATENT DOCUMENTS

D54,074 S	*	11/1919	Fritz	D1/127
3,990,763 A		11/1976	Kress		
4,119,359 A		10/1978	Schultz		
4,401,351 A		8/1983	Record		
4,501,460 A		2/1985	Sisler		
4,558,914 A		12/1985	Prager et al.		
4,688,864 A		8/1987	Sorel		
4,801,765 A	*	1/1989	Moyer et al.	174/52.4
D301,713 S		6/1989	Bolan et al.		
4,845,589 A		7/1989	Weidler et al.		
4,850,485 A		7/1989	Ishikawa		
5,030,128 A		7/1991	Herron et al.		
5,247,406 A		9/1993	Apple et al.		
5,333,097 A		7/1994	Christensen et al.		
5,336,102 A		8/1994	Cairns et al.		
D350,944 S		9/1994	Shewmon et al.		
5,358,420 A		10/1994	Cairns et al.		

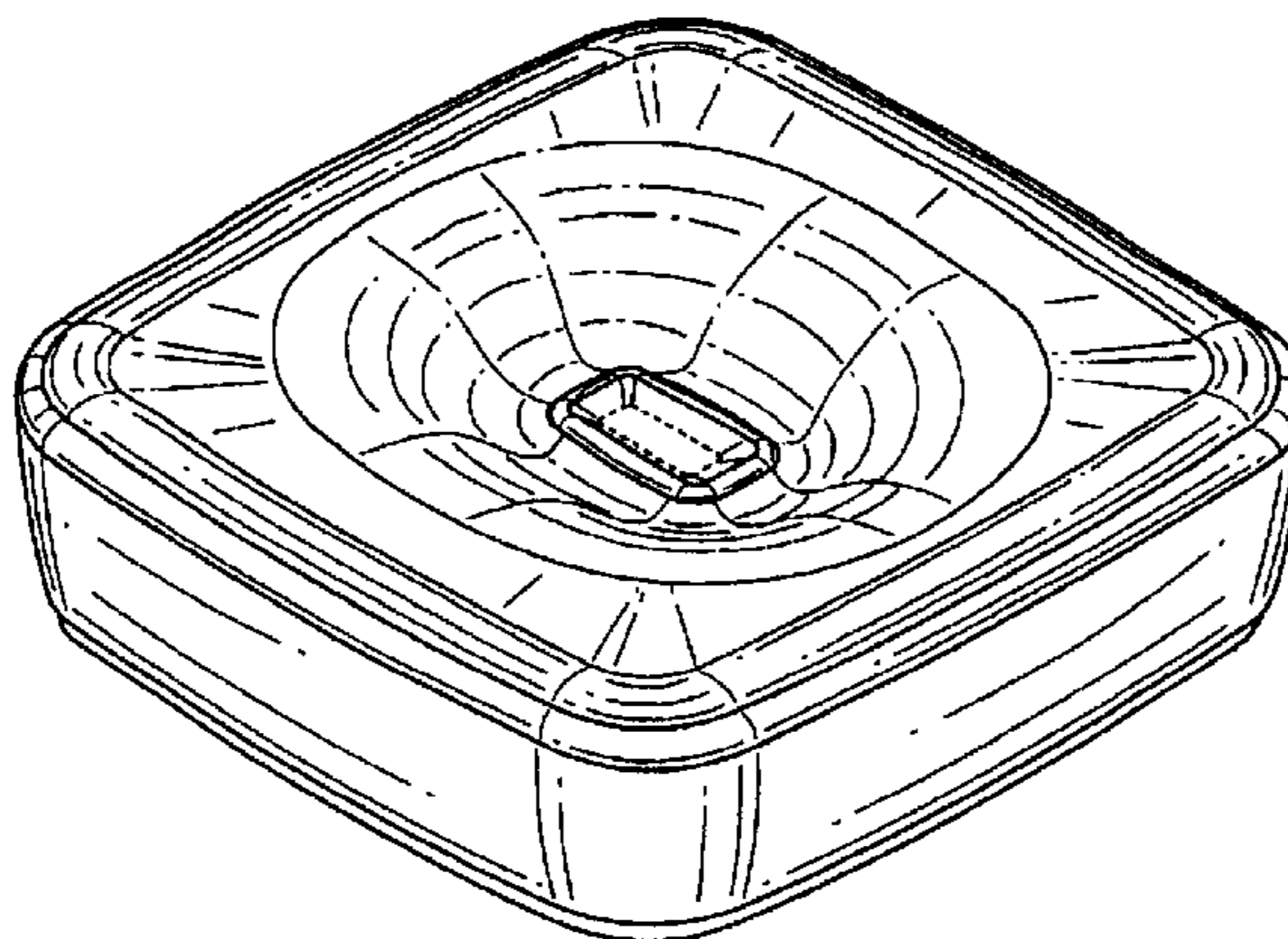
(57) **CLAIM**

We claim the ornamental design for a USB hub, as shown and described.

DESCRIPTION

FIG. 1 is a front elevational view of the USB hub;
FIG. 2 is a rear elevational view thereof;
FIG. 3 is a top view thereof;
FIG. 4 is a bottom view thereof;
FIG. 5 is a left side elevational view thereof;
FIG. 6 is a right side elevational view thereof;
FIG. 7 is a front, right, top perspective view thereof; and,
FIG. 8 is a rear, left, bottom perspective view thereof.
The broken lines in the drawings are for illustrative purposes only and form no part of the claimed design.

1 Claim, 2 Drawing Sheets



U.S. PATENT DOCUMENTS

D362,663 S 9/1995 Nguyen
 D365,333 S 12/1995 Mihalik et al.
 D366,455 S 1/1996 Cheng
 5,483,419 A 1/1996 Kaczeus, Sr. et al.
 5,498,174 A 3/1996 Speer et al.
 5,515,239 A 5/1996 Kamerman et al.
 D375,909 S 11/1996 Dziersk et al.
 5,586,002 A 12/1996 Notarianni
 5,591,048 A 1/1997 Hahn
 5,604,662 A 2/1997 Anderson et al.
 5,621,890 A 4/1997 Notarianni et al.
 D379,972 S 6/1997 Mihalik et al.
 5,645,434 A 7/1997 Leung
 5,673,172 A 9/1997 Hastings et al.
 5,692,400 A 12/1997 Bliven et al.
 5,700,159 A 12/1997 Albeck
 5,706,179 A 1/1998 Palatov
 D391,944 S 3/1998 Han
 D392,147 S 3/1998 Gervais et al.
 5,726,922 A 3/1998 Womble et al.
 D393,451 S 4/1998 Faranda et al.
 5,737,189 A 4/1998 Kammersgard et al.
 5,772,453 A 6/1998 Tan et al.
 5,777,845 A 7/1998 Krum et al.
 5,807,139 A * 9/1998 Volansky et al. 439/638
 RE35,915 E 10/1998 Hastings et al.
 5,822,184 A 10/1998 Rabinovitz
 5,825,618 A 10/1998 Schnoor et al.
 5,835,353 A 11/1998 Dalby
 5,871,368 A 2/1999 Erdner et al.
 5,875,094 A 2/1999 Kirkendoll
 D408,012 S 4/1999 Brownlie
 5,896,273 A 4/1999 Varghese et al.
 D411,989 S 7/1999 Grossman et al.
 D412,322 S 7/1999 Wu
 D412,494 S 8/1999 Tamaki et al.
 5,938,473 A 8/1999 Nishio et al.
 D413,893 S 9/1999 Luzbetak et al.
 D415,741 S 10/1999 Lee et al.
 D416,007 S 11/1999 Cavello
 D416,559 S 11/1999 Hoyt et al.
 5,986,889 A * 11/1999 Chang 361/725
 6,018,456 A 1/2000 Young et al.
 D419,978 S 2/2000 Mah
 D421,962 S 3/2000 Varga
 D422,267 S 4/2000 Richards
 D423,010 S 4/2000 Wicks
 6,047,572 A 4/2000 Bliven et al.
 6,050,849 A 4/2000 Chang
 6,052,278 A 4/2000 Tanzer et al.
 D425,866 S 5/2000 Nagasawa et al.
 6,073,188 A 6/2000 Fleming
 6,076,142 A 6/2000 Corrington et al.
 6,081,356 A * 6/2000 Branc et al. 398/129
 6,098,131 A 8/2000 Unger et al.
 6,108,198 A 8/2000 Lin
 RE36,894 E * 10/2000 Greenberg et al. 361/723
 6,141,221 A 10/2000 Tong et al.
 6,147,859 A 11/2000 Abboud
 D435,558 S 12/2000 Tong et al.
 D436,109 S 1/2001 Tong et al.
 D444,462 S 7/2001 Tsuji
 D450,686 S 11/2001 Beaumont et al.
 6,331,938 B1 12/2001 Hsieh et al.

6,349,036 B1 2/2002 Chang et al.
 D456,009 S * 4/2002 Tong et al. D13/123
 D458,608 S 6/2002 Tong et al.
 D462,689 S 9/2002 Moran
 D465,223 S 11/2002 Milan
 6,052,278 C1 5/2003 Tanzer et al.
 6,559,535 B1 * 5/2003 Crispell et al. 257/710
 D475,996 S 6/2003 Skulley
 6,607,408 B1 8/2003 Nilan
 6,609,928 B1 8/2003 Le
 6,650,549 B1 11/2003 Chiao
 6,669,513 B1 12/2003 Huang
 D485,421 S * 1/2004 Norton D1/127
 6,716,047 B1 4/2004 Milan
 6,722,917 B1 4/2004 Huang
 D500,497 S 1/2005 Yu et al.
 6,905,374 B1 6/2005 Milan
 D510,091 S 9/2005 Mori et al.
 D512,718 S 12/2005 Mori et al.
 6,983,341 B1 1/2006 Lim et al.
 2002/0106933 A1 * 8/2002 Lee 439/501
 2003/0067741 A1 * 4/2003 Alfonso et al. 361/683
 2003/0225954 A1 12/2003 WU
 2005/0047099 A1 3/2005 Mori et al.
 2005/0094355 A1 5/2005 Mori et al.
 2005/0282417 A1 12/2005 Tsao

OTHER PUBLICATIONS

Value USB 2.0 Dome Hub 4 Port Feb. 3, 2006 www.mer-
 cateo.com.
 Internet: Belkin Catalog; Hi-speed USB 2.0 4-Port Hub,
 Aug. 25, 2003; [http://catalog.belkin.com/IWCatPro-
 ductPage.process?Merchant_Id=1&Product_Id=107432].
 Internet: Belkin Catalog; USB 4-Port Hub; Aug. 25, 2003;
 [http://catalog.belkin.com/IWCatProductPage.process?Mer-
 chant_Id=1&Product_Id=20906].
 Internet: Belkin Catalog; USB 7-Port Hub; Aug. 25, 2003;
 [http://catalog.belkin.com/IWCatProductPage.process?Mer-
 chant_Id=1&Product_Id=121417].
 Internet: Netgear; Model FS605 5-Port Fast Ethernet
 Switch; Aug. 25, 2003; [http://www.netgear.com/products/
 prod_details.asp?prodID=130&view=].
 Internet: Netgear; Model FS608 8 Port 10/100 Switch; Aug.
 25, 2003; [http://www.netgear.com/products/prod_detail-
 s.asp?prodID=132&view=].
 Internet: Netgear; Model CG814M Wireless Cable Modem
 Gateway; Aug. 25, 2003; [http://www.netgear.com/prod-
 ucts/prod_details.asp?prodID=160&view=].
 Internet: Netgear; Model WGR614 Cable/DSL Wireless
 Router 54 Mbps/2.4 GHz; Aug. 25, 2003; [http://www.net-
 gear.com/products/prod_details.asp?prodID=174&view=].
 Internet: Netgear; Model MR814 802.11b Cable/DSL Wire-
 less Router; Aug. 25, 2003; [http://www.netgear.com/prod-
 ucts/prod_details.asp?prodID=151&view=].
 Internet: Netgear; Model WGT624 108 Mbps Wireless
 Firewall Router; [http://www.netgear.com/products/prod_
 details.asp?prodID=214&view=].
 Internet: Netgear Model RP614 4-Port Cable/DSL Router
 with 10/100 Mbps Switch; Aug. 25, 2003; [http://www.net-
 gear.com/products/prod_details.asp?prodID=131&view=].

* cited by examiner

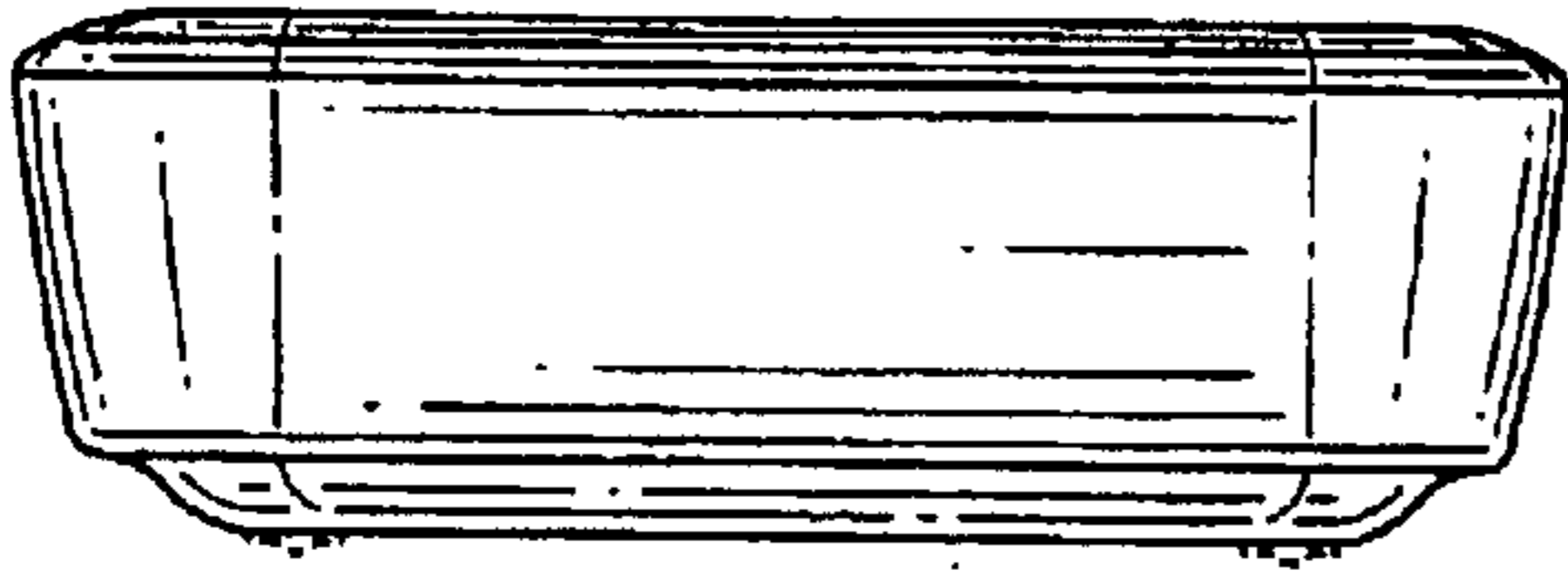


FIG. 1

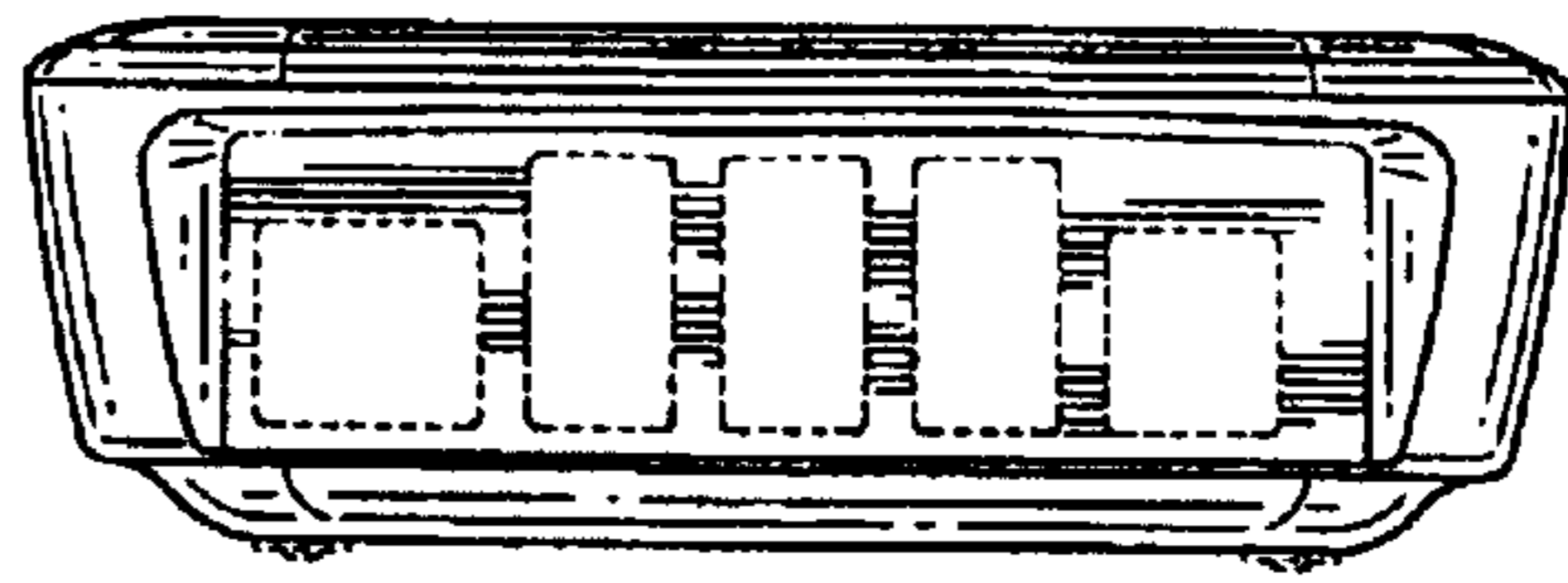


FIG. 2

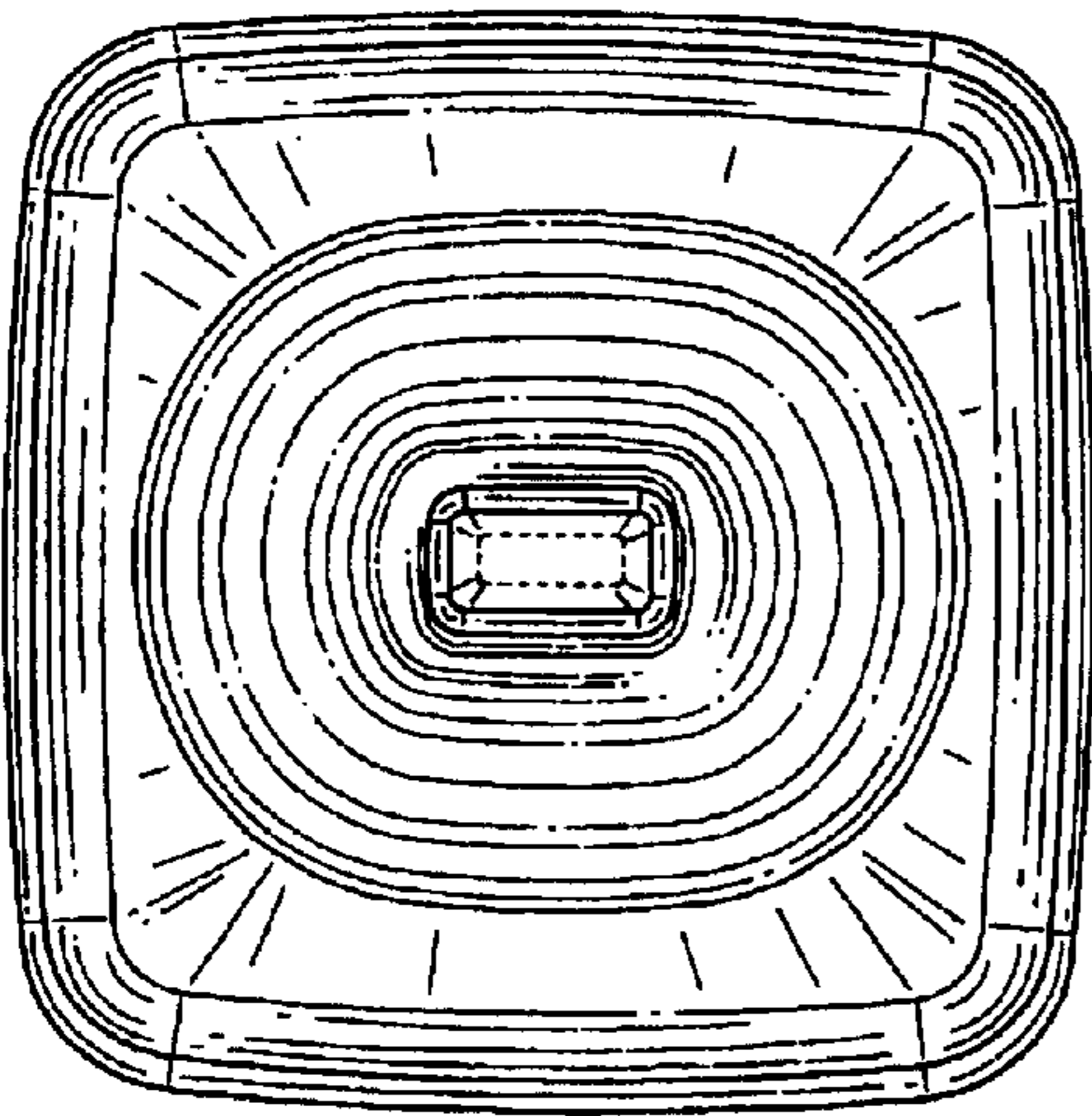


FIG. 3

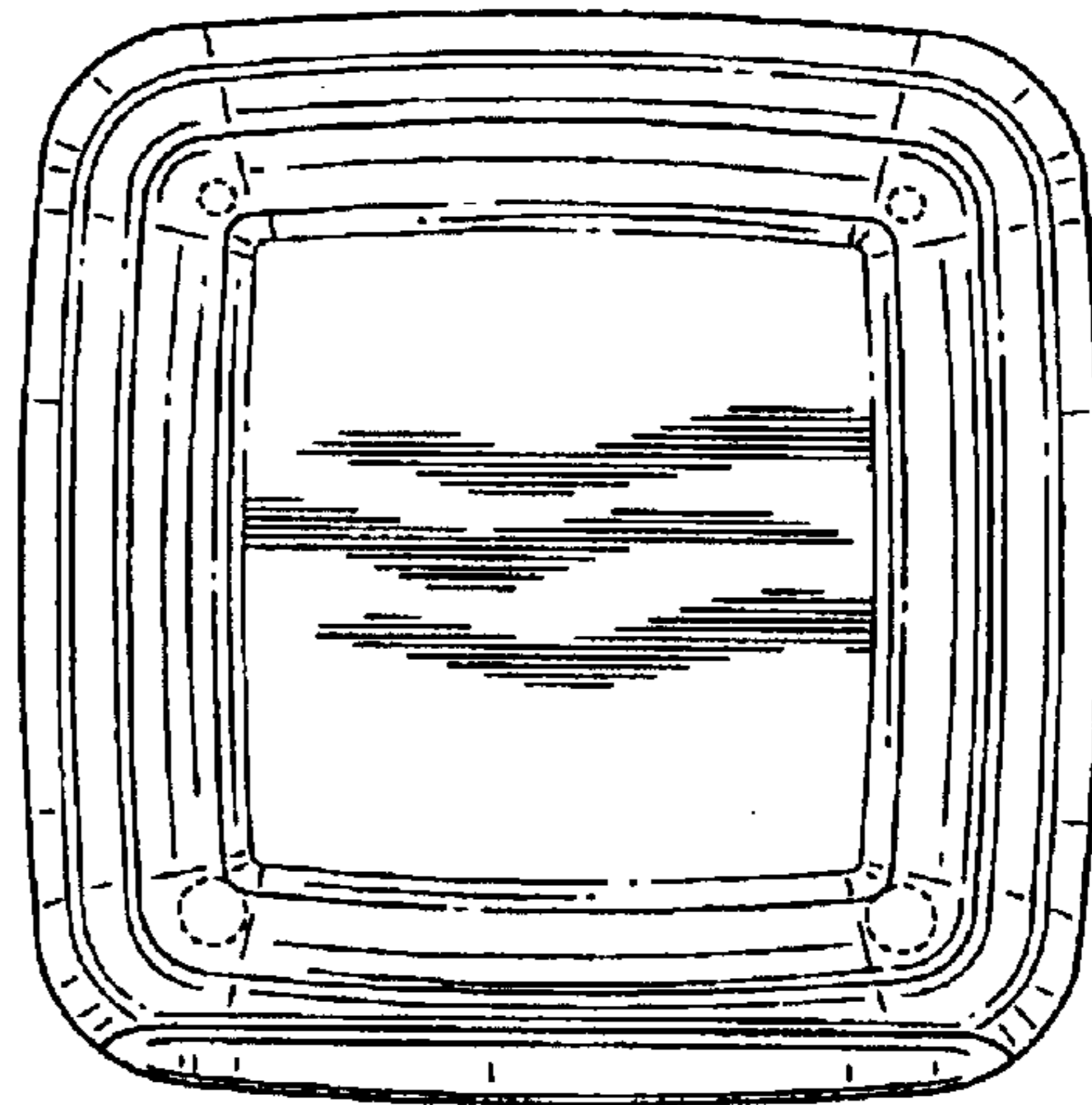


FIG. 4

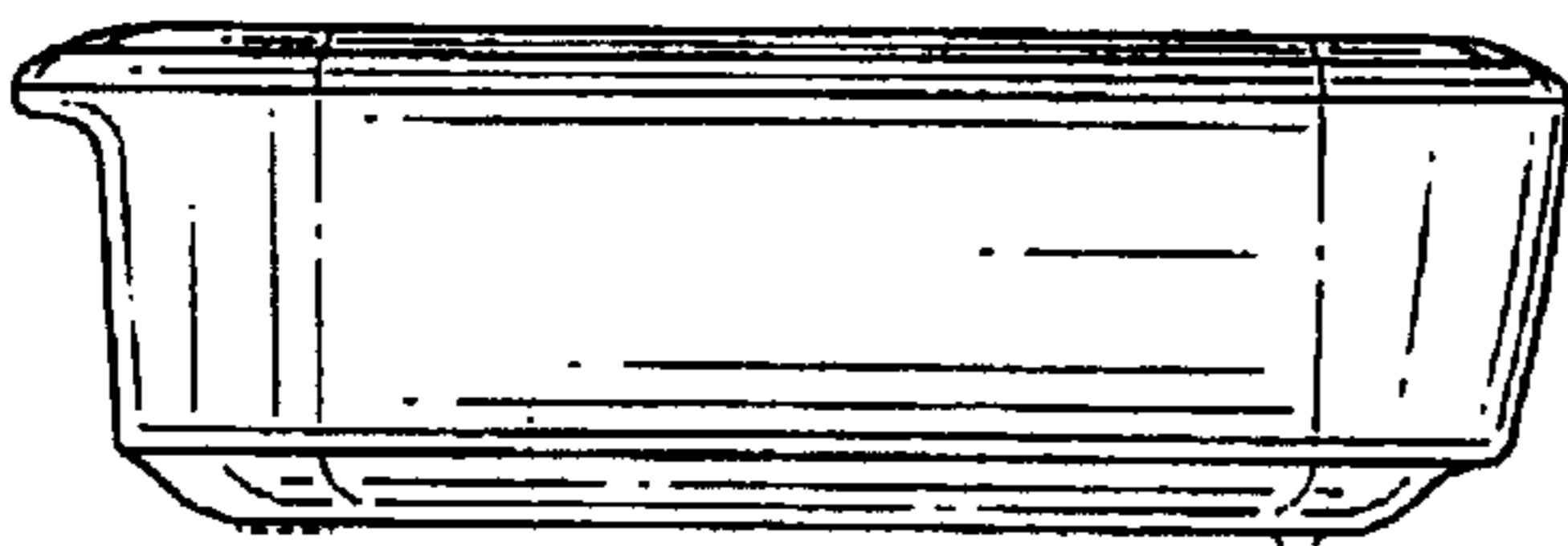


FIG. 5

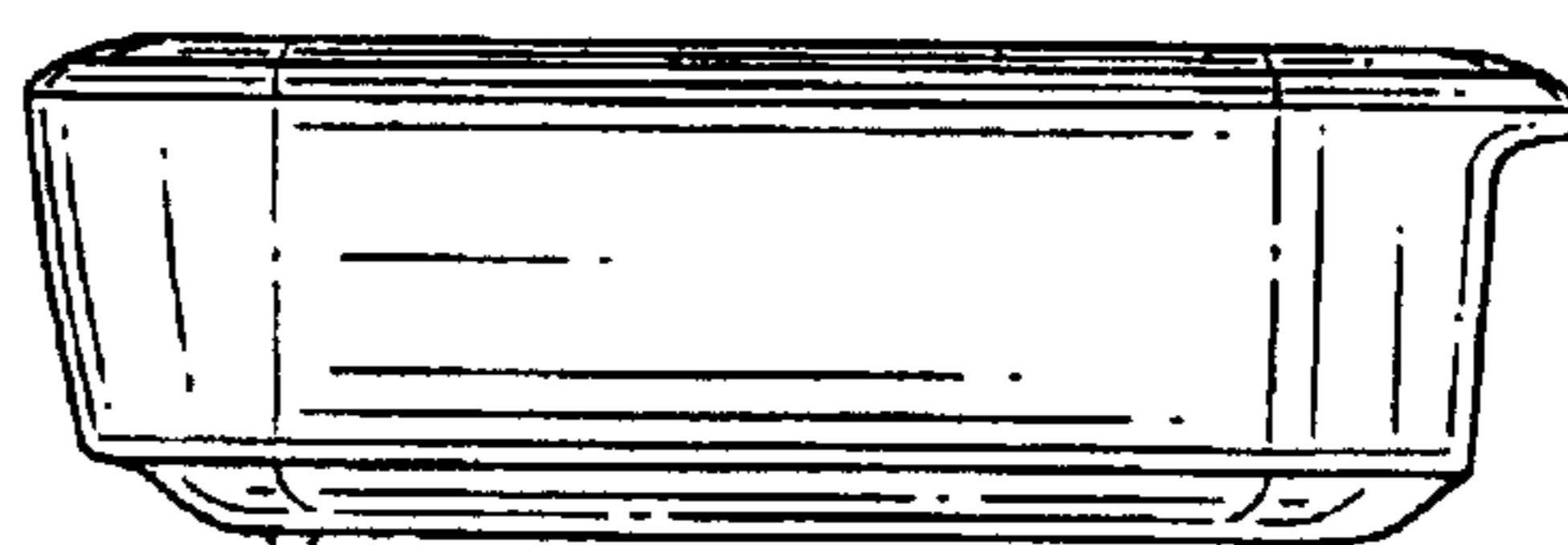


FIG. 6

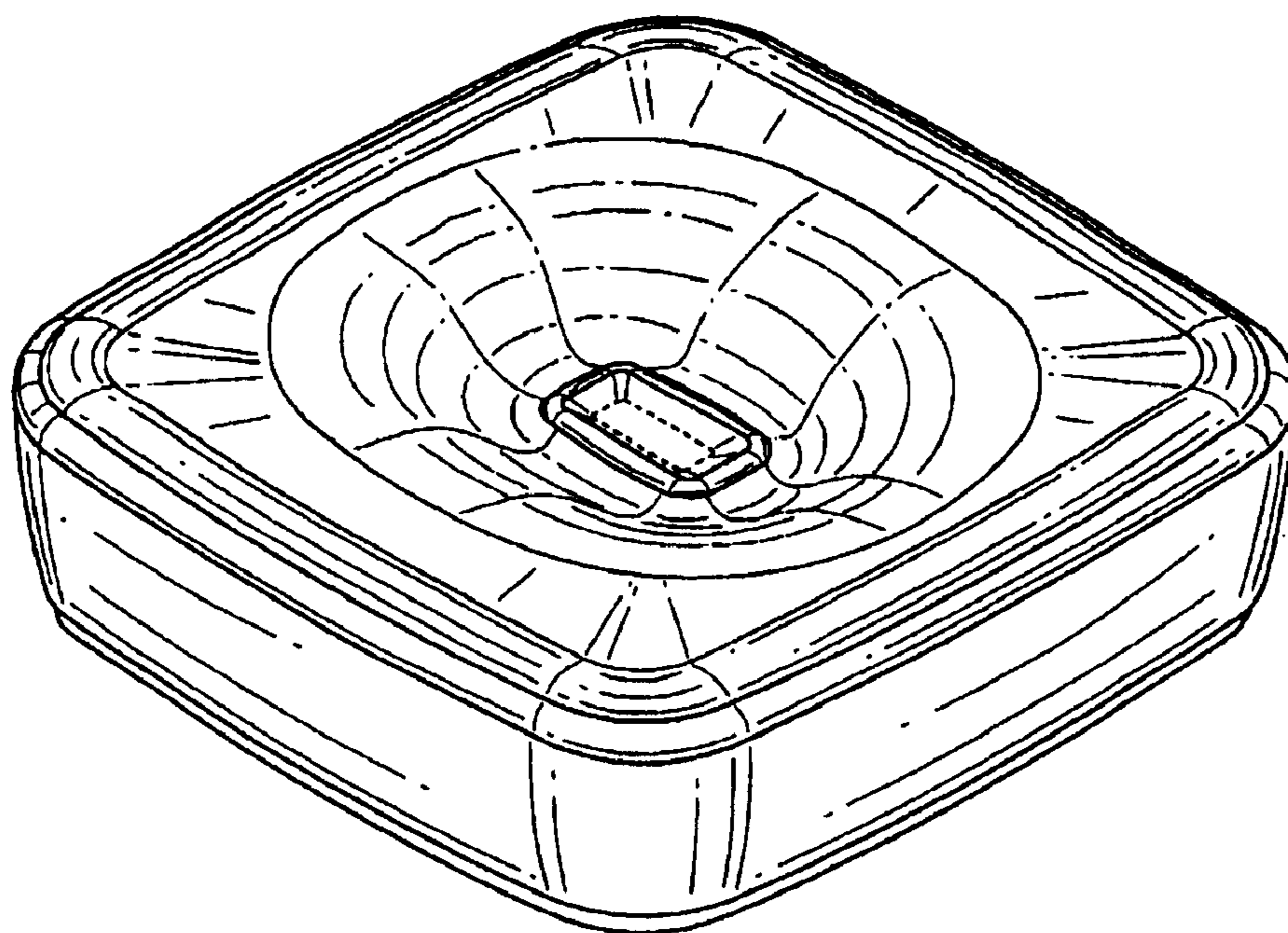


FIG. 7

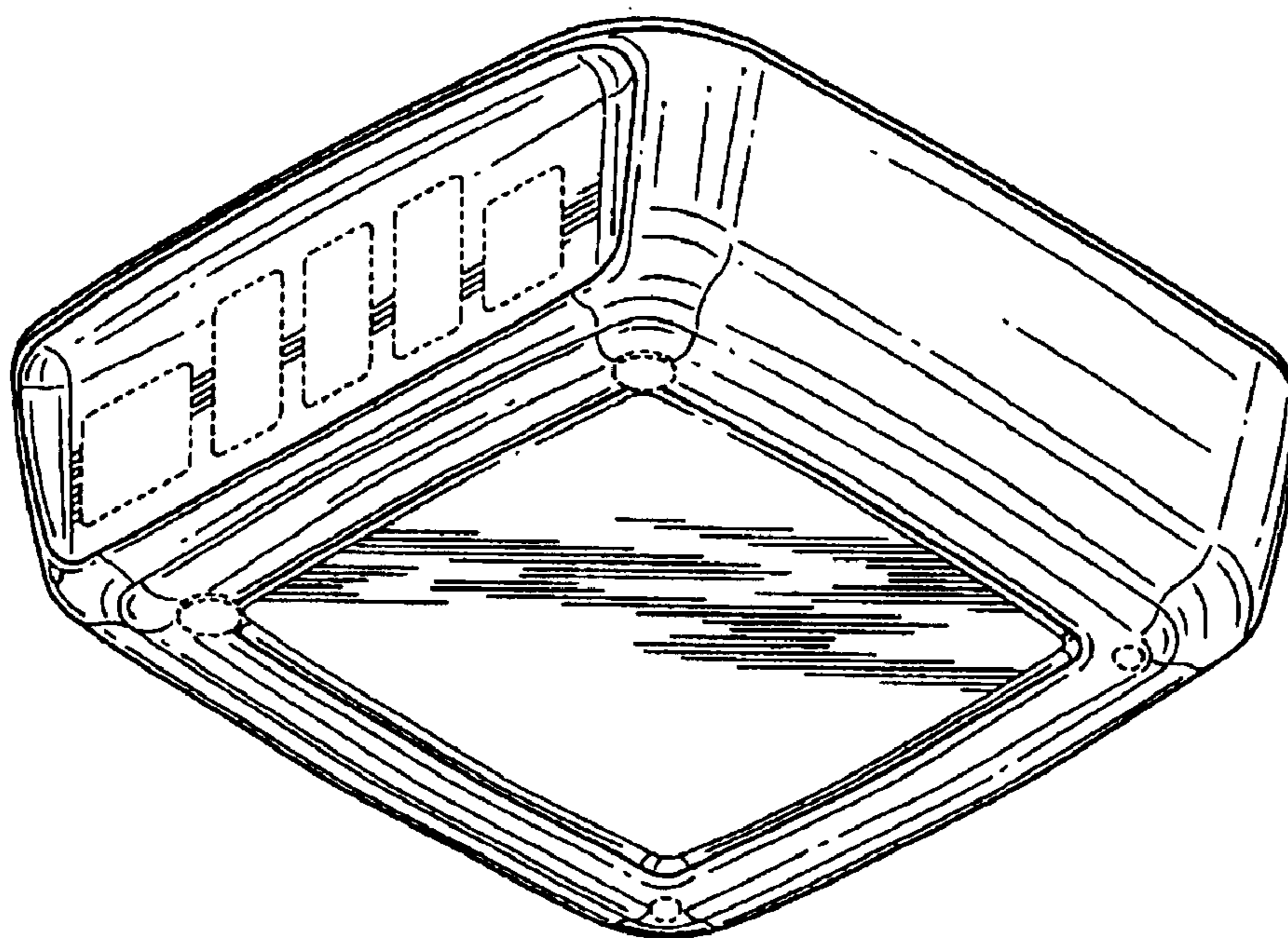


FIG. 8