

US00D530714S

(12) **United States Design Patent**  
**Lu**

(10) **Patent No.:** **US D530,714 S**  
(45) **Date of Patent:** **\*\* Oct. 24, 2006**

(54) **NON-SLIP PAD FOR AUDIO-VISUAL  
DEVICE**

(76) Inventor: **Sheng-Fu Lu**, No. 6, Lane 276, Shih  
Yuan Road, Jui Yuan Li, Tashi Town,  
Taoyuan Hsien (TW)

(\*\*) Term: **14 Years**

(21) Appl. No.: **29/237,524**

(22) Filed: **Sep. 2, 2005**

(51) **LOC (8) Cl.** ..... **14-99**

(52) **U.S. Cl.** ..... **D14/299**

(58) **Field of Classification Search** ..... D14/52,  
D14/75, 224, 229, 149, 251, 253, 299, 300,  
D14/356-357, 432-434, 439-447, 483, 458;  
D19/20, 22, 65, 78, 92, 86; D13/107, 108;  
206/215; 248/118.1; 320/115; D18/12  
See application file for complete search history.

(56) **References Cited**

**U.S. PATENT DOCUMENTS**

D76,793 S \* 11/1928 Gordon ..... D19/92  
D244,658 S \* 6/1977 Turner ..... D18/12

D349,272 S \* 8/1994 Sage ..... D13/107  
D376,177 S \* 12/1996 Springer ..... D14/458  
D400,165 S \* 10/1998 Nagele et al. .... D13/108  
D470,849 S \* 2/2003 Bertagnole et al. .... D14/434  
D486,524 S \* 2/2004 Ivey ..... D19/86  
D513,404 S \* 1/2006 Lodato et al. .... D13/108

\* cited by examiner

*Primary Examiner*—Paula A. Greene

(74) *Attorney, Agent, or Firm*—Troxell Law Office PLLC

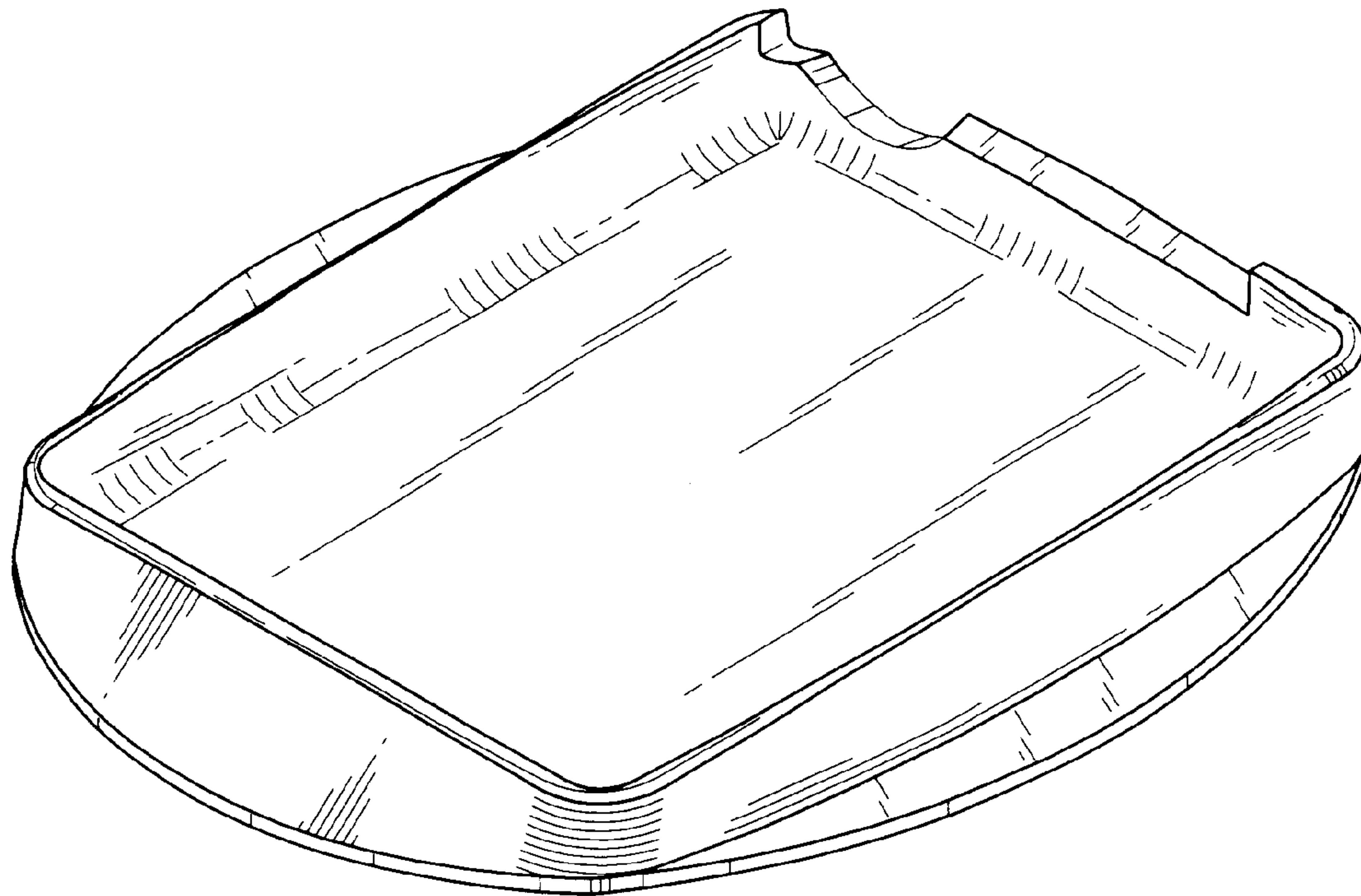
(57) **CLAIM**

The ornamental design for non-slip pad for audio-visual  
device, as shown.

**DESCRIPTION**

FIG. 1 is a front perspective view of a non-slip pad for  
audio-visual device showing my new design;  
FIG. 2 is a front elevational view thereof;  
FIG. 3 is a rear elevational view thereof;  
FIG. 4 is a left side elevational view thereof;  
FIG. 5 is a right side elevational view thereof;  
FIG. 6 is a top plan view thereof; and,  
FIG. 7 is a bottom plan view thereof.

**1 Claim, 5 Drawing Sheets**



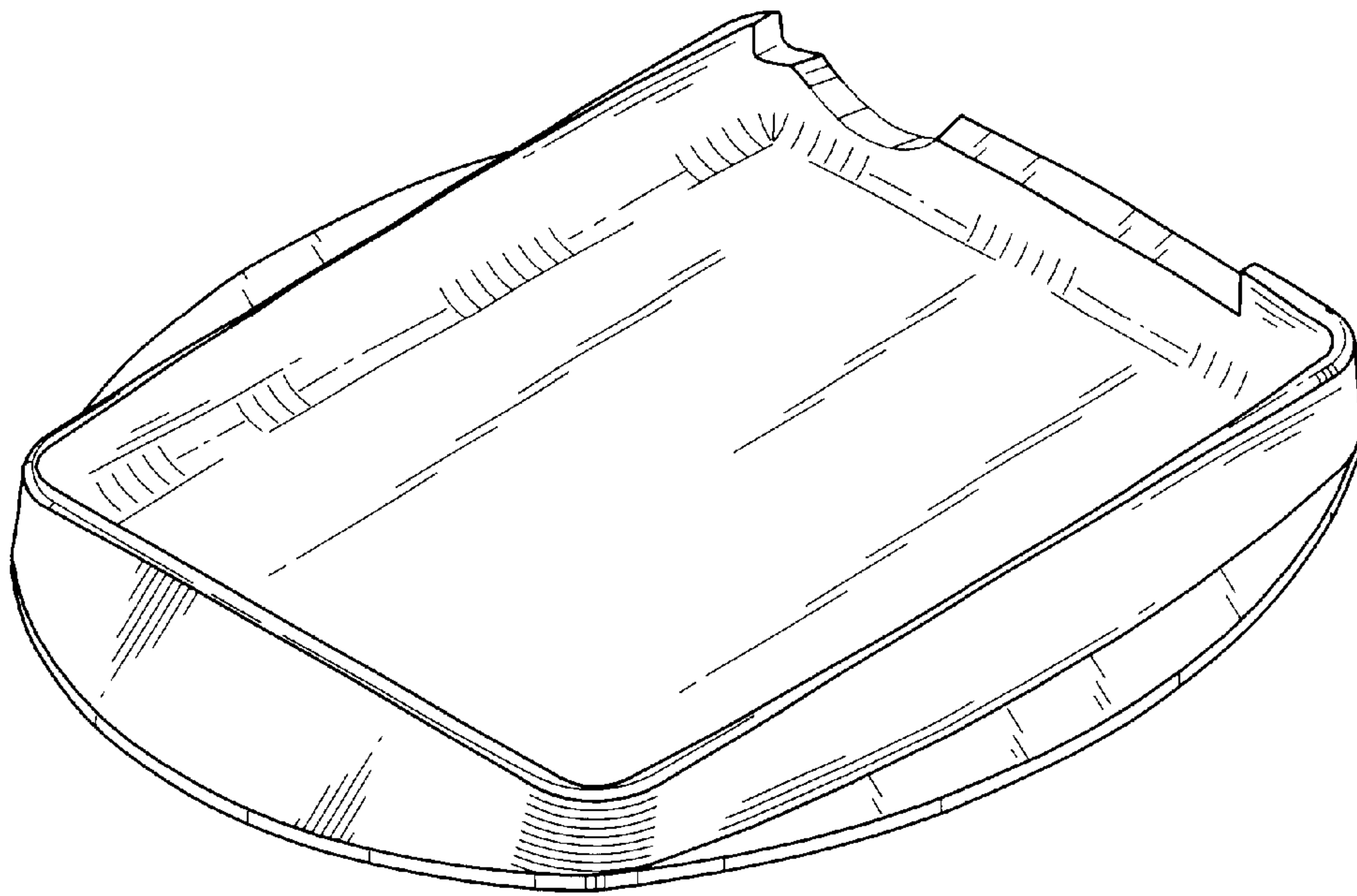


Fig. 1

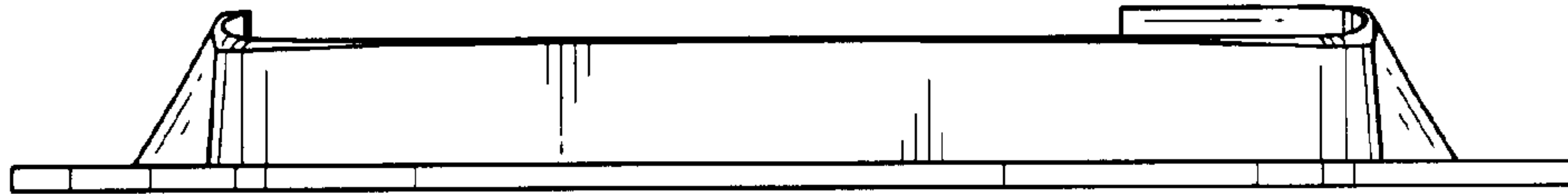


Fig. 2

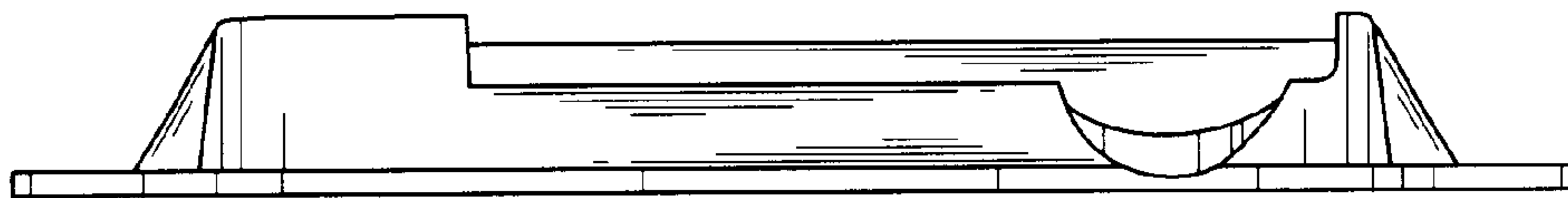


Fig. 3

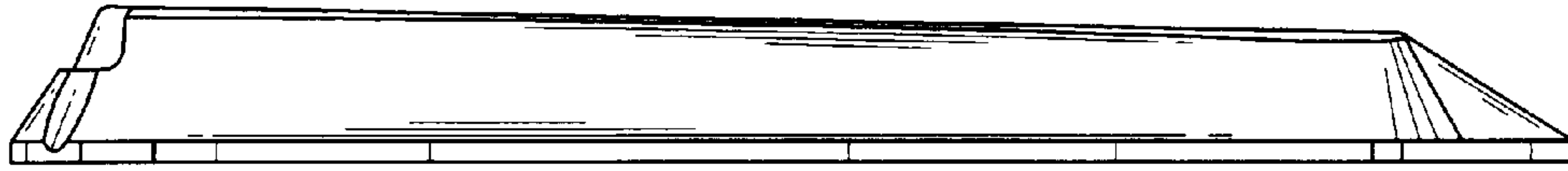


Fig. 4

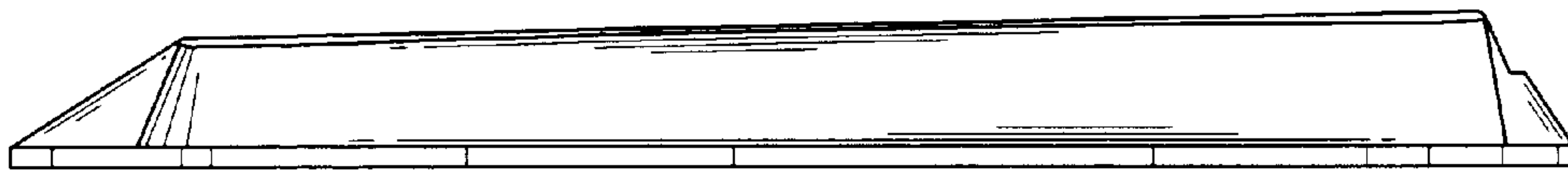


Fig. 5

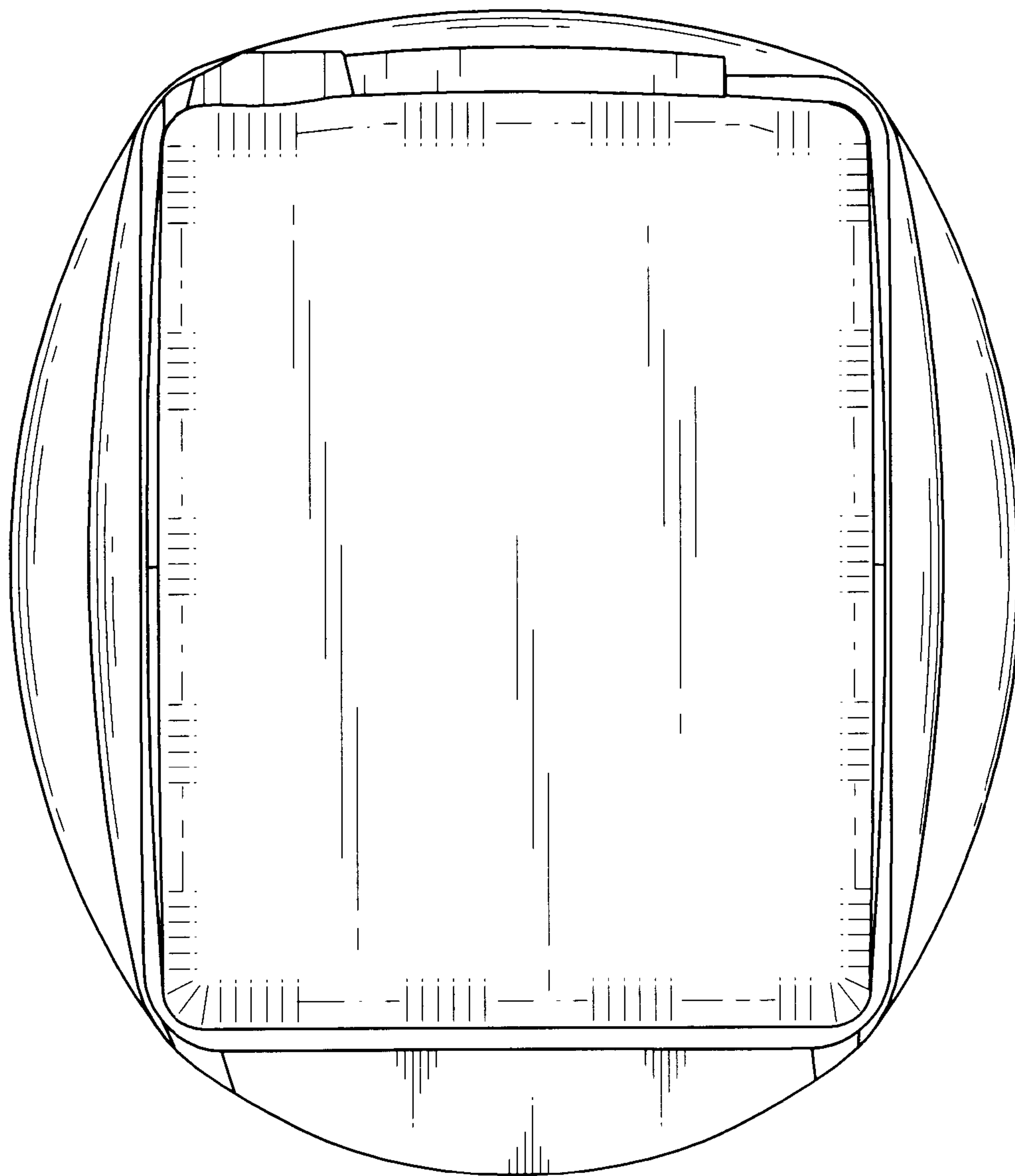


Fig. 6

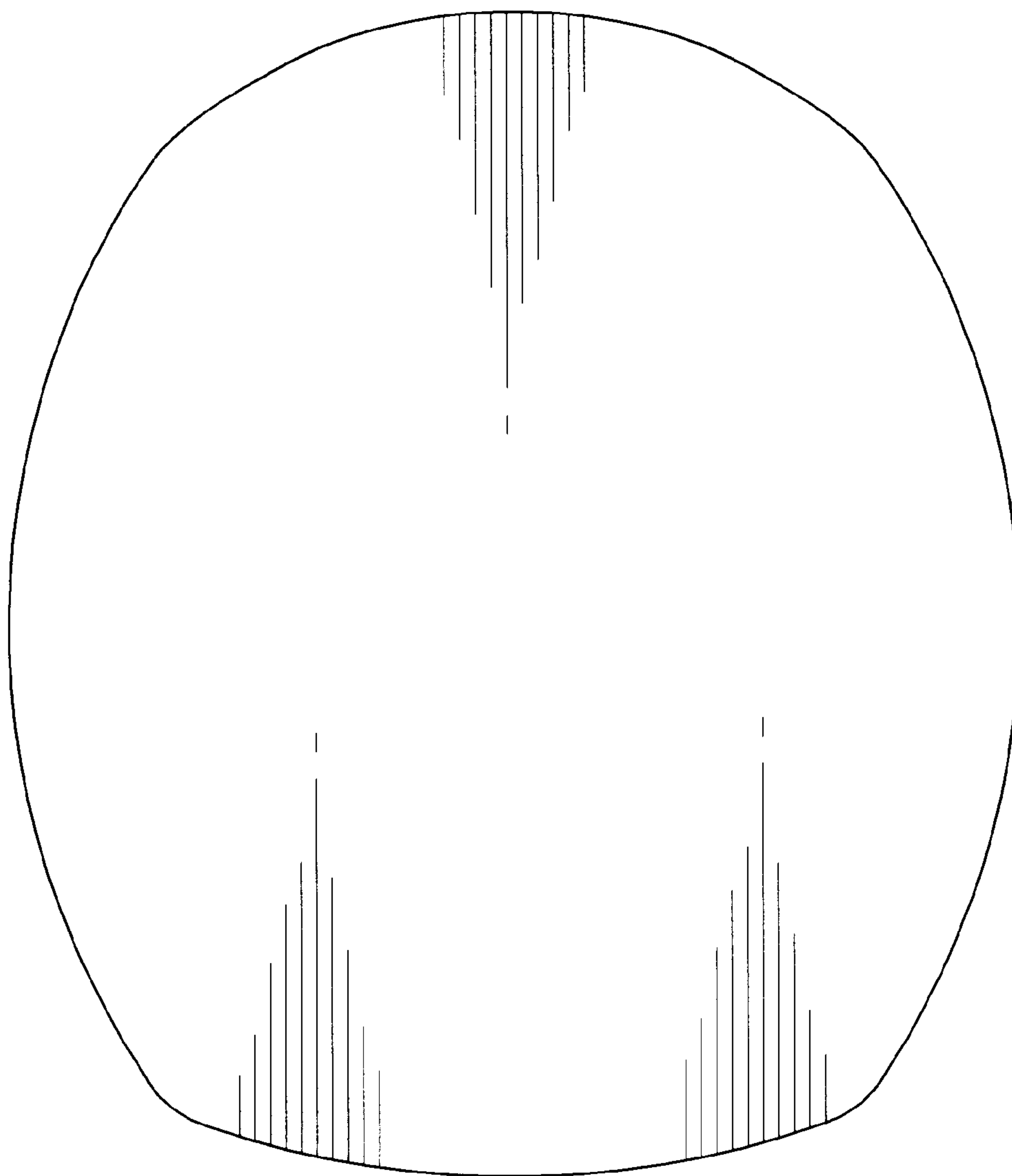


Fig. 7