



US00D530713S

(12) **United States Design Patent**
Richter

(10) **Patent No.:** **US D530,713 S**

(45) **Date of Patent:** **** Oct. 24, 2006**

(54) **INSTRUMENT HOLDER**

2005/0279902 A1 * 12/2005 Richter 248/316.4
2006/0027724 A1 * 2/2006 Richter 248/429

(76) Inventor: **Harald Richter**, Höhenstrasse 32,
75331 Engelbrand (DE)

FOREIGN PATENT DOCUMENTS

(**) Term: **14 Years**

WO DM/060267 * 6/2002
WO DM/066974 * 9/2005

(21) Appl. No.: **29/215,177**

OTHER PUBLICATIONS

(22) Filed: **Oct. 14, 2004**

“Universal Car Phone Holder”, 2 p including photo, [on-
line], <URL:http://www.mobiles.co.uk/cgi/search.cgi>, site
visited Mar. 31, 2006.*

(51) **LOC (8) Cl.** **14-03**

(52) **U.S. Cl.** **D14/253; D14/447**

(58) **Field of Classification Search** D14/146,
D14/224, 251, 252, 253, 434, 447; D6/553;
D8/350; D12/400, 415; D13/108, 177; D16/242;
248/160, 205.8, 206.2, 274.1, 371, 917; 379/454,
379/455; 455/575.1, 575.2, 575.6, 575.9,
455/90.3

“mr Handsfree Bluetooth Genius car kit”, 1 p including
photo, [online], <http://www.hellodirect.com/catalog/pro-
duct.jhtml?PRODID=10031&CATID=13072>, site visited
Mar. 31, 2006.*

(Continued)

See application file for complete search history.

Primary Examiner—Jeffrey D. Asch
Assistant Examiner—Carla Jobe Wright

(56) **References Cited**

(74) *Attorney, Agent, or Firm*—Klaus J. Bach

U.S. PATENT DOCUMENTS

(57) **CLAIM**

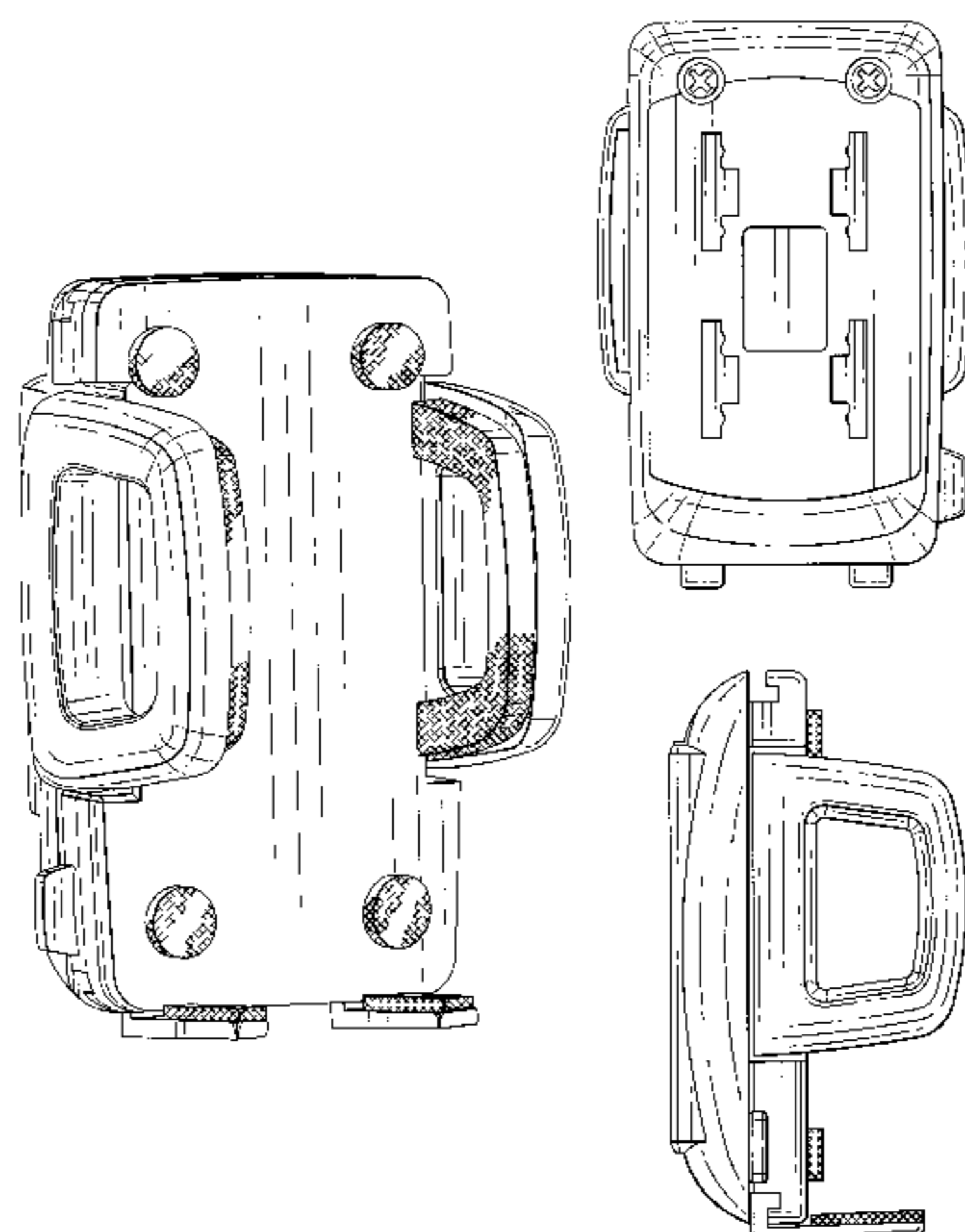
- D346,275 S * 4/1994 Hayasaka et al. D3/218
- 5,305,381 A * 4/1994 Wang et al. 379/455
- 5,414,770 A * 5/1995 Wang 379/446
- D361,335 S * 8/1995 Rudkiewicz et al. D14/253
- 5,457,745 A * 10/1995 Wang 379/454
- D379,463 S * 5/1997 Richter D14/253
- 5,659,612 A * 8/1997 Wang 379/446
- 5,694,468 A * 12/1997 Hsu 379/446
- D390,849 S * 2/1998 Richter et al. D14/253
- D392,097 S * 3/1998 Pottala et al. D3/218
- D392,646 S * 3/1998 Takayasu et al. D14/253
- 5,839,919 A * 11/1998 Chen 439/529
- D406,591 S * 3/1999 Richter D14/253
- D411,542 S * 6/1999 Richter D14/253
- 6,035,036 A * 3/2000 Eisenbraun et al. 379/446
- D431,250 S * 9/2000 Richter D14/447
- D432,121 S * 10/2000 Chen D14/253
- D456,024 S * 4/2002 Richter D14/434
- 6,366,672 B1 * 4/2002 Tsay 379/446
- D471,547 S * 3/2003 Ruohonen D14/253
- 2002/0159587 A1 * 10/2002 Chang 379/454
- 2002/0191782 A1 * 12/2002 Beger et al. 379/454
- 2004/0254002 A1 * 12/2004 Tsay 455/575.9

The ornamental design for an instrument holder, as shown
and described.

DESCRIPTION

FIG. 1 is a perspective view of an instrument holder;
FIG. 2 is a front view of the instrument holder shown with
its sides in an alternate position;
FIG. 3 is a bottom view of the instrument holder shown in
FIG. 1;
FIG. 4 is a left side view of the instrument holder shown in
FIG. 1; and,
FIG. 5 is a right side view of the instrument holder shown
in FIG. 1.
The grid pattern—shown on the four circular protrusions,
the upper surfaces of the feet, and the inner surfaces of the
side loops in FIGS. 1, 2, 4, and 5—is continuous about those
surfaces on which it is shown.

1 Claim, 3 Drawing Sheets



OTHER PUBLICATIONS

“Nokia Original CR-39 Universal Car Holder”, 1 p including photo, [online], <<http://www.mobiles.co.uk/cgi/search.cgi>>, site visited Mar. 31, 2006.*

“Universal Air Vent Holder”, 1 p including photo, [online], <<http://www.mobiles.co.uk/cgi/search.cgi>>, site visited Mar. 31, 2006.*

* cited by examiner

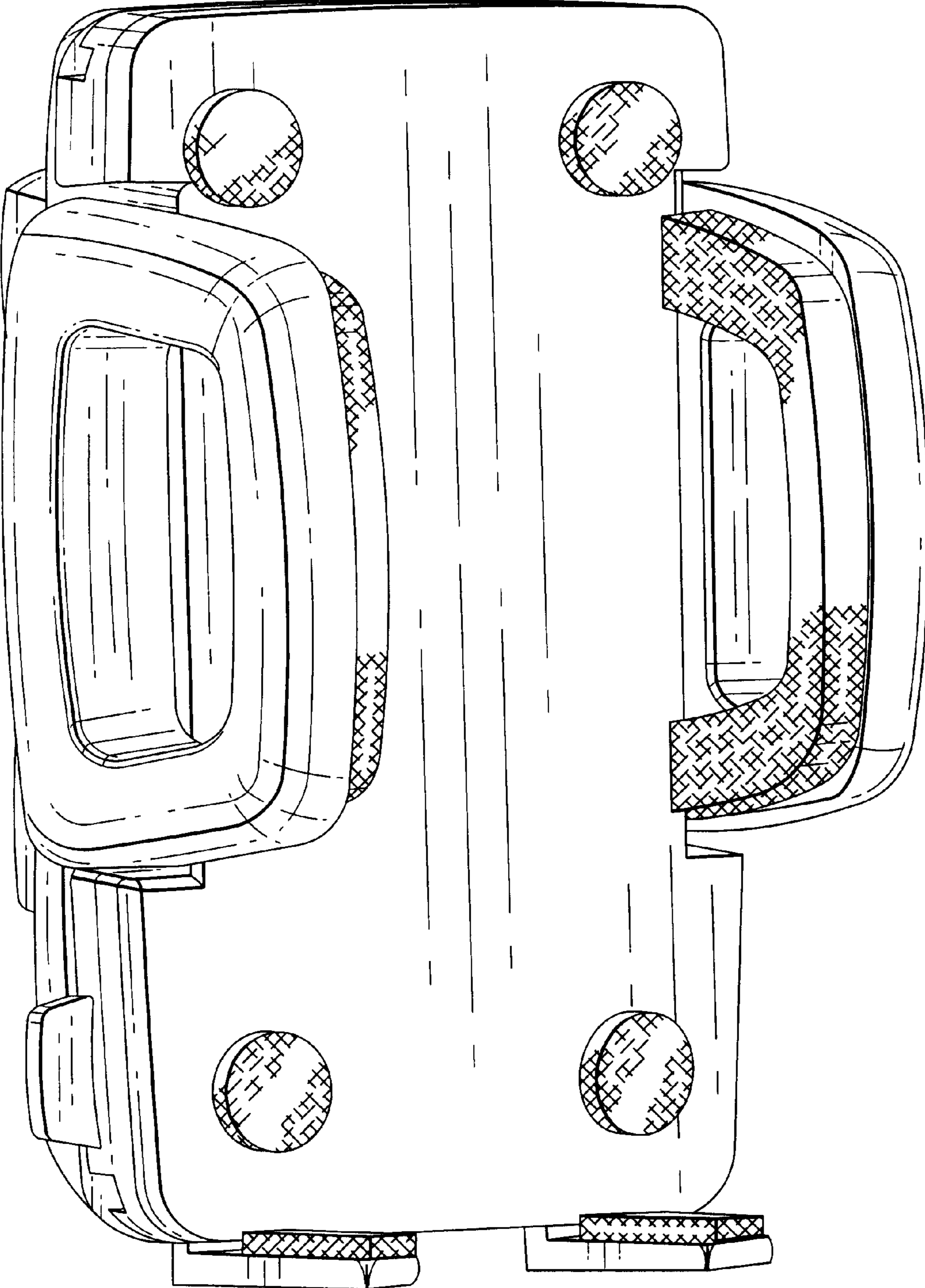


FIG. 1

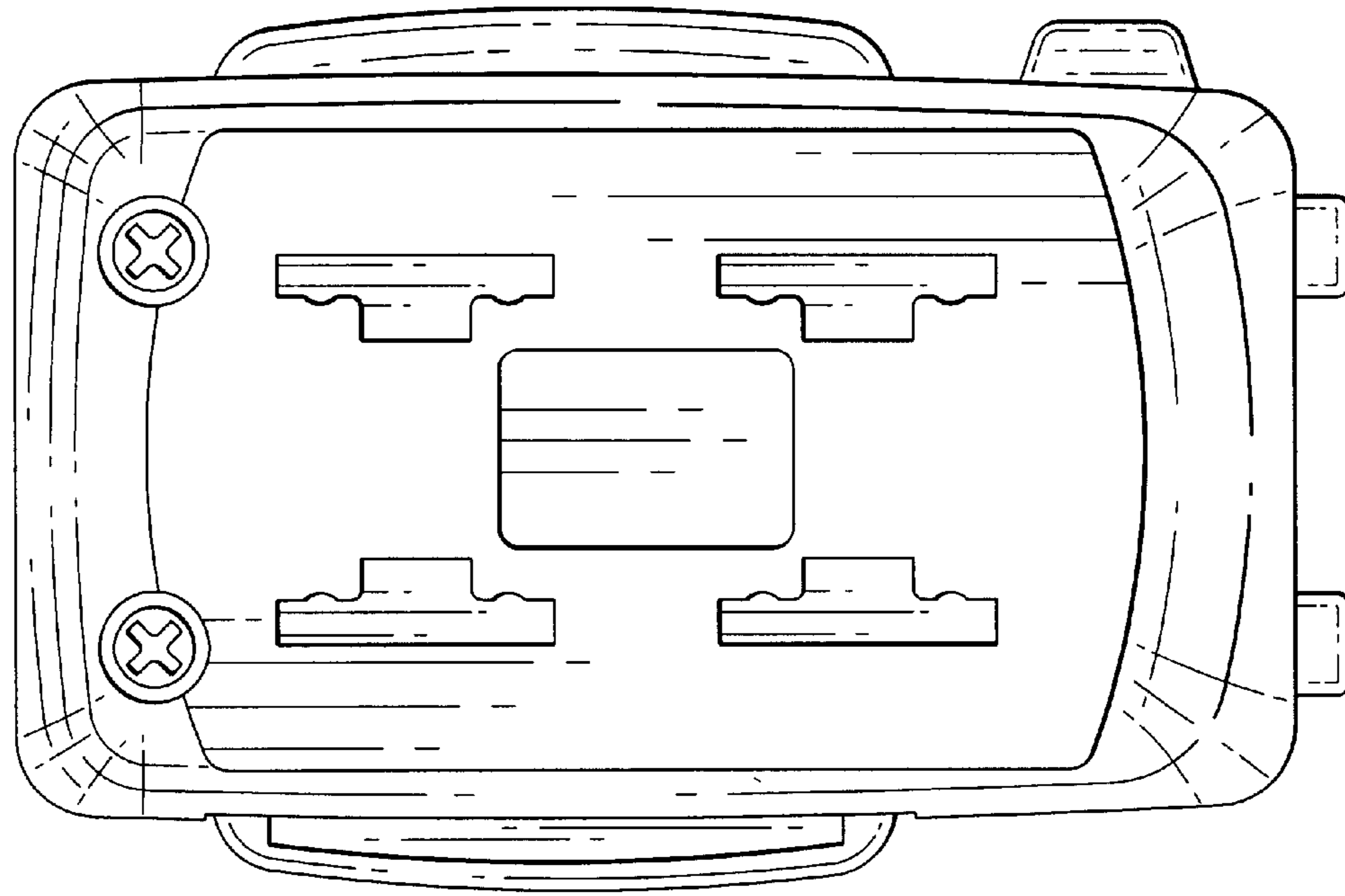


FIG. 3

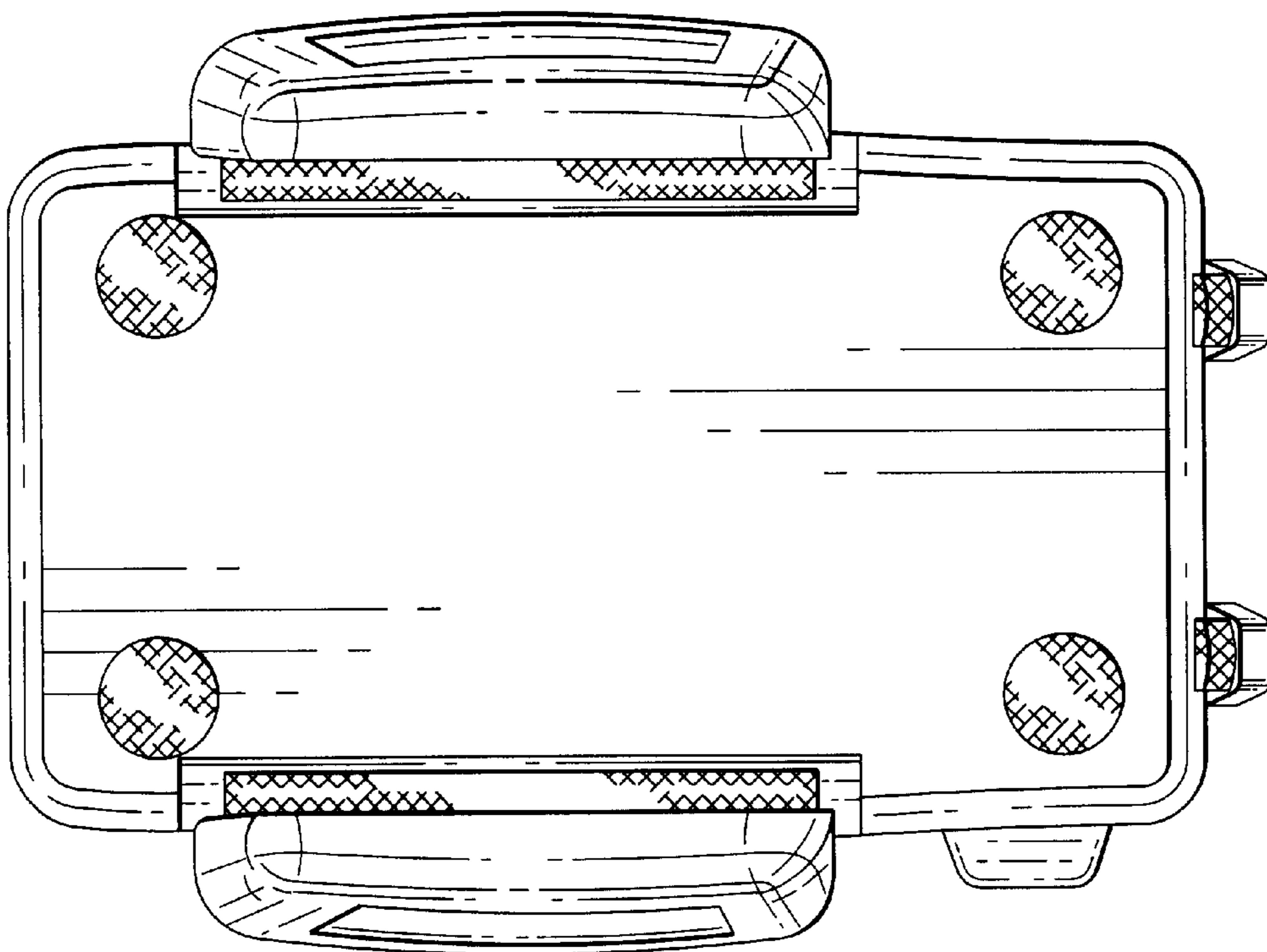


FIG. 2

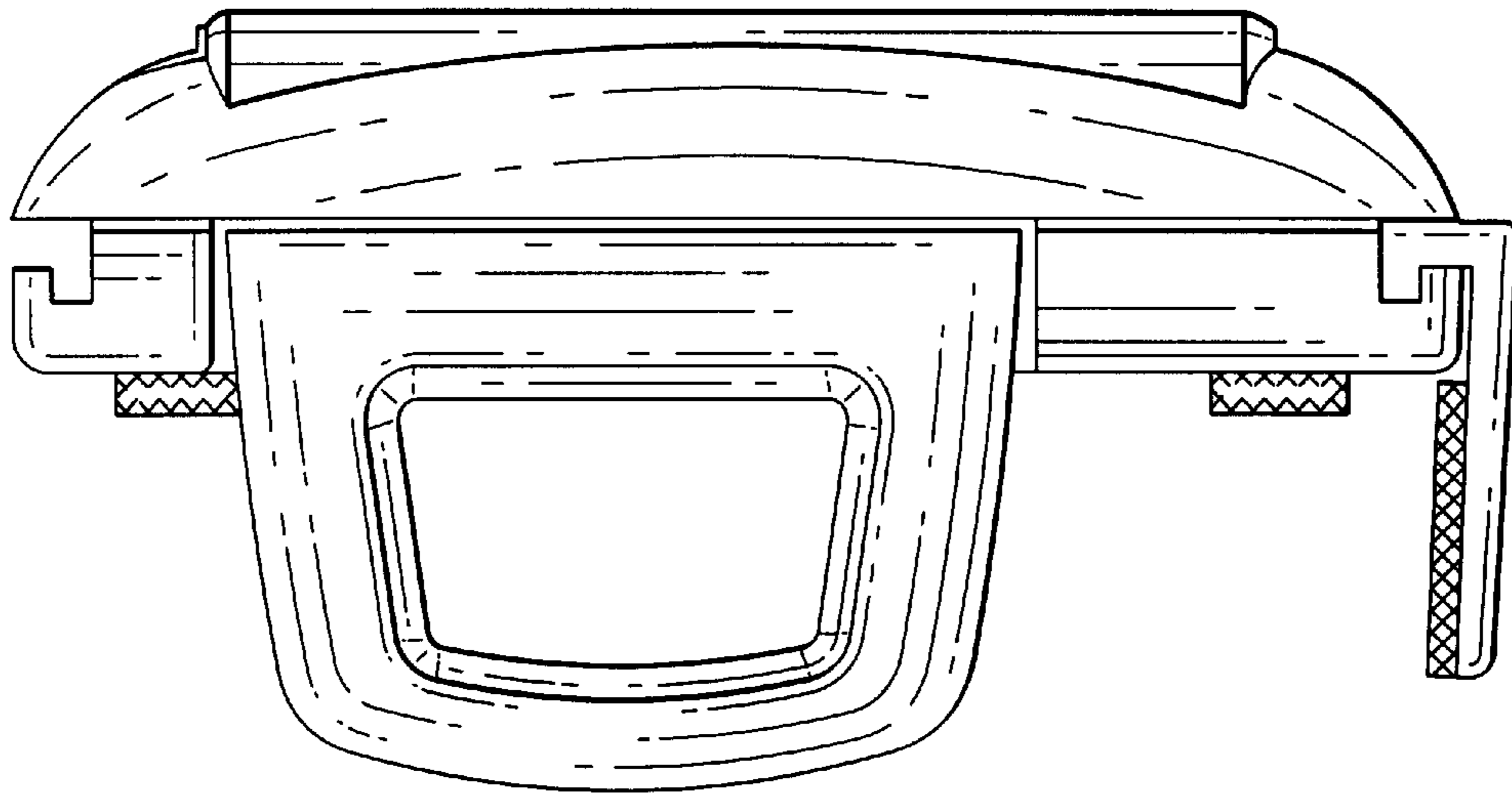


FIG. 5

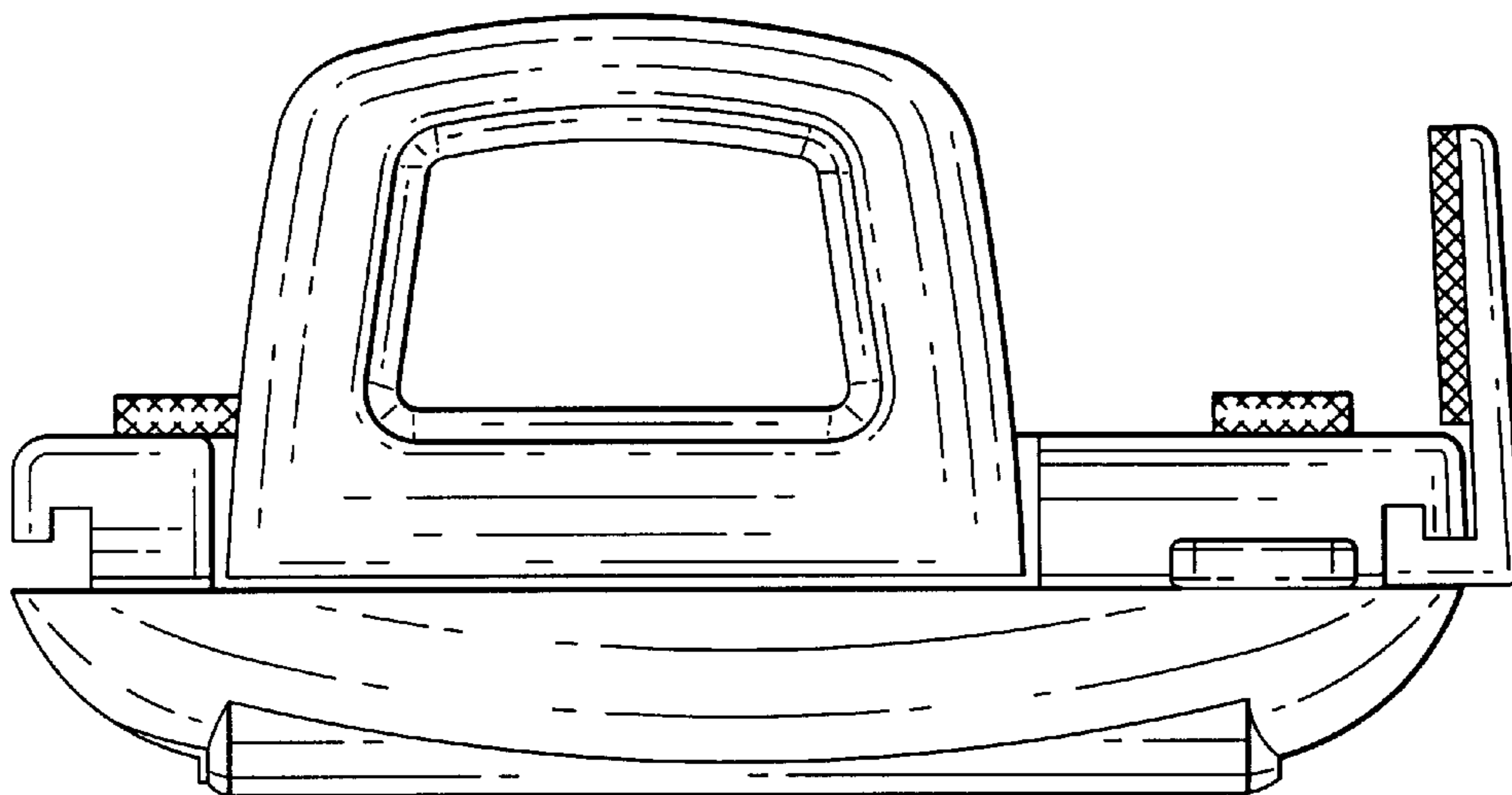


FIG. 4