

US00D530710S

(12) **United States Design Patent** (10) **Patent No.:** **US D530,710 S**
Kettula et al. (45) **Date of Patent:** **** Oct. 24, 2006**

(54) **HANDSFREE DEVICE FOR A HANDSET**

(75) Inventors: **Jan Kettula**, Espoo (FI); **Sami Lehtovaara**, Masku (FI)

(73) Assignee: **Nokia Corporation**, Espoo (FI)

(**) Term: **14 Years**

(21) Appl. No.: **29/236,897**

(22) Filed: **Aug. 24, 2005**

(30) **Foreign Application Priority Data**

Feb. 28, 2005 (FI) M20050032

(51) **LOC (8) Cl.** **14-03**

(52) **U.S. Cl.** **D14/240**

(58) **Field of Classification Search** D14/103,
D14/107, 108, 110, 118, 144, 205, 206, 240,
D14/223, 225, 248; D13/107, 108, 110, 144;
439/529, 568, 668; 455/569.1, 569.2; 307/10.1;
320/110-115

See application file for complete search history.

(56) **References Cited**

U.S. PATENT DOCUMENTS

5,170,067 A * 12/1992 Baum et al. 307/10.1
D341,123 S * 11/1993 Hakanen et al. D13/108
D369,811 S * 5/1996 Chen D14/248
D373,756 S * 9/1996 Chen D13/108
5,626,496 A * 5/1997 Hahn 439/668
5,839,919 A * 11/1998 Chen 439/529
D404,037 S * 1/1999 Gomez et al. D14/240
6,116,960 A * 9/2000 Lloyd et al. 439/668

D433,379 S 11/2000 Jokinen
D471,517 S * 3/2003 Nazar D13/110
6,551,142 B1 * 4/2003 Eisenbraun 439/668
6,767,256 B1 * 7/2004 Faerber et al. 439/668
6,951,480 B1 * 10/2005 Rivera 439/568

FOREIGN PATENT DOCUMENTS

WO DM/066120 1/2005

OTHER PUBLICATIONS

English translation of Japanese Office Action for Design Application No. 2005-024987, dated Feb. 7, 2006.

* cited by examiner

Primary Examiner—Paula A. Greene

(74) *Attorney, Agent, or Firm*—Banner & Witcoff, Ltd.

(57) **CLAIM**

The ornamental design for a handsfree device for a handset, as shown and described.

DESCRIPTION

FIG. 1 is a front view of a handsfree device for a handset showing our new design;

FIG. 2 is a rear view thereof;

FIG. 3 is a top plan view thereof;

FIG. 4 is a bottom plan view thereof;

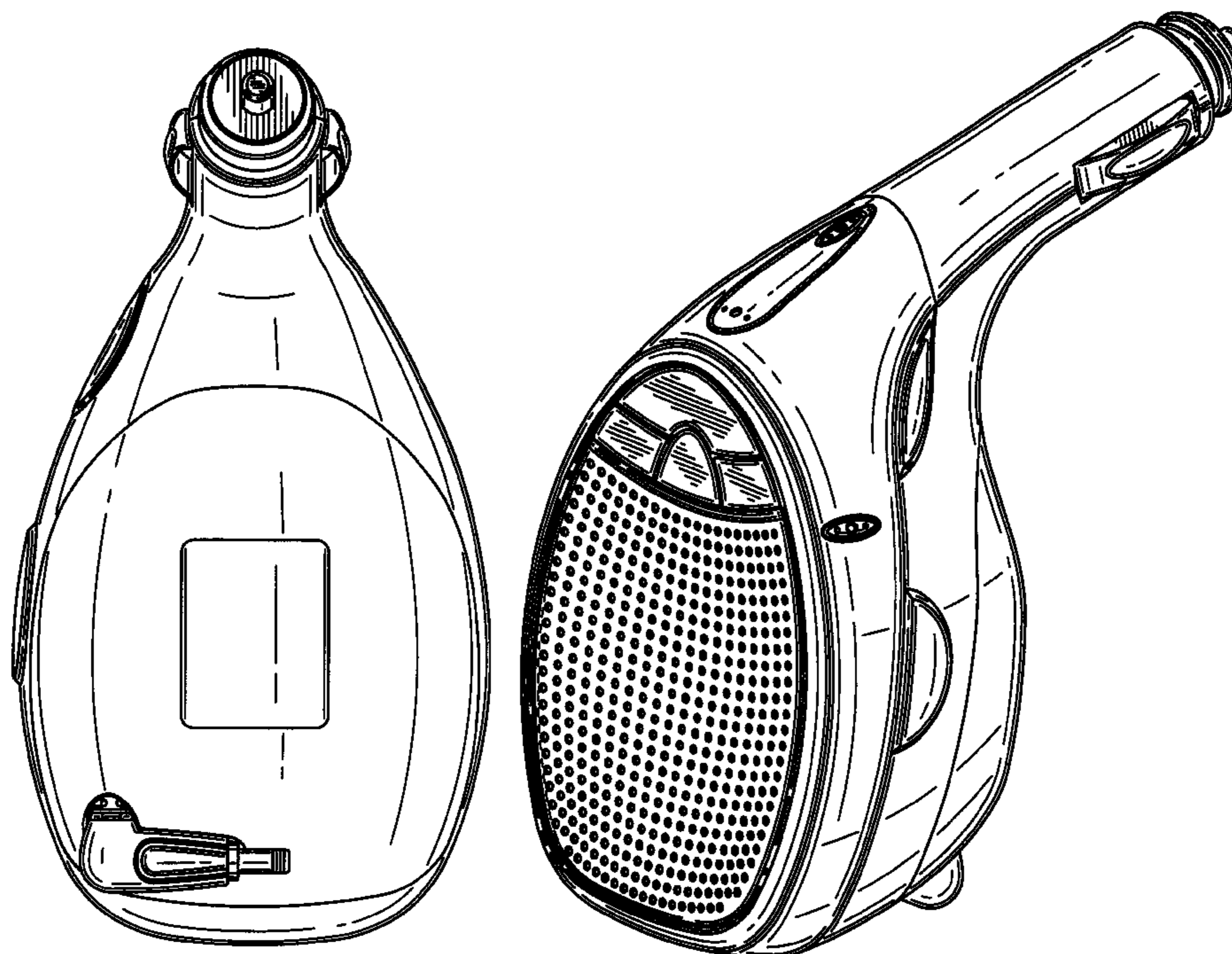
FIG. 5 is a right side view thereof;

FIG. 6 is a left side view thereof;

FIG. 7 is a perspective front view thereof; and,

FIG. 8 is a perspective rear view thereof.

1 Claim, 6 Drawing Sheets



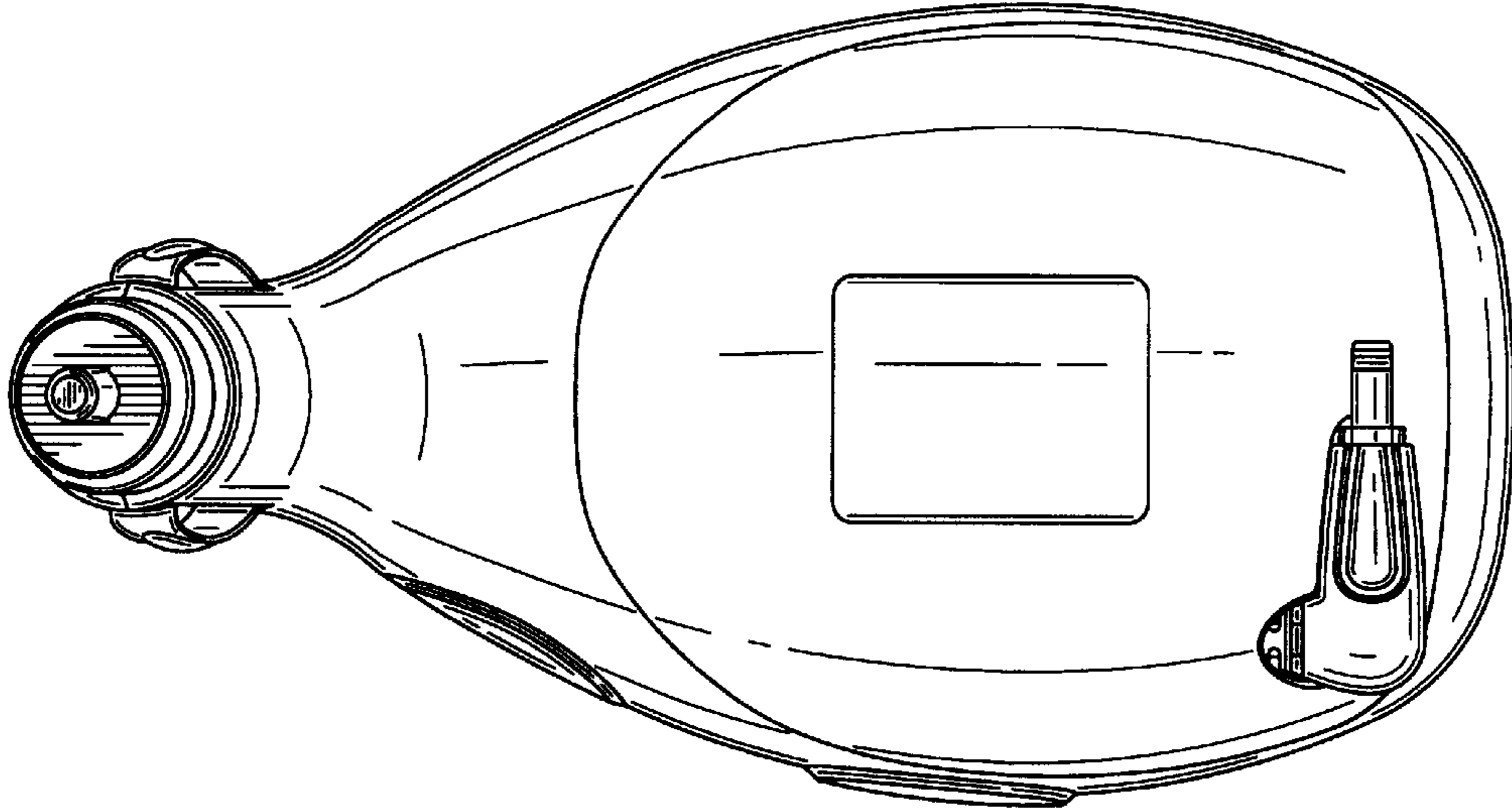


FIG. 2

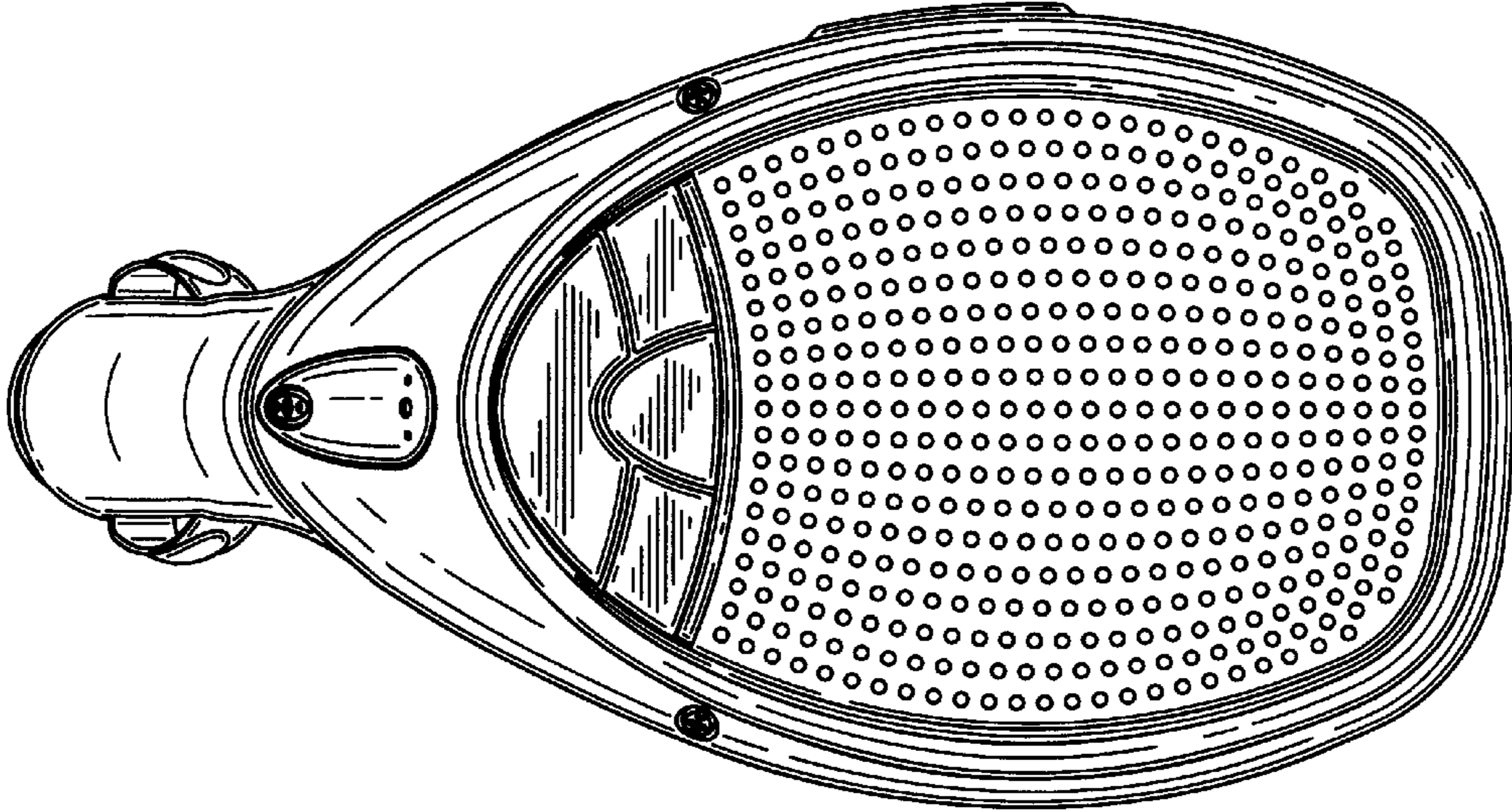


FIG. 1

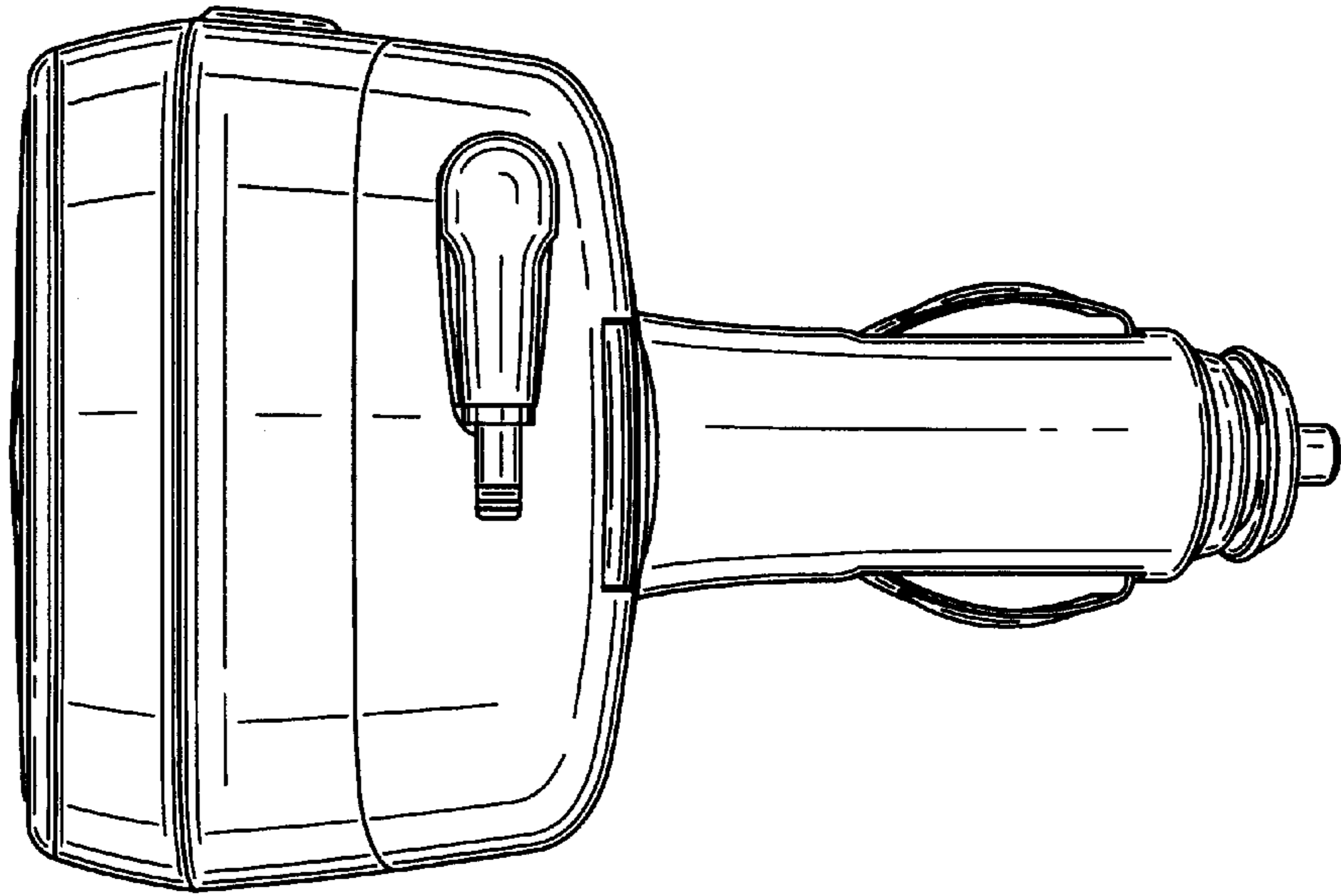


FIG. 4

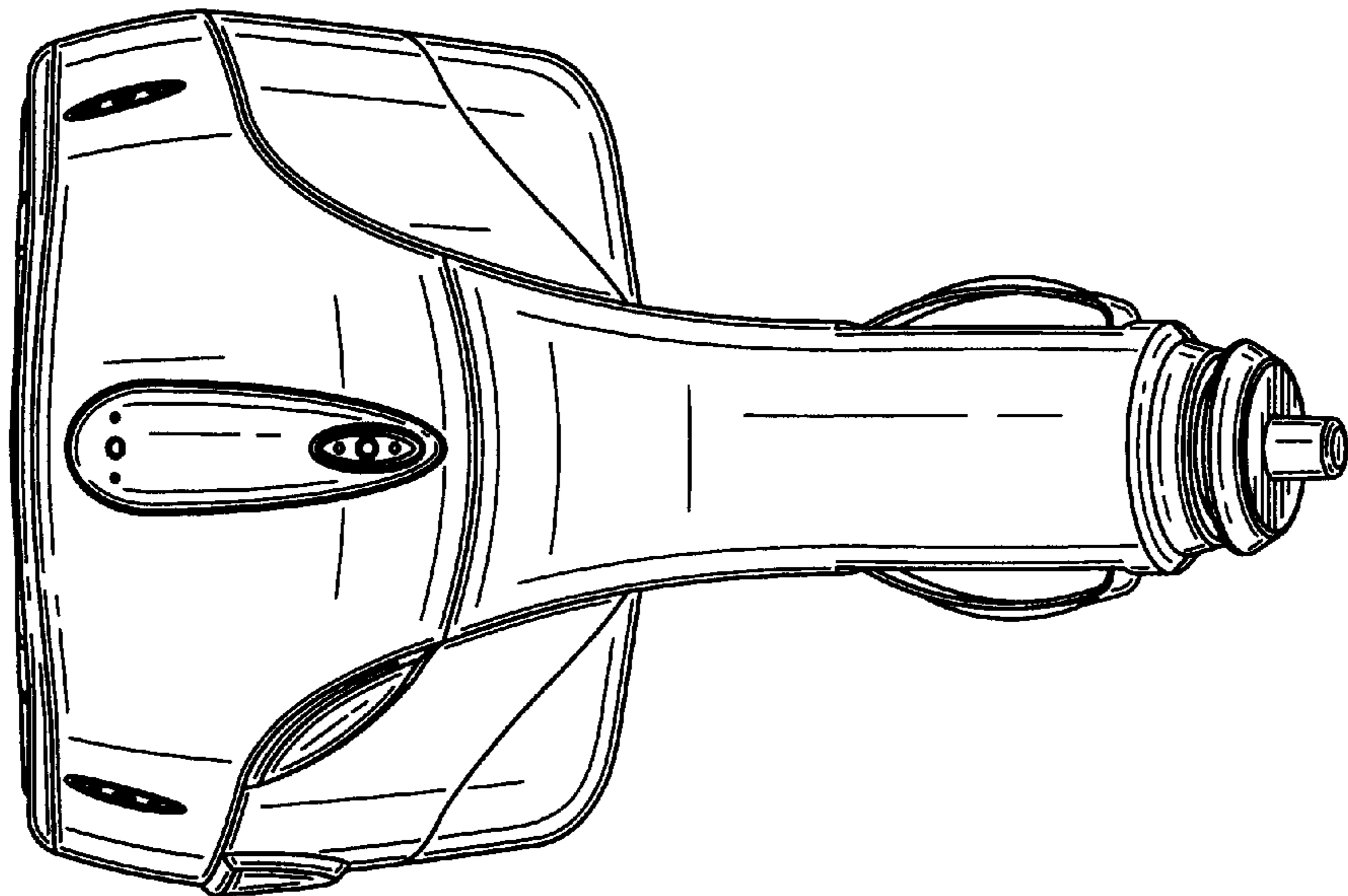


FIG. 3

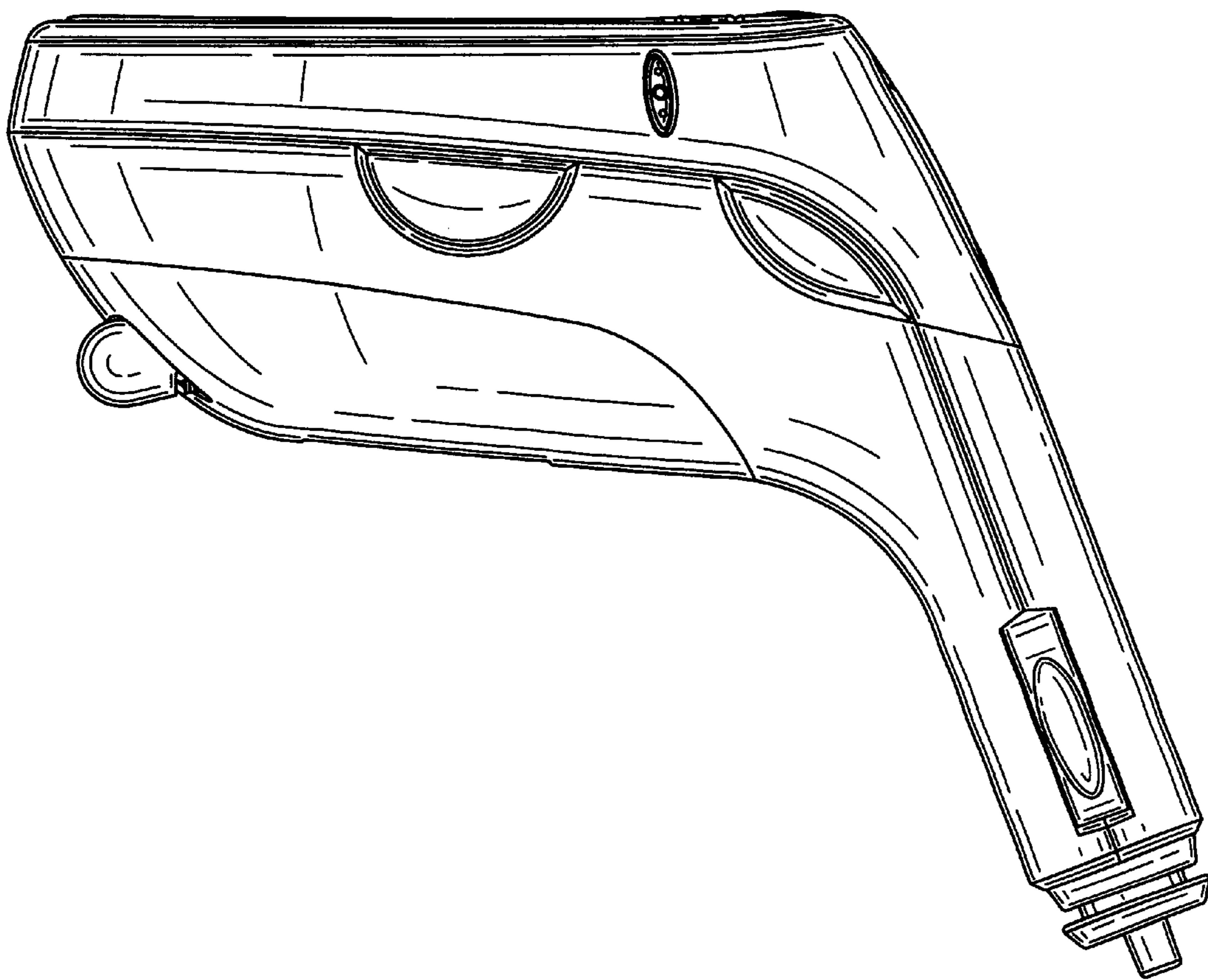


FIG. 5

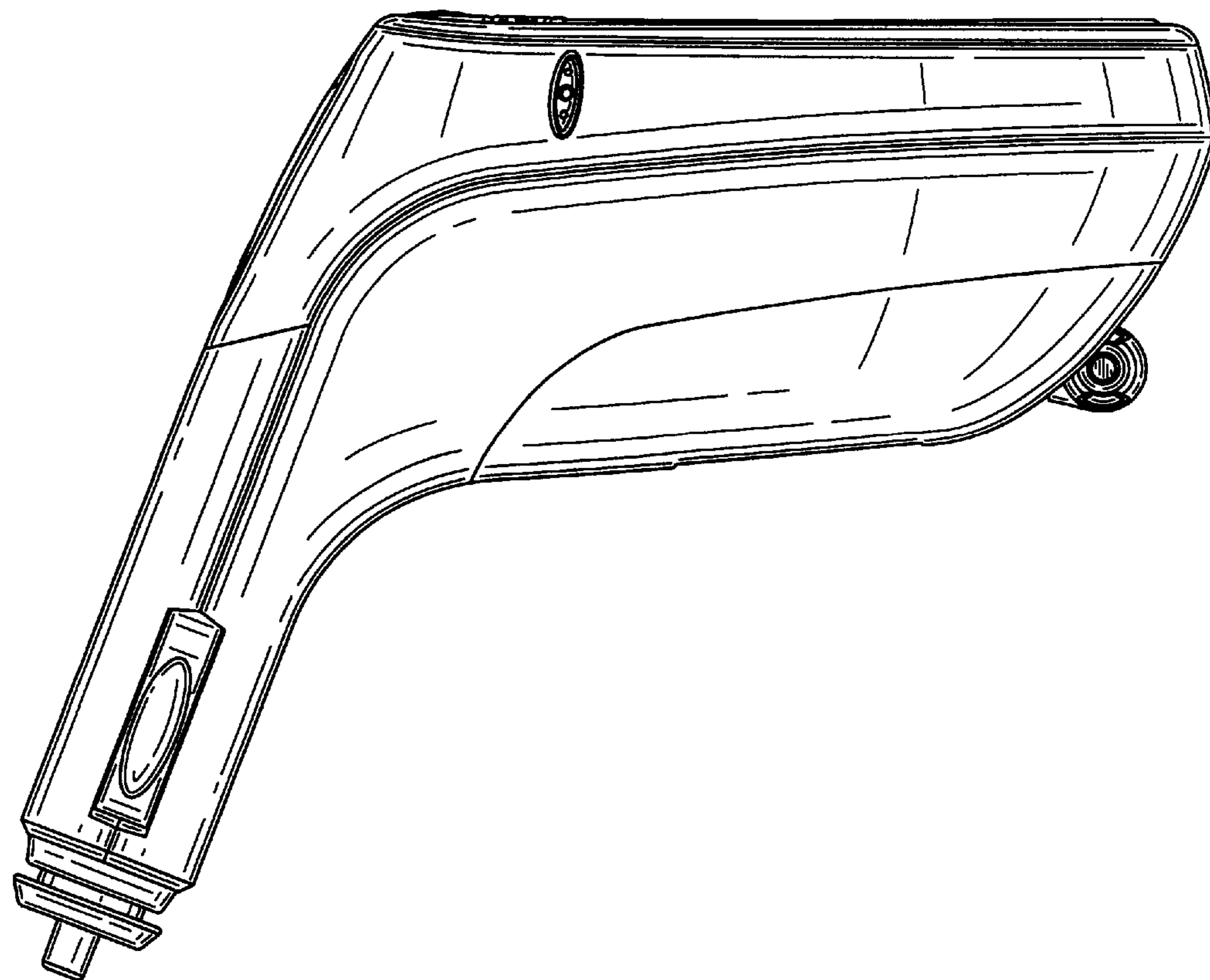


FIG. 6

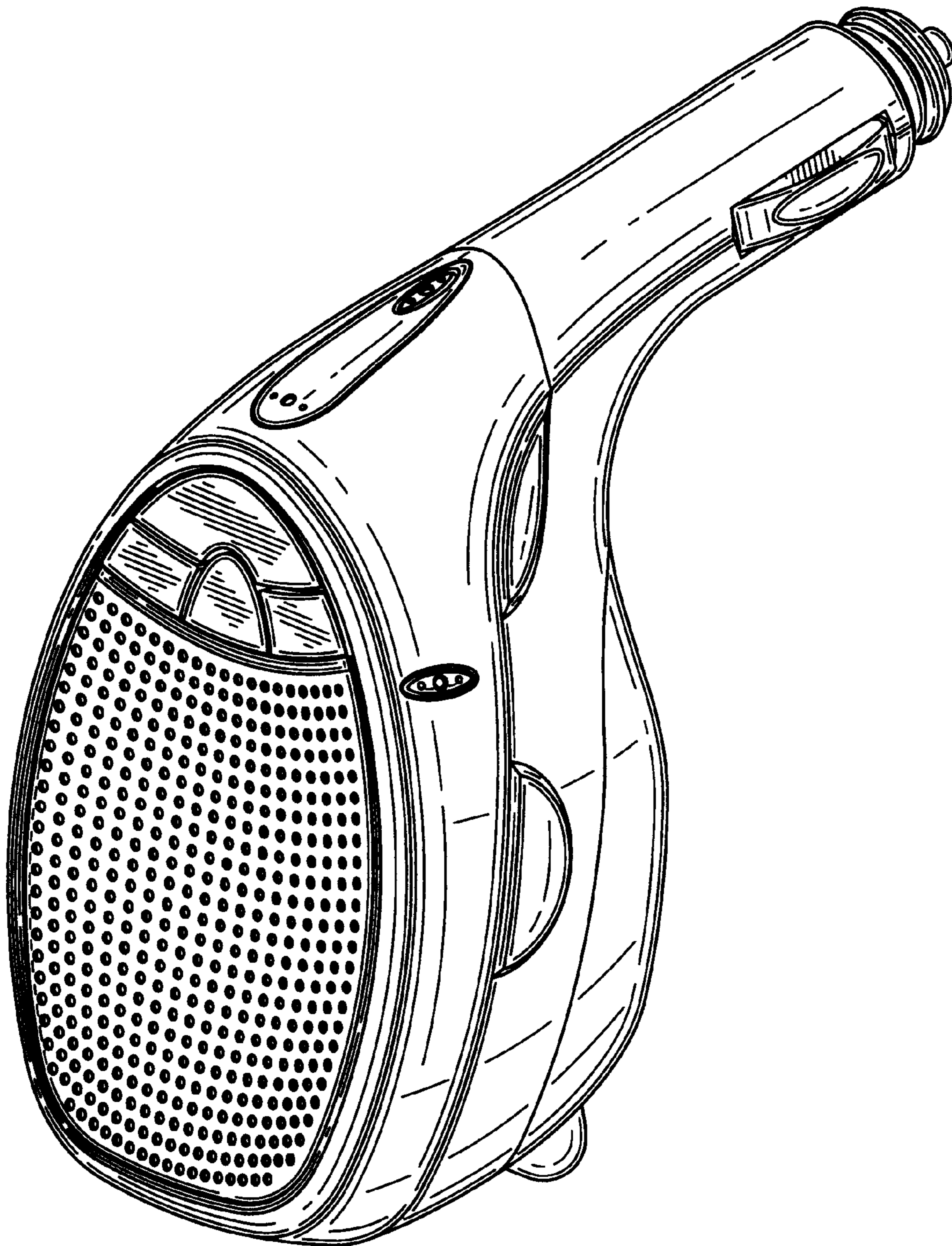


FIG. 7

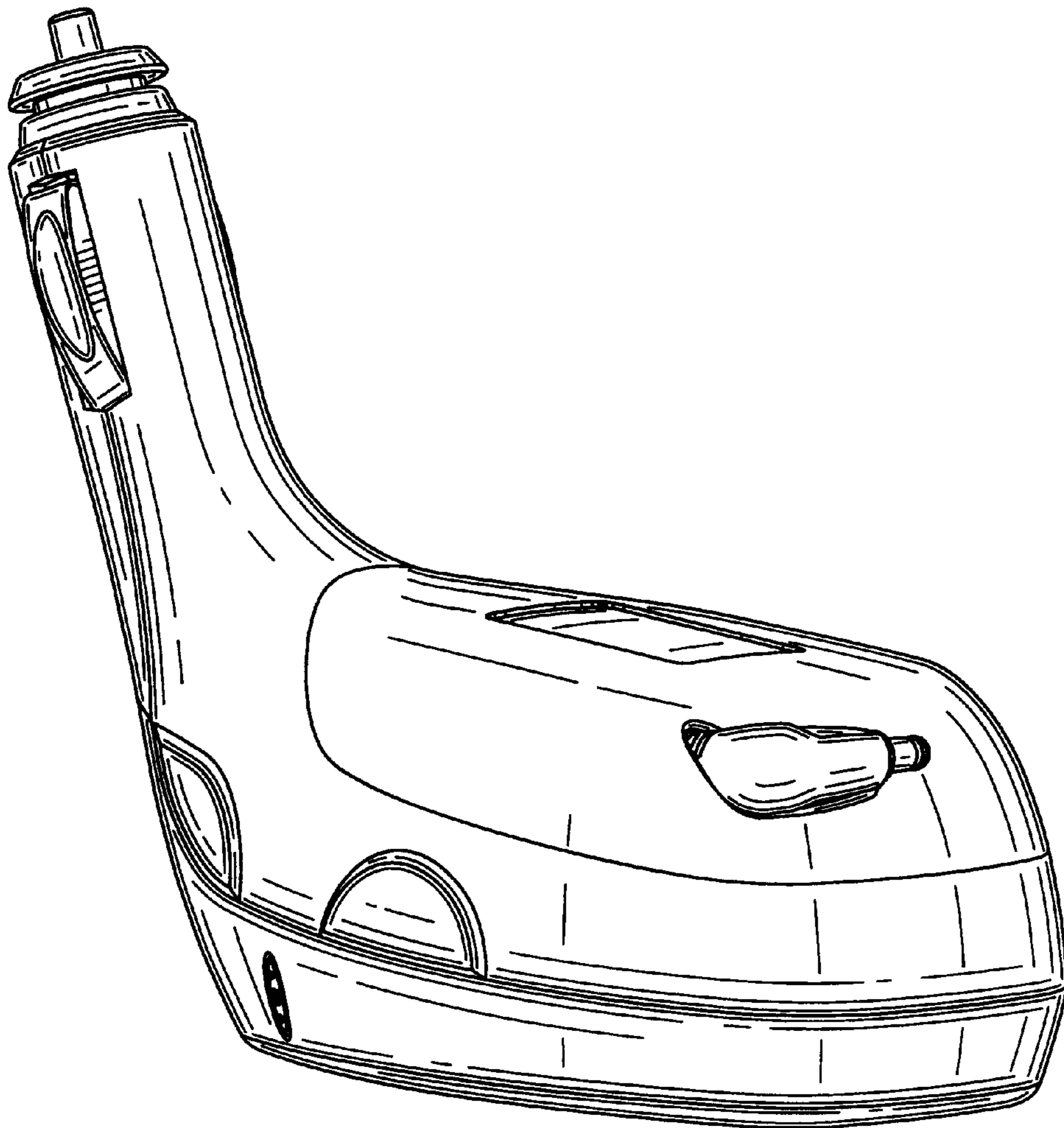


FIG. 8