

US00D530709S

(12) **United States Design Patent**  
**Bang et al.**

(10) **Patent No.:** **US D530,709 S**

(45) **Date of Patent:** **\*\* Oct. 24, 2006**

(54) **TRANSCEIVER OF WIRELESS COMMUNICATION SYSTEM**

(75) Inventors: **Sung-II Bang**, Seoul (KR); **Sang-Sung Woo**, Gwangmyeong-si (KR); **Bum-Ho Chun**, Seoul (KR); **Yun-Jin Park**, Seoul (KR)

(73) Assignee: **Samsung Electronics Co., Ltd.**, Suwon-si (KR)

(\*\*) Term: **14 Years**

(21) Appl. No.: **29/232,790**

(22) Filed: **Jun. 24, 2005**

(30) **Foreign Application Priority Data**

Dec. 24, 2004 (KR) ..... 30-2004-0039876

(51) **LOC (8) Cl.** ..... **14-03**

(52) **U.S. Cl.** ..... **D14/240; D14/358**

(58) **Field of Classification Search** ..... D14/240, D14/242, 246, 192, 223, 140.1, 140.4, 356, D14/358; D13/184, 123; 181/129-130; 379/430, 379/431, 433.01, 420.03, 957, 52, 106.1, 379/333-337, 387.01, 399.01, 413.02, 413.04; 455/569.1, 510, 524; 439/717  
See application file for complete search history.

(56) **References Cited**

**U.S. PATENT DOCUMENTS**

D269,345 S \* 6/1983 Payne et al. .... D14/242

D309,731 S \* 8/1990 Takai ..... D14/242  
D330,888 S \* 11/1992 Worley ..... D13/184  
D383,458 S \* 9/1997 Biasotti et al. .... D14/149  
D395,048 S \* 6/1998 Kobayashi ..... D14/240  
5,864,467 A \* 1/1999 Recchia et al. .... 439/717  
D408,812 S \* 4/1999 Danis ..... D14/240  
D429,238 S \* 8/2000 Kolinen ..... D14/240  
D464,339 S \* 10/2002 Tomino et al. .... D14/240  
D471,541 S \* 3/2003 Tomino et al. .... D14/240  
D485,550 S \* 1/2004 Deguchi et al. .... D14/240  
D485,551 S \* 1/2004 Mikkola et al. .... D14/240  
D488,150 S \* 4/2004 Chen et al. .... D14/242

\* cited by examiner

*Primary Examiner*—Charles A. Rademaker

(74) *Attorney, Agent, or Firm*—Staas & Halsey LLP

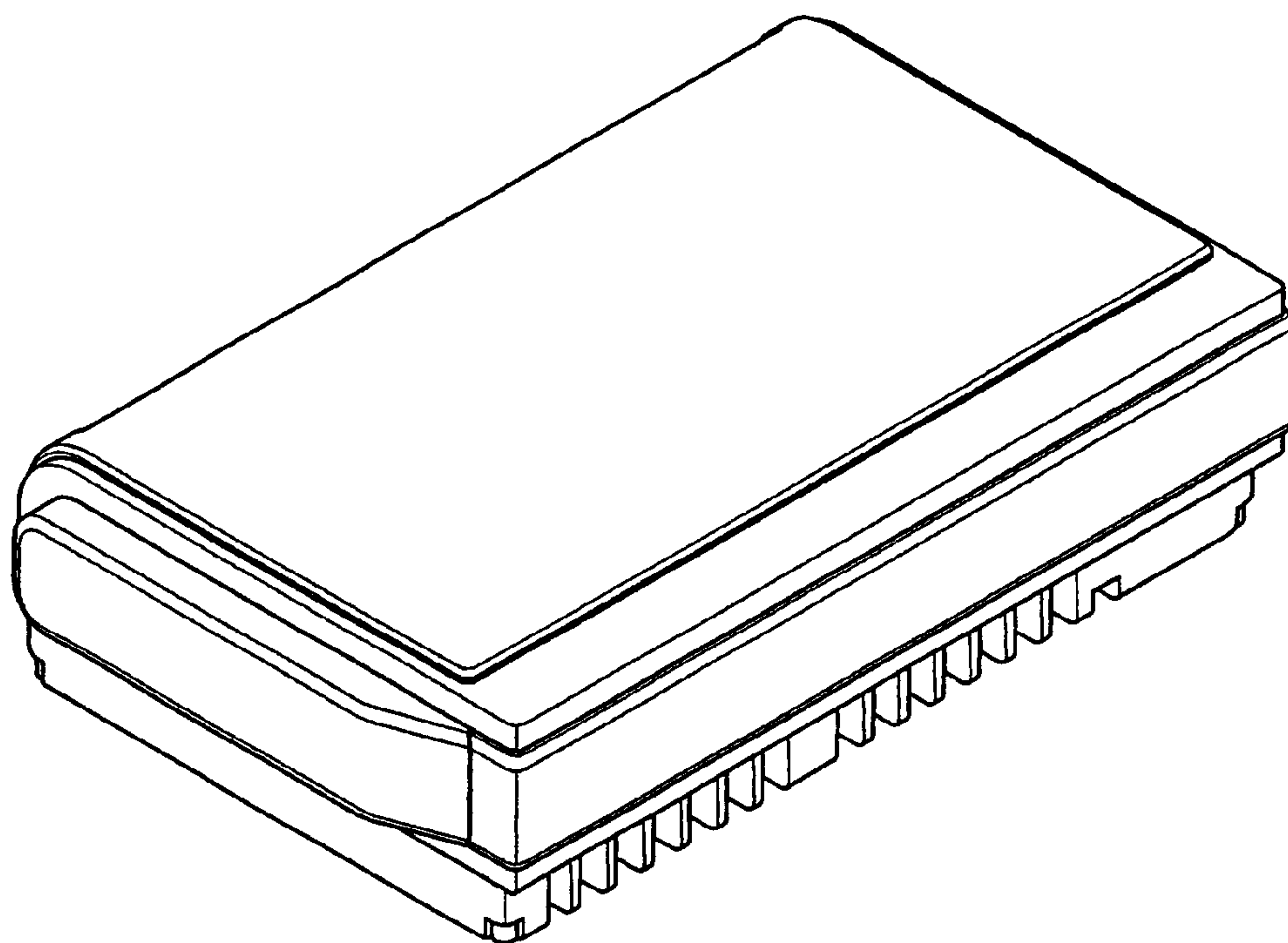
(57) **CLAIM**

The ornamental design for a transceiver of wireless communication system, as shown and described.

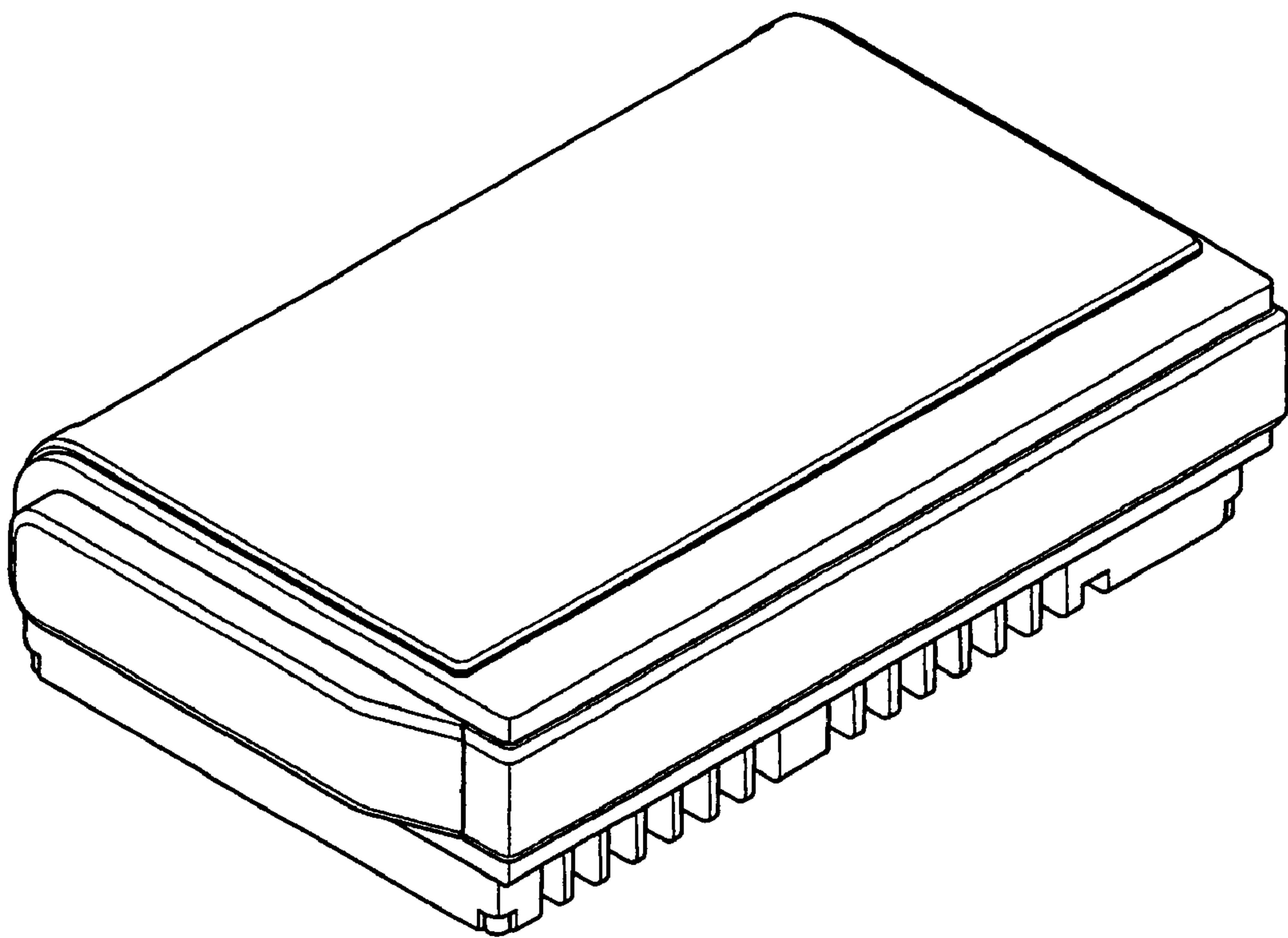
**DESCRIPTION**

FIG. 1 is a perspective view of a transceiver of wireless communication system showing our new design;  
FIG. 2 is a front view thereof;  
FIG. 3 is a rear view thereof;  
FIG. 4 is a left side view thereof;  
FIG. 5 is a right side view thereof;  
FIG. 6 is a top plan view thereof; and,  
FIG. 7 is a bottom plan view thereof.

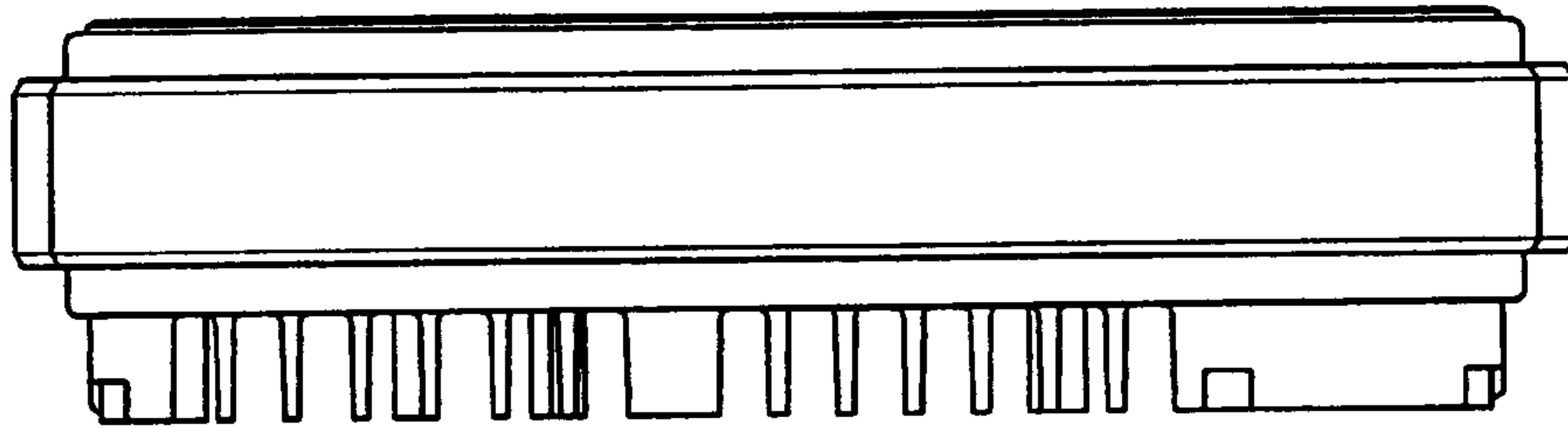
**1 Claim, 4 Drawing Sheets**



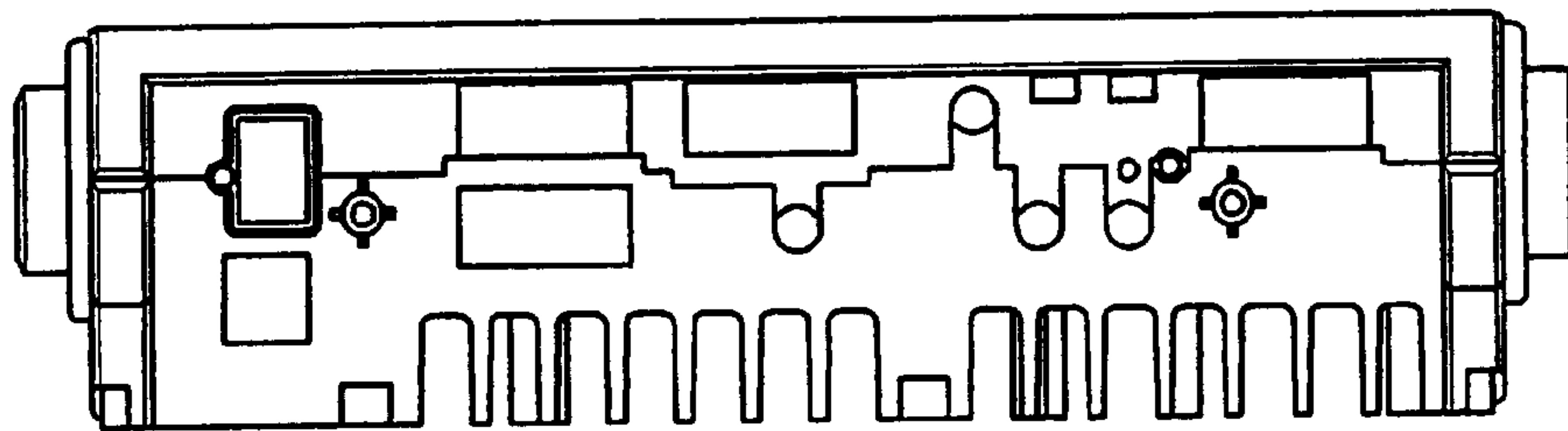
**FIG. 1**



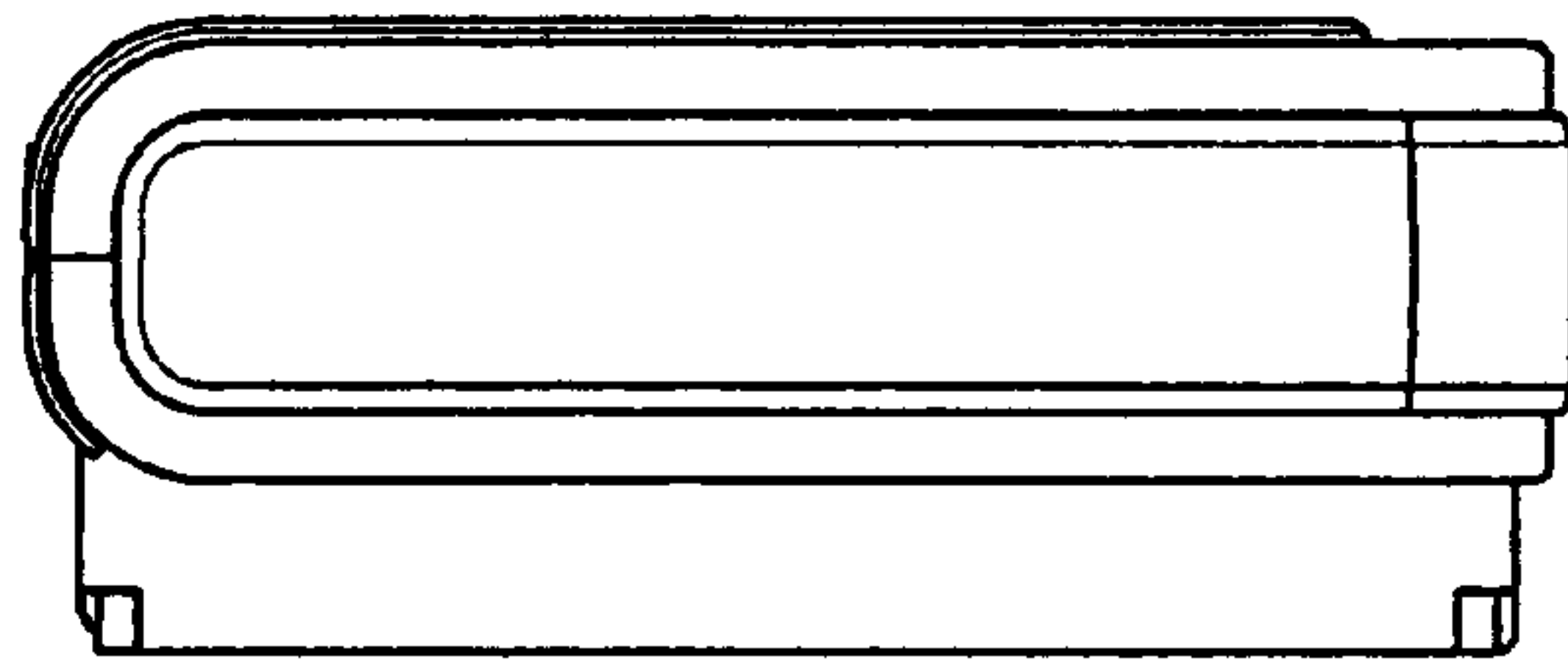
**FIG. 2**



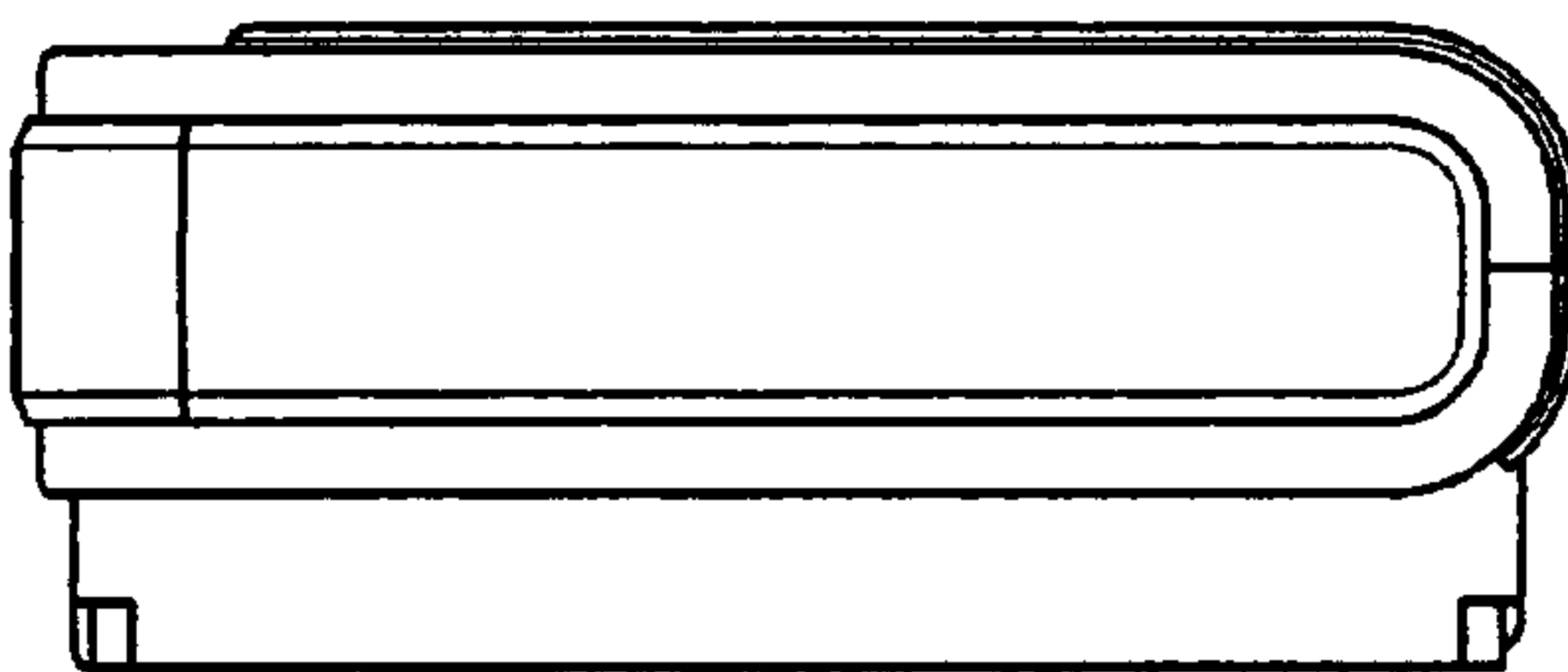
**FIG. 3**



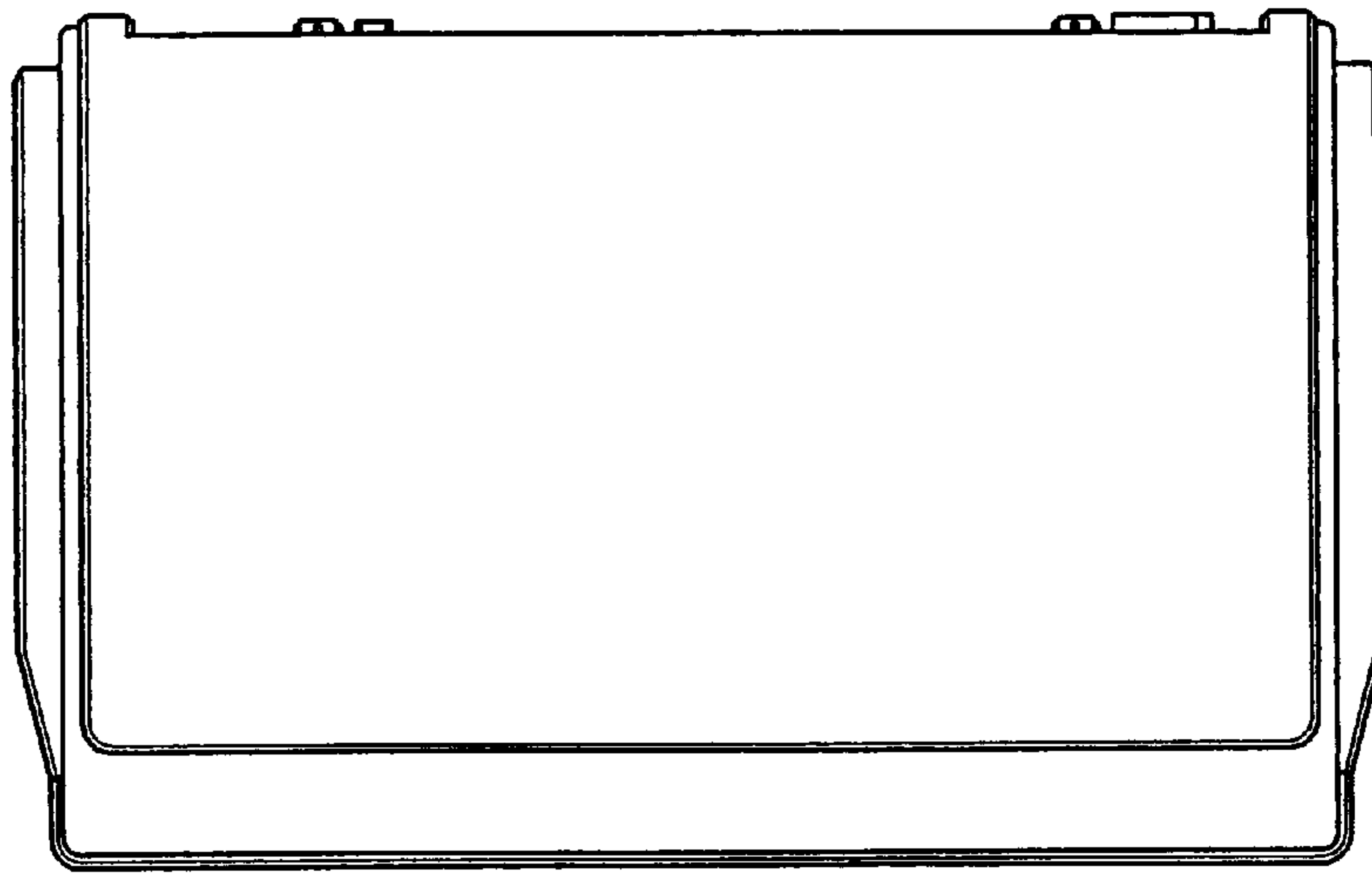
**FIG. 4**



**FIG. 5**



**FIG. 6**



**FIG. 7**

