



US00D530708S

(12) **United States Design Patent**
Maruyama

(10) **Patent No.:** **US D530,708 S**

(45) **Date of Patent:** **** Oct. 24, 2006**

(54) **RADIO-FREQUENCY MODULE FOR A COMMUNICATION DEVICE**

(75) **Inventor:** **Hideyuki Maruyama**, Nakamuroda Haruna-Machi (JP)

(73) **Assignee:** **Taiyo Yuden Co., Ltd.**, Tokyo (JP)

(**) **Term:** **14 Years**

(21) **Appl. No.:** **29/230,575**

(22) **Filed:** **May 24, 2005**

(30) **Foreign Application Priority Data**

Nov. 26, 2004 (JP) 2004-039396

(51) **LOC (8) Cl.** **14-03**

(52) **U.S. Cl.** **D14/240**

(58) **Field of Classification Search** 379/387.01, 379/399.01, 413.02, 413.04, 430, 431, 433.01, 379/420.03, 957, 52, 106.1, 333-337; D13/123, D13/184; D14/356, 358, 240, 242, 246, 192, D14/223, 140.1, 140.4; D26/139, 135, 120; 181/129-130; 455/569.1, 510, 524; 439/717
See application file for complete search history.

(56) **References Cited**

U.S. PATENT DOCUMENTS

D289,287 S * 4/1987 Aldrich et al. D14/240

D291,195 S * 8/1987 Shea D14/338
D359,732 S * 6/1995 Nim-PunLam et al. D14/242
D371,312 S * 7/1996 Suzuki D14/240
D380,475 S * 7/1997 Rasmussen D14/240
D400,512 S * 11/1998 Korhonen D13/184
D407,350 S * 3/1999 Crain D12/92
D407,393 S * 3/1999 Kazama D14/240
D471,542 S * 3/2003 Sim D14/240
D485,551 S * 1/2004 Mikkola et al. D14/240
D512,050 S * 11/2005 Verding D14/240

* cited by examiner

Primary Examiner—Charles A. Rademaker

(74) *Attorney, Agent, or Firm*—Knobbe Martens Olson & Bear LLP

(57) **CLAIM**

The ornamental design for an radio-frequency module for a communication device, as shown and described.

DESCRIPTION

FIG. 1 is a front elevation of a radio-frequency for a communication device showing my new design;
FIG. 2 is a rear elevation thereof;
FIG. 3 is a right side elevation thereof the side opposite being a mirror image;
FIG. 4 is a top plan view thereof;
FIG. 5 is a bottom plan view thereof; and,
FIG. 6 is a bottom perspective view thereof.

1 Claim, 2 Drawing Sheets

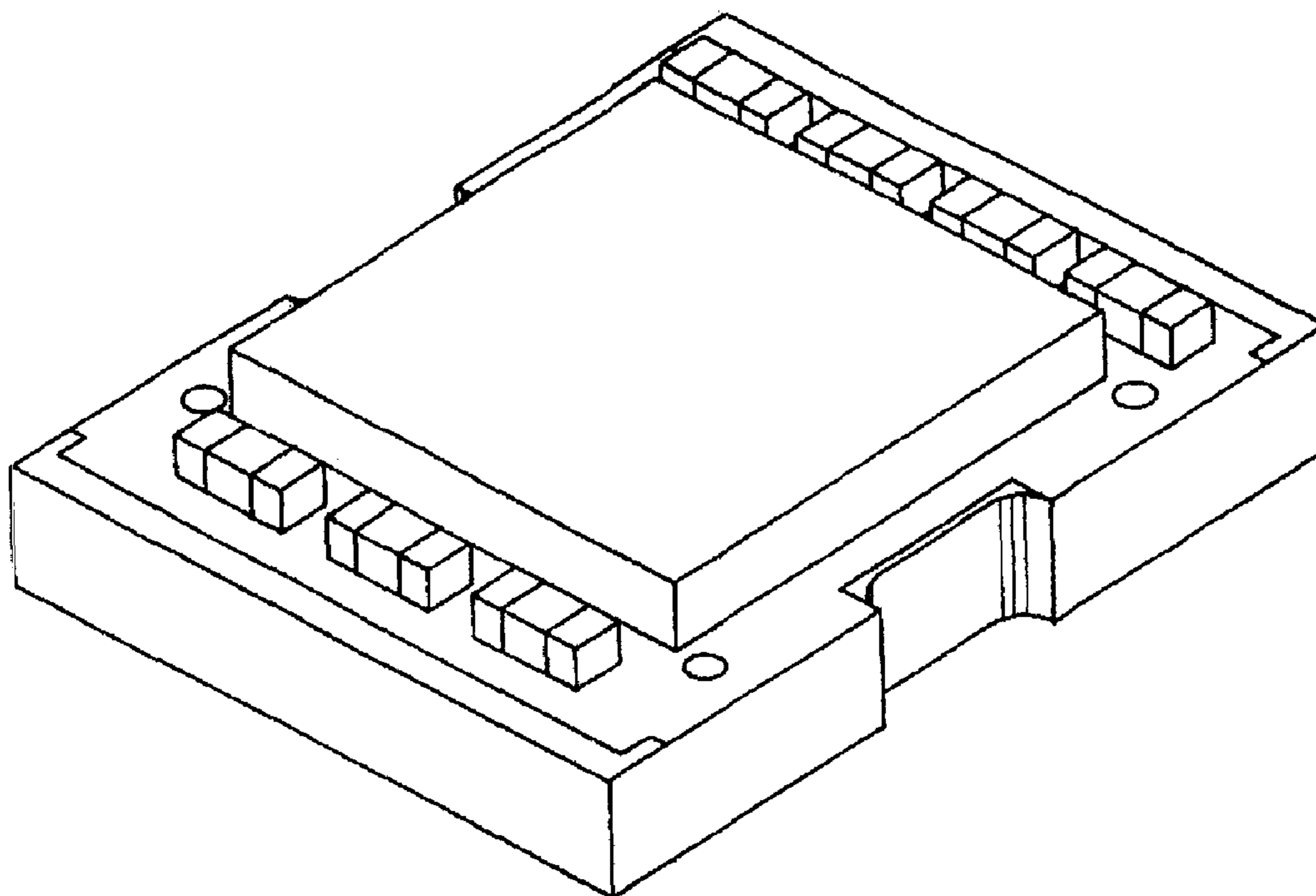


Fig. 1

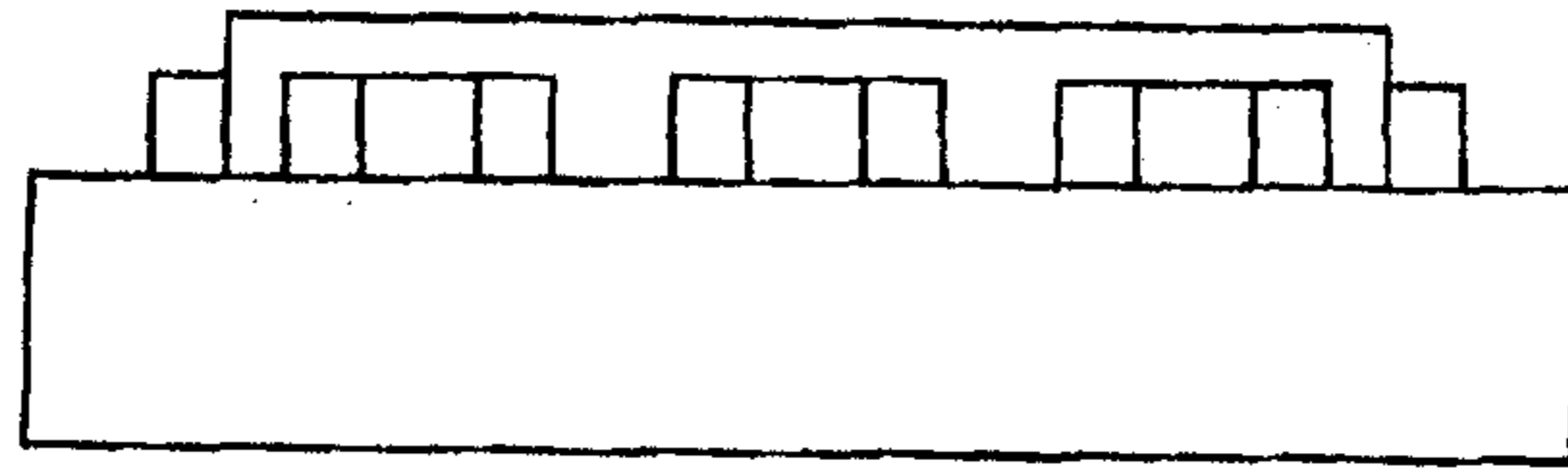


Fig. 2

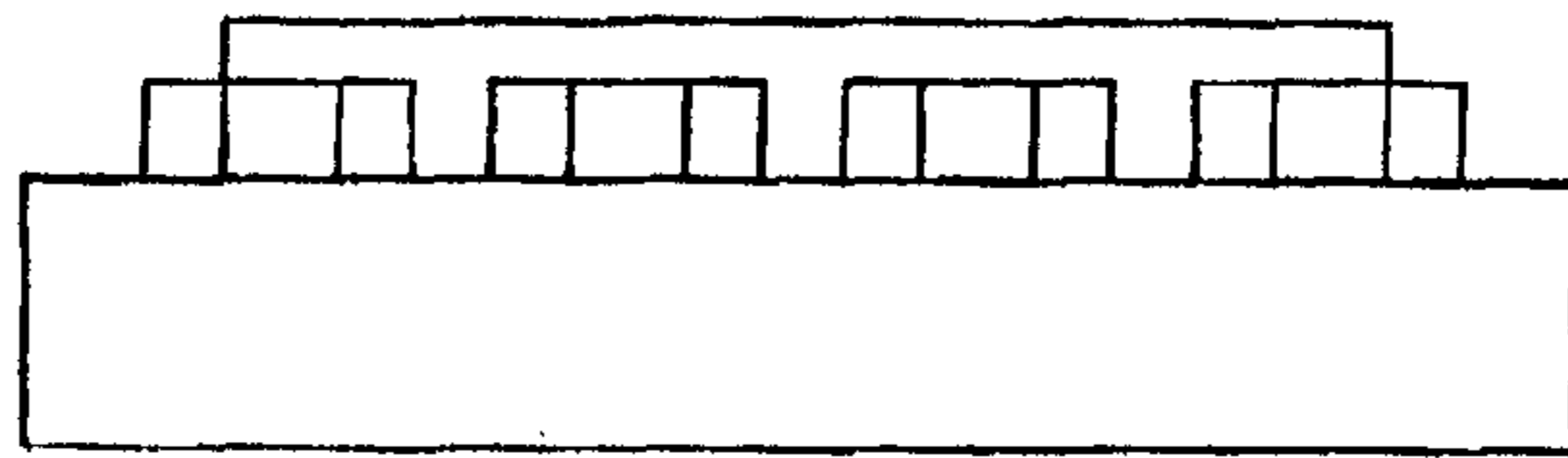


Fig. 3

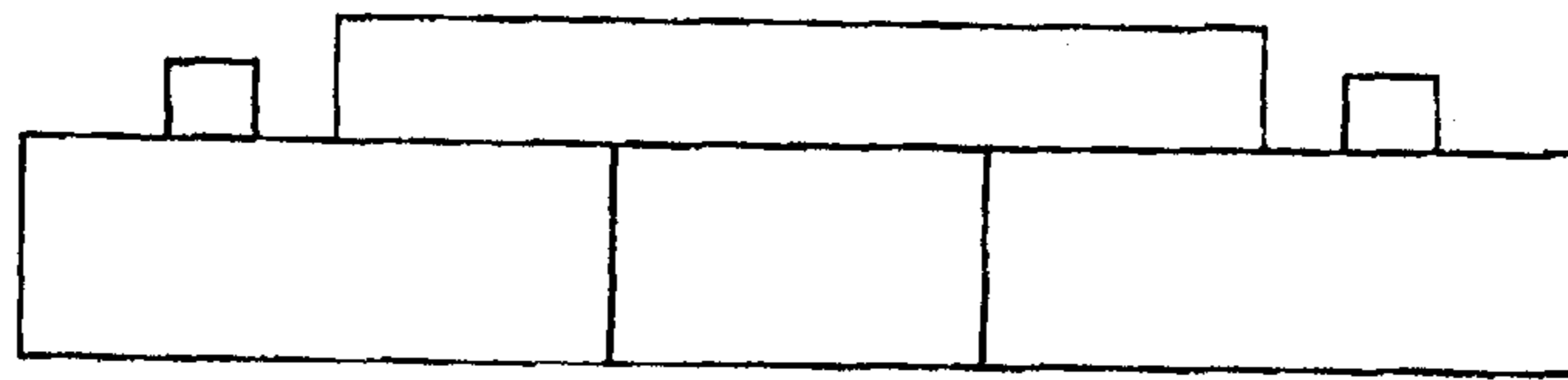


Fig. 4

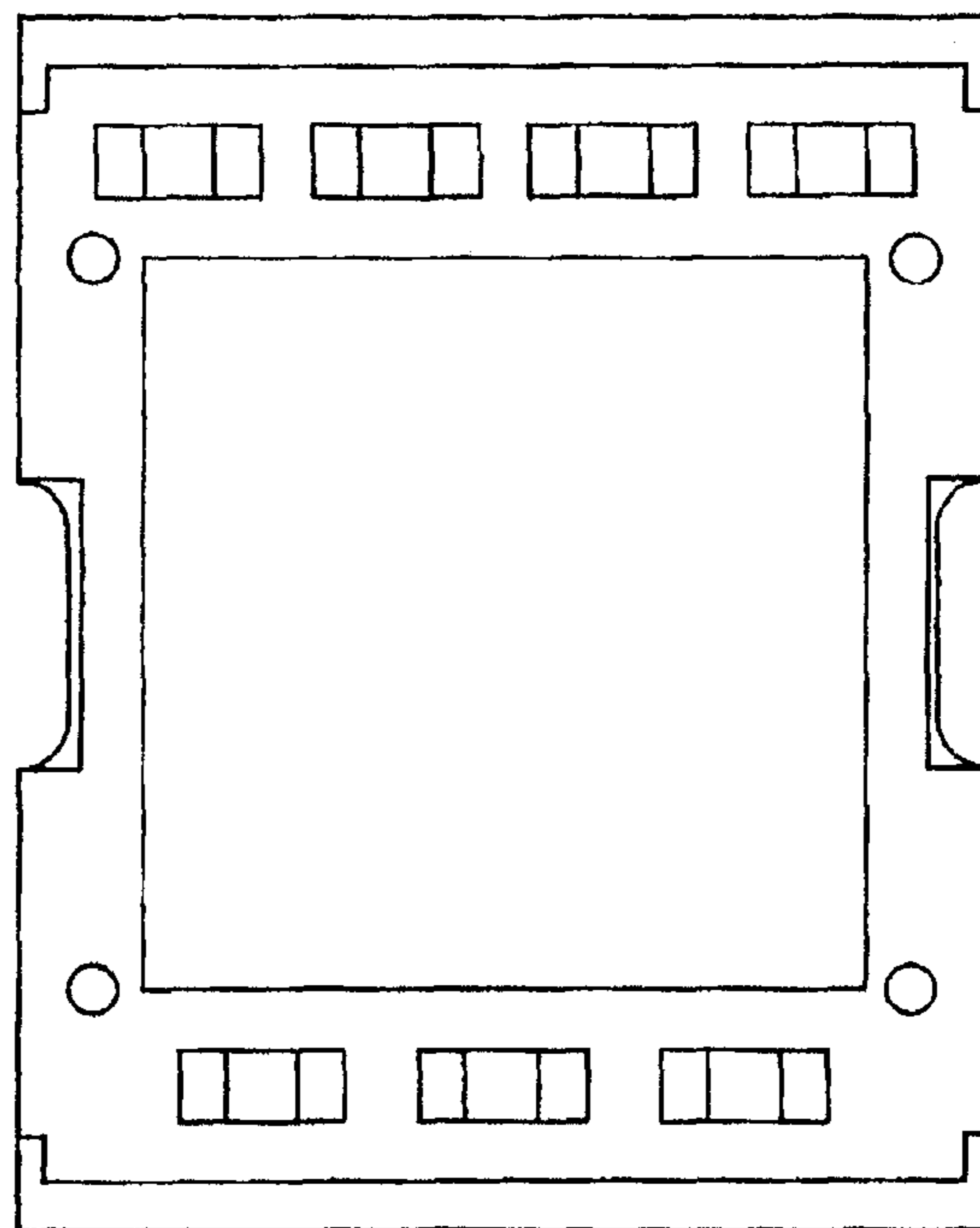


Fig. 5

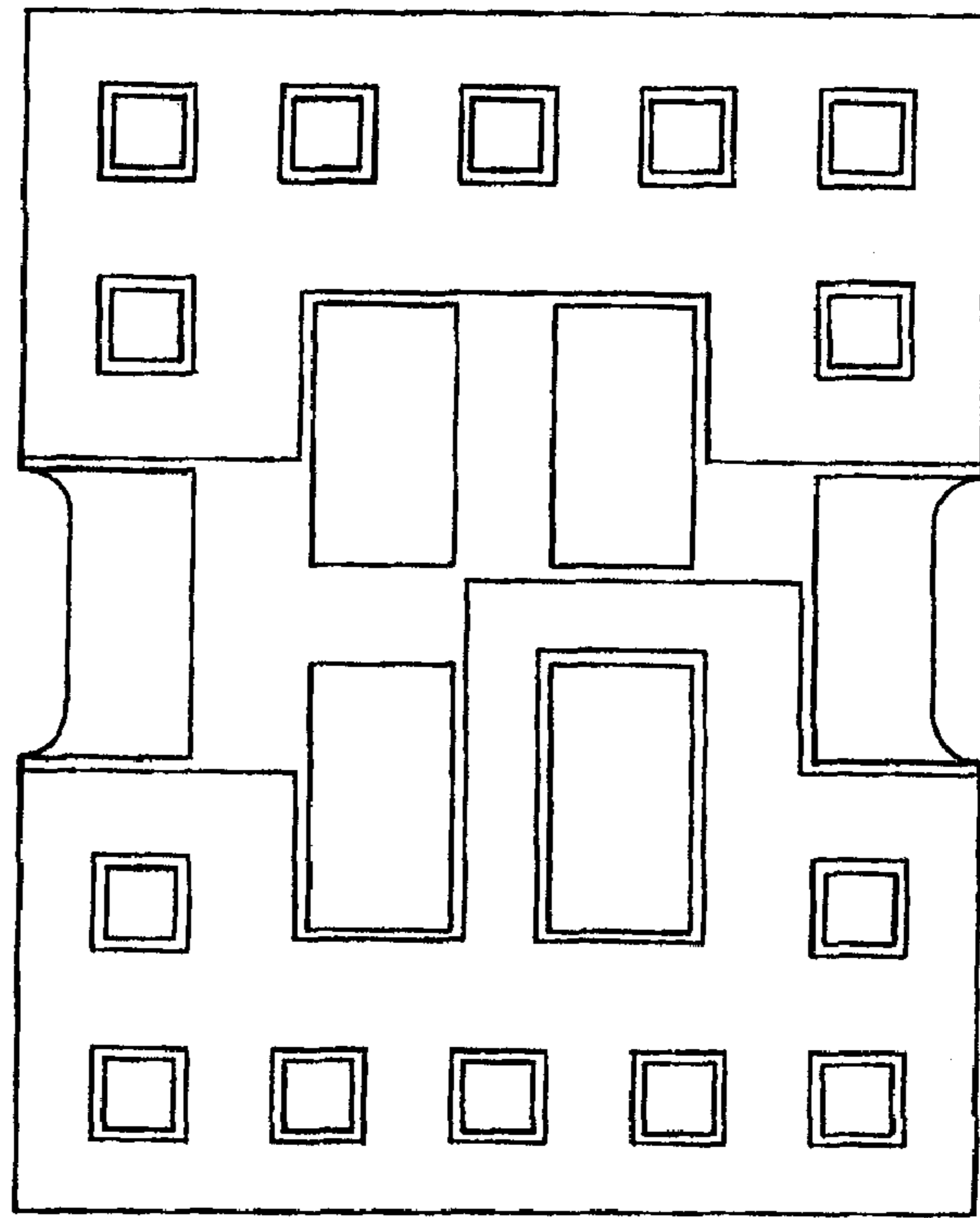


Fig. 6

