



US00D530704S

(12) **United States Design Patent**
Cortes

(10) **Patent No.:** **US D530,704 S**

(45) **Date of Patent:** **** Oct. 24, 2006**

(54) **FRONT PLATE FOR AN ELECTRONICS ENCLOSURE**

(75) Inventor: **Raul Cortes**, Clovis, CA (US)

(73) Assignee: **Pelco**, Clovis, CA (US)

(**) Term: **14 Years**

(21) Appl. No.: **29/226,956**

(22) Filed: **Apr. 4, 2005**

(51) **LOC (8) Cl.** **14-03**

(52) **U.S. Cl.** **D14/217; D14/188**

(58) **Field of Classification Search** D14/302,
D14/308, 432, 439, 444, 447, 194, 217, 265,
D14/188; 455/344-351; 330/1 R, 3, 4, 250;
D13/179, 184; 369/6-12

See application file for complete search history.

(56) **References Cited**

U.S. PATENT DOCUMENTS

- D374,671 S * 10/1996 Tatsumi D14/214
- D375,742 S * 11/1996 Weissberg et al. D14/188
- D477,303 S * 7/2003 Niitsu D14/188
- D485,545 S * 1/2004 Wang D14/217
- 6,717,486 B1 * 4/2004 Lovaasen et al. 333/24 R

- D489,356 S * 5/2004 Cho D12/188
- D500,490 S * 1/2005 Zeitman D14/188
- D510,094 S * 9/2005 Bolton et al. D14/496
- D510,572 S * 10/2005 Lee et al. D14/188

* cited by examiner

Primary Examiner—Prabhakar Deshmukh

(74) *Attorney, Agent, or Firm*—Mark D. Miller

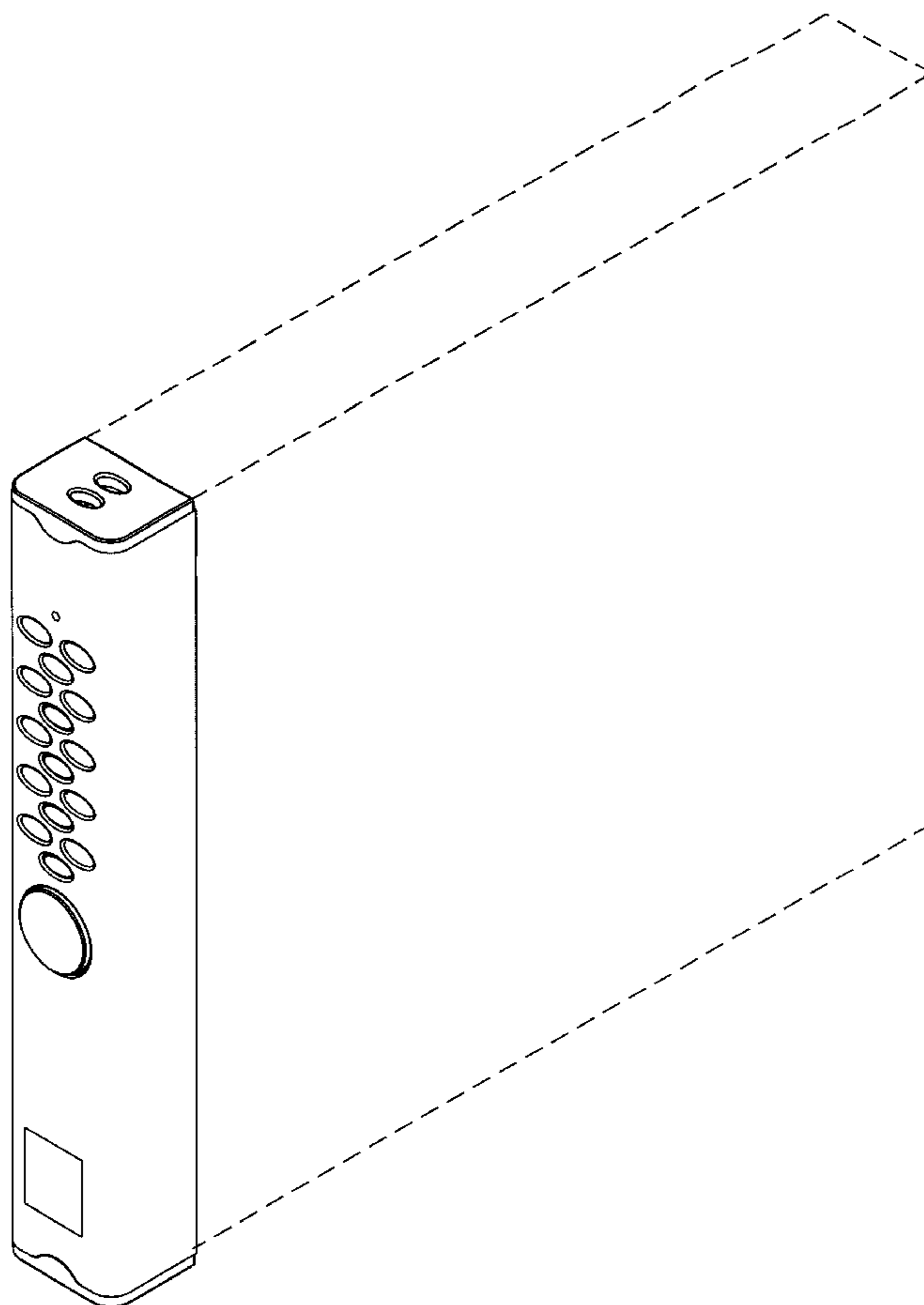
(57) **CLAIM**

I claim the ornamental design for a front plate for an electronics enclosure, as shown.

DESCRIPTION

FIG. 1 is a side perspective view of the front plate for an electronics enclosure showing my new design;
 FIG. 2 is an opposite side perspective view thereof;
 FIG. 3 is a front elevational view thereof;
 FIG. 4 is a top plan view thereof;
 FIG. 5 is a rear elevational view thereof;
 FIG. 6 is a bottom plan view thereof;
 FIG. 7 is a right side elevational view thereof; and,
 FIG. 8 is a left side elevational view thereof.
 The broken lines in the figures are for illustrative purposes only and form no part of the claimed design.

1 Claim, 7 Drawing Sheets



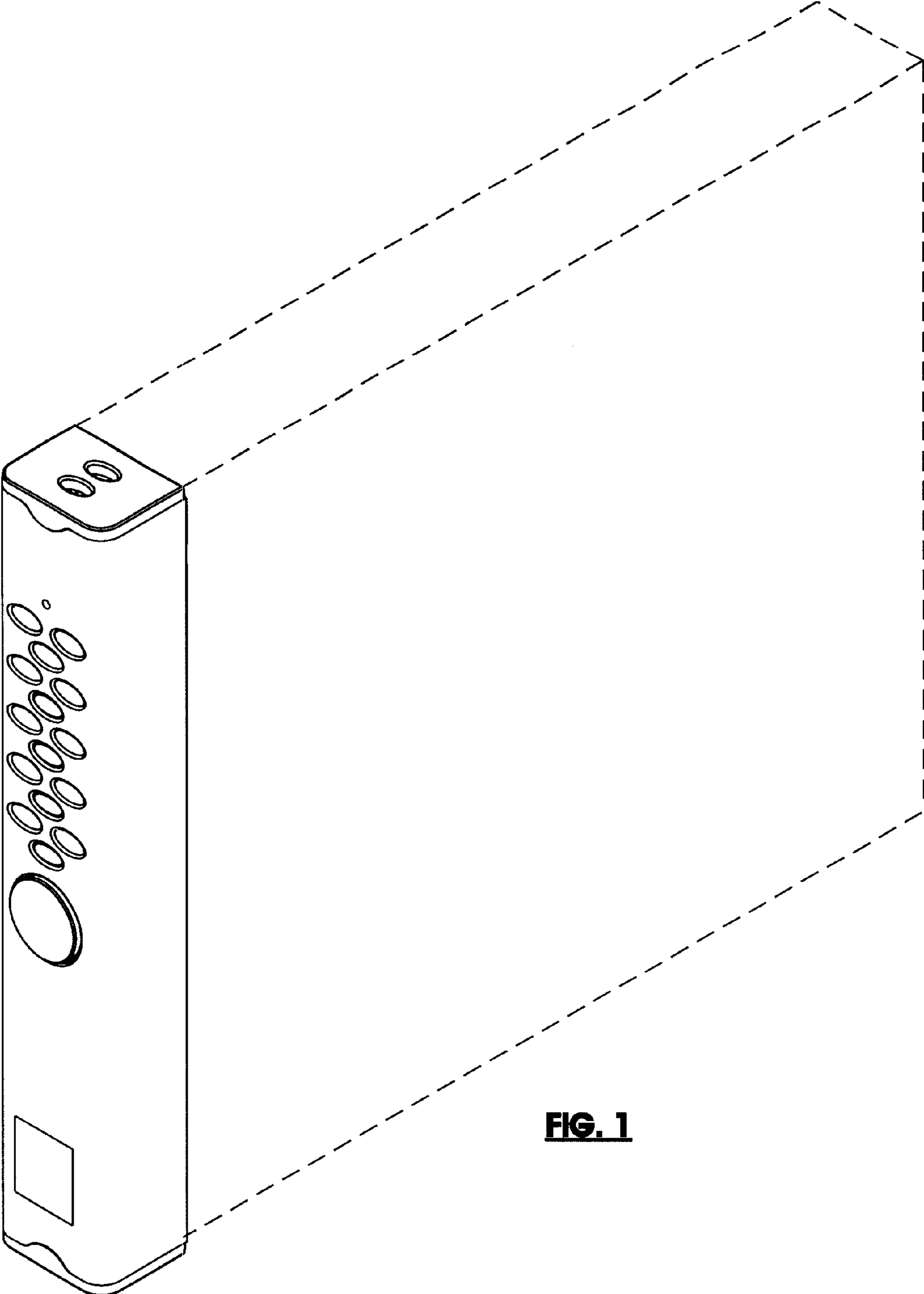


FIG. 1

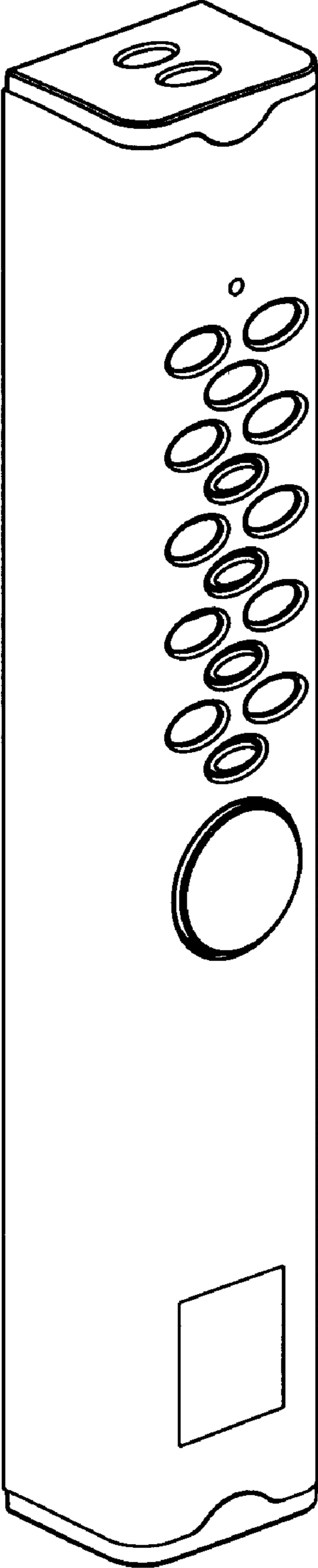


FIG. 2

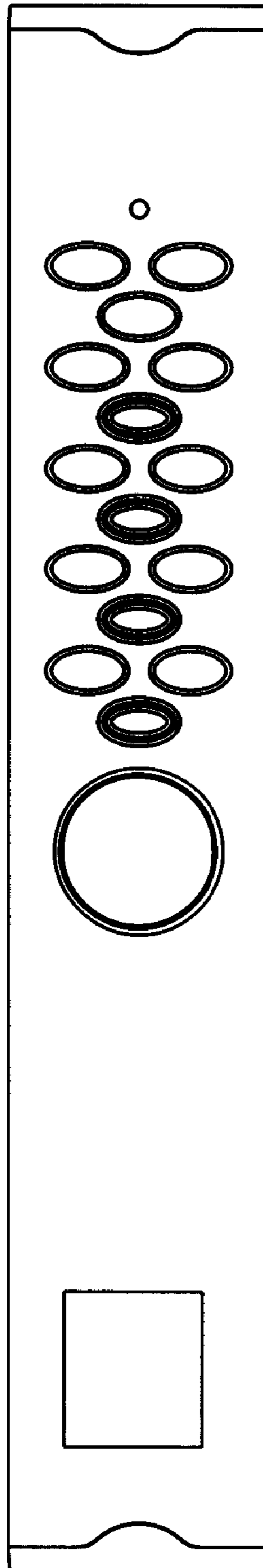


FIG. 3

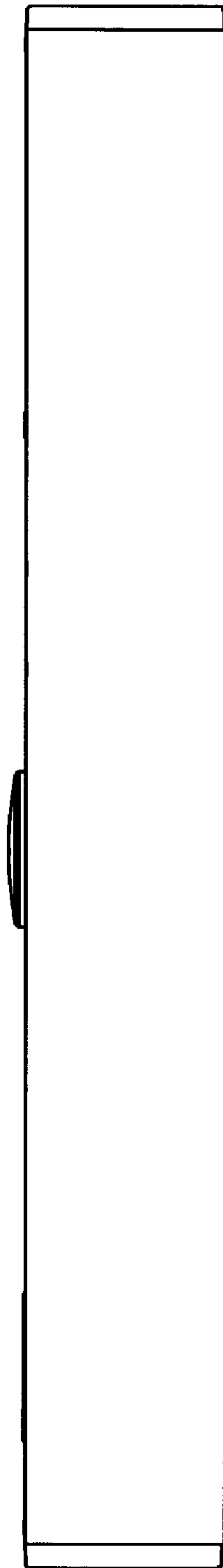


FIG. 4

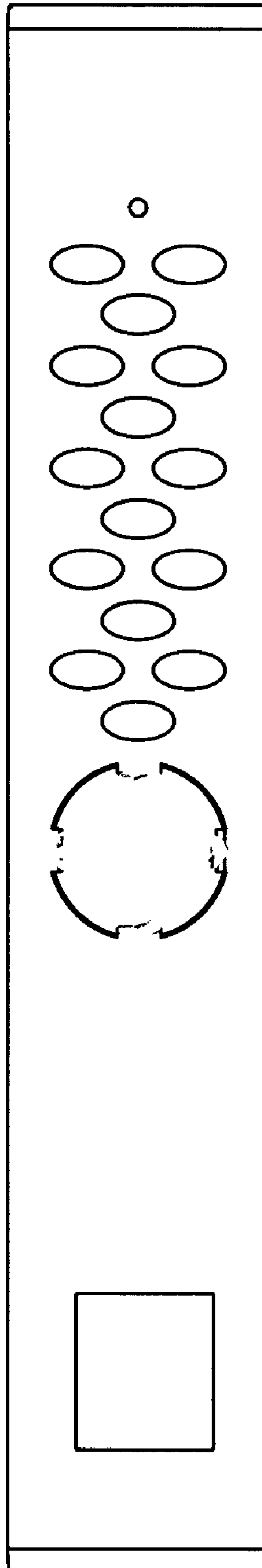


FIG. 5

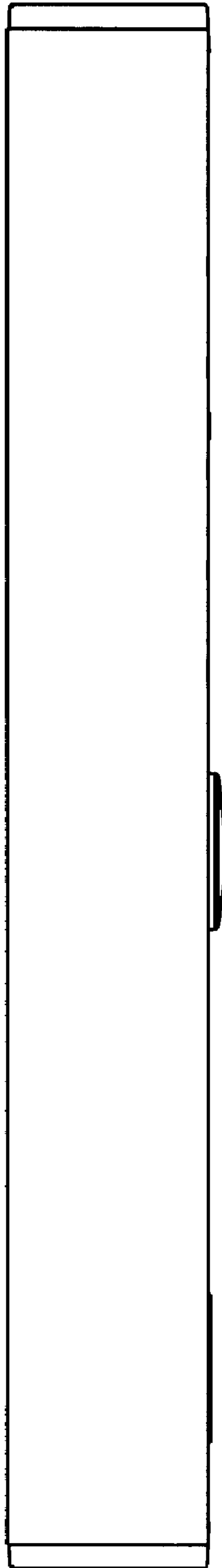


FIG. 6

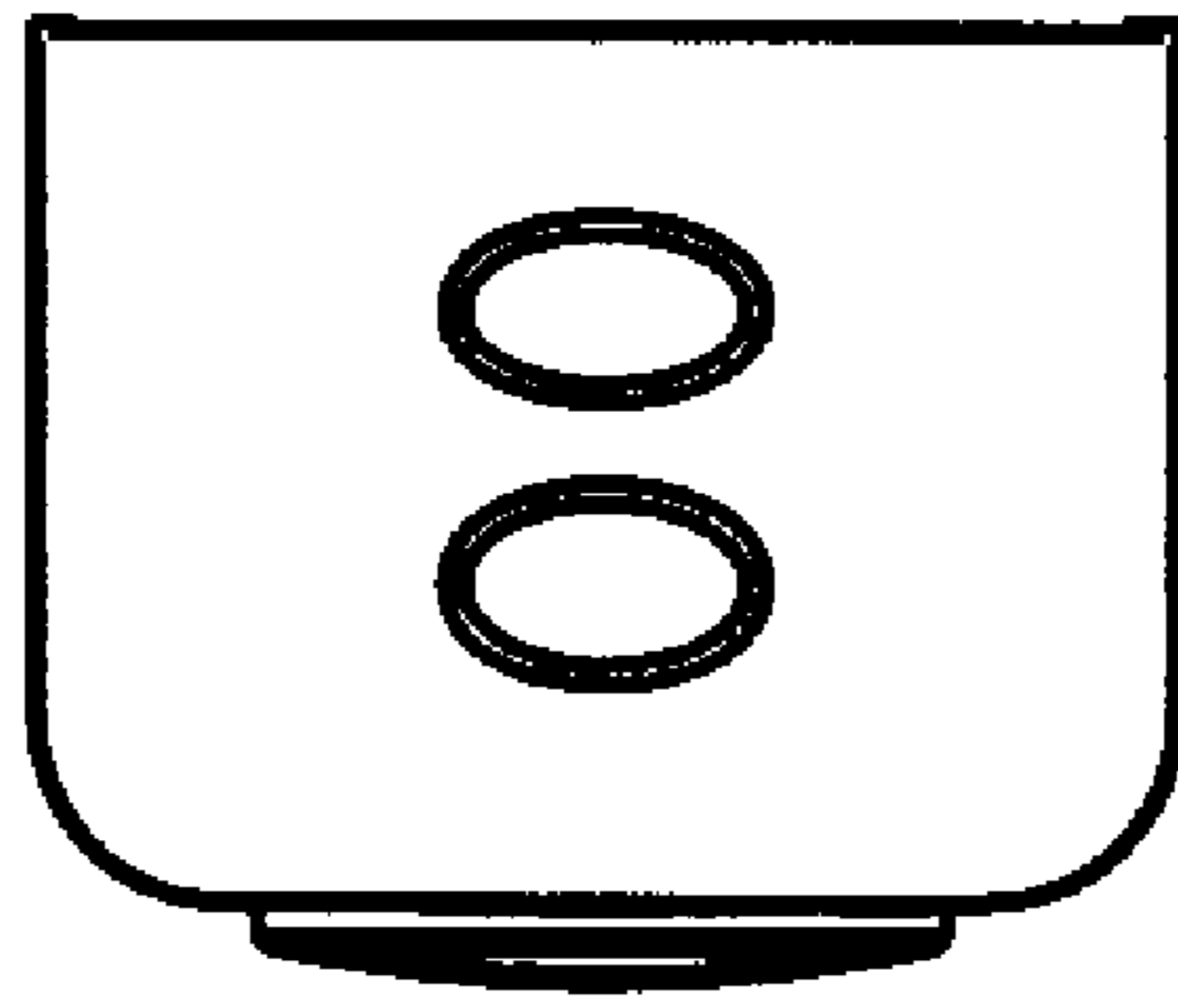


FIG. 7

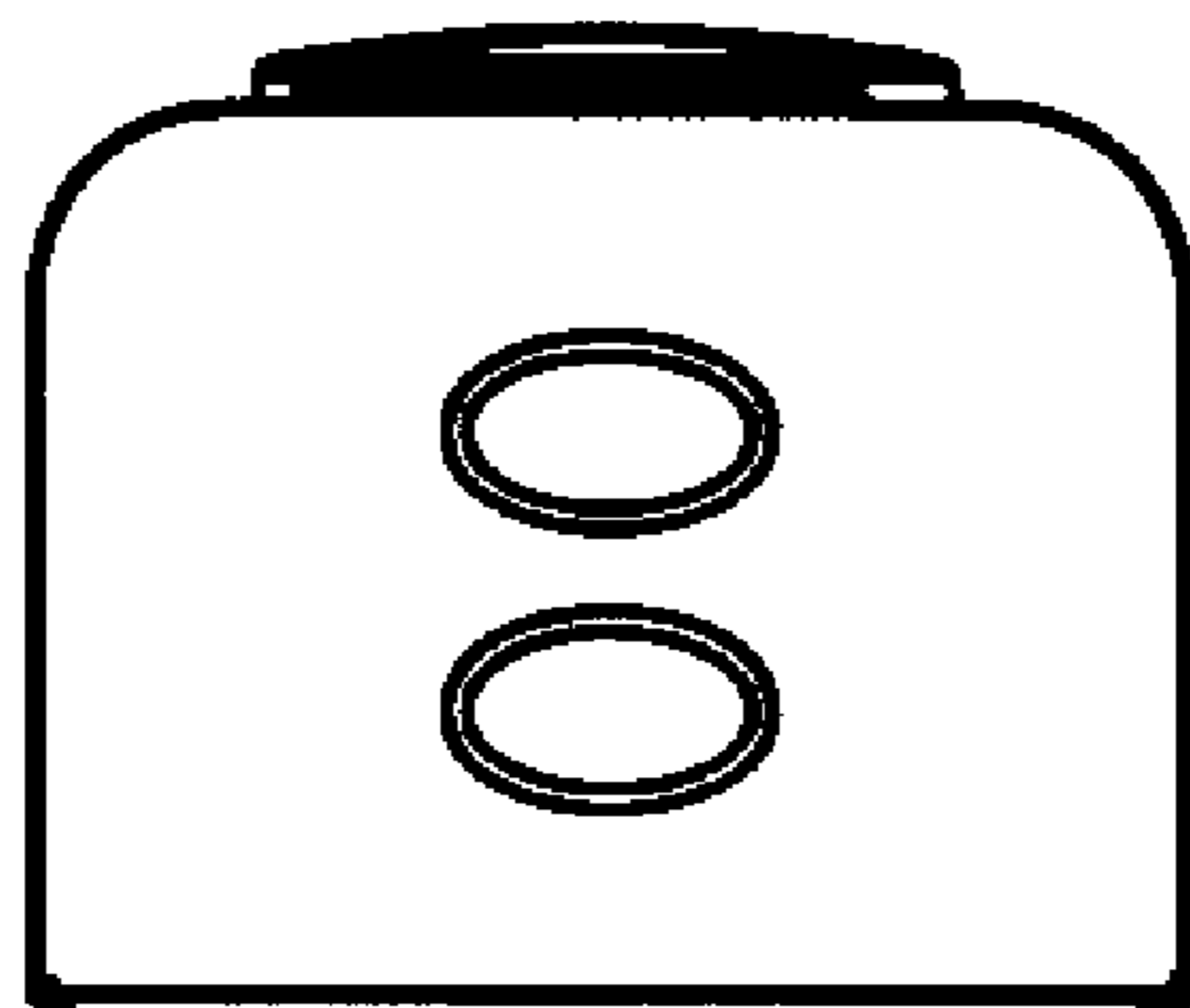


FIG. 8