



US00D530702S

(12) **United States Design Patent**
Pritchard et al.

(10) **Patent No.:** **US D530,702 S**

(45) **Date of Patent:** **** Oct. 24, 2006**

(54) **HEADSET**

(75) Inventors: **David Stuart Pritchard**, Manchester (GB); **Peng Chung Tan**, Alor Setar (MY)

(73) Assignee: **Motorola, Inc.**, Schaumburg, IL (US)

(**) Term: **14 Years**

(21) Appl. No.: **29/239,748**

(22) Filed: **Oct. 4, 2005**

(51) **LOC (8) Cl.** **14-01**

(52) **U.S. Cl.** **D14/206**

(58) **Field of Classification Search** D14/188, D14/192, 205-206, 223, 225; 181/129, 142, 181/130; 379/430, 433; 381/370, 376, 377, 381/378, 379, 380, 381, 74; D24/110, 112; 2/209; 455/550, 575.2, 568

See application file for complete search history.

(56) **References Cited**

U.S. PATENT DOCUMENTS

4,542,803 A * 9/1985 Houg 181/129
D337,116 S * 7/1993 Hattori D14/206
D344,730 S * 3/1994 Gattey et al. D14/206
D365,559 S * 12/1995 Fathi D14/142

6,154,539 A * 11/2000 Pitel 379/430
6,356,635 B1 * 3/2002 Lyman et al. 379/430
6,622,029 B1 * 9/2003 Skulley et al. 455/575.2
D488,146 S * 4/2004 Minto D14/206
D491,163 S * 6/2004 Green D14/205
D498,470 S * 11/2004 Skulley et al. D14/206
6,952,481 B1 * 10/2005 Larsen et al. 381/74
D514,086 S * 1/2006 Skulley D14/206

* cited by examiner

Primary Examiner—Paula A. Greene

(74) *Attorney, Agent, or Firm*—Terri S. Hughes

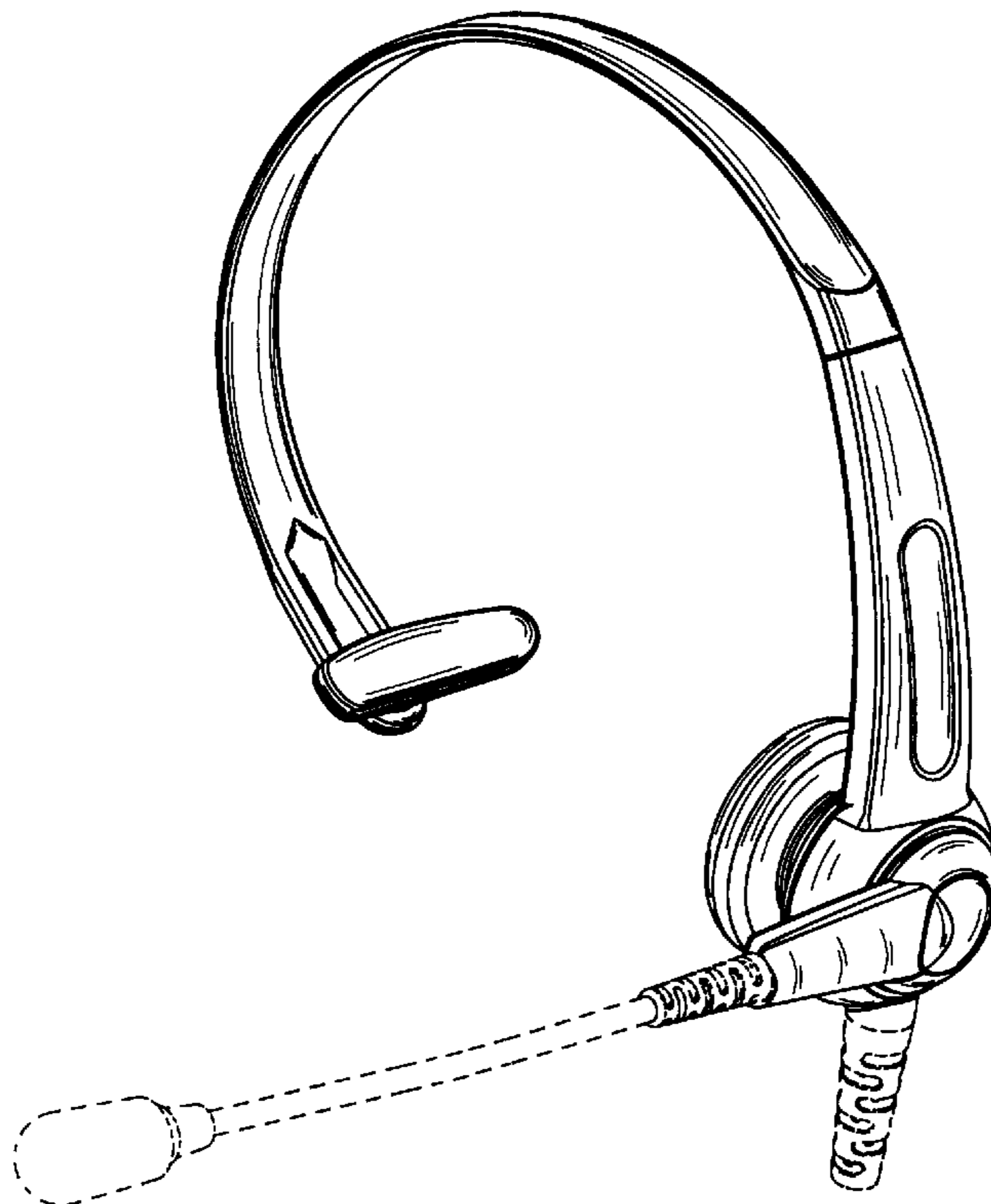
(57) **CLAIM**

The ornamental design for headset, as shown and described.

DESCRIPTION

FIG. 1 is a perspective view of the headset;
FIG. 2 is a front plan view thereof;
FIG. 3 is a rear plan view thereof.
FIG. 4 is a left-side plan view thereof;
FIG. 5 is a right-side plan view thereof;
FIG. 6 is a top plan view thereof; and,
FIG. 7 is a bottom plan view thereof.
The broken lines are for illustrative purposes only and forms no part of the claimed design.

1 Claim, 4 Drawing Sheets



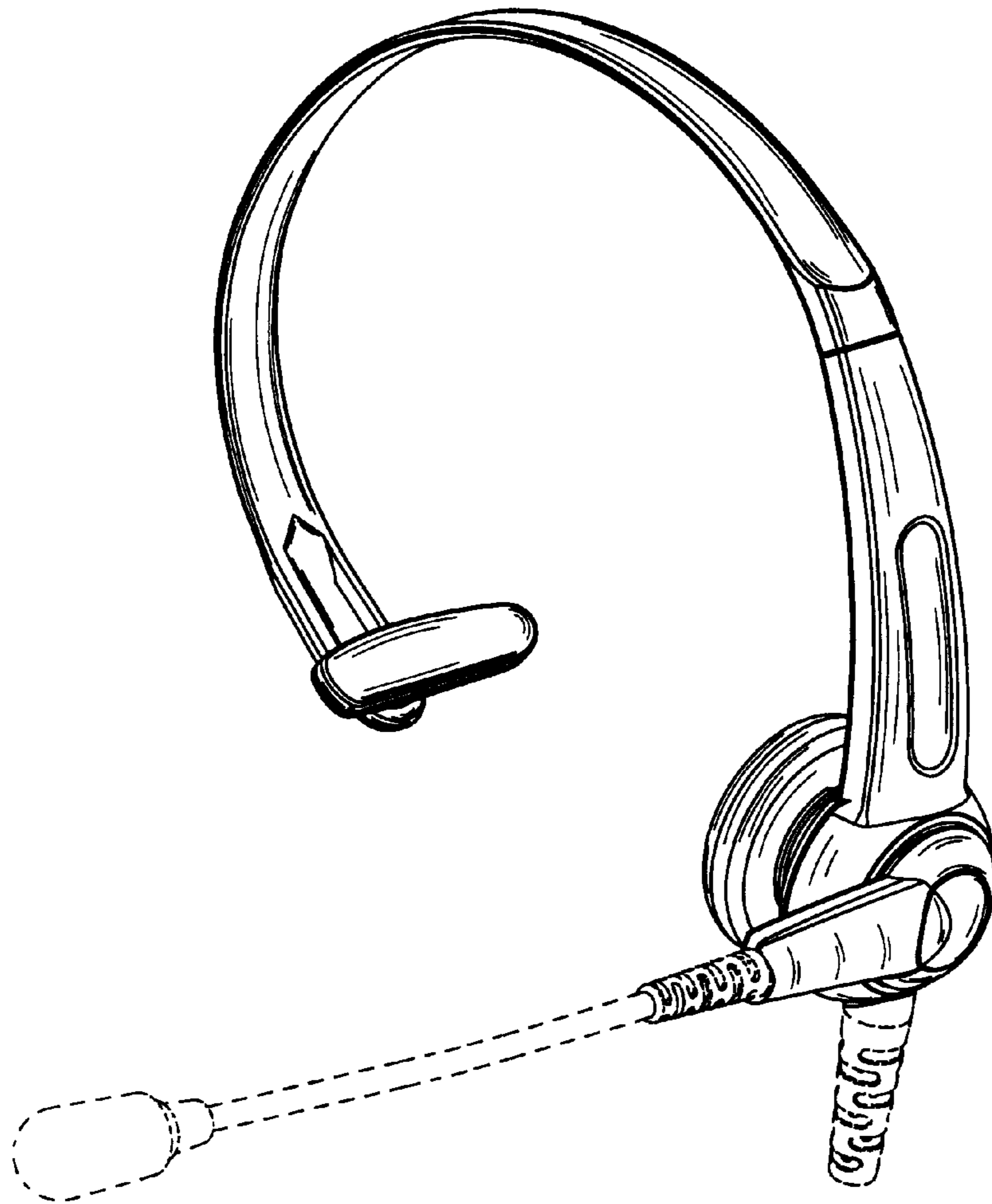


FIG. 1

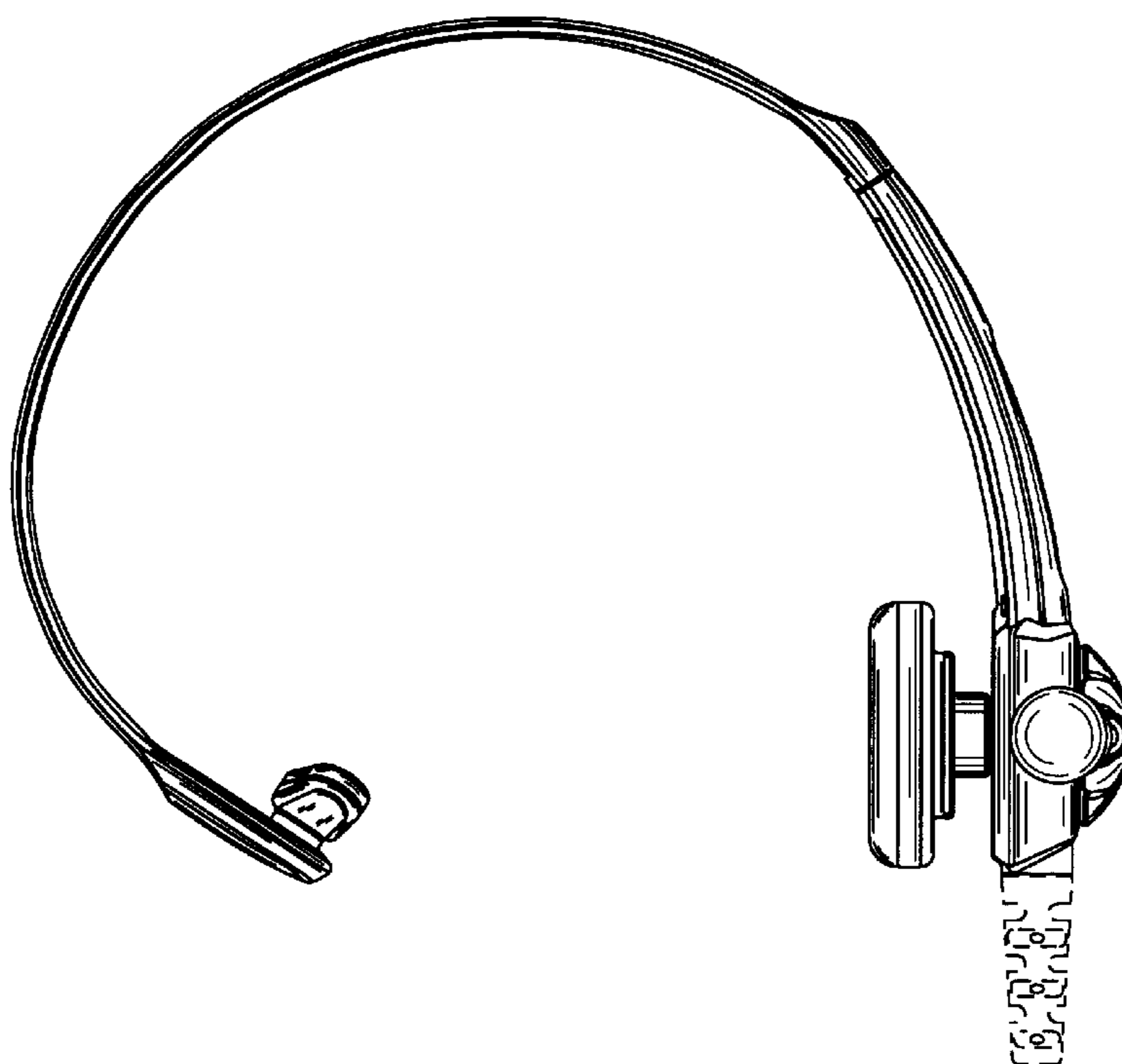


FIG. 2

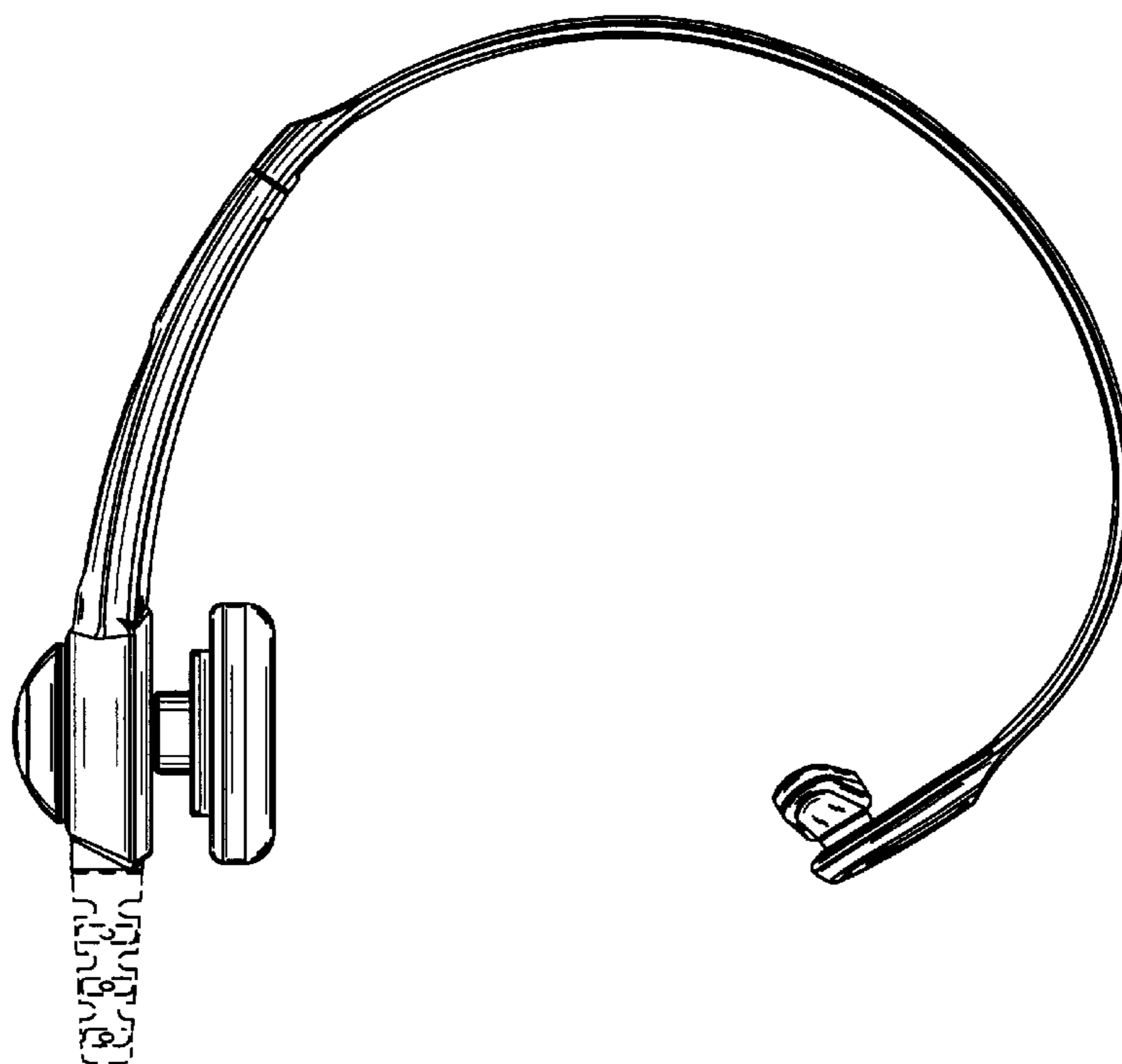


FIG. 3

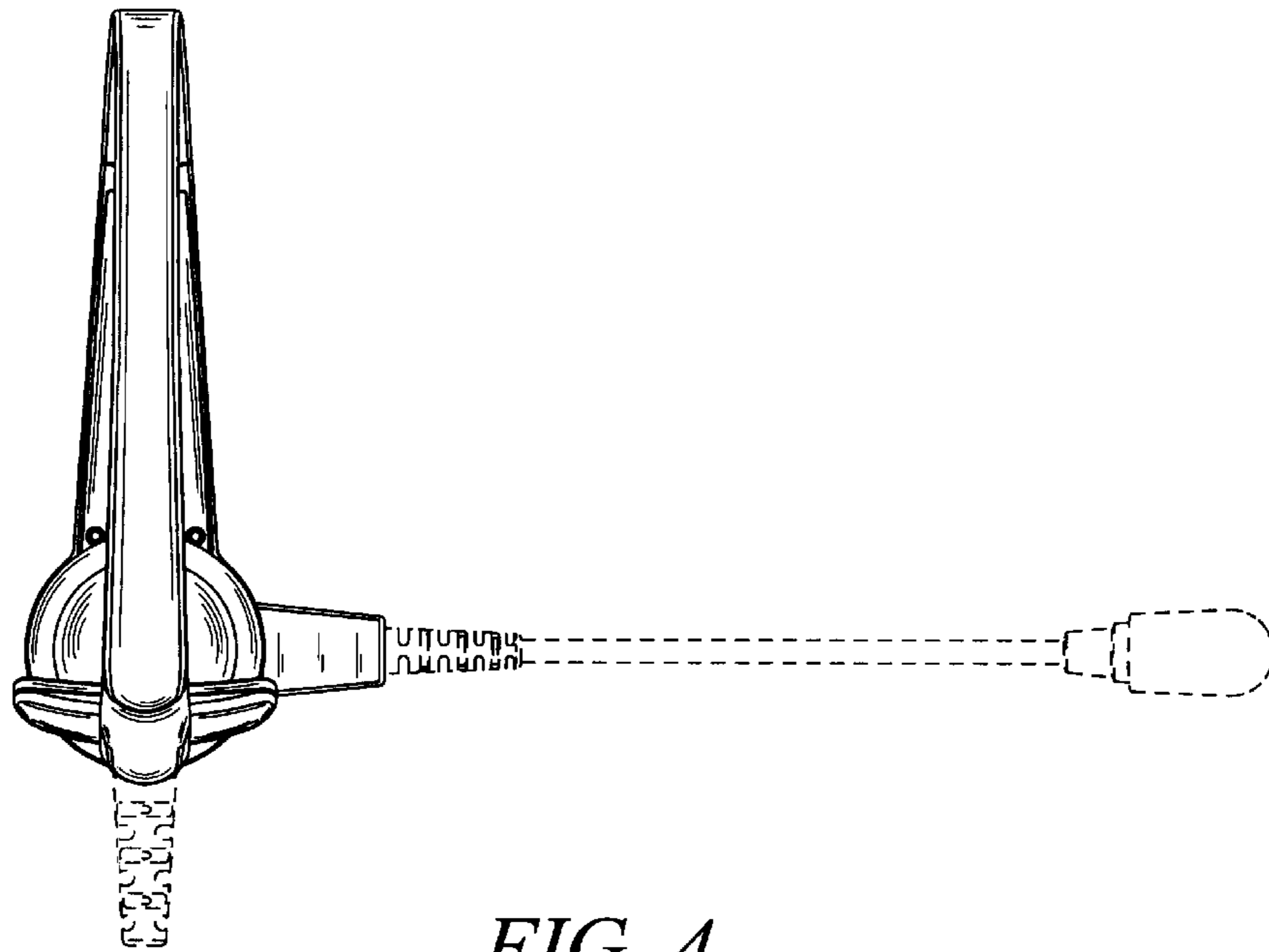


FIG. 4

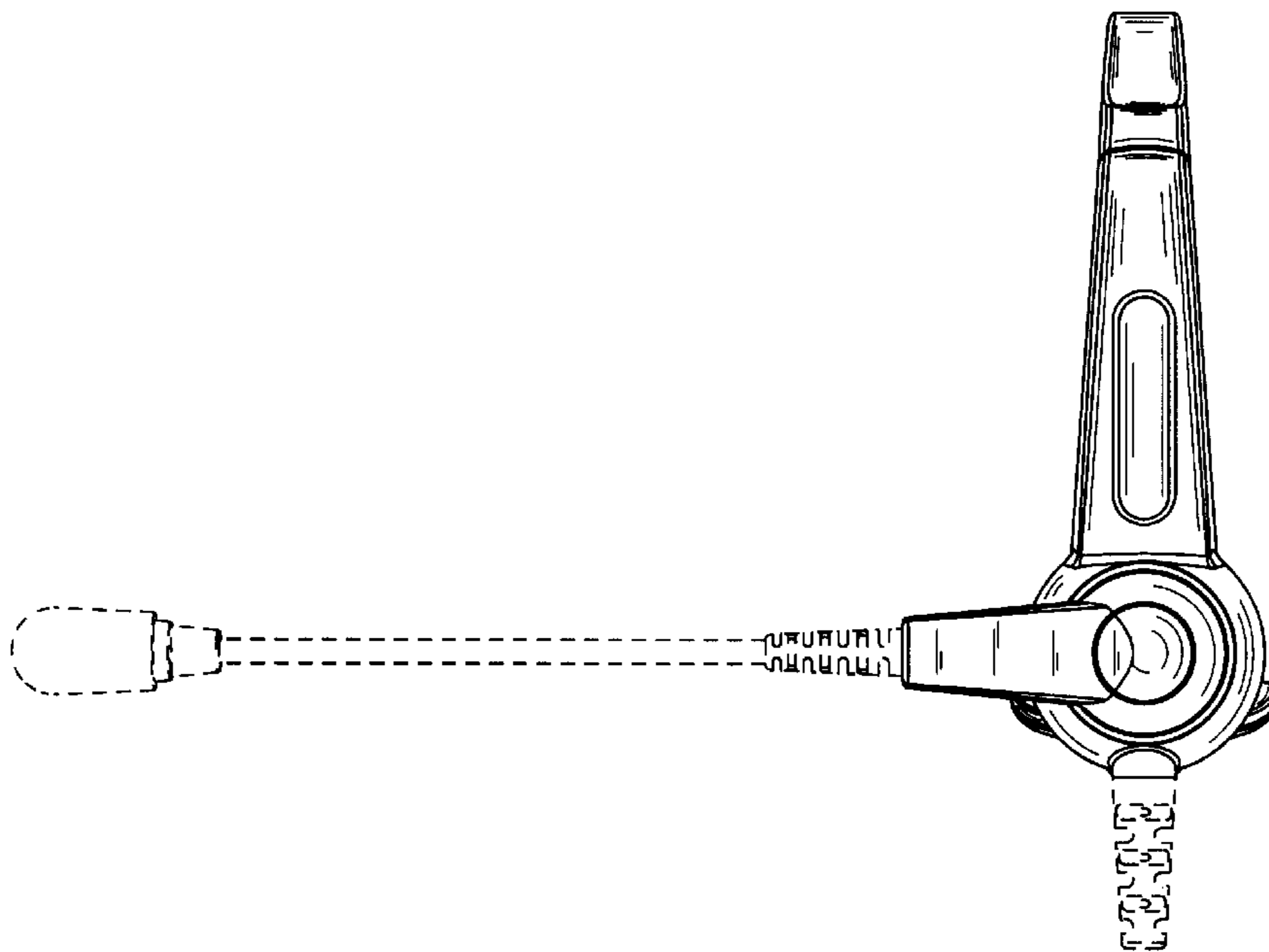


FIG. 5

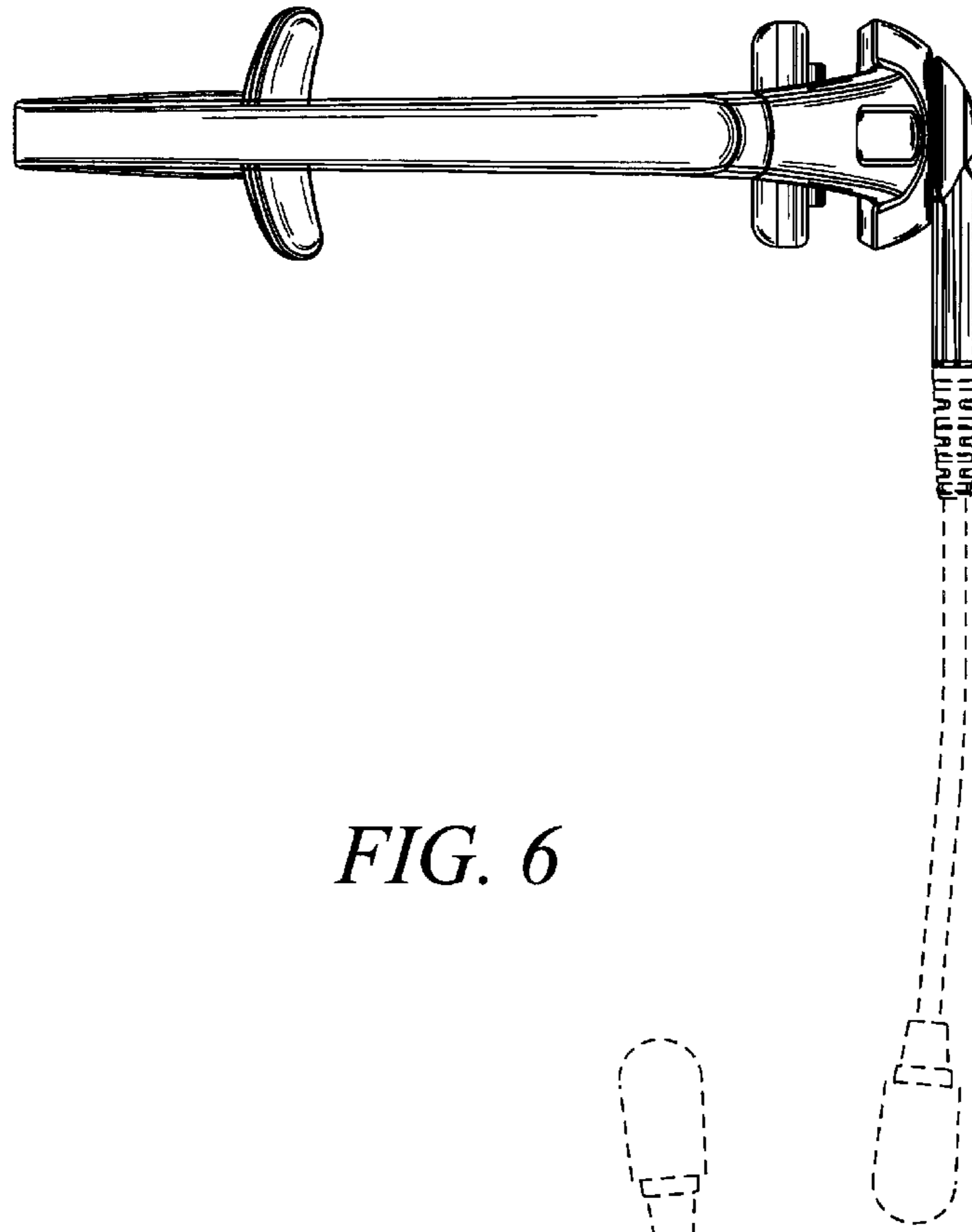


FIG. 6

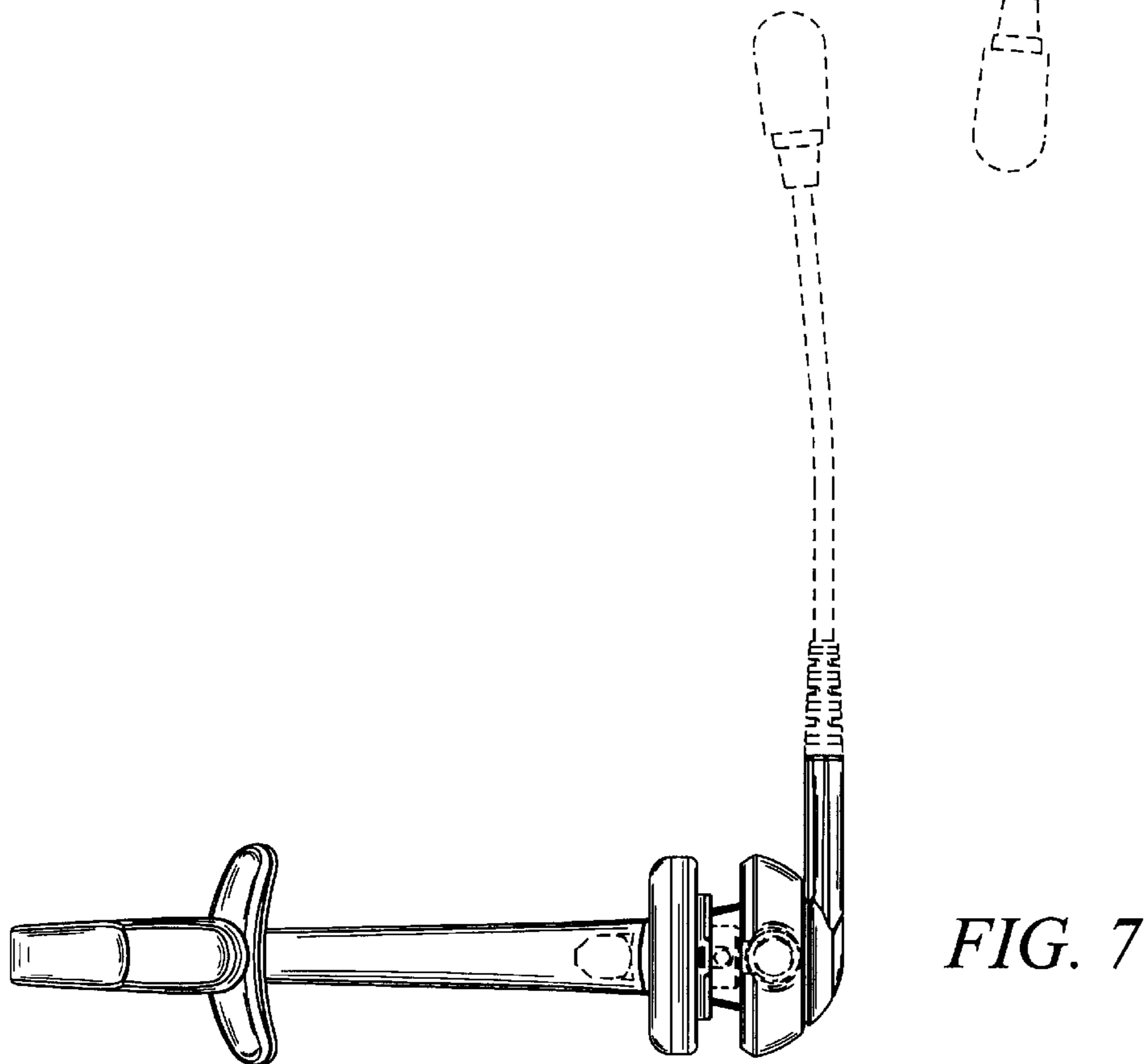


FIG. 7