



US00D530701S

(12) **United States Design Patent**
West et al.

(10) **Patent No.: US D530,701 S**

(45) **Date of Patent: ** Oct. 24, 2006**

(54) **TELEPHONE**

(75) Inventors: **Richard West**, Hendersonville, TN (US); **David Render**, Belleville (CA); **Herbert Walter Bentz**, Surrey (CA); **Alexander Jeffrey Feldman**, Vancouver (CA); **Brian Giesbrecht**, Vancouver (CA); **Robbie Gordon Roberts**, Port Moody (CA)

(73) Assignee: **Nortel Networks Limited (CA)**

(**) Term: **14 Years**

(21) Appl. No.: **29/243,479**

(22) Filed: **Nov. 23, 2005**

(51) **LOC (8) Cl. 14-03**

(52) **U.S. Cl. D14/151**

(58) **Field of Classification Search** D14/144,
D14/137-138, 140, 142, 147-151, 240, 248;
379/419, 440, 434-436, 454-455

See application file for complete search history.

(56) **References Cited**

U.S. PATENT DOCUMENTS

D427,985 S *	7/2000	Takayama et al.	D14/151
D487,435 S *	3/2004	Huang et al.	D14/130
D490,394 S *	5/2004	Taniguchi et al.	D14/151
D499,078 S *	11/2004	Abe et al.	D14/151
D512,705 S *	12/2005	Bhavnani	D14/151
2003/0012367 A1 *	1/2003	Seo	379/419
2005/0069126 A1 *	3/2005	Xue	379/454

OTHER PUBLICATIONS

“IP Phone 1140 E”, 1 p including photo, [online],
<URL:http://products.nortel.com/go/product₁₃ content.jsp-
?parId=0&segId=0&catId=-9789&prod_id=54860&lo-

cale=en-US>, site visited May 12, 2006, date not available on WayBackMachine Internet Archive.*

* cited by examiner

Primary Examiner—Ian Simmons

Assistant Examiner—Carla Jobe Wright

(74) *Attorney, Agent, or Firm*—McGuinness & Manaras LLP

(57) **CLAIM**

The ornamental design for a telephone, as shown and described.

DESCRIPTION

FIG. 1 is a top, front and right side perspective view of a telephone with a handset resting in its cradle, according to the new design;

FIG. 2 is a front view thereof;

FIG. 3 is a rear view thereof;

FIG. 4 is a right side view thereof;

FIG. 5 is a left side view thereof, showing the telephone in an upright orientation;

FIG. 6 is a top view thereof, showing the telephone in an upright orientation;

FIG. 7 is a top, front and right side perspective view of the handset portion of the telephone;

FIG. 8 is a front view thereof;

FIG. 9 is a right side elevational view thereof, the left side being a mirror image;

FIG. 10 is a rear view thereof;

FIG. 11 is a bottom view thereof; and,

FIG. 12 is a top view thereof.

Features shown in broken lines are for illustrative purposes only and form no part of the claimed design.

1 Claim, 12 Drawing Sheets





FIG. 1

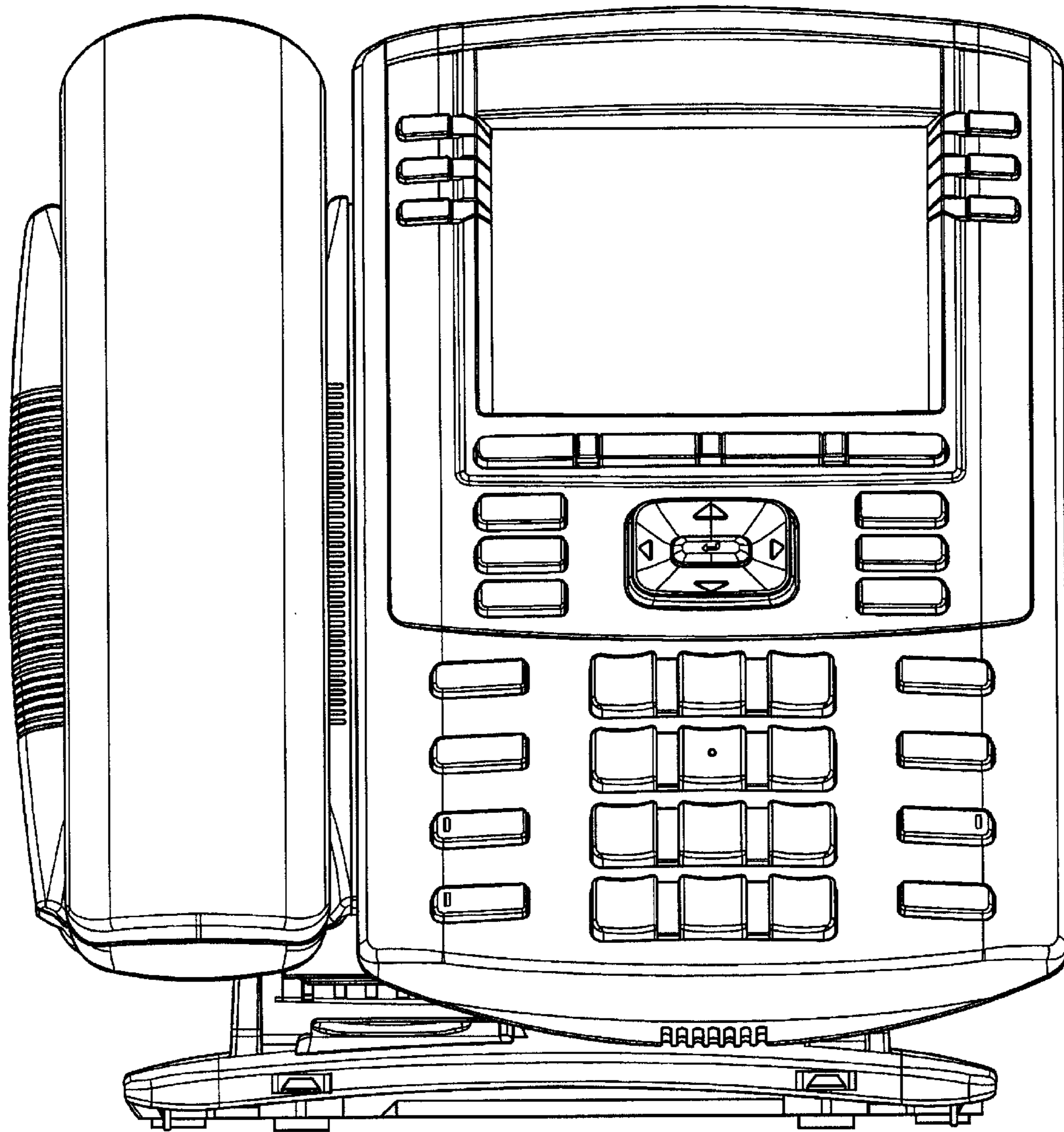


FIG. 2

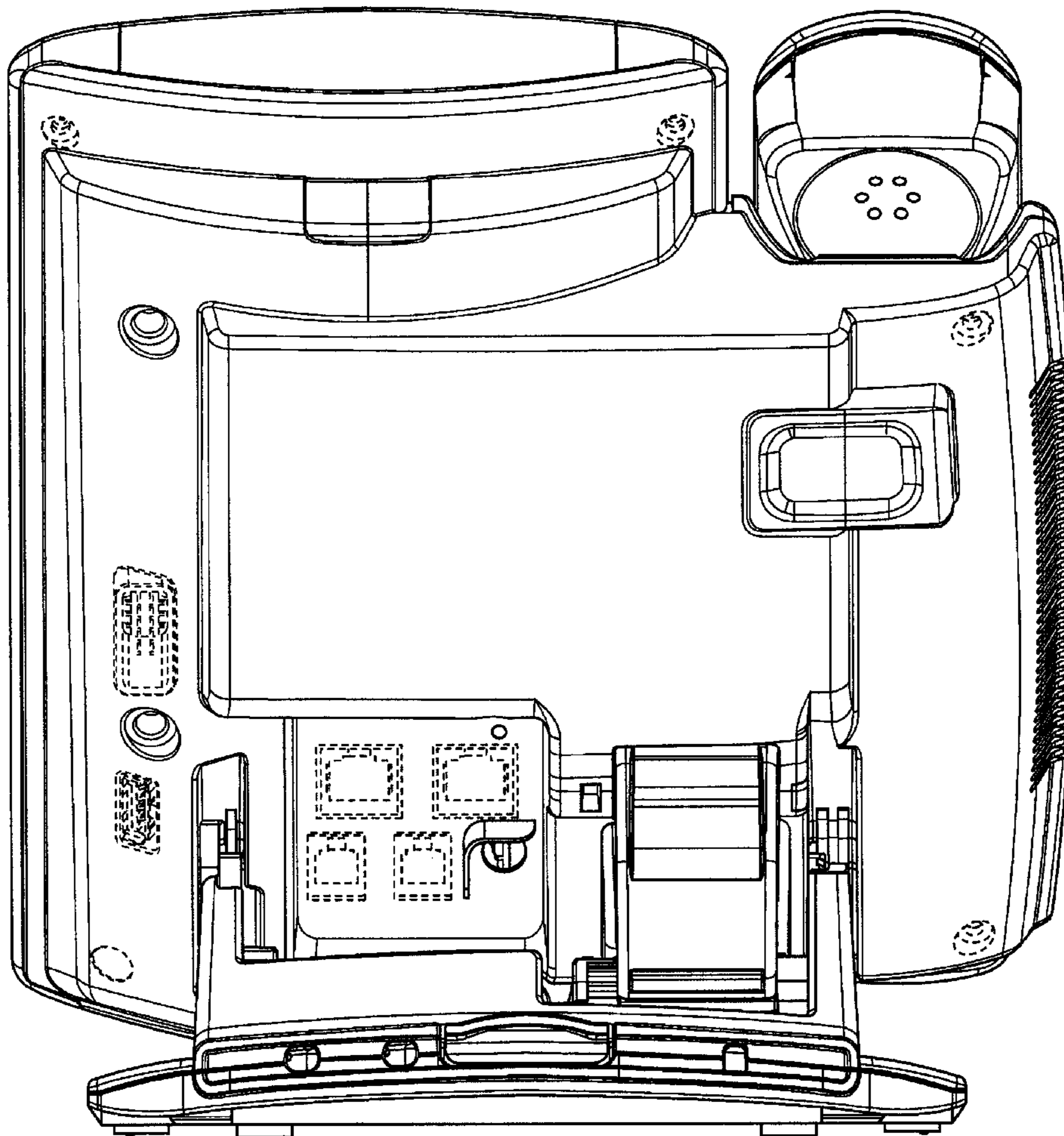


FIG. 3

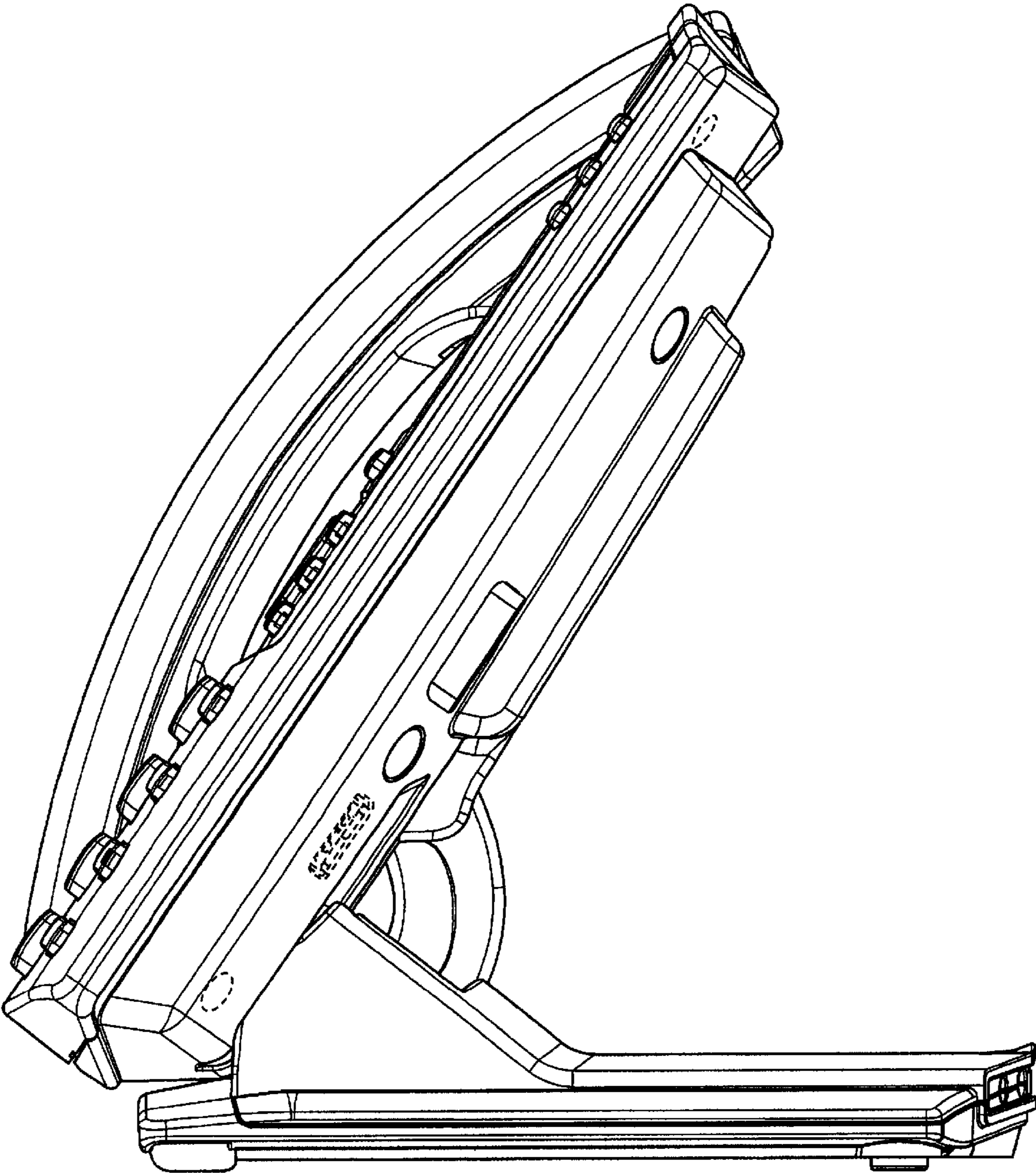


FIG. 4

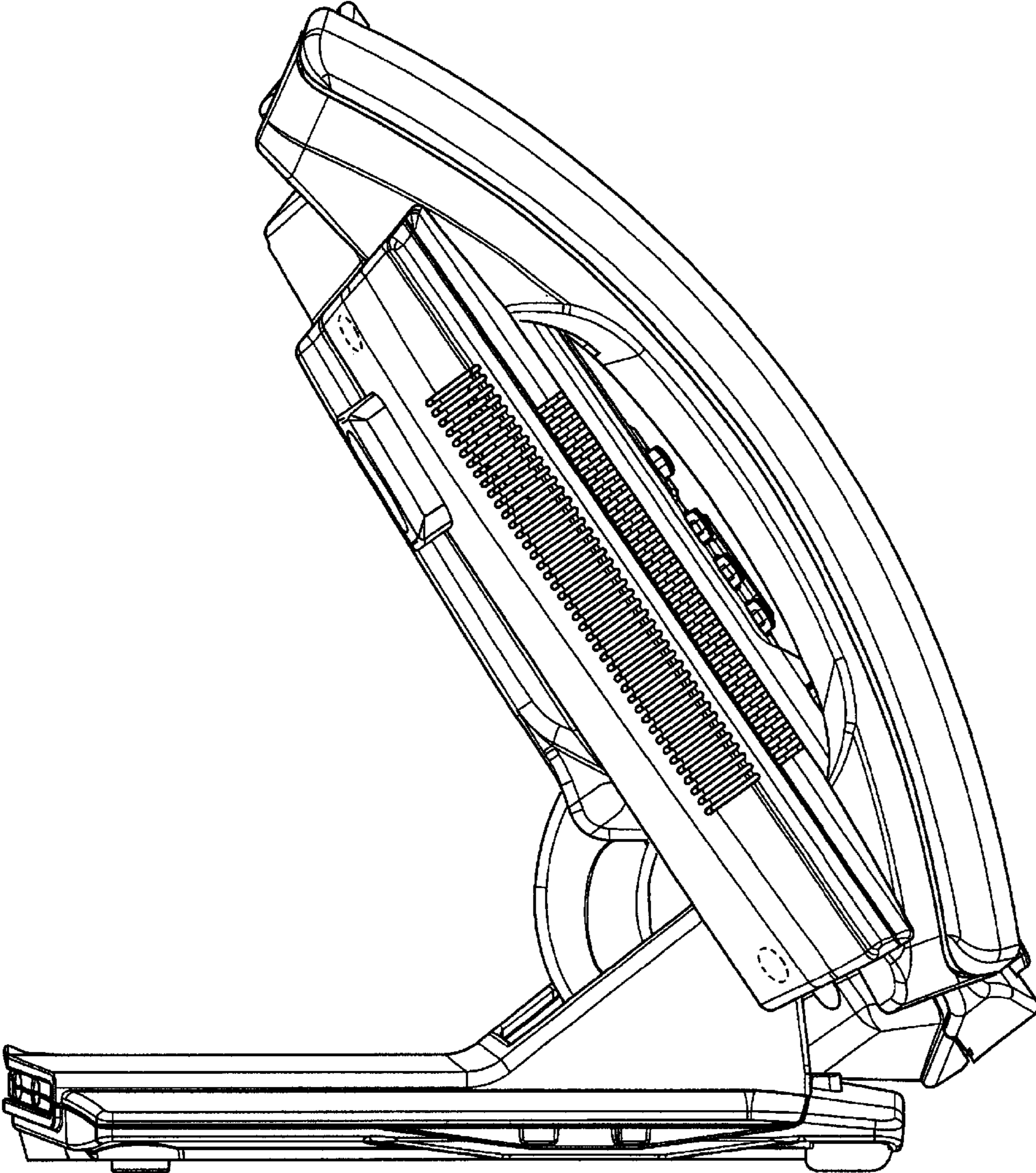


FIG. 5

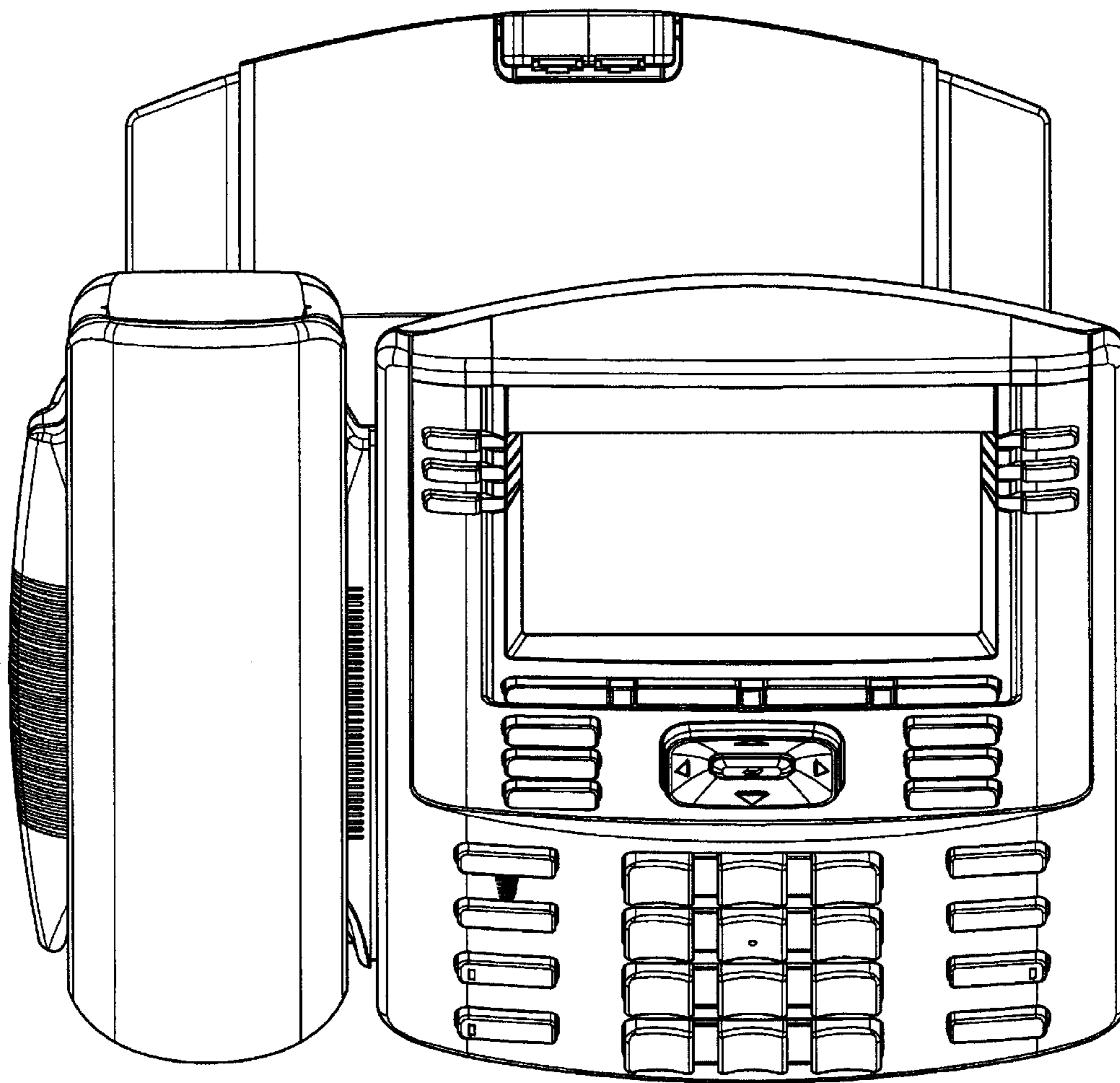


FIG. 6

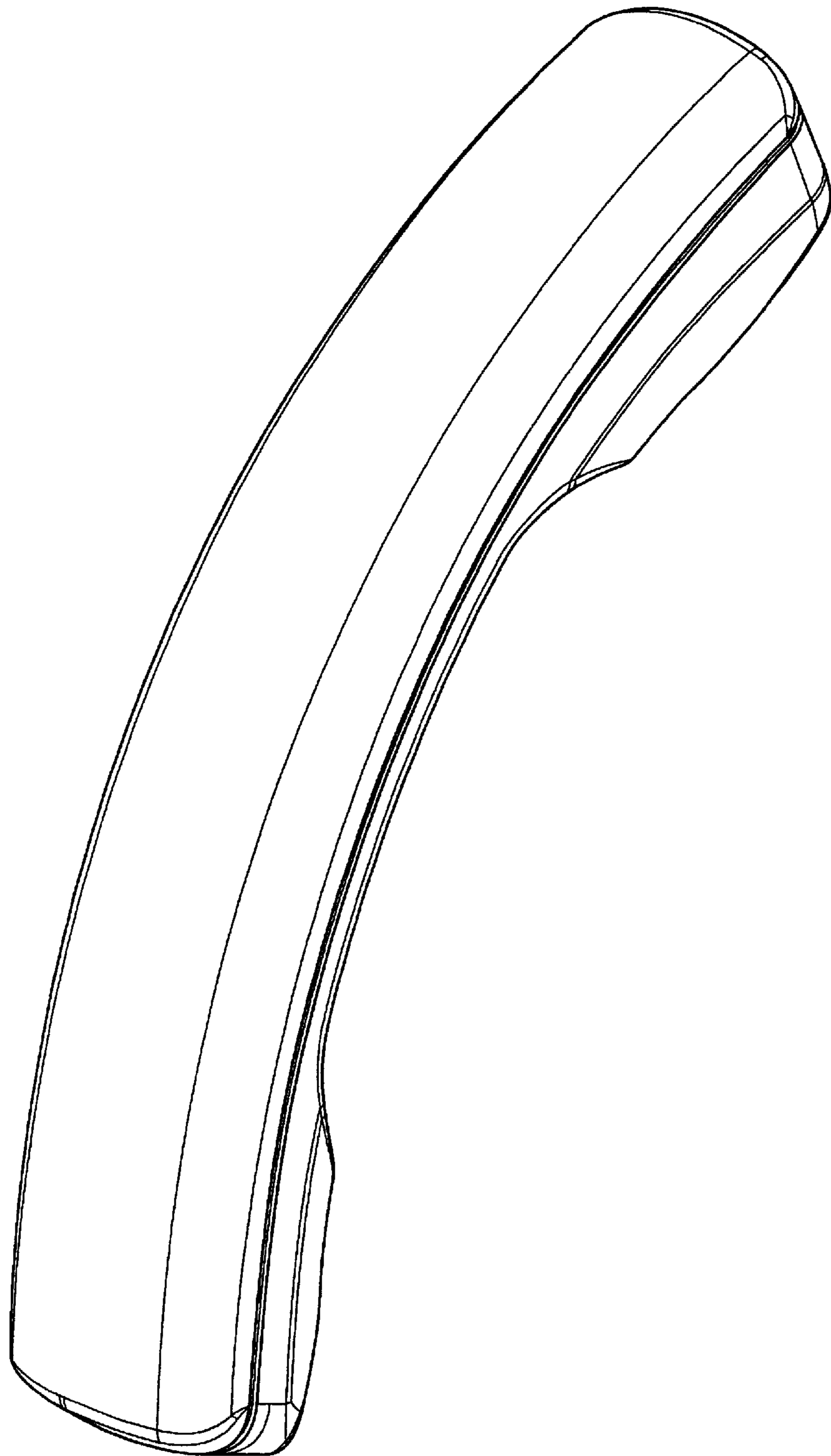


FIG. 7

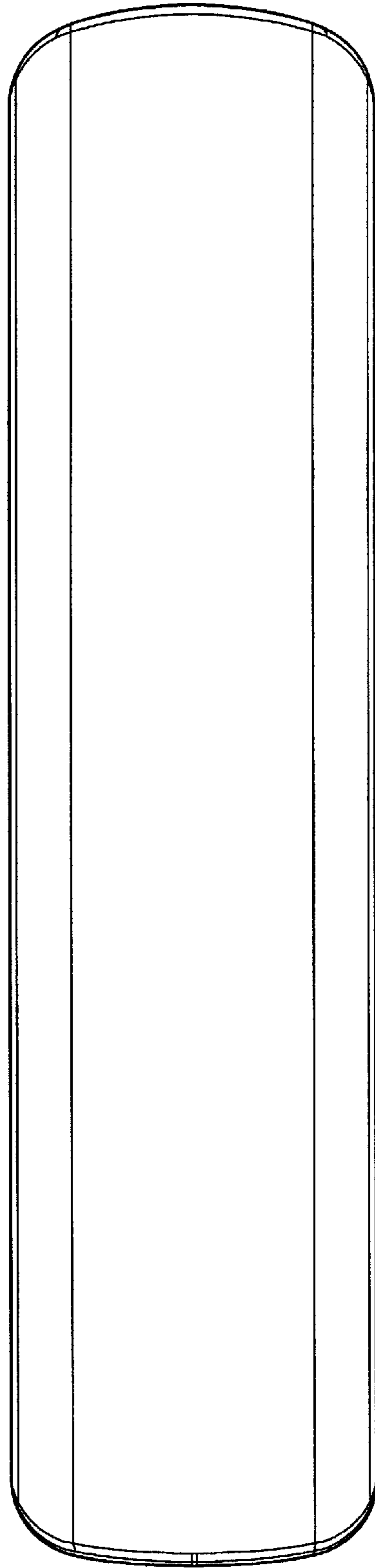


FIG. 8

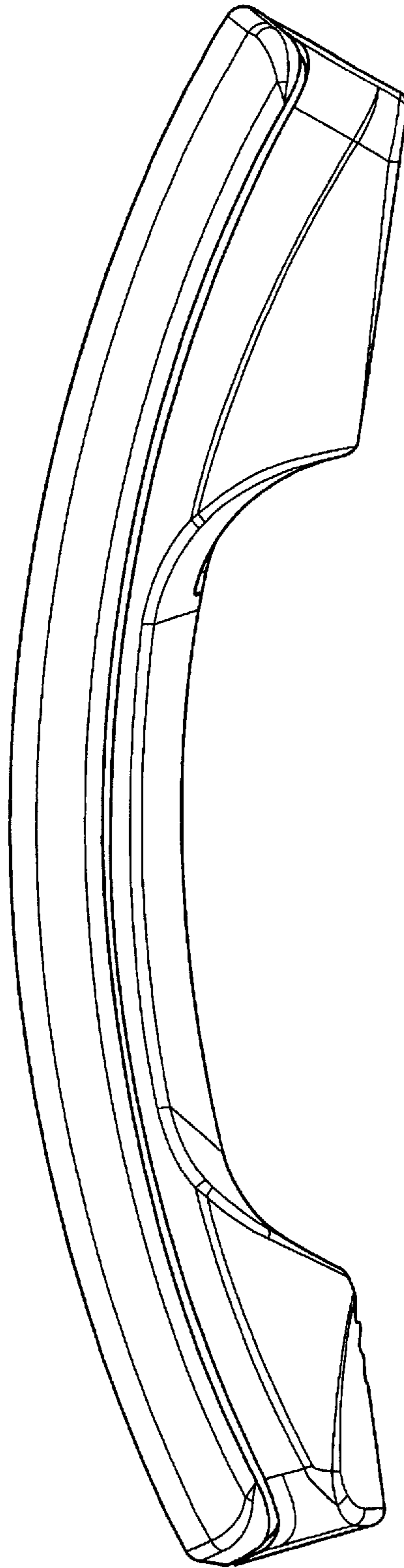


FIG. 9

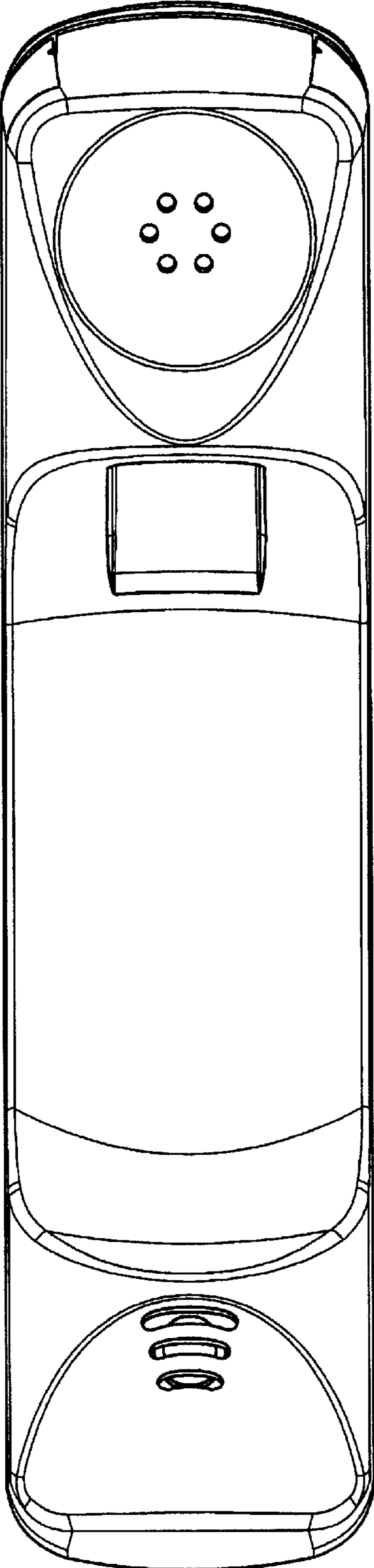


FIG. 10

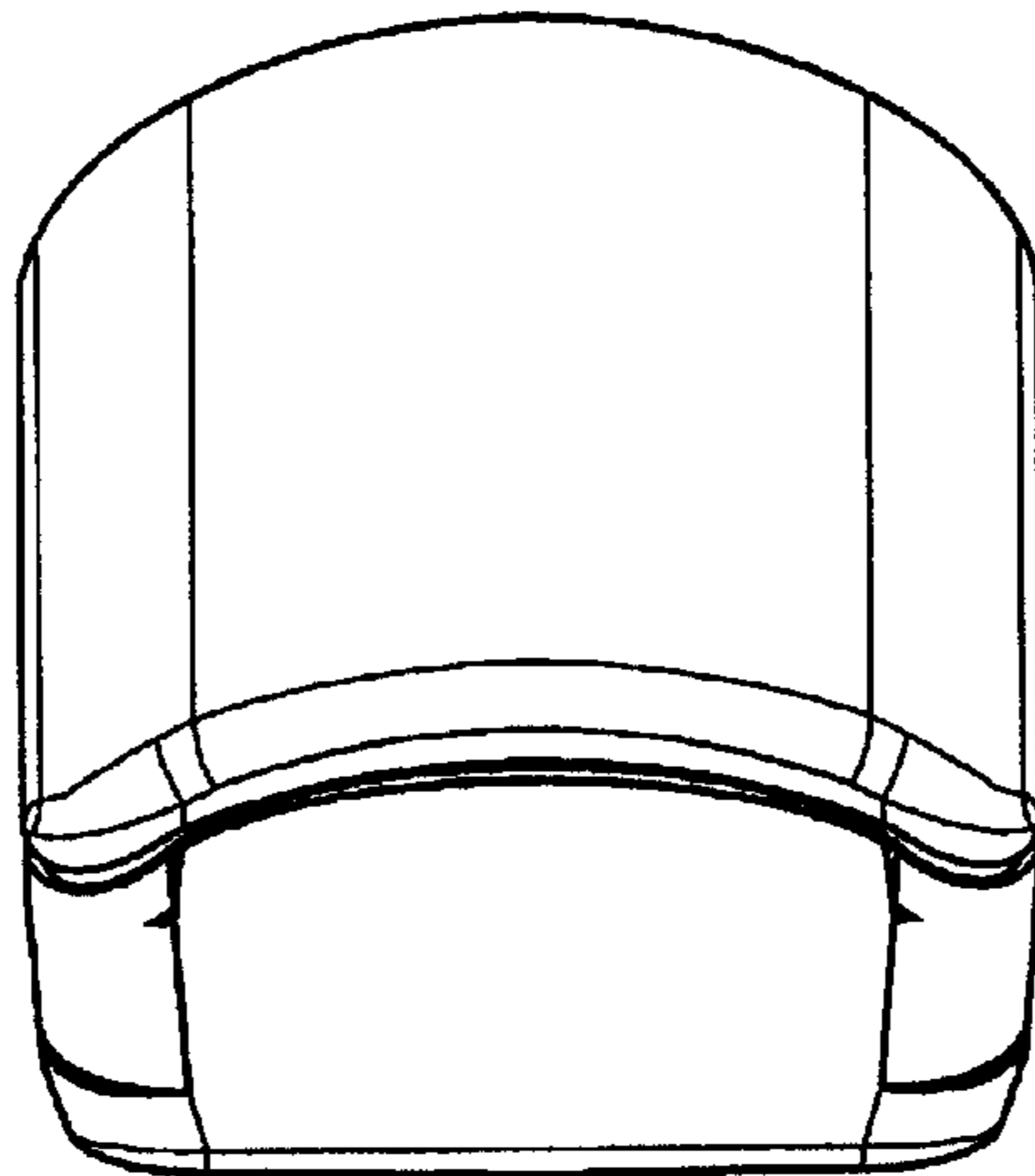


FIG. 11

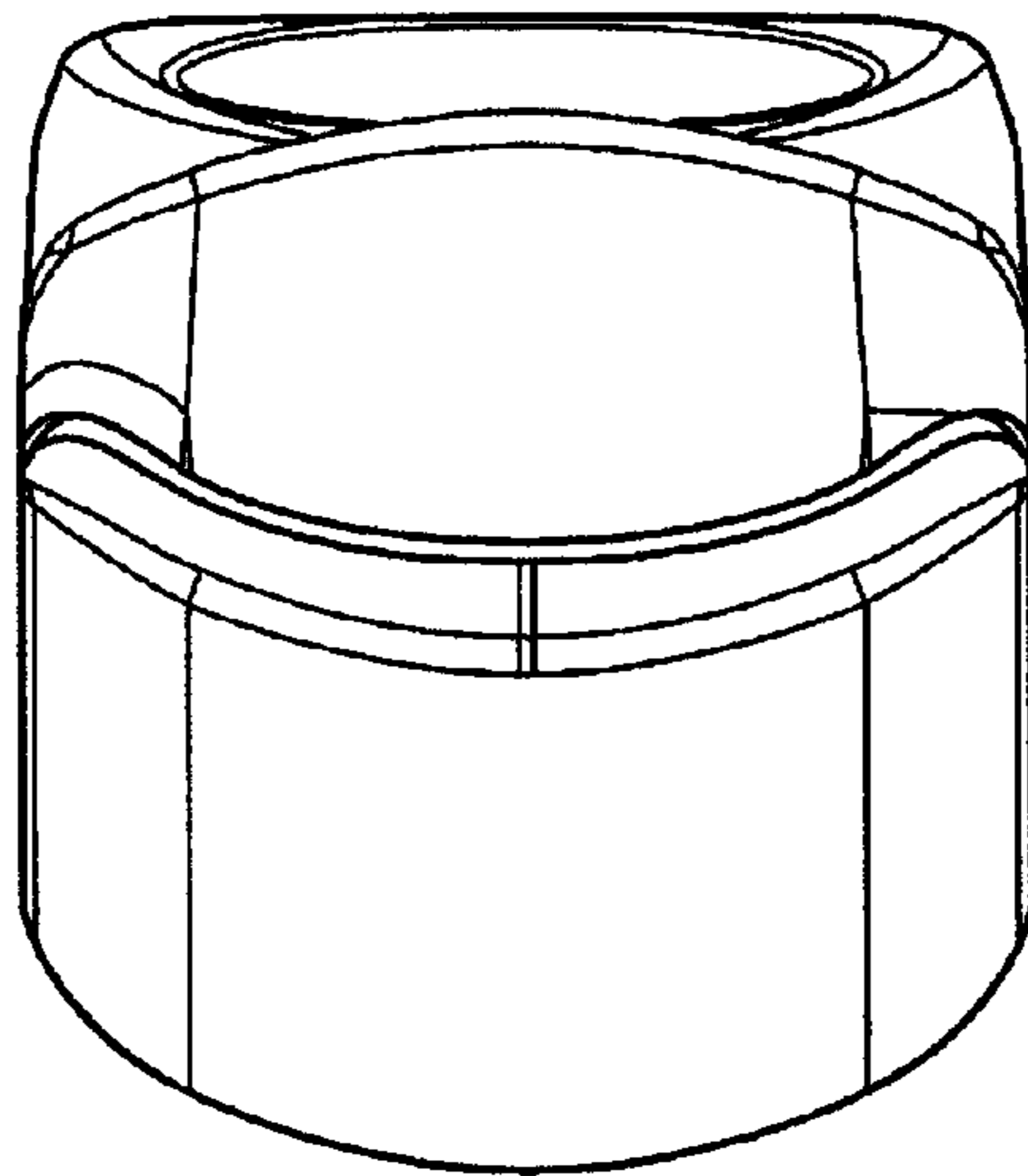


FIG. 12