



US00D530699S

(12) **United States Design Patent**
Lee et al.

(10) **Patent No.:** **US D530,699 S**

(45) **Date of Patent:** **** Oct. 24, 2006**

(54) **MOBILE PHONE**

(75) Inventors: **Ji-Young Lee**, Seongnam-si (KR);
Sang-Min Hyun, Seoul (KR);
Chang-Soo Lee, Incheon (KR)

(73) Assignee: **Samsung Electronics Co., Ltd.**,
Suwon-Si (KR)

(**) **Term:** **14 Years**

(21) **Appl. No.:** **29/241,325**

(22) **Filed:** **Oct. 27, 2005**

(30) **Foreign Application Priority Data**

May 2, 2005 (KR) 30-2005-0014815

(51) **LOC (8) Cl.** **14-03**

(52) **U.S. Cl.** **D14/138**

(58) **Field of Classification Search** D14/137,
D14/138, 147-148, 247-248, 144, 496, 156,
D14/341-347; 379/433.01-433.13; 348/14.02,
348/14.01, 376; 455/575.4, 566, 575.1, 556.1,
455/556.2, 90.3; D21/329, 331, 333; D16/208
See application file for complete search history.

(56) **References Cited**

U.S. PATENT DOCUMENTS

D317,609 S	*	6/1991	Wei	D14/217
D423,493 S	*	4/2000	Hakoda	D14/138
6,415,138 B1	*	7/2002	Sirola et al.	455/90.1
D479,214 S	*	9/2003	Bertrand et al.	D14/138
D484,503 S	*	12/2003	Duarte et al.	D14/346
D491,156 S	*	6/2004	Kawakami et al.	D14/138
D492,323 S	*	6/2004	Wang	D14/496
D493,156 S	*	7/2004	Hamann et al.	D14/138
D494,151 S	*	8/2004	Walliser et al.	D14/138
D496,659 S	*	9/2004	Chien	D14/346
D498,735 S	*	11/2004	Chen et al.	D14/138
D498,737 S	*	11/2004	Park et al.	D14/138
D498,754 S	*	11/2004	Blyth	D14/341
D499,423 S	*	12/2004	Bahroocha et al.	D14/496
D502,932 S	*	3/2005	Minamide	D14/138
D503,699 S	*	4/2005	Lee et al.	D14/138
D505,407 S	*	5/2005	Itano	D14/138

D506,753 S	*	6/2005	Duarte et al.	D14/346
D508,029 S	*	8/2005	Lee	D14/138
D511,528 S	*	11/2005	Yang	D14/496
D512,393 S	*	12/2005	Lee et al.	D14/138
D515,060 S	*	2/2006	Lee et al.	D14/138
D519,998 S	*	5/2006	Park	D14/346
D521,480 S	*	5/2006	Ou et al.	D14/138
2003/0064758 A1	*	4/2003	Mizuta et al.	455/566
2003/0125094 A1	*	7/2003	Hyun et al.	455/566
2005/0014538 A1	*	1/2005	Hyun et al.	455/575.4
2005/0107119 A1	*	5/2005	Lee et al.	455/556.1
2005/0164751 A1	*	7/2005	Nishihara	455/575.1
2005/0245295 A1	*	11/2005	Lee et al.	455/575.1

OTHER PUBLICATIONS

Sagem SG 321i telephone, announced First Quarter 2004, [online], [retrieved on Jun. 5, 2006]. Retrieved from Internet ,URL: <http://www.gsmarena.com>>.*

Motorola E680i telephone, announced Mar. 2005 , [online], [retrieved on Jun. 5, 2006]. Retrieved from Internet ,URL: <http://www.gsmarena.com>>.*

Motorola A1010 telephone, announced First Quarter 2005 , [online], [retrieved on Jun. 5, 2006]. Retrieved from Internet ,URL: <http://www.gsmarena.com>>.*

* cited by examiner

Primary Examiner—Jeffrey Asch

(74) *Attorney, Agent, or Firm*—Staas & Halsey LLP

(57) **CLAIM**

The ornamental design for the mobile phone, as shown and described.

DESCRIPTION

FIG. 1 is a perspective view of the mobile phone showing our design;

FIG. 2 is a front view thereof;

FIG. 3 is a rear view thereof;

FIG. 4 is a left side view thereof;

FIG. 5 is a right side view thereof;

FIG. 6 is a top plan view thereof;

FIG. 7 is a bottom plan view thereof; and,

FIG. 8 is a perspective open view thereof.

1 Claim, 4 Drawing Sheets

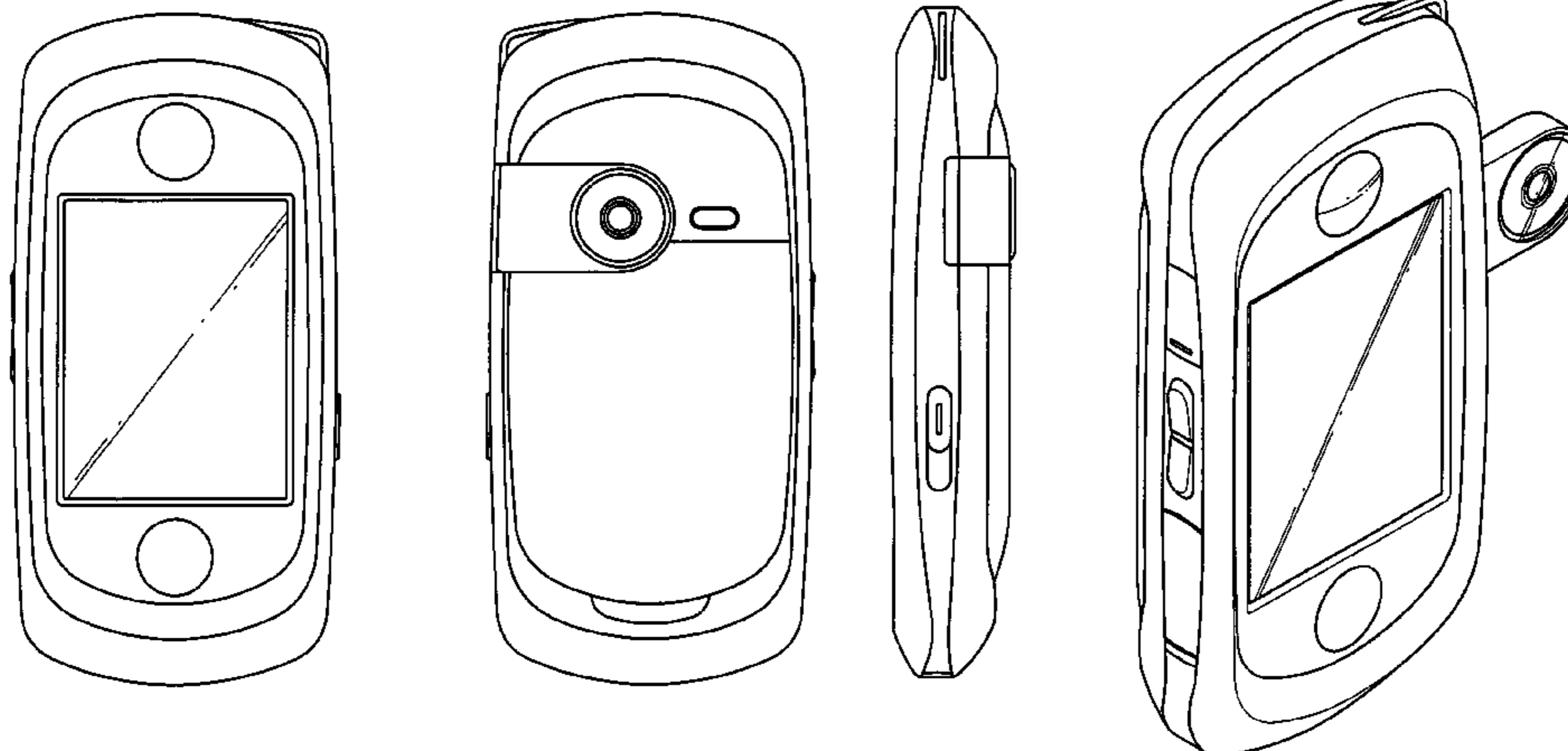


FIG. 1

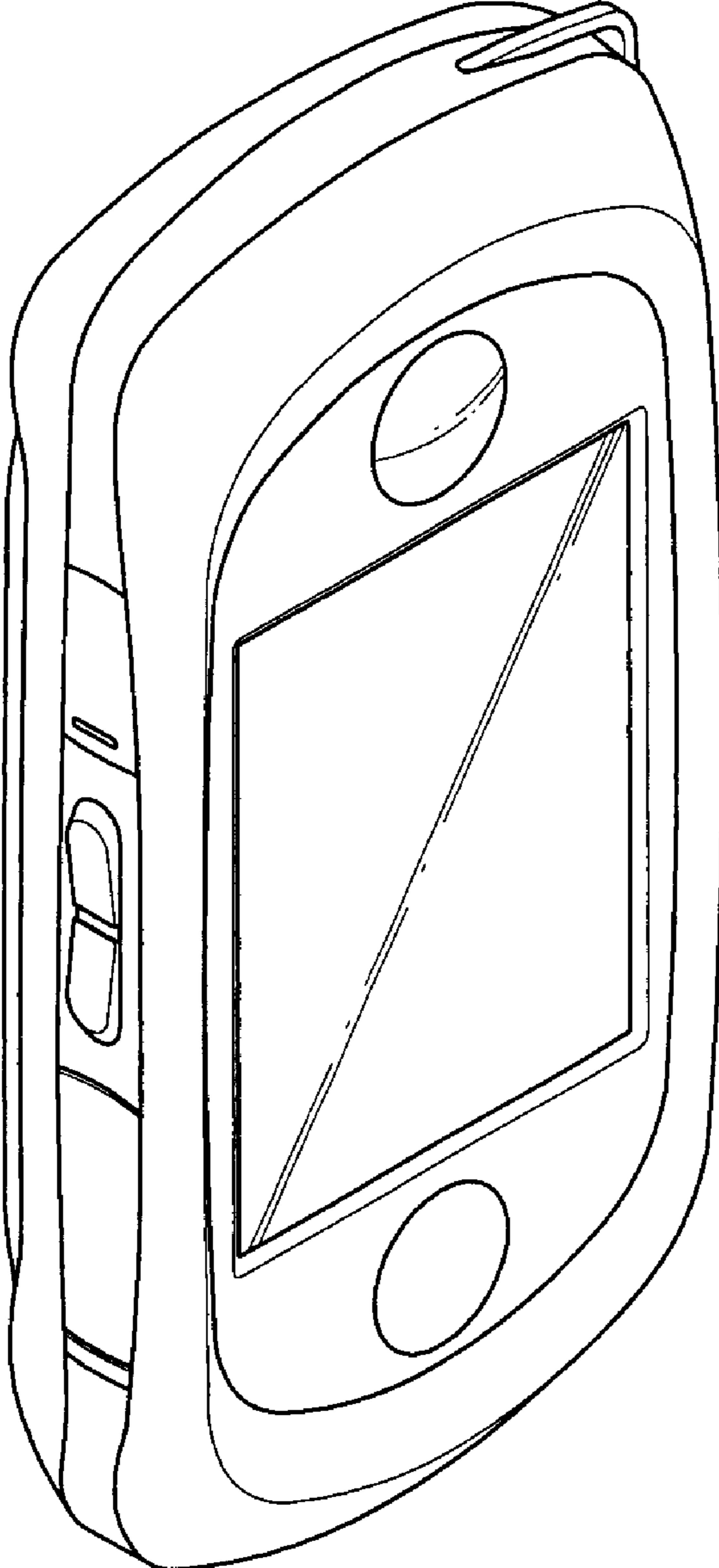


FIG.2

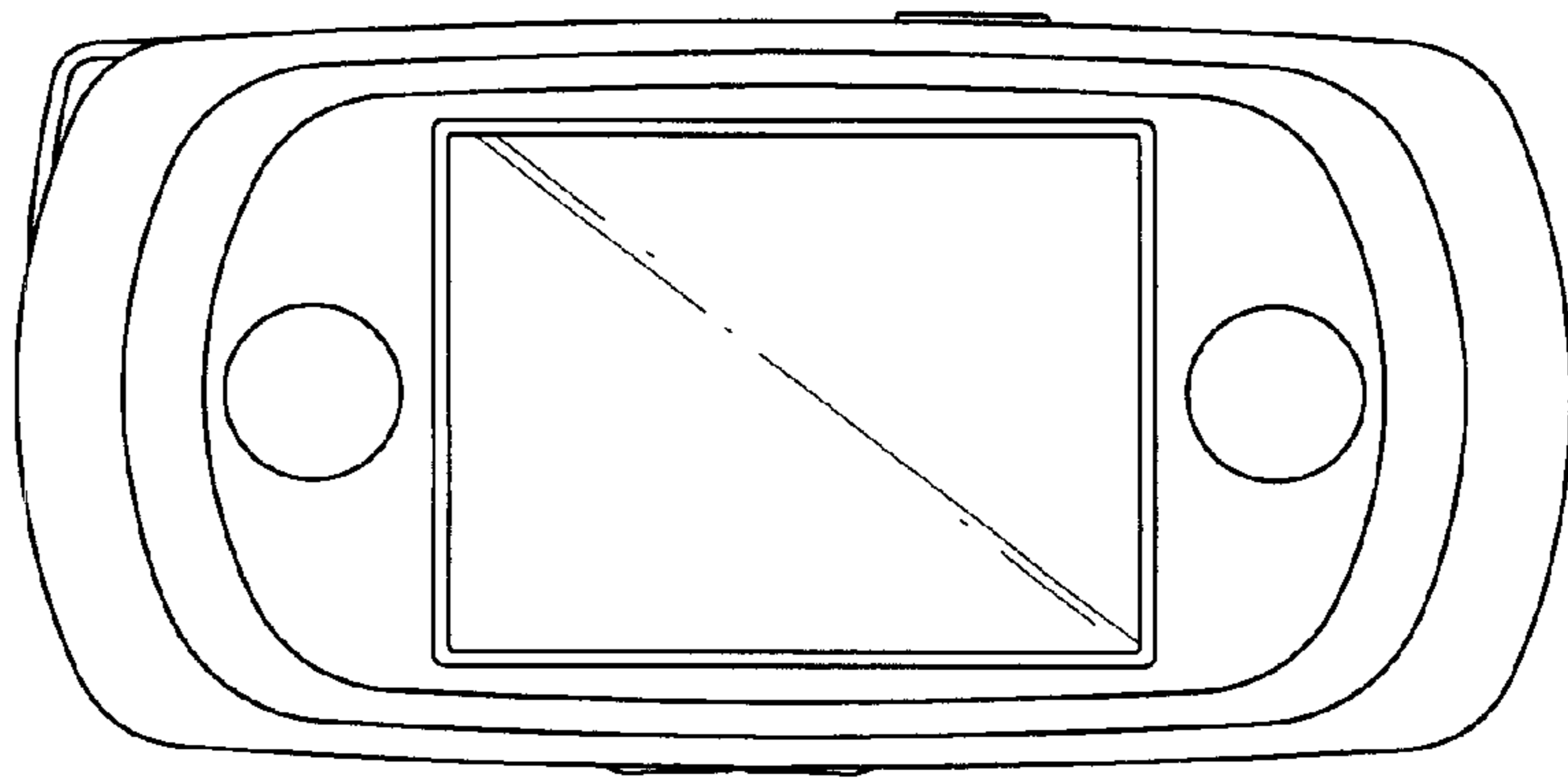


FIG.3

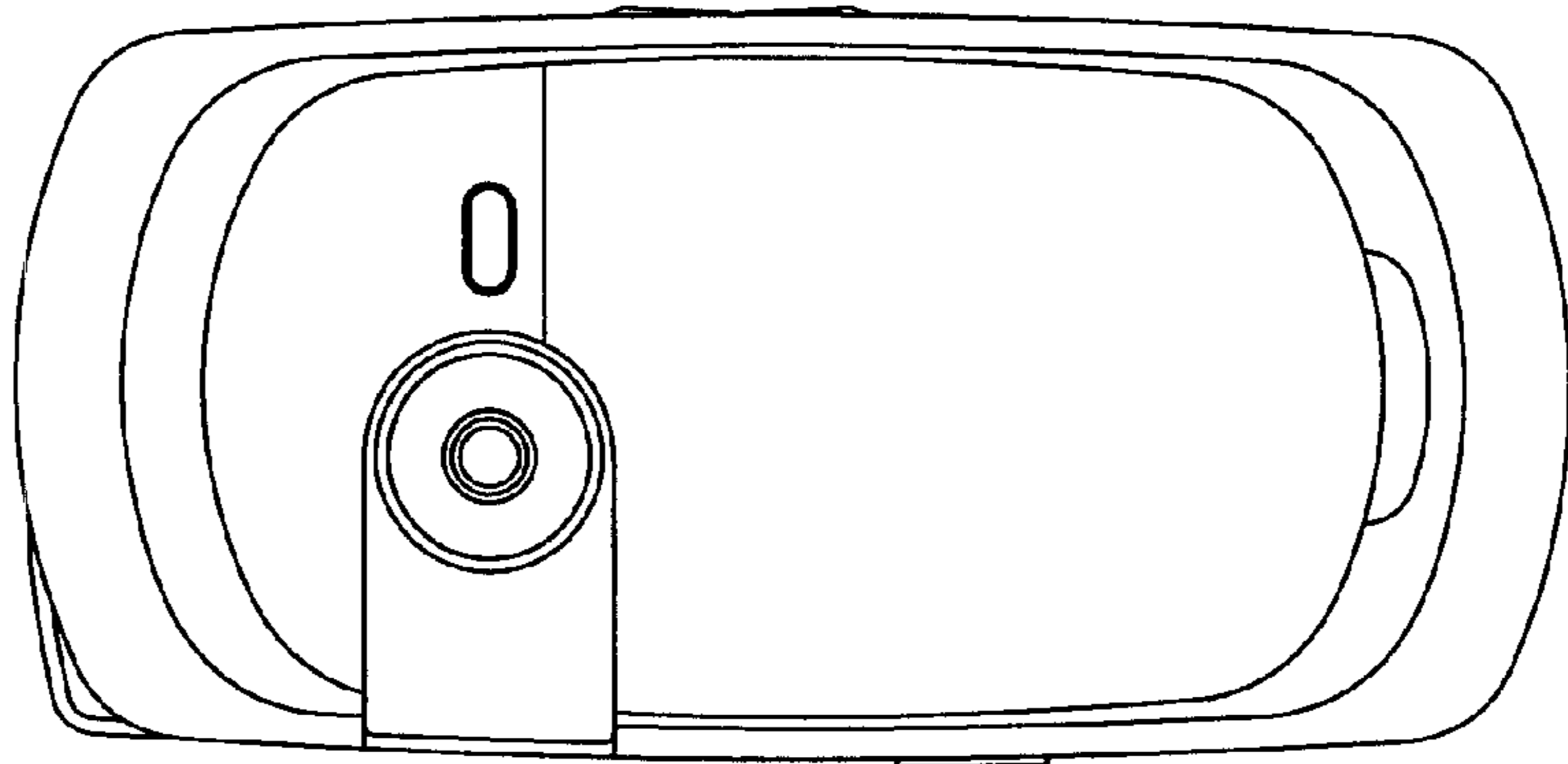


FIG.4

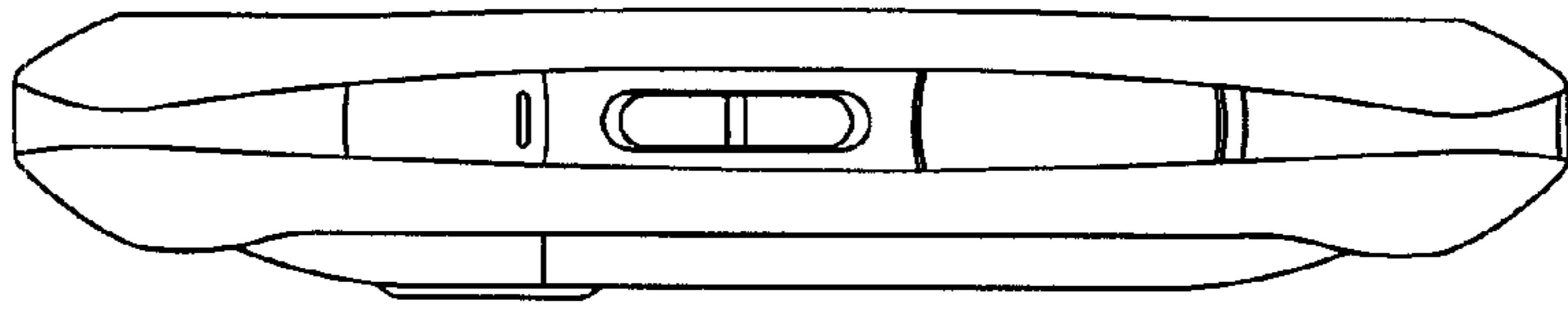


FIG.5

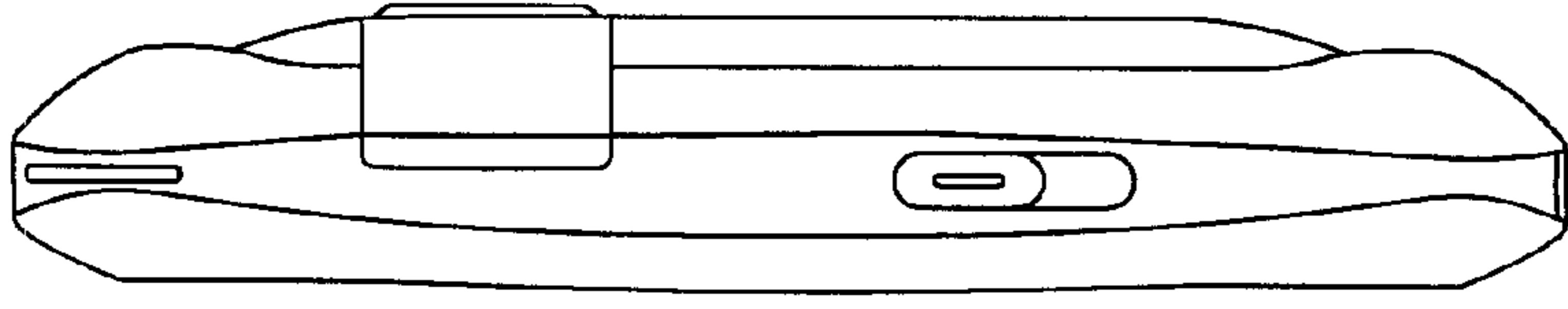


FIG. 6

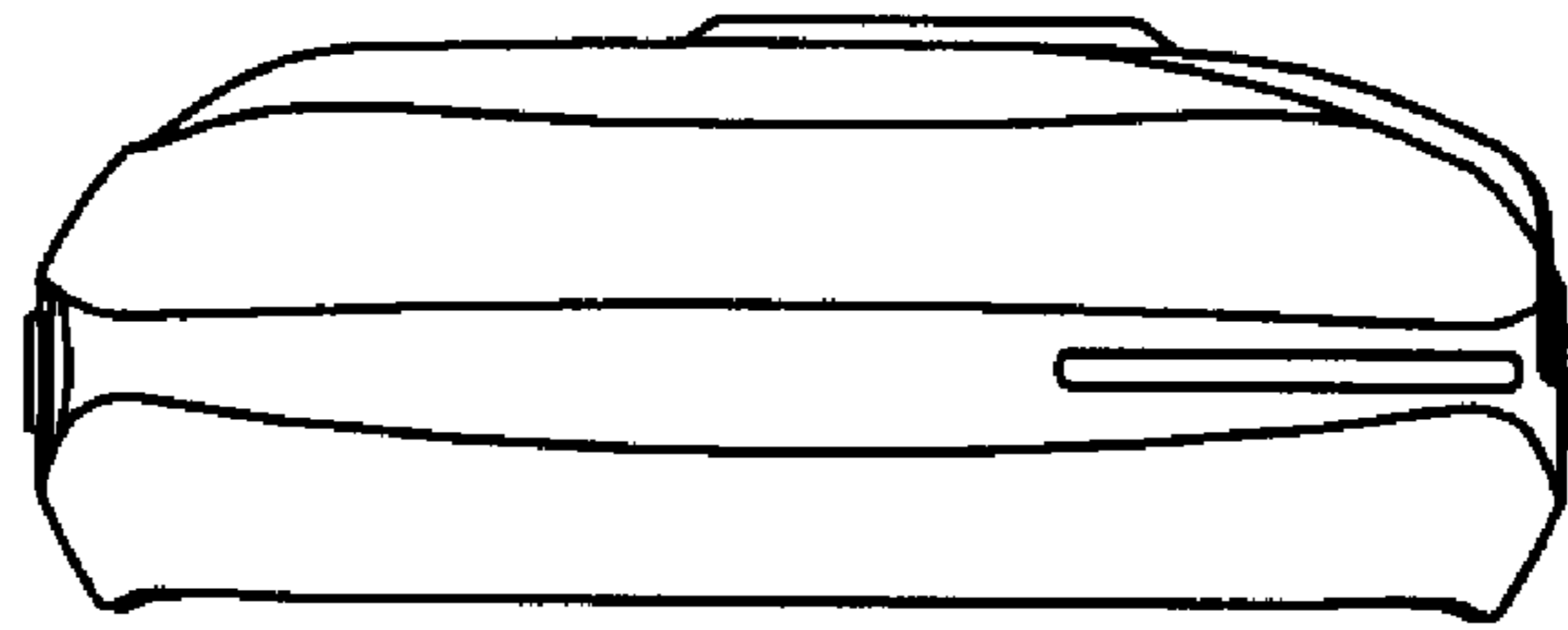


FIG. 7

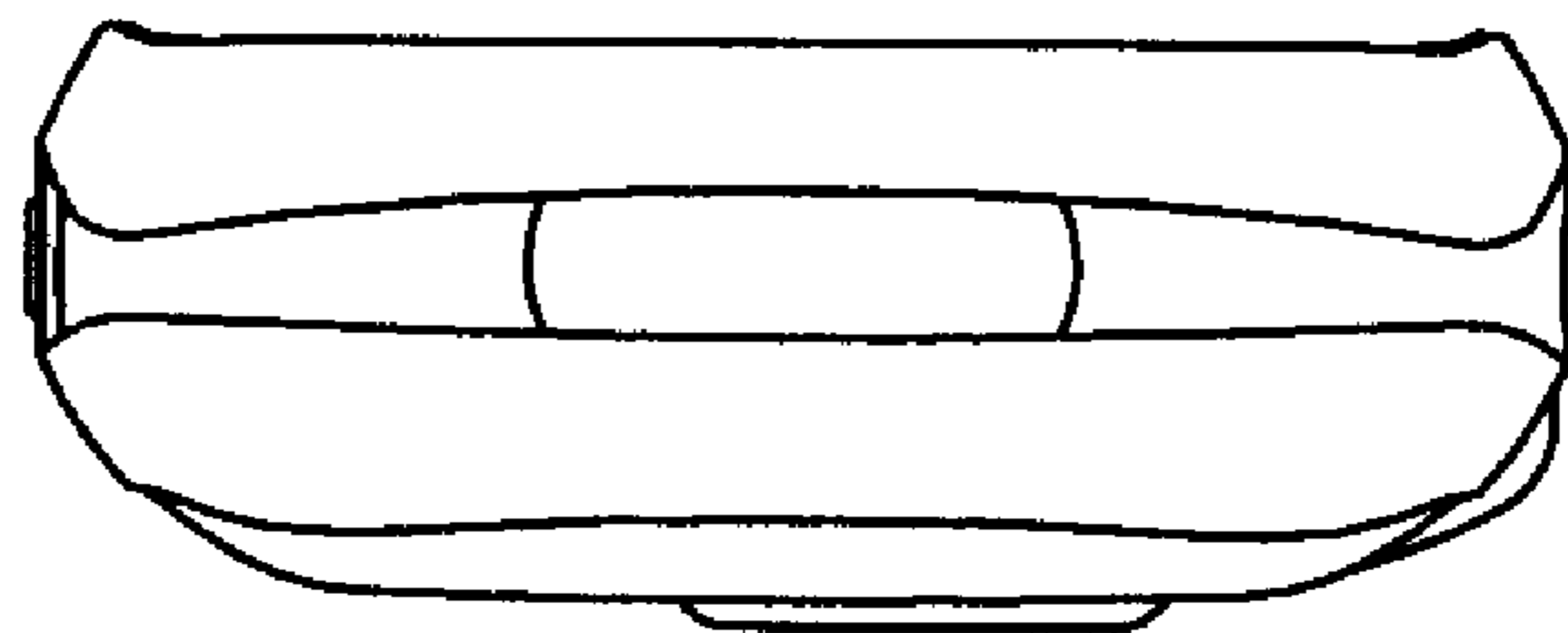


FIG. 8

