



US00D530696S

(12) **United States Design Patent** (10) **Patent No.:** **US D530,696 S**
Lee (45) **Date of Patent:** **** Oct. 24, 2006**

(54) **CELLULAR PHONE**
(75) Inventor: **Young Keun Lee**, Seoul (KR)
(73) Assignee: **Samsung Electronics Co., Ltd.** (KR)
(**) Term: **14 Years**

D496,642 S * 9/2004 Harries et al. D14/138
D496,921 S * 10/2004 Hwang D14/138
D497,892 S * 11/2004 Peng D14/138
D502,159 S * 2/2005 Chan et al. D14/138
D502,160 S * 2/2005 Chen et al. D14/138
D508,473 S * 8/2005 Lee et al. D14/138
D508,902 S * 8/2005 Lee et al. D14/138
6,980,840 B1 * 12/2005 Kim et al. 455/575.4
D513,741 S * 1/2006 Jensfelt D14/138

(21) Appl. No.: **29/218,940**
(22) Filed: **Dec. 9, 2004**

(30) **Foreign Application Priority Data**

Dec. 3, 2004 (KR) 30-2004-0037066

(51) **LOC (8) Cl.** **14-03**
(52) **U.S. Cl.** **D14/138**
(58) **Field of Classification Search** D14/137,
D14/138, 147-148, 247-248, 144, 341-347;
379/433.01-433.13; 455/575.4, 566, 575.1,
455/556.1, 556.2, 90.3; D16/208
See application file for complete search history.

(56) **References Cited**

U.S. PATENT DOCUMENTS

D301,034 S * 5/1989 Fujita et al. D14/138
D312,628 S * 12/1990 Yokoi et al. D14/346
D330,024 S * 10/1992 Peersmann D14/147
5,197,091 A * 3/1993 Takagi et al. 455/575.7
D350,744 S * 9/1994 Hino D14/138
D373,127 S * 8/1996 Godee et al. D14/248
D385,874 S * 11/1997 Eckhardt et al. D14/138
D391,567 S * 3/1998 Nagele et al. D14/138
D396,464 S * 7/1998 Bradford D14/138
D397,706 S * 9/1998 Shibata D16/202
D398,005 S * 9/1998 Lee D14/138
D419,994 S * 2/2000 Curtis et al. D14/138
D441,733 S * 5/2001 Do et al. D14/138
D455,139 S * 4/2002 Roberts D14/138
D469,748 S * 2/2003 Ribeiro et al. D14/138
D478,883 S * 8/2003 Jensfelt et al. D14/138
D485,819 S * 1/2004 Ahlgren D14/138

OTHER PUBLICATIONS

Samsung Z150 telephone, announced Feb. 2006, [online],
[retrieved on Feb. 26, 2006]; Retrieved from Internet,
<URL:http://www.gsmarena.com>.*

* cited by examiner

Primary Examiner—Jeffrey Asch
(74) *Attorney, Agent, or Firm*—Irving Keschner

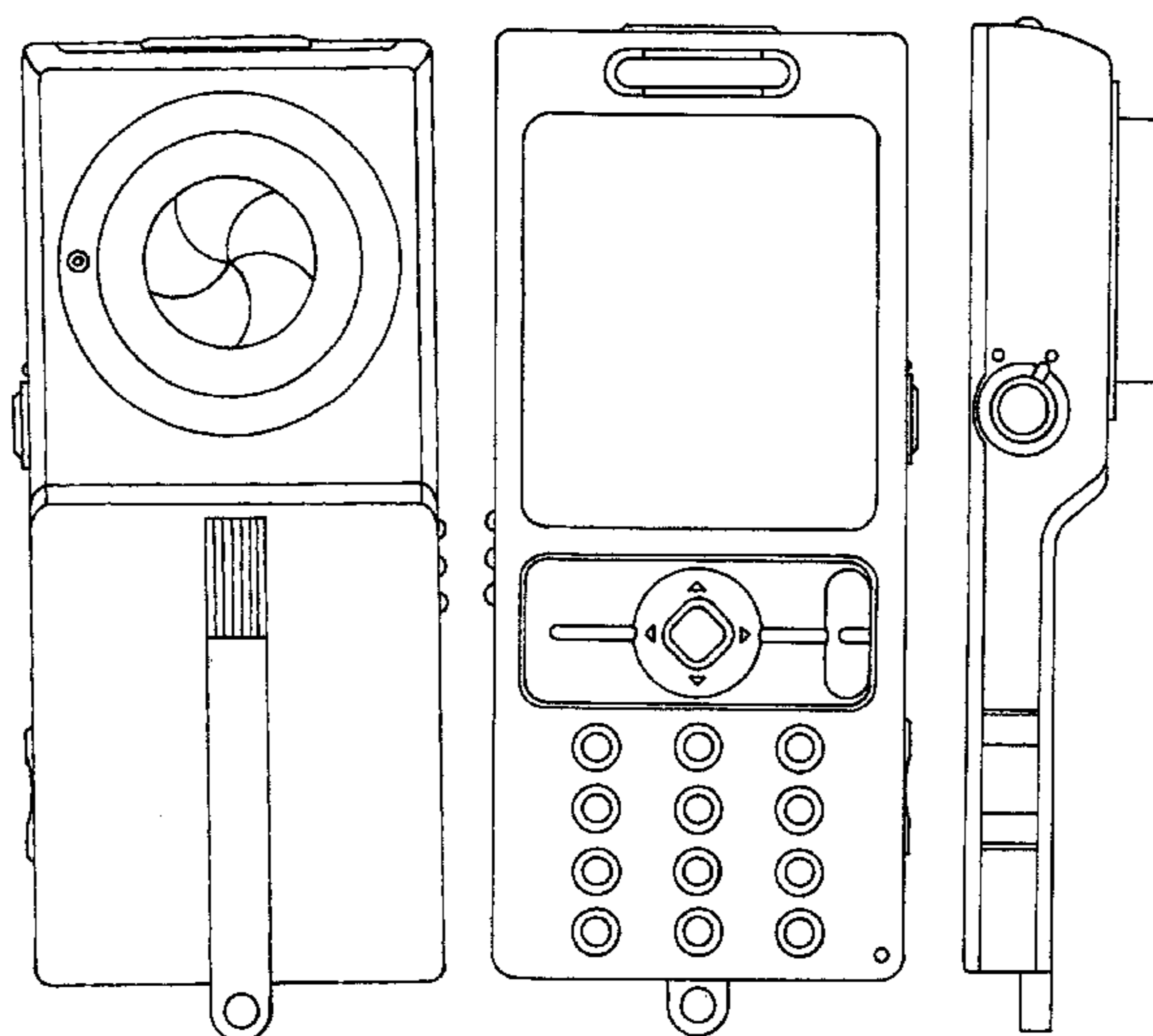
(57) **CLAIM**

The ornamental design for cellular phone, as shown.

DESCRIPTION

FIG. 1 is a front perspective view of the ornamental design of the present invention;
FIG. 2 is a front elevational view of the ornamental design of the present invention;
FIG. 3 is a rear elevational view of the ornamental design of the present invention;
FIG. 4 is a left side elevational view of the ornamental design of the present invention;
FIG. 5 is a right side elevational view of the ornamental design of the present invention;
FIG. 6 is a top plan view of the ornamental design of the present invention;
FIG. 7 is a bottom view of the ornamental design of the present invention; and,
FIG. 8 is a rear perspective view of the ornamental design of the present invention.

1 Claim, 4 Drawing Sheets



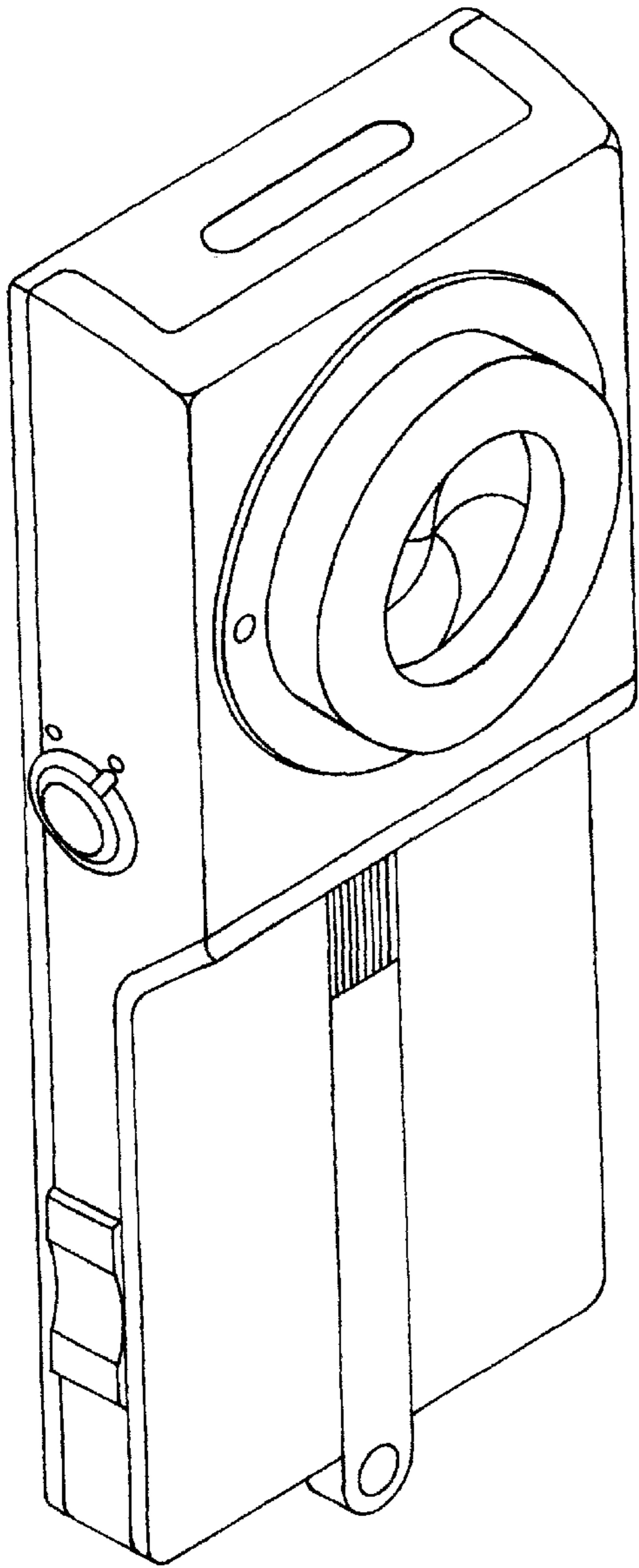


FIG. 1

FIG. 2

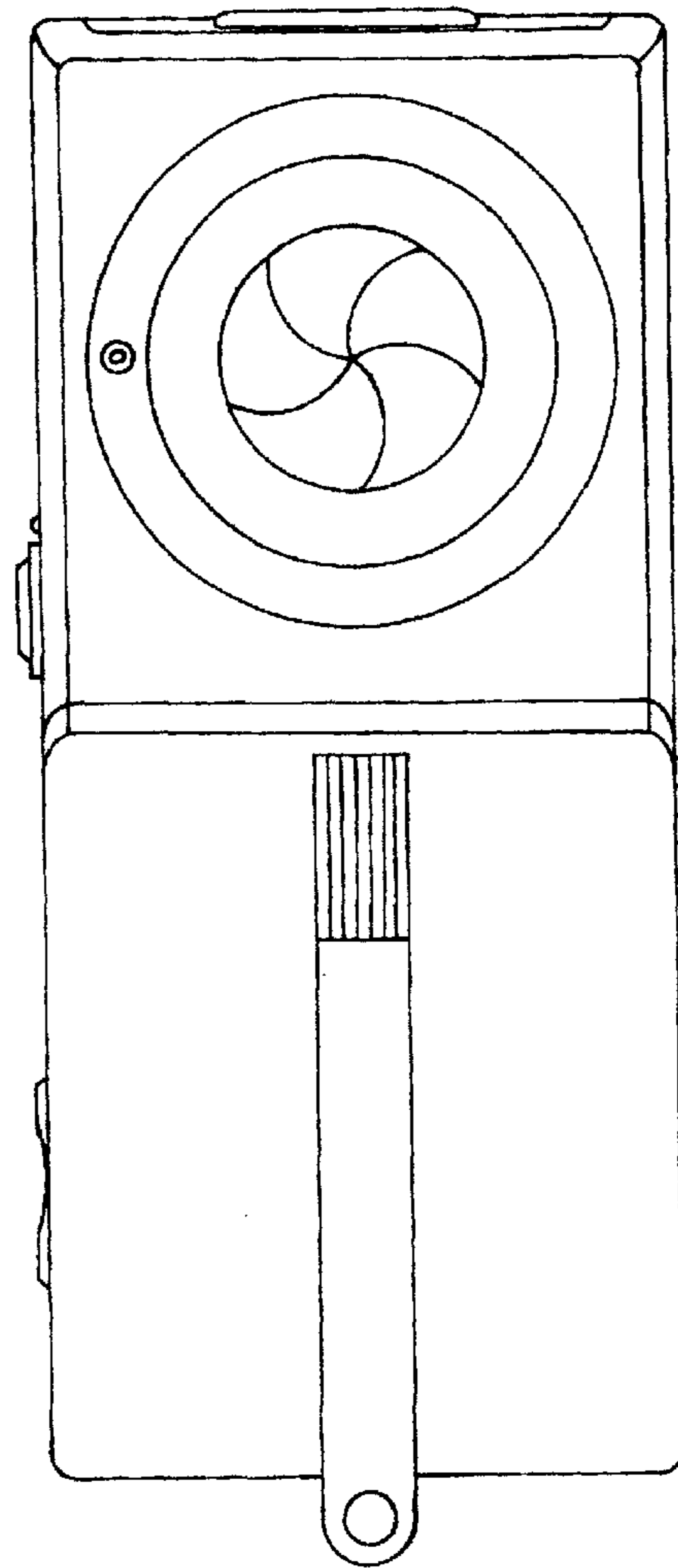


FIG. 3

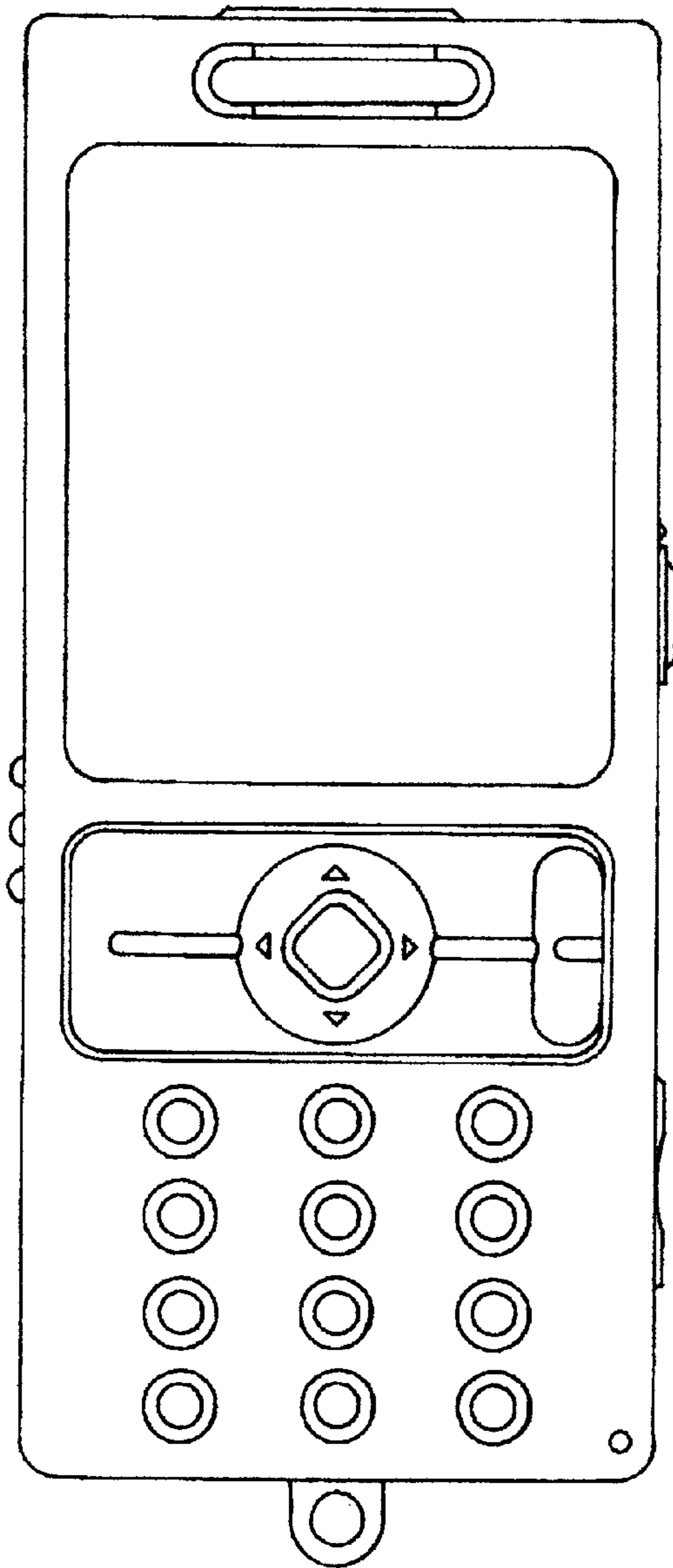


FIG. 4

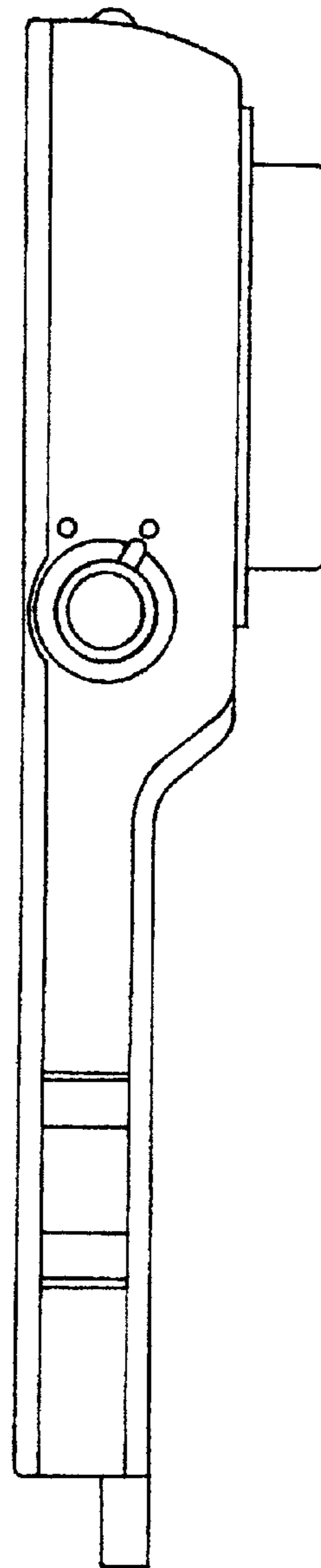


FIG. 5

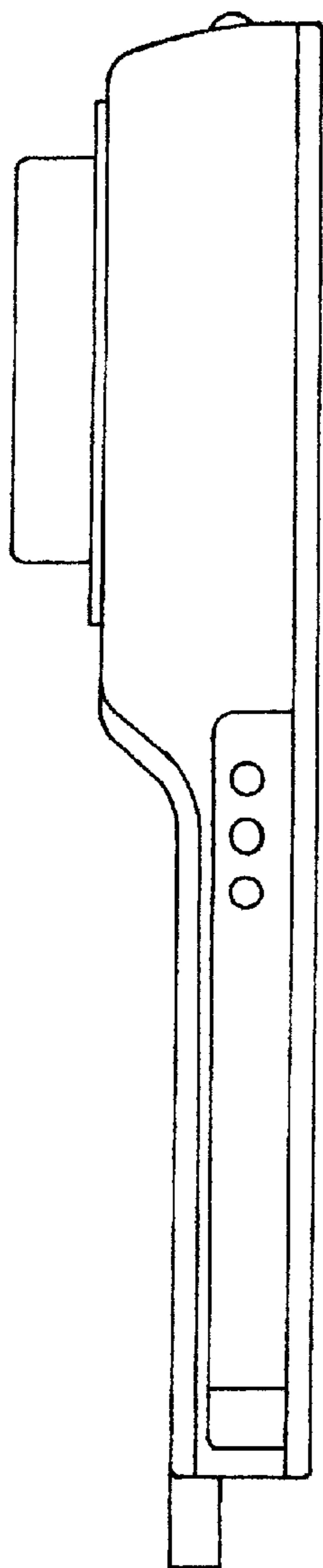


FIG. 6

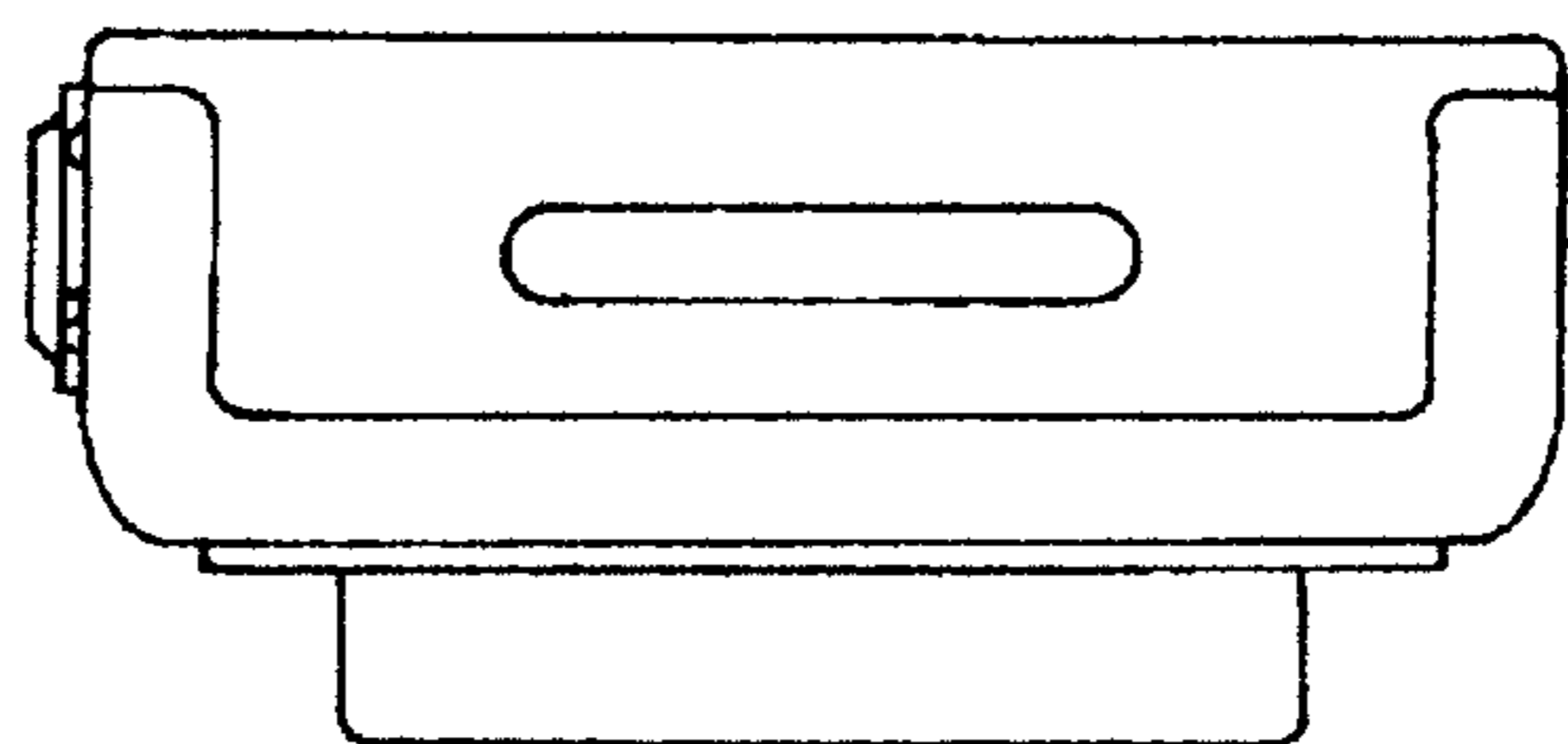


FIG. 7

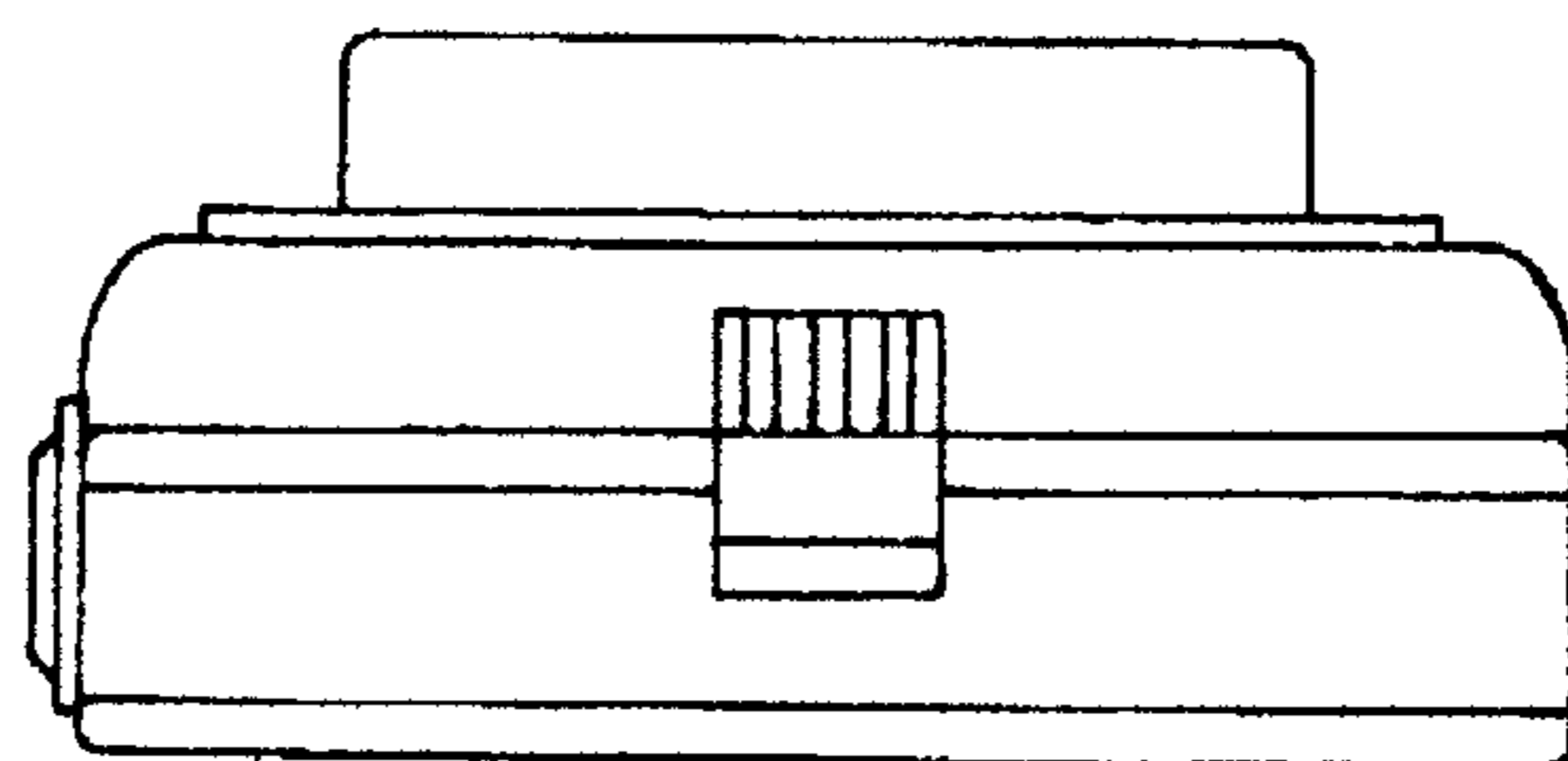


FIG. 8

