

US00D530691S

(12) **United States Design Patent**
Moriya et al.

(10) **Patent No.:** **US D530,691 S**

(45) **Date of Patent:** **** Oct. 24, 2006**

(54) **DIGITAL VIDEO DISC RECORDER WITH
HARD DISK RECORDER**

(75) Inventors: **Toshiyuki Moriya**, Tokorozawa (JP);
Minoru Ikeda, Inagi (JP); **Hidenori
Shinohara**, Hitachinaka (JP); **Yoshihiro
Iwama**, Kokubunji (JP)

(73) Assignee: **Hitachi, Ltd.**, Tokyo (JP)

(**) Term: **14 Years**

(21) Appl. No.: **29/232,804**

(22) Filed: **Jun. 24, 2005**

(30) **Foreign Application Priority Data**

Dec. 28, 2004 (JP) 2004-040130

(51) **LOC (8) Cl.** **14-01**

(52) **U.S. Cl.** **D14/136; D14/168**

(58) **Field of Classification Search** D14/135-136,
D14/156-157, 167-168, 193-198, 188, 357,
D14/445; 360/99.02, 99.07; 369/75.11, 75.21,
369/77.21, 77.11; 720/612, 619, 647, 601,
720/655; 455/344, 347-351

See application file for complete search history.

(56) **References Cited**

U.S. PATENT DOCUMENTS

5,172,360 A * 12/1992 Decoster 720/601

D357,235 S * 4/1995 Takahashi D14/357
D429,706 S * 8/2000 Miyazaki D14/135
D472,534 S * 4/2003 Ueno et al. D14/136
D483,728 S * 12/2003 Kim D14/136

* cited by examiner

Primary Examiner—Nanda Bondade

(74) *Attorney, Agent, or Firm*—Antonelli, Terry, Stout and
Kraus, LLP

(57) **CLAIM**

We claim the ornamental design for a digital video disc
recorder with hard disk recorder, as shown.

DESCRIPTION

FIG. 1 is a front, top and right side perspective view of a
digital video disc recorder with hard disk recorder showing
our new design;

FIG. 2 is a front elevational view thereof;

FIG. 3 is a rear elevational view thereof;

FIG. 4 is a right side elevational view thereof;

FIG. 5 is a left side elevational view thereof;

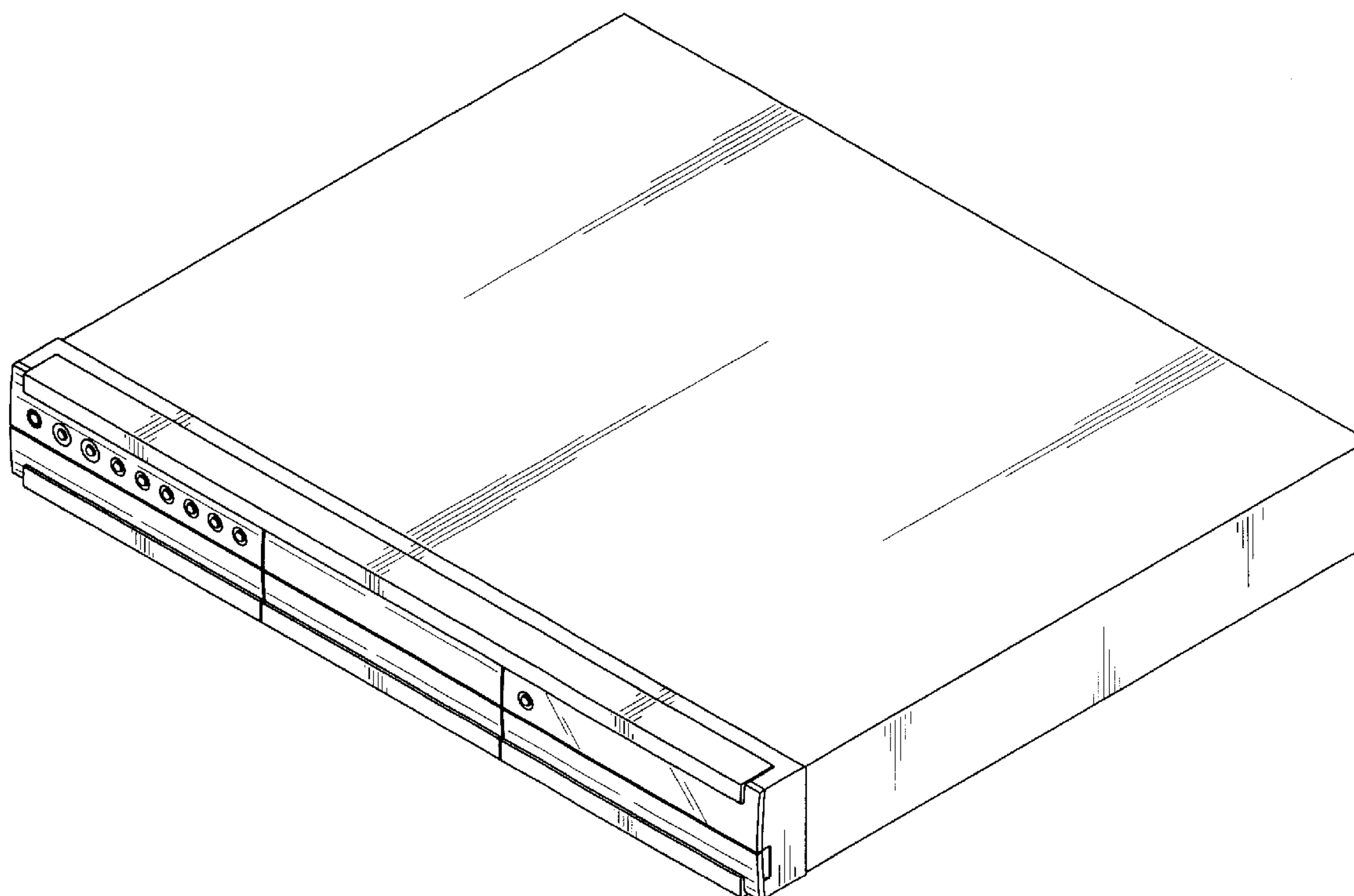
FIG. 6 is a top plan view thereof;

FIG. 7 is a bottom plan view thereof;

FIG. 8 is a front elevational view showing the condition with
the open door thereof; and,

FIG. 9 is a perspective view showing the condition with the
disc tray drawn out.

1 Claim, 7 Drawing Sheets



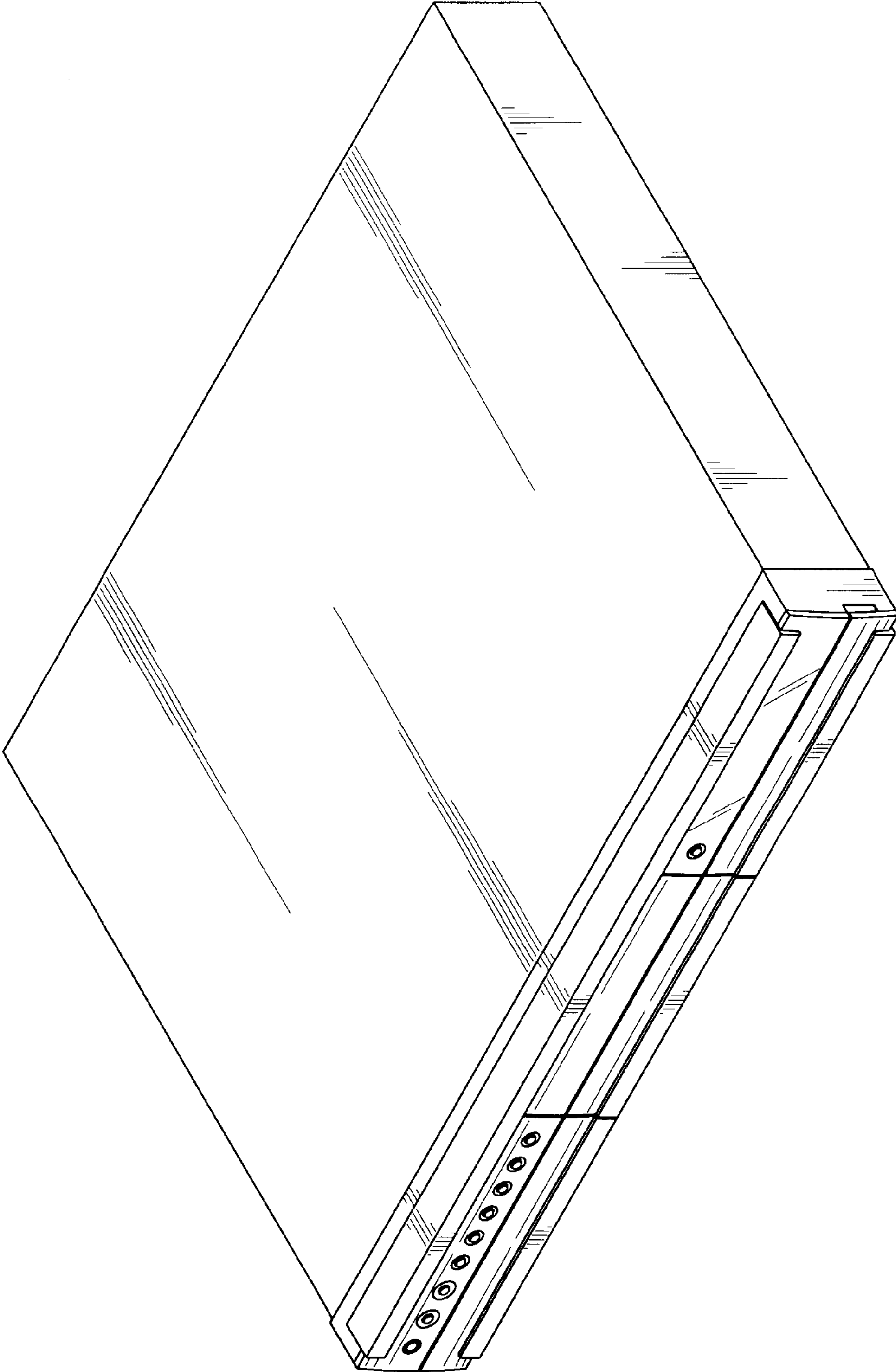


FIG. 1



FIG. 2

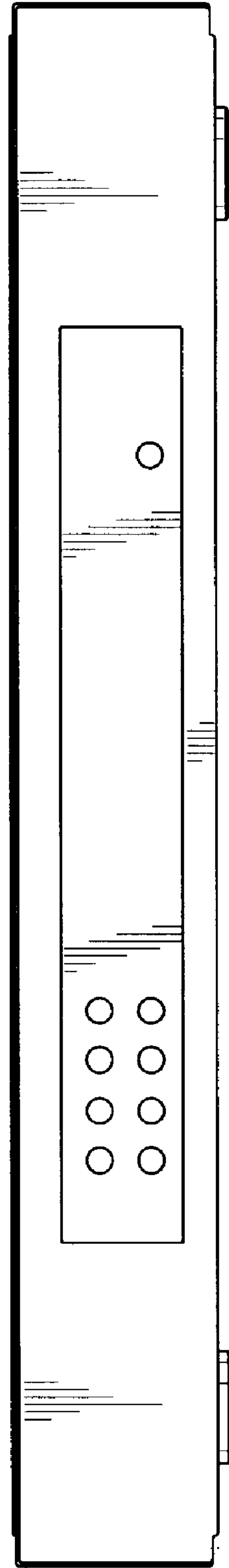


FIG. 3

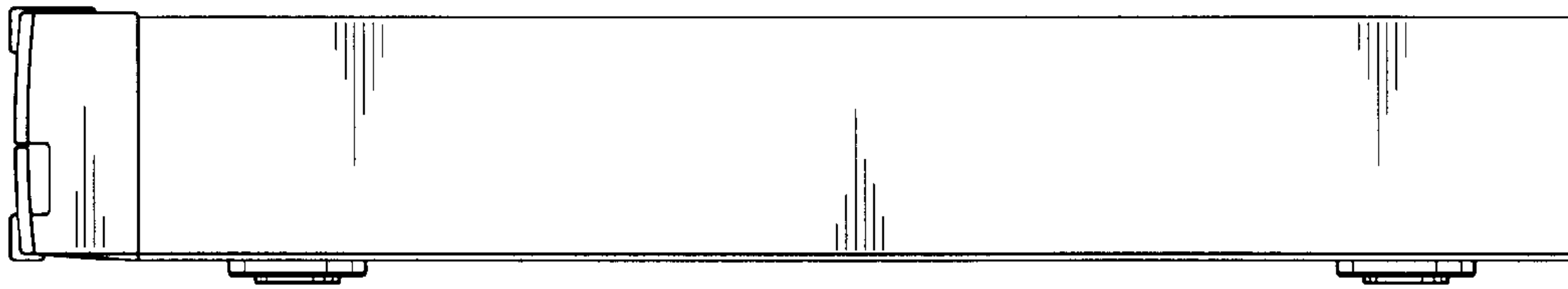


FIG. 4

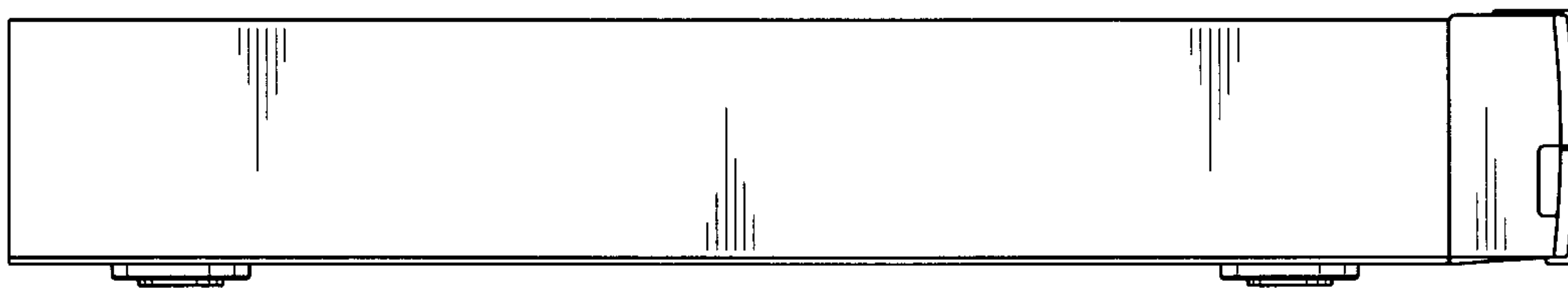


FIG. 5

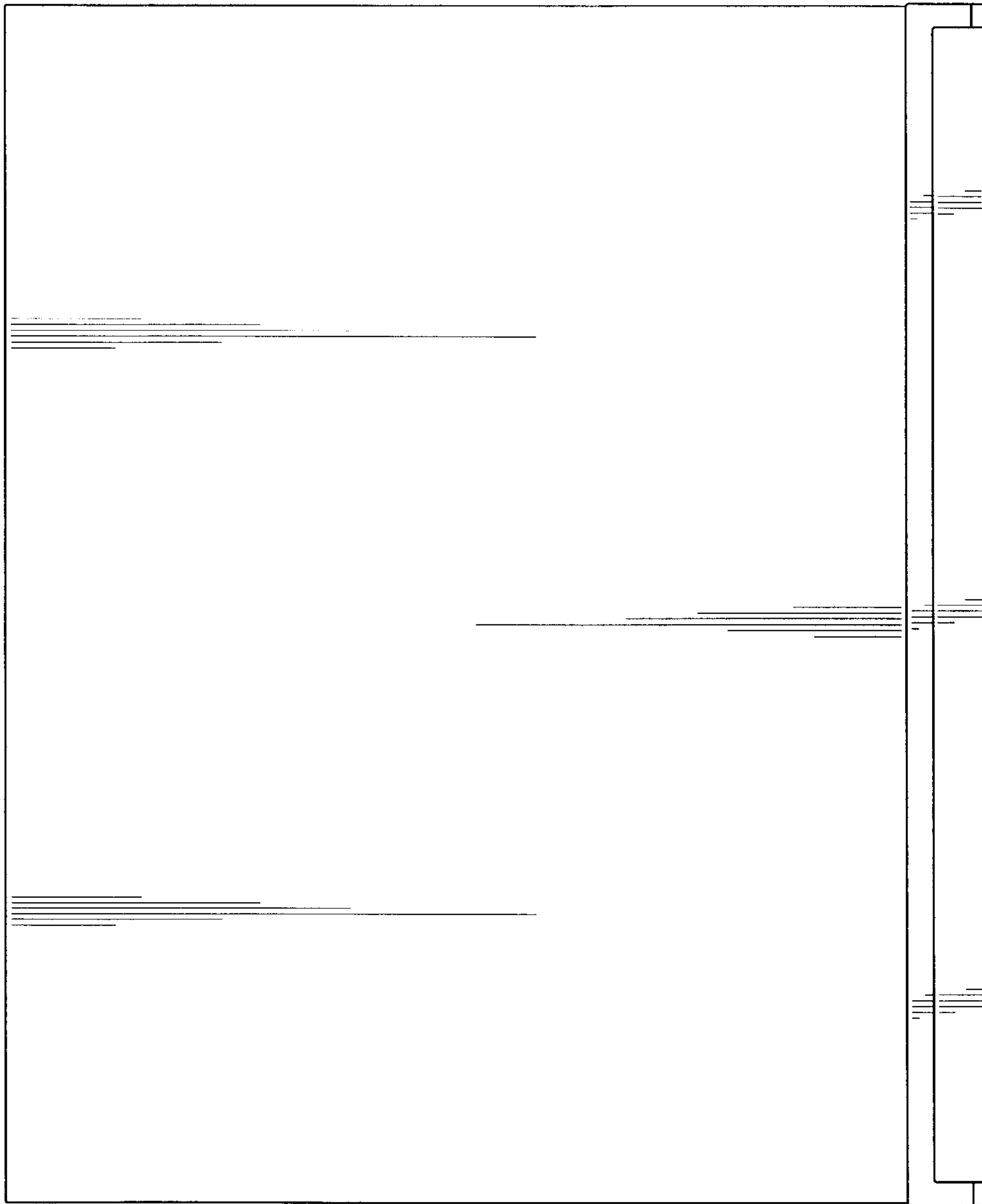


FIG. 6

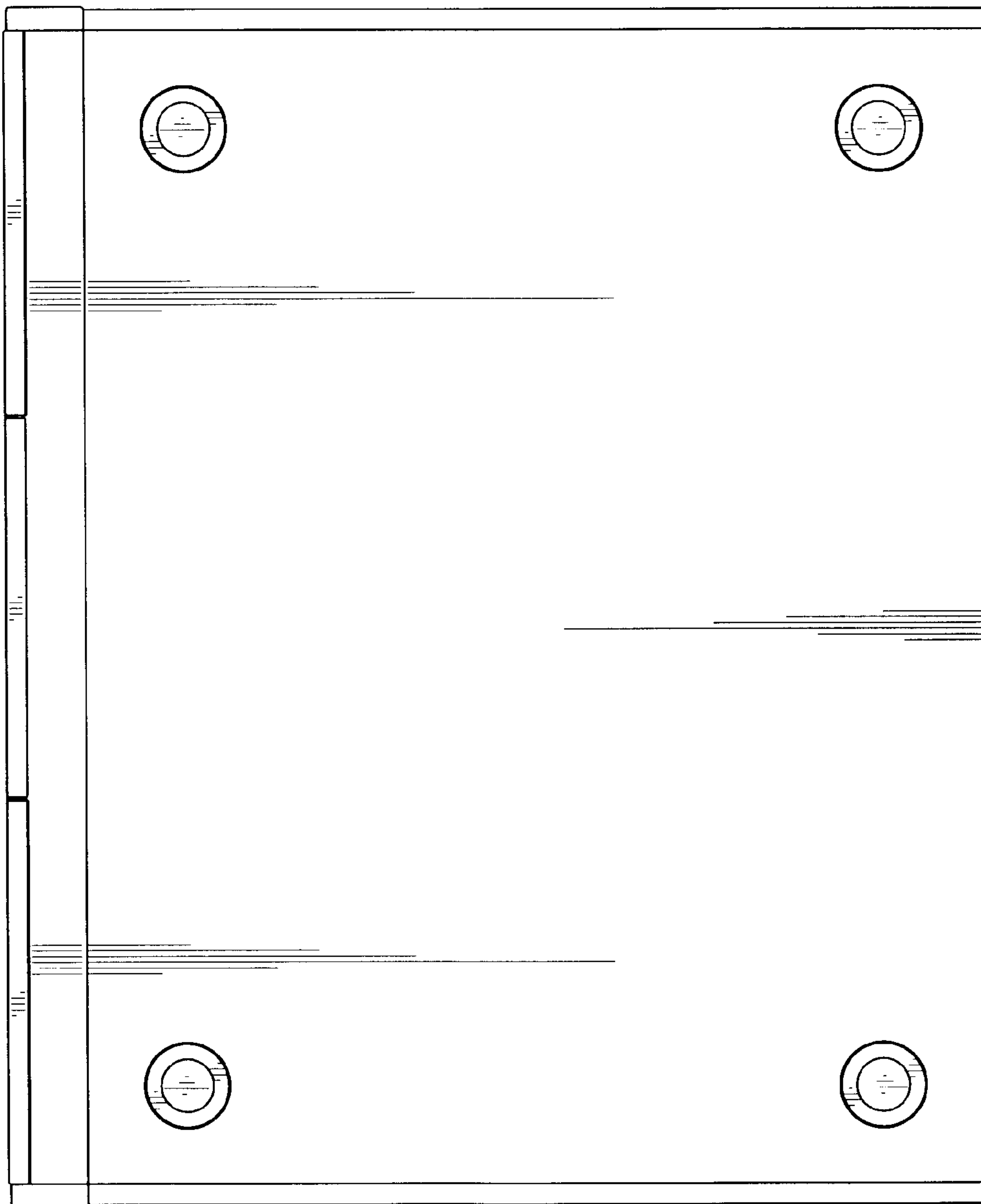


FIG. 7



FIG. 8

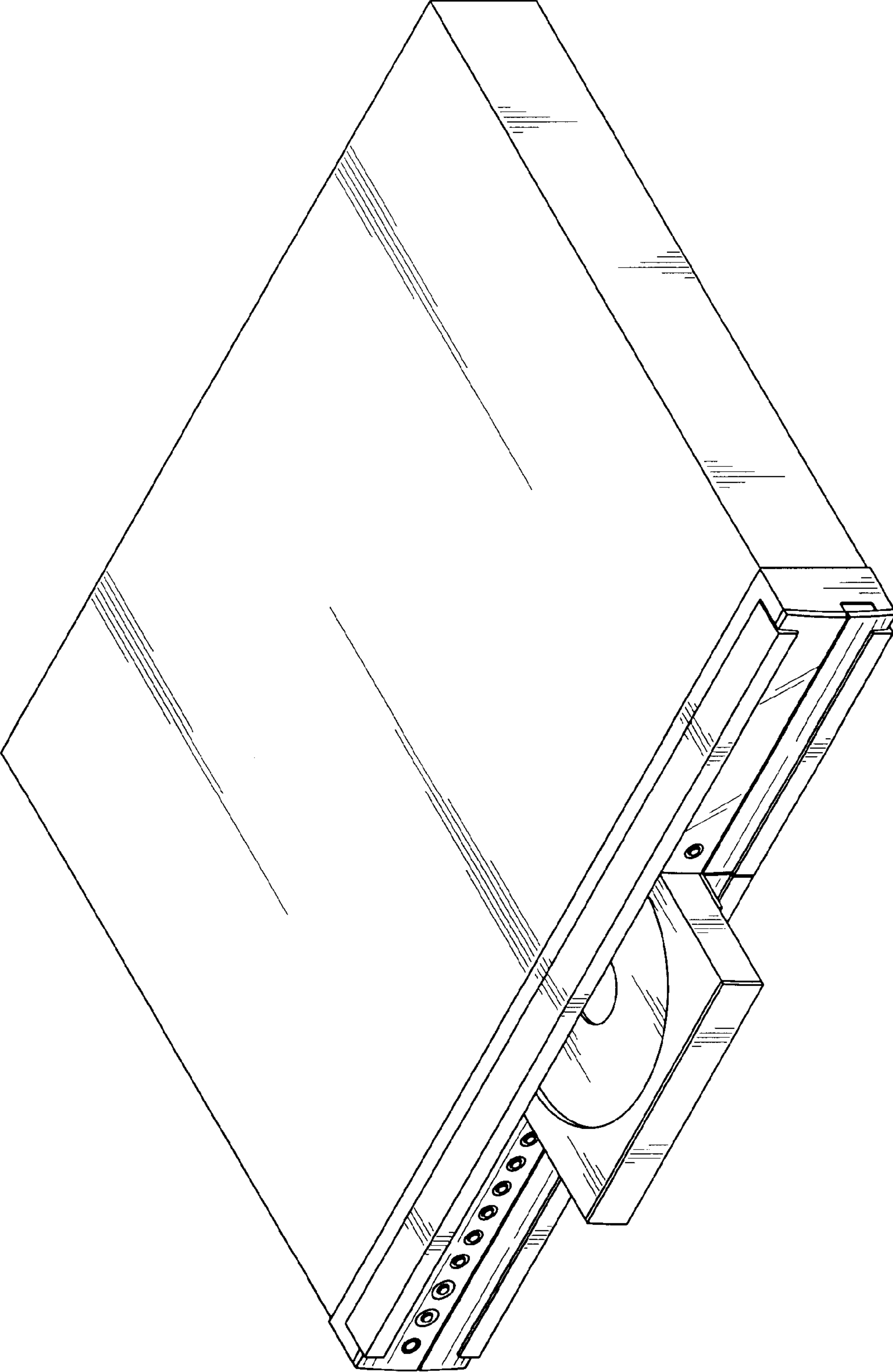


FIG. 9